



US00D703005S

(12) **United States Design Patent**
Tiemann

(10) **Patent No.:** **US D703,005 S**
(45) **Date of Patent:** **** Apr. 22, 2014**

(54) **DRAWER FOR HOLDING BEVERAGE CARTRIDGES**

312/323, 330.1, 334.1, 334.27, 408,
312/410, 334.44; 220/485

See application file for complete search history.

(71) Applicant: **Nifty Home Products, Inc.**, Madison
Lake, MN (US)

(56) **References Cited**

(72) Inventor: **Frank R. Tiemann**, Madison Lake, MN
(US)

U.S. PATENT DOCUMENTS

(73) Assignee: **Nifty Home Products, Inc.**, Madison
Lake, MN (US)

921,694	A	5/1909	Hall	
2,985,333	A *	5/1961	Kirkman	220/533
3,421,634	A *	1/1969	Huth	211/123
5,242,223	A *	9/1993	Koves	312/348.3
D433,711	S	11/2000	Andujar	
6,840,593	B2	1/2005	Remmers	
D525,488	S	7/2006	McWhorter	
D547,094	S	7/2007	Klein et al.	
D583,172	S *	12/2008	Cassel	D6/510
D599,589	S *	9/2009	Cassel	D6/510
D628,444	S	12/2010	Snider	
D628,445	S	12/2010	Snider	
D635,363	S	4/2011	Hertaus	

(**) Term: **14 Years**

(21) Appl. No.: **29/466,309**

(22) Filed: **Sep. 6, 2013**

(51) **LOC (10) Cl.** **07-06**

(52) **U.S. Cl.**
USPC **D7/600.1**

(58) **Field of Classification Search**
USPC D7/600, 600.1-600.4, 392, 397, 589,
D7/590, 596, 597, 601, 602, 609, 610, 612,
D7/614, 615, 620-623, 628-632, 637-641,
D7/701-708, 708.1, 709, 710;
D3/304-315, 317, 319, 302; D6/559,
D6/560, 566, 567, 570, 571, 573, 574, 512,
D6/705, 705.1, 705.2, 705.3, 705.4, 705.5,
D6/705.6, 705.7, 706, 707, 707.1, 707.19,
D6/707.15, 627, 628, 629, 631, 654,
D6/654.11, 654.12, 654.13, 654.14,
D6/654.15, 654.18, 654.19, 654.2, 654.22,
D6/654.21, 655, 655.11, 655.12, 655.13,
D6/655.14, 655.15, 655.17, 655.18,
D6/655.19, 655.2, 655.22, 655.23, 691.9,
D6/692.4, 692.5, 693.1, 693.2; D19/75,
D19/77, 78, 83, 86, 92; 206/511, 557, 560,
206/510, 513, 503; 211/1, 10, 13.1, 69.1,
211/69.5, 70, 70.1, 70.6, 74, 77, 78, 85.1,
211/85.2, 85.4, 85.5, 85.31, 126.9, 126.11,
211/126.15, 129.1, 131.1, 133.2, 133.4,
211/134, 133.5, 133.6, 181.1, 182;

(Continued)

Primary Examiner — Ian Simmons

Assistant Examiner — Shannon Morgan

(74) *Attorney, Agent, or Firm* — Thomas J. Nikolai; Nikolai
& Mersereau, P.A.

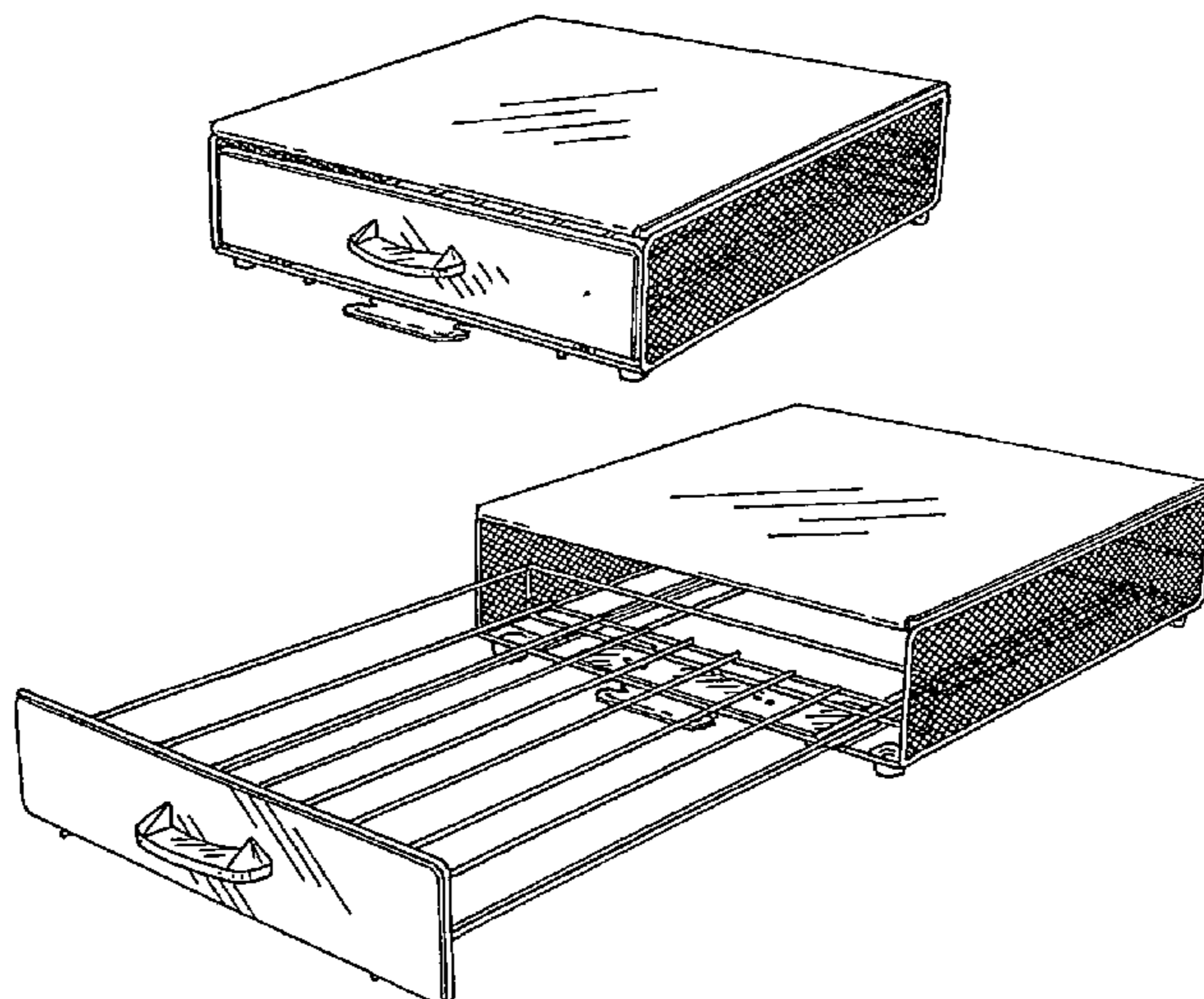
(57) **CLAIM**

The ornamental design for a drawer for holding beverage
cartridges, as shown and described.

DESCRIPTION

FIG. 1 is a front, right perspective view of the drawer for
holding beverage cartridges showing my new design;
FIG. 2 is a front, right perspective view shown open thereof;
FIG. 3 is a top plan view thereof;
FIG. 4 is a front elevational view thereof;
FIG. 5 is a left side elevational view thereof;
FIG. 6 is a rear elevational view thereof;
FIG. 7 is a right side elevational view thereof; and,
FIG. 8 is a bottom plan view thereof.

1 Claim, 5 Drawing Sheets



(56)

References Cited

U.S. PATENT DOCUMENTS

D635,765 S	4/2011	Hertaus	D676,715 S *	2/2013	Tsai	D7/600.1
D643,686 S	8/2011	Tiemann	D679,954 S *	4/2013	Snider	D7/600.1
D644,069 S	8/2011	Tiemann	D680,380 S	4/2013	Tiemann	
D659,481 S	5/2012	Tiemann	D682,039 S	5/2013	Tiemann	
D660,088 S	5/2012	Tiemann	D682,040 S	5/2013	Tiemann	
D660,652 S	5/2012	Tiemann	D686,464 S	7/2013	Tiemann	
D661,951 S	6/2012	Tiemann	D691,858 S	10/2013	Tiemann	
D665,230 S *	8/2012	Snider	2005/0205578 A1	9/2005	Yeh	
		D7/600.1	2005/0217136 A1 *	10/2005	Blankenship et al.	34/406
			2007/0273258 A1 *	11/2007	Ernst	312/348.3

* cited by examiner

FIG. 1

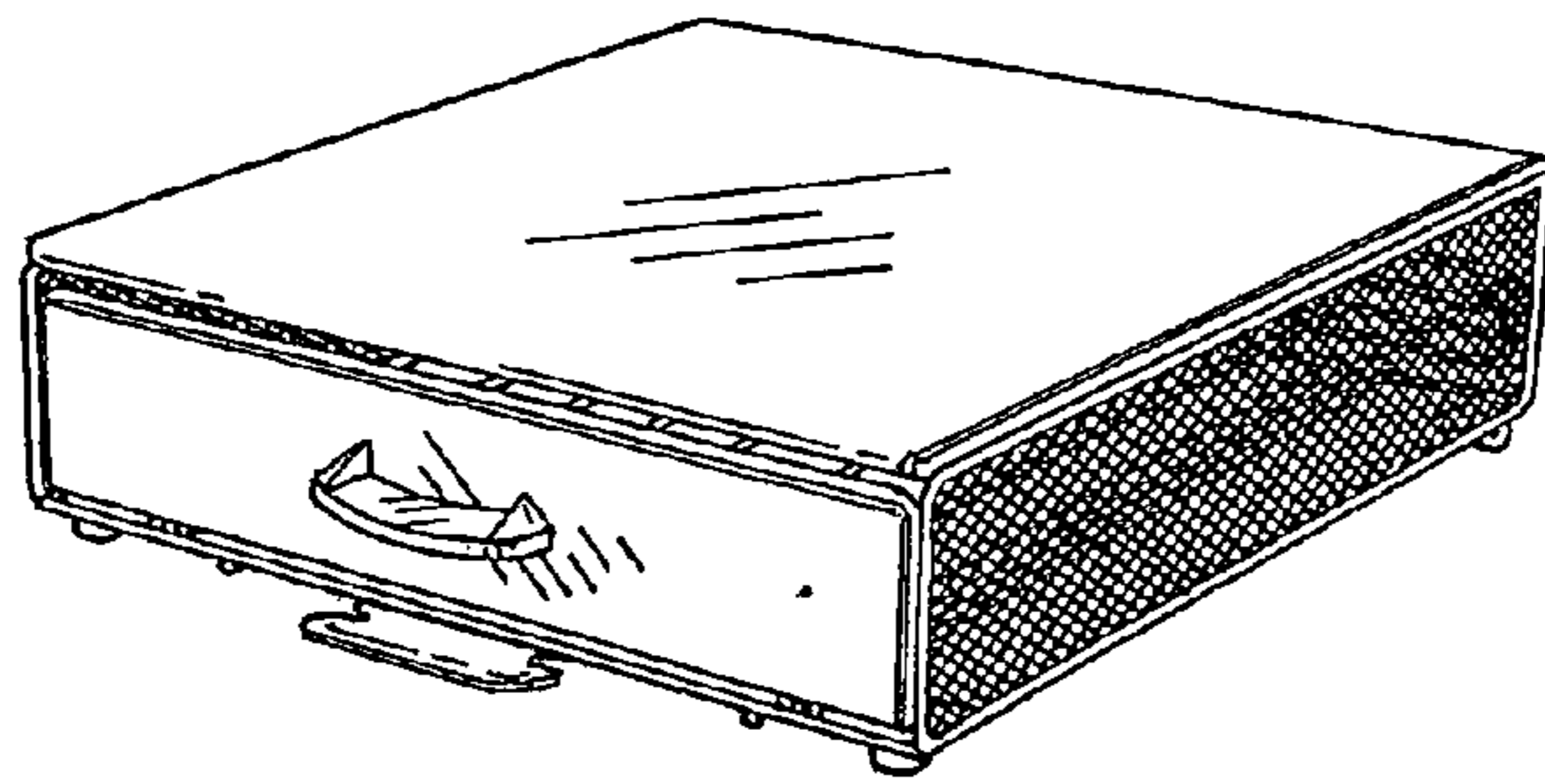


FIG. 2

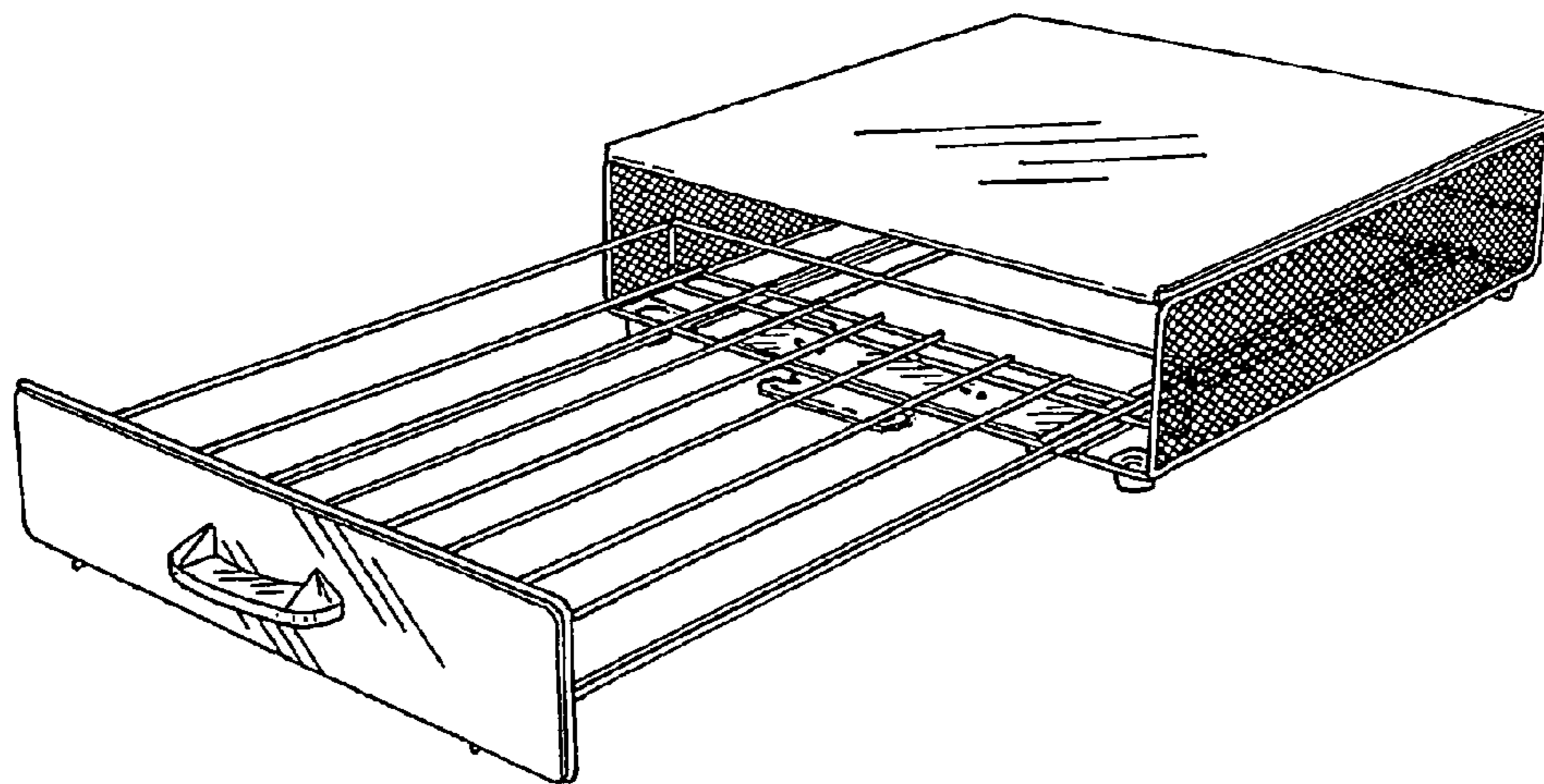


FIG. 3

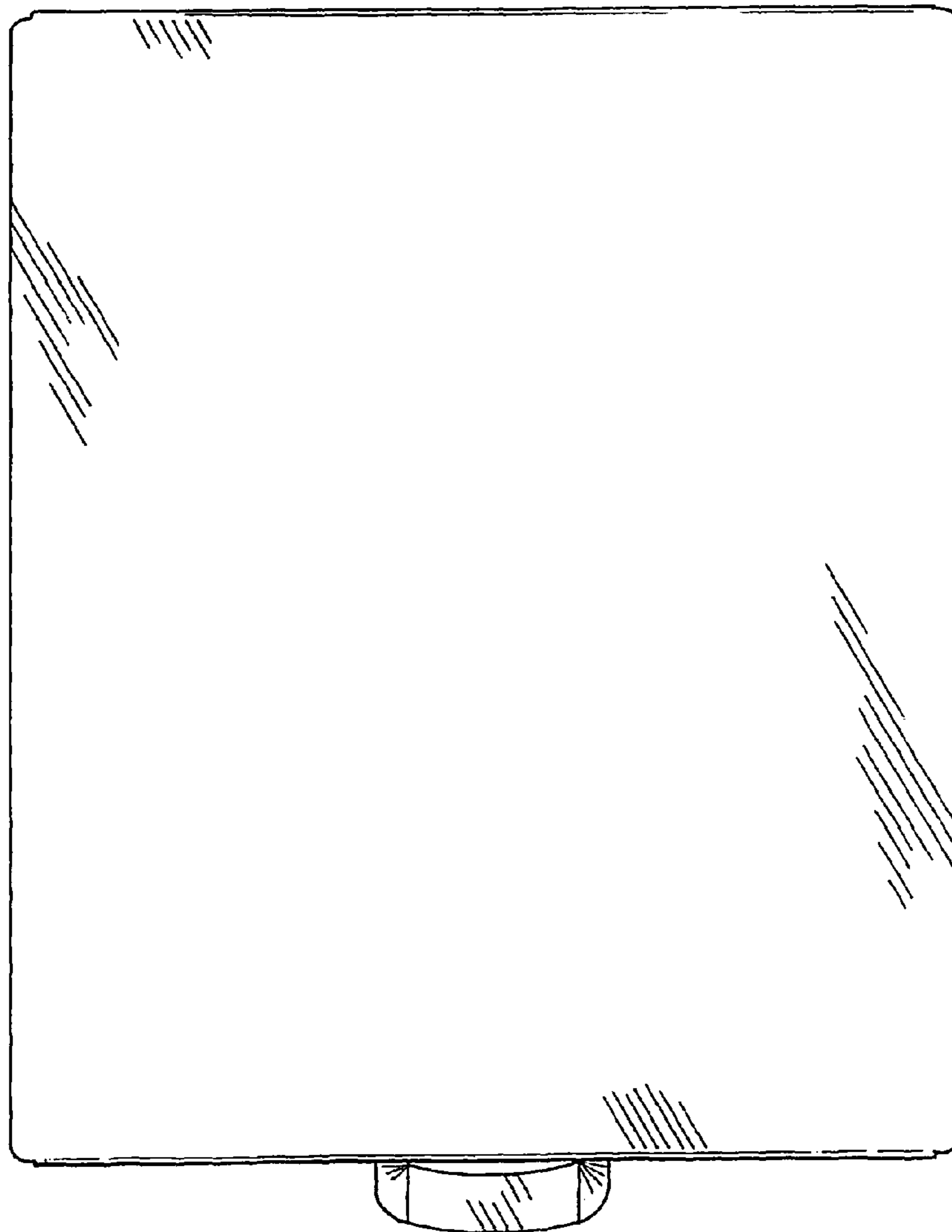


FIG. 4

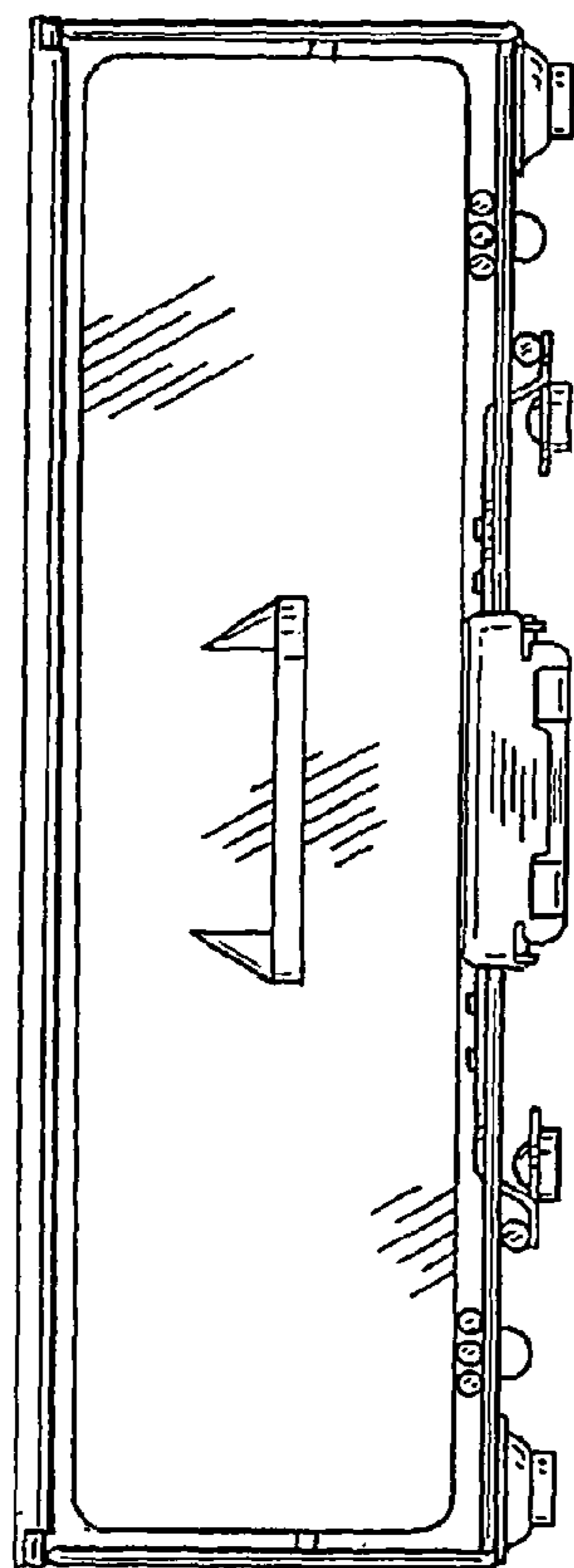


FIG. 5

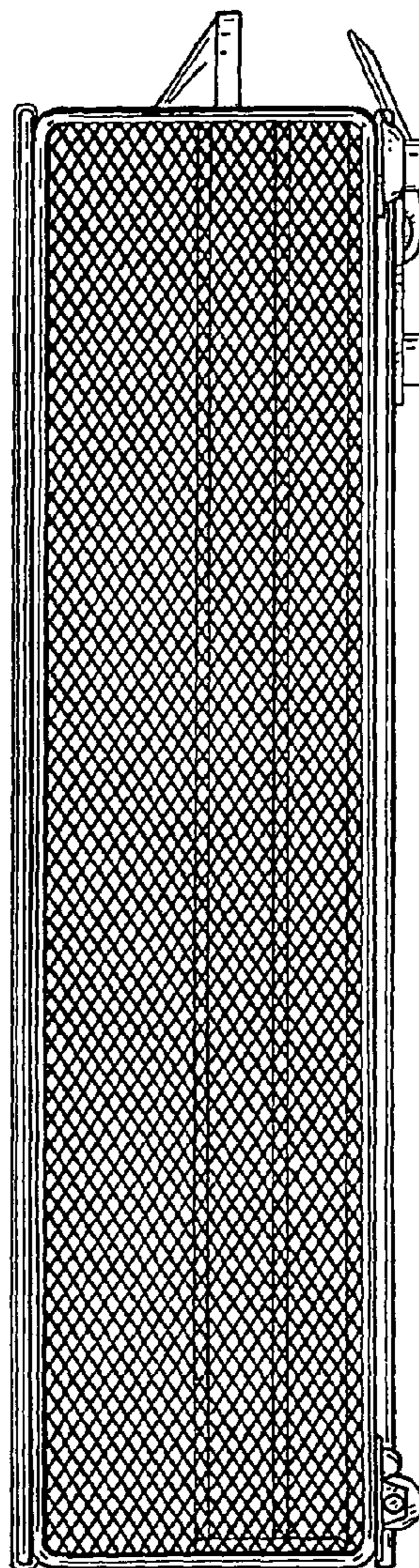


FIG. 6

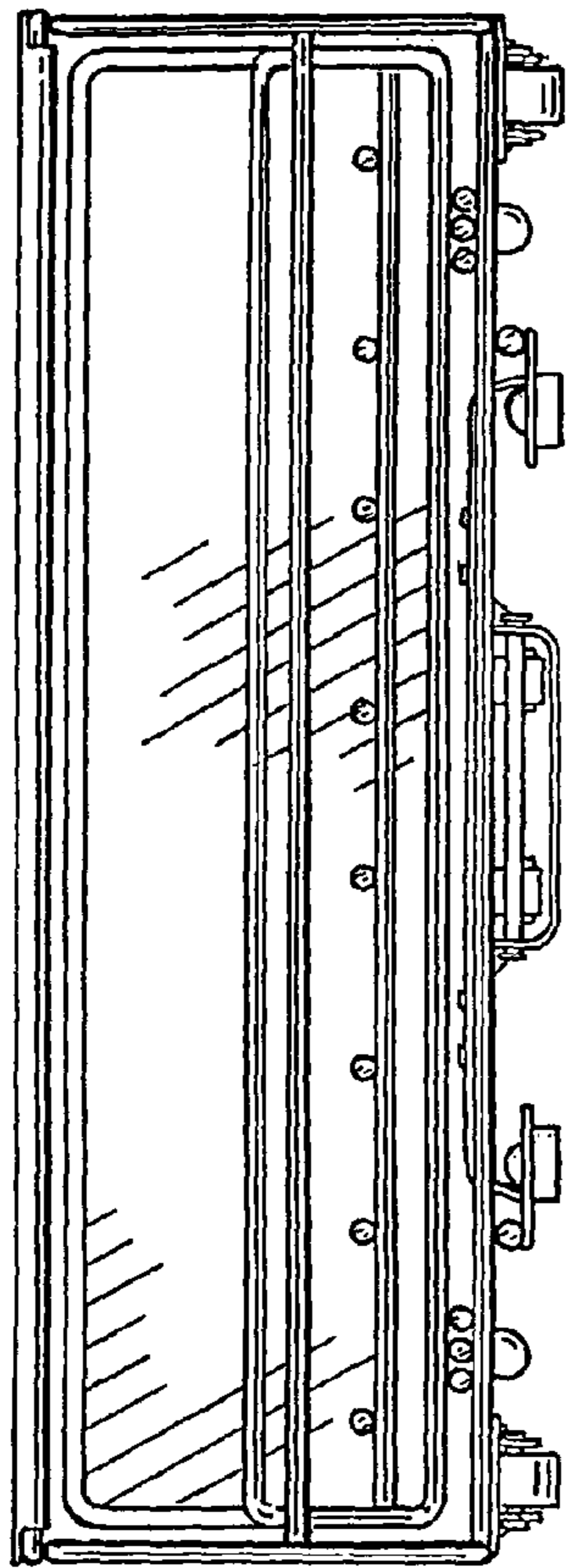


FIG. 7

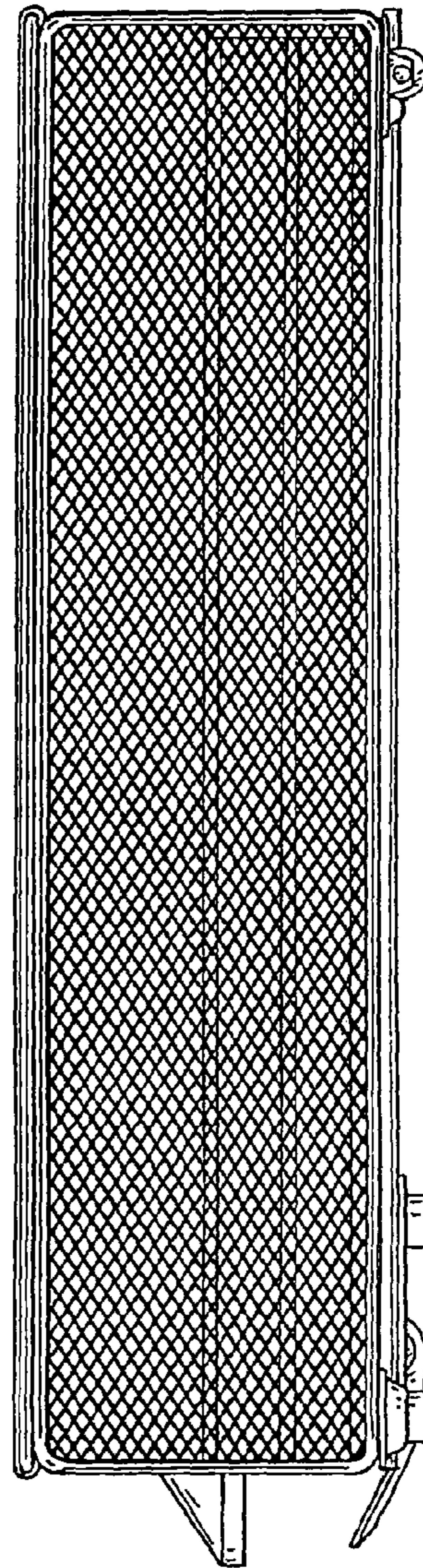


FIG. 8

