



US00D703002S

(12) **United States Design Patent**  
**Tiemann**

(10) **Patent No.:** **US D703,002 S**  
(45) **Date of Patent:** **\*\* Apr. 22, 2014**

(54) **DRAWER FOR HOLDING BEVERAGE CARTRIDGES**

312/323, 330.1, 334.1, 334.27, 408,  
312/410, 334.44; 220/485

See application file for complete search history.

(71) Applicant: **Nifty Home Products, Inc.**, Madison  
Lake, MN (US)

(56) **References Cited**

(72) Inventor: **Frank R. Tiemann**, Madison Lake, MN  
(US)

U.S. PATENT DOCUMENTS

(73) Assignee: **Nifty Home Products, Inc.**, Madison  
Lake, MN (US)

921,694 A	5/1909	Hall	
2,743,774 A *	5/1956	Pinto .....	160/351
3,421,634 A *	1/1969	Margaret .....	211/123
3,467,247 A *	9/1969	Weiss .....	206/561
4,239,099 A *	12/1980	Williams et al. ....	193/32
4,496,037 A *	1/1985	Spamer .....	193/2 R
D309,971 S *	8/1990	Quong .....	D3/311
D336,190 S *	6/1993	Hall .....	D6/510

(\*\*) Term: **14 Years**

(Continued)

(21) Appl. No.: **29/440,206**

*Primary Examiner* — Ian Simmons

(22) Filed: **Dec. 19, 2012**

*Assistant Examiner* — Shannon Morgan

(51) **LOC (10) Cl.** ..... **07-06**

(74) *Attorney, Agent, or Firm* — Thomas J. Nikolai; Nikolai  
& Mersereau, P.A.

(52) **U.S. Cl.**

USPC ..... **D7/600.1**

(58) **Field of Classification Search**

USPC ..... D7/600, 600.1–600.4, 392, 397, 589,  
D7/590, 596, 597, 601, 602, 609, 610, 612,  
D7/614, 615, 620–623, 628–632, 637–641,  
D7/701–708, 708.1, 709, 710;  
D3/304–315, 317, 319, 302; D6/559,  
D6/560, 566, 567, 570, 571, 573, 574, 512,  
D6/705, 705.1, 705.2, 705.3, 705.4, 705.5,  
D6/705.6, 705.7, 706, 707, 707.1, 707.19,  
D6/707.15, 627, 628, 629, 631, 654,  
D6/654.11, 654.12, 654.13, 654.14,  
D6/654.15, 654.18, 654.19, 654.2, 654.22,  
D6/654.21, 655, 655.11, 655.12, 655.13,  
D6/655.14, 655.15, 655.17, 655.18,  
D6/655.19, 655.2, 655.22, 655.23, 691.9,  
D6/692.4, 692.5, 693.1, 693.2; D19/75,  
D19/77, 78, 83, 86, 92; 206/511, 557, 560,  
206/510, 513, 503; 211/1, 10, 13.1, 69.1,  
211/69.5, 70, 70.1, 70.6, 74, 77, 78, 85.1,  
211/85.2, 85.4, 85.5, 85.31, 126.9, 126.11,  
211/126.15, 129.1, 131.1, 133.2, 133.4,  
211/134, 133.5, 133.6, 181.1, 182;

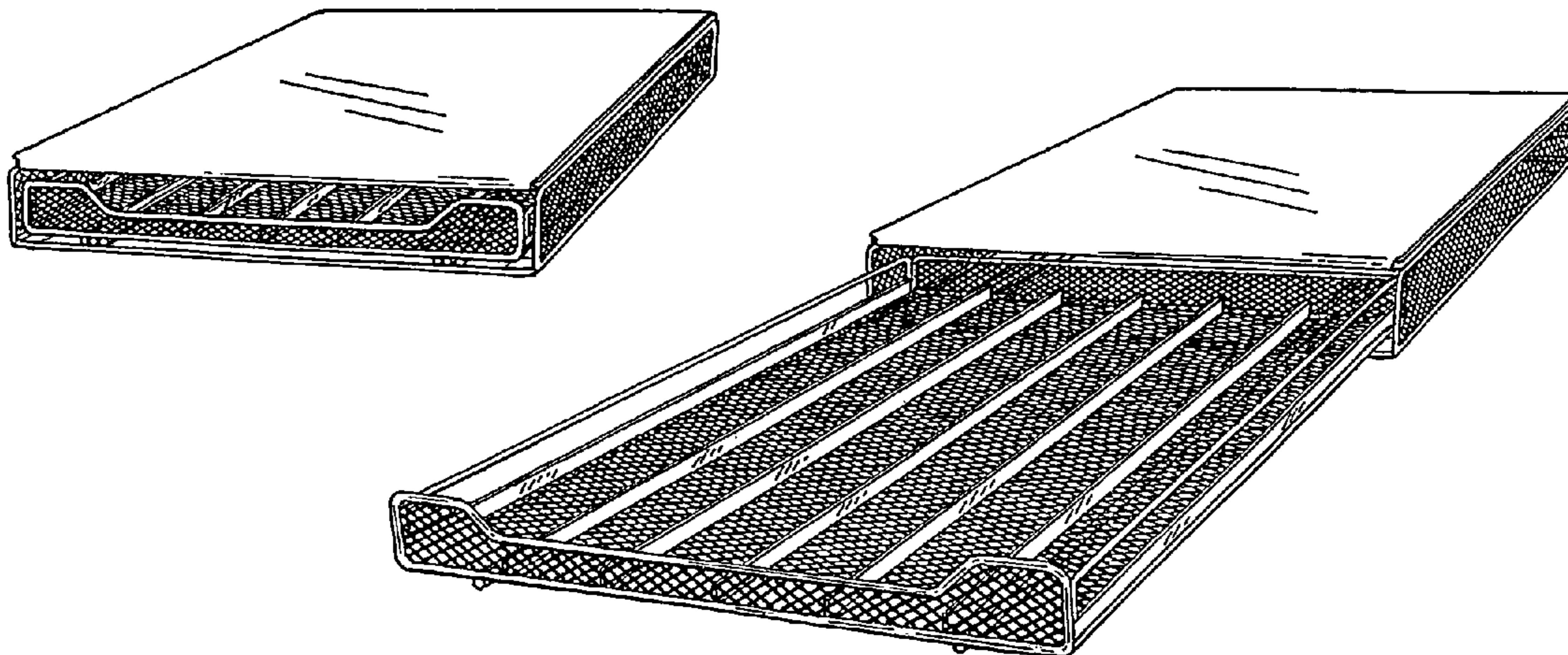
(57) **CLAIM**

The ornamental design for a drawer for holding beverage cartridges, as shown and described.

**DESCRIPTION**

FIG. 1 is a front, right perspective view of a drawer for holding beverage cartridges showing my new design; FIG. 2 is a front, right perspective view shown open thereof; FIG. 3 is a front, right perspective view shown open thereof; FIG. 4 is a front elevational view thereof; FIG. 5 is a left side elevational view thereof; FIG. 6 is a rear elevational view thereof; FIG. 7 is a right side elevational view thereof; FIG. 8 is a top plan view thereof; and, FIG. 9 is a bottom plan view thereof. The broken lines in FIG. 3 of the drawer for holding beverage cartridges are for the purpose of illustrating environment, and form no part of the claimed design.

**1 Claim, 4 Drawing Sheets**



(56)

**References Cited**

U.S. PATENT DOCUMENTS

5,242,223 A \* 9/1993 Koves ..... 312/348.3  
 5,595,310 A \* 1/1997 Spamer et al. .... 211/59.2  
 D433,711 S 11/2000 Andujar  
 6,840,593 B2 1/2005 Remmers  
 D525,488 S 7/2006 McWhorter  
 D547,094 S 7/2007 Klein et al.  
 D628,444 S 12/2010 Snider  
 D628,445 S 12/2010 Snider  
 D635,363 S 4/2011 Hertaus  
 D635,765 S 4/2011 Hertaus  
 D643,686 S 8/2011 Tiemann

D644,069 S 8/2011 Tiemann  
 D659,481 S 5/2012 Tiemann  
 D660,088 S 5/2012 Tiemann  
 D660,652 S 5/2012 Tiemann  
 D661,951 S 6/2012 Tiemann  
 D665,230 S \* 8/2012 Snider ..... D7/600.1  
 D676,715 S \* 2/2013 Tsai ..... D7/600.1  
 D679,954 S \* 4/2013 Snider ..... D7/600.1  
 D680,380 S \* 4/2013 Tiemann ..... D7/600.1  
 D682,039 S \* 5/2013 Tiemann ..... D7/600.4  
 D686,464 S \* 7/2013 Tiemann ..... D7/600.1  
 2005/0205578 A1 9/2005 Yeh  
 2007/0273258 A1\* 11/2007 Ernst ..... 312/348.3

\* cited by examiner

FIG. 1

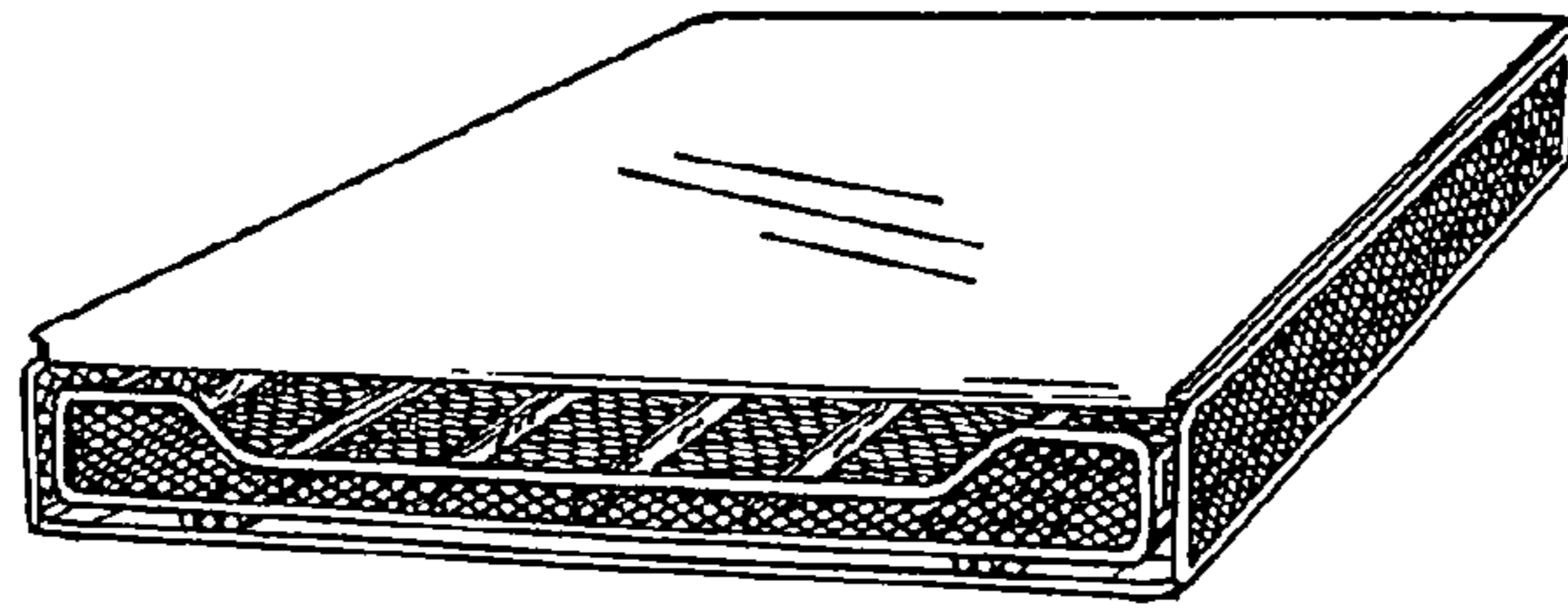


FIG. 2

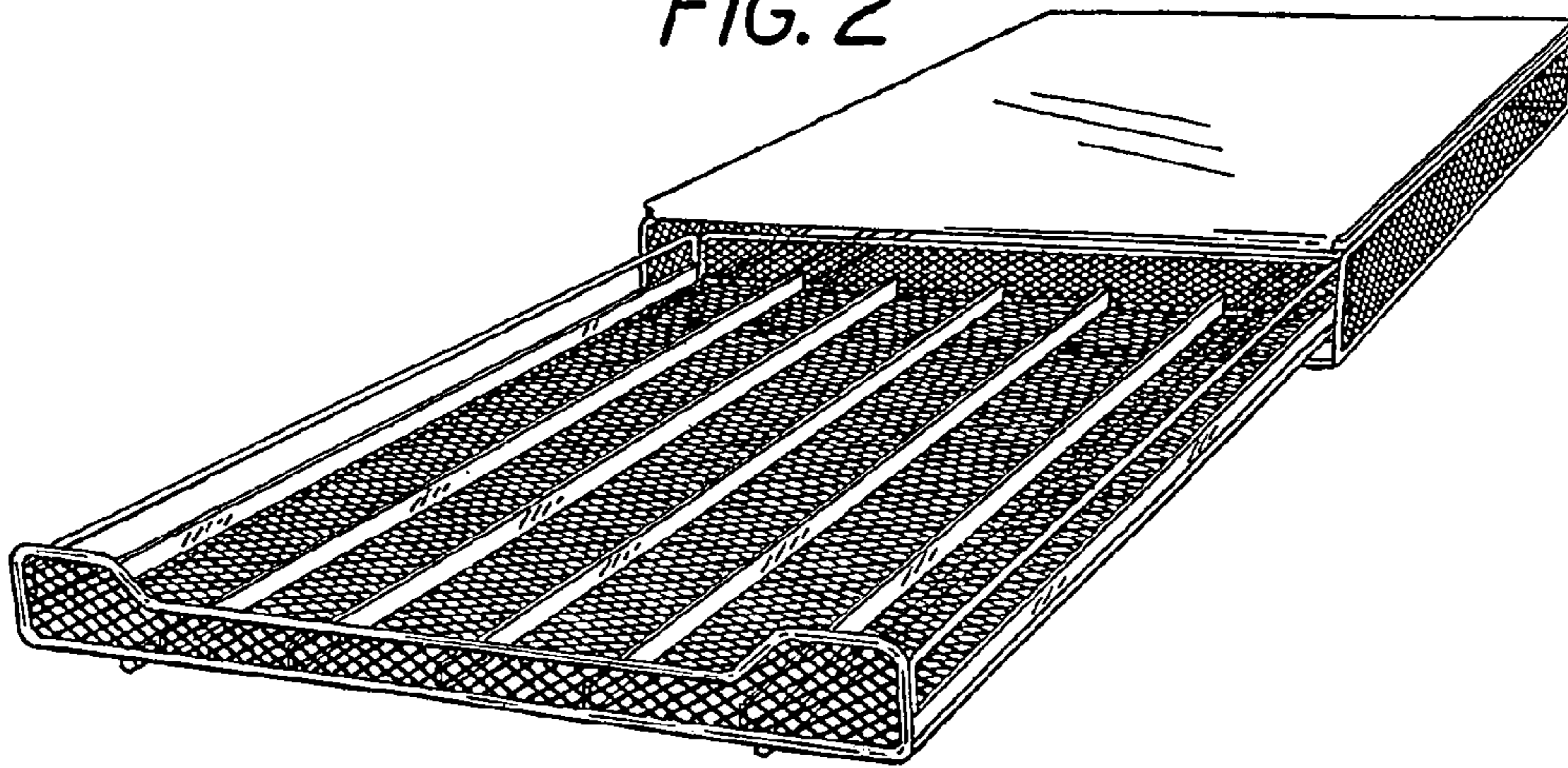
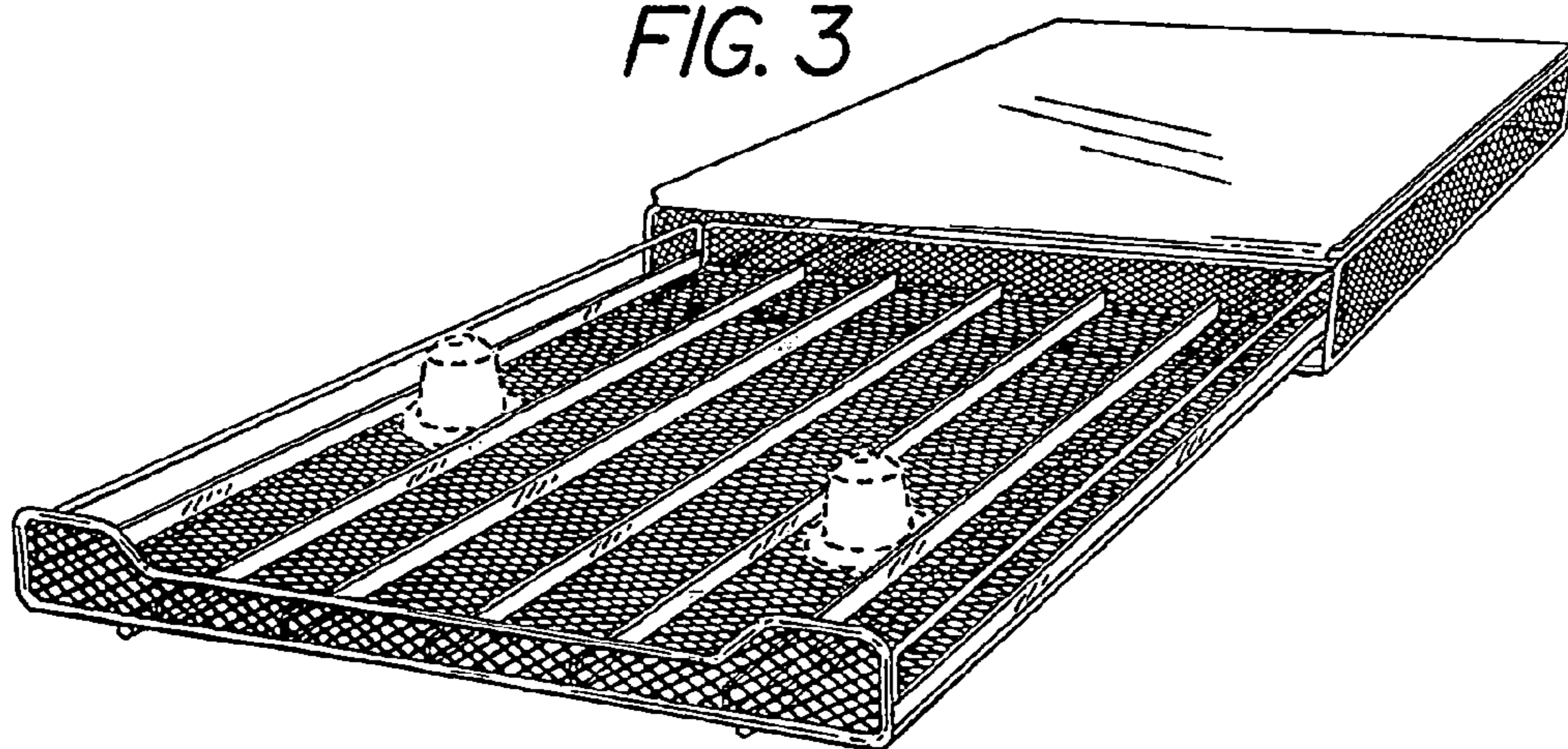


FIG. 3



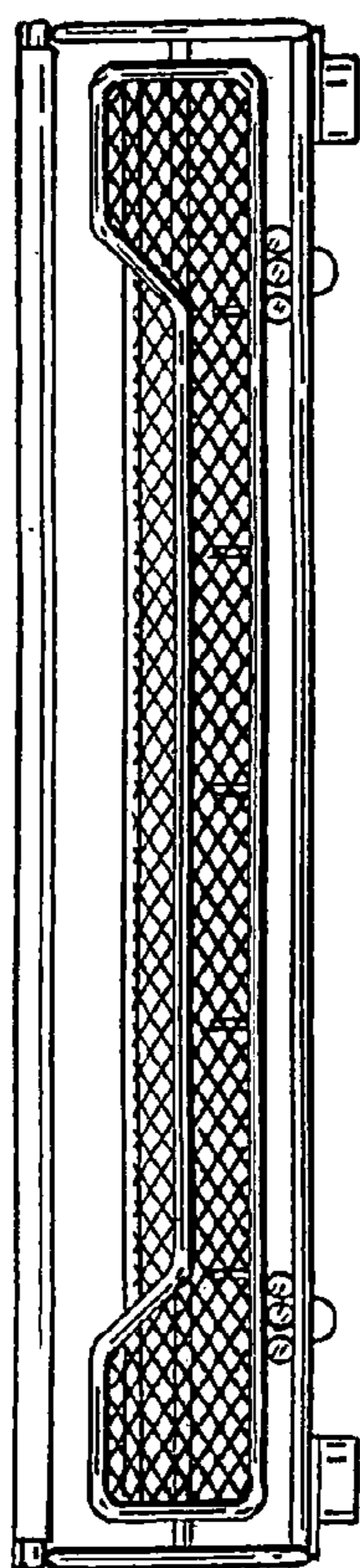


FIG. 4

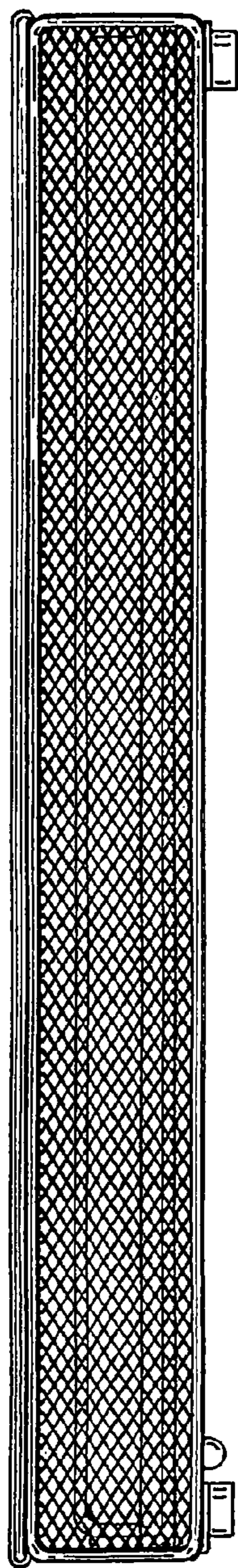


FIG. 5

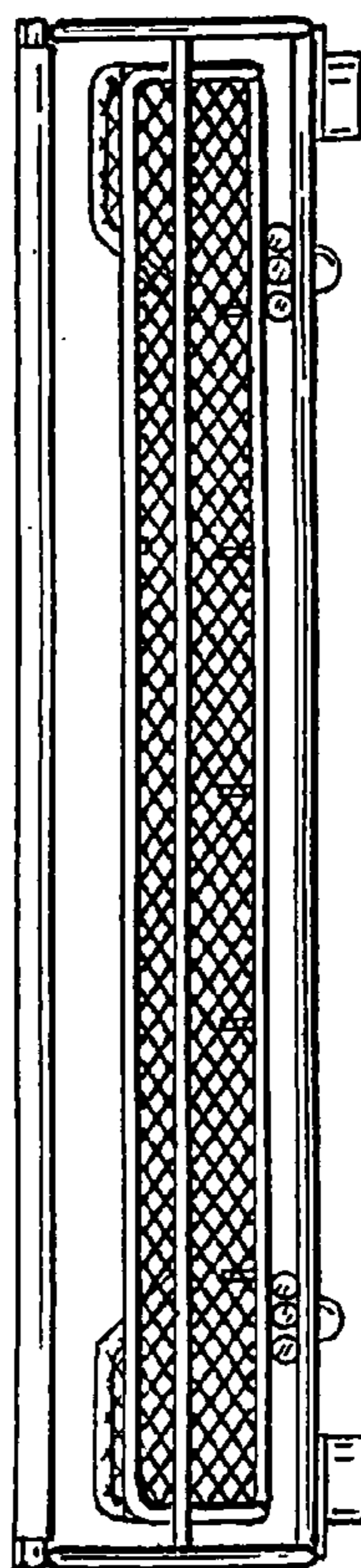


FIG. 6

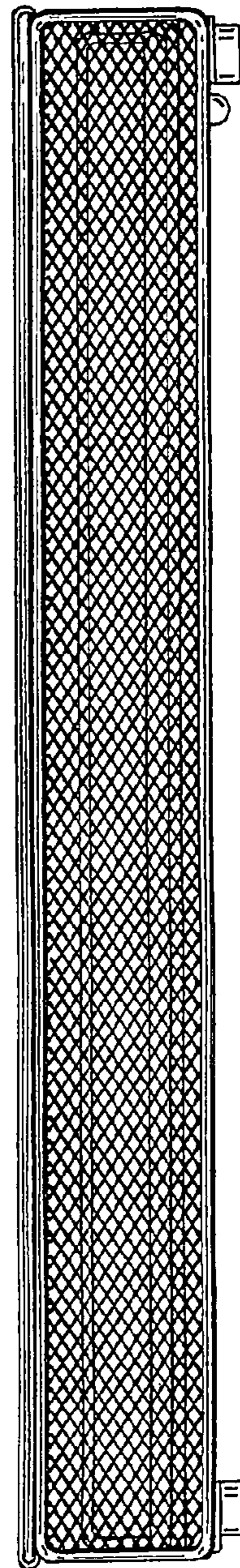


FIG. 7

FIG. 8

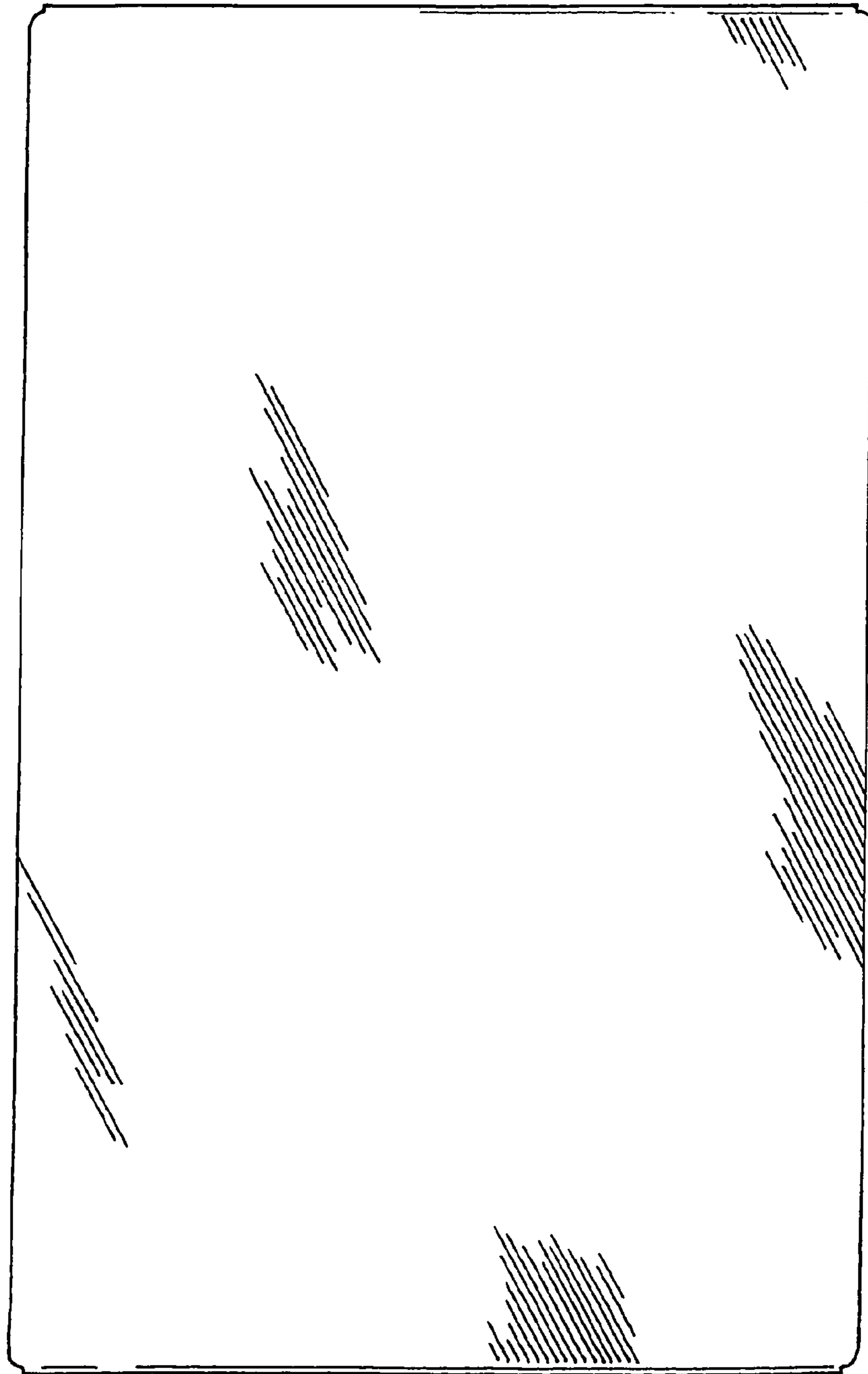


FIG. 9

