



US00D703001S

(12) **United States Design Patent**
Gross et al.

(10) **Patent No.:** **US D703,001 S**
(45) **Date of Patent:** **** Apr. 22, 2014**

(54) **EGG COMPARTMENT DISH**
(76) Inventors: **Mark Gross**, Downey, CA (US); **Eric Gross**, Tarzana, CA (US)
(**) **Term:** **14 Years**
(21) **Appl. No.:** **29/415,804**
(22) **Filed:** **Mar. 14, 2012**
(51) **LOC (10) Cl.** **07-01**
(52) **U.S. Cl.**
USPC **D7/555**
(58) **Field of Classification Search**
USPC D7/562, 586, 545, 561, 560, 500, 543,
D7/360, 361, 552.1, 354, 555, 566, 504,
D7/587, 565, 601, 602, 505, 558, 584, 357,
D7/503, 554.3, 553.5, 553.4; D1/122;
D30/130; 220/751, 23.4, 574, 508;
D9/643, 744; 215/382, 400; 219/735;
426/243
See application file for complete search history.

5,676,275 A * 10/1997 Khattar 220/575
D426,751 S * 6/2000 Obra D7/555
D551,400 S * 9/2007 Tsengas D30/133
D568,004 S * 4/2008 Tiemann D30/133
D592,813 S * 5/2009 Newsome et al. D30/129
D604,099 S * 11/2009 Mishan D7/409
D618,862 S * 6/2010 Shamoon et al. D30/133
D622,013 S * 8/2010 Aho D30/133
D645,708 S * 9/2011 Stamper et al. D7/602
D646,441 S * 10/2011 Chance et al. D30/133
D647,668 S * 10/2011 Siklosi D30/133
D652,259 S * 1/2012 Hatcher et al. D7/553.5
D655,629 S * 3/2012 Blanton et al. D9/761
8,167,129 B2 * 5/2012 Hatcher 206/565
D670,452 S * 11/2012 Caruso D30/133
D676,714 S * 2/2013 Chen D7/600
D685,141 S * 6/2013 Dixon D30/129
8,499,961 B1 * 8/2013 Goldenberg et al. 220/508
2005/0115508 A1 * 6/2005 Little 119/61.5
2008/0190372 A1 * 8/2008 Horvath 119/61.56
2010/0107984 A1 * 5/2010 Uffner et al. 119/61.5
2010/0162961 A1 * 7/2010 Hove et al. 119/51.5

* cited by examiner

Primary Examiner — Cynthia Underwood
(74) *Attorney, Agent, or Firm* — James E. Brunton

(56) **References Cited**
U.S. PATENT DOCUMENTS

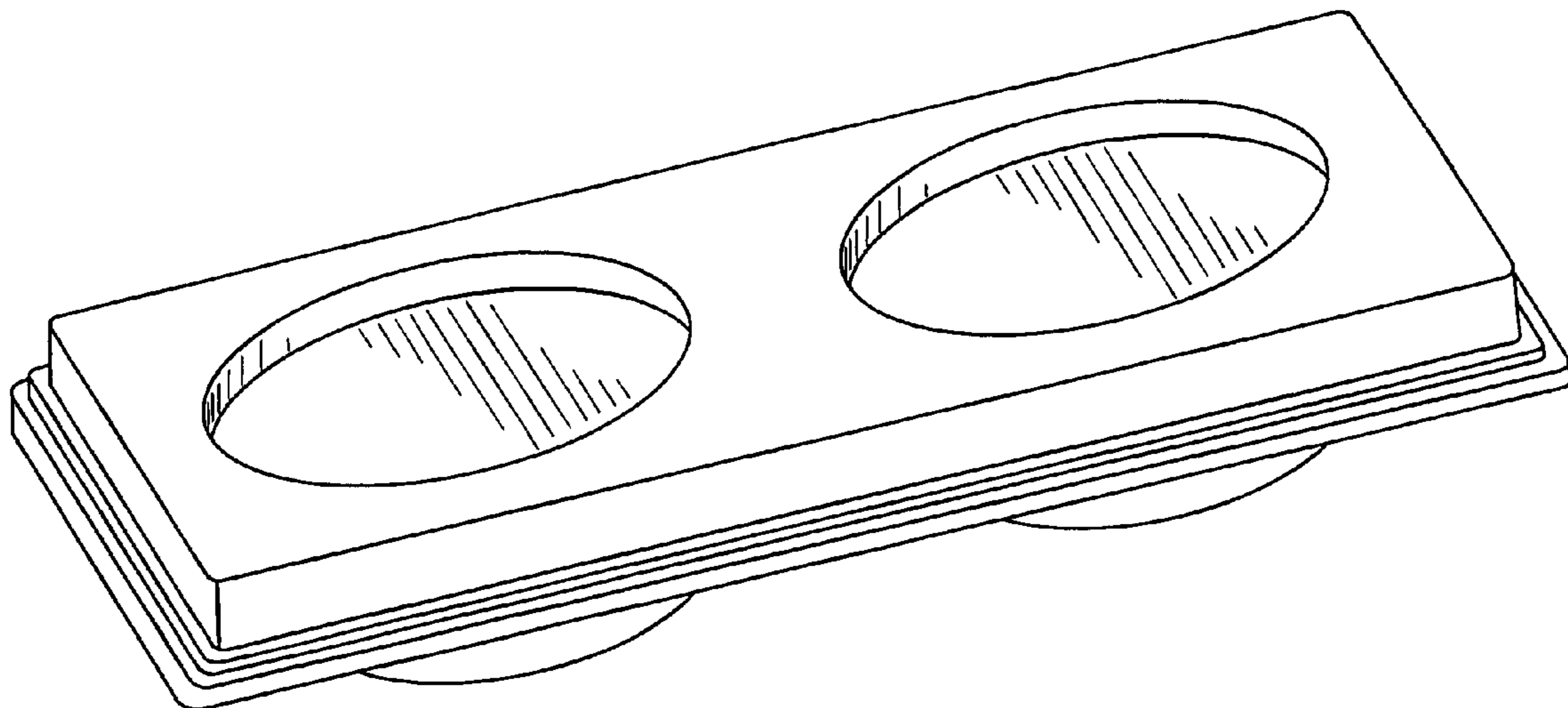
D55,496 S * 6/1920 White D7/590
1,520,402 A * 12/1924 Clemans 220/23.8
D96,740 S * 9/1935 Gerth D7/549
D122,774 S * 10/1940 Frederick D7/553.4
D235,301 S * 6/1975 Mountain, Jr. et al. D7/505
3,899,161 A * 8/1975 McGann, Jr. 269/13
D260,472 S * 9/1981 Turcotte, Jr. D7/708
D261,465 S * 10/1981 Minchew D7/555
D264,168 S * 5/1982 Teuber et al. D7/701
D308,773 S * 6/1990 Morrow et al. D6/406.4
4,989,742 A * 2/1991 Powell 220/23.4
D319,901 S * 9/1991 Steiner D30/131
D339,507 S * 9/1993 Ancona et al. D7/698
5,306,469 A * 4/1994 Iles 422/561
D351,087 S * 10/1994 Anderson D7/541
D381,515 S * 7/1997 Haynes D3/313

(57) **CLAIM**
The ornamental design for “egg compartment dish,” as described and shown.

DESCRIPTION

FIG. 1 is a perspective view of an “egg compartment dish” showing my new design;
FIG. 2 is a perspective exploded view of the “egg compartment dish”
FIG. 3 is an end view thereof;
FIG. 4 is a side view thereof;
FIG. 5 is a top view thereof; and,
FIG. 6 is a bottom view thereof.

1 Claim, 4 Drawing Sheets



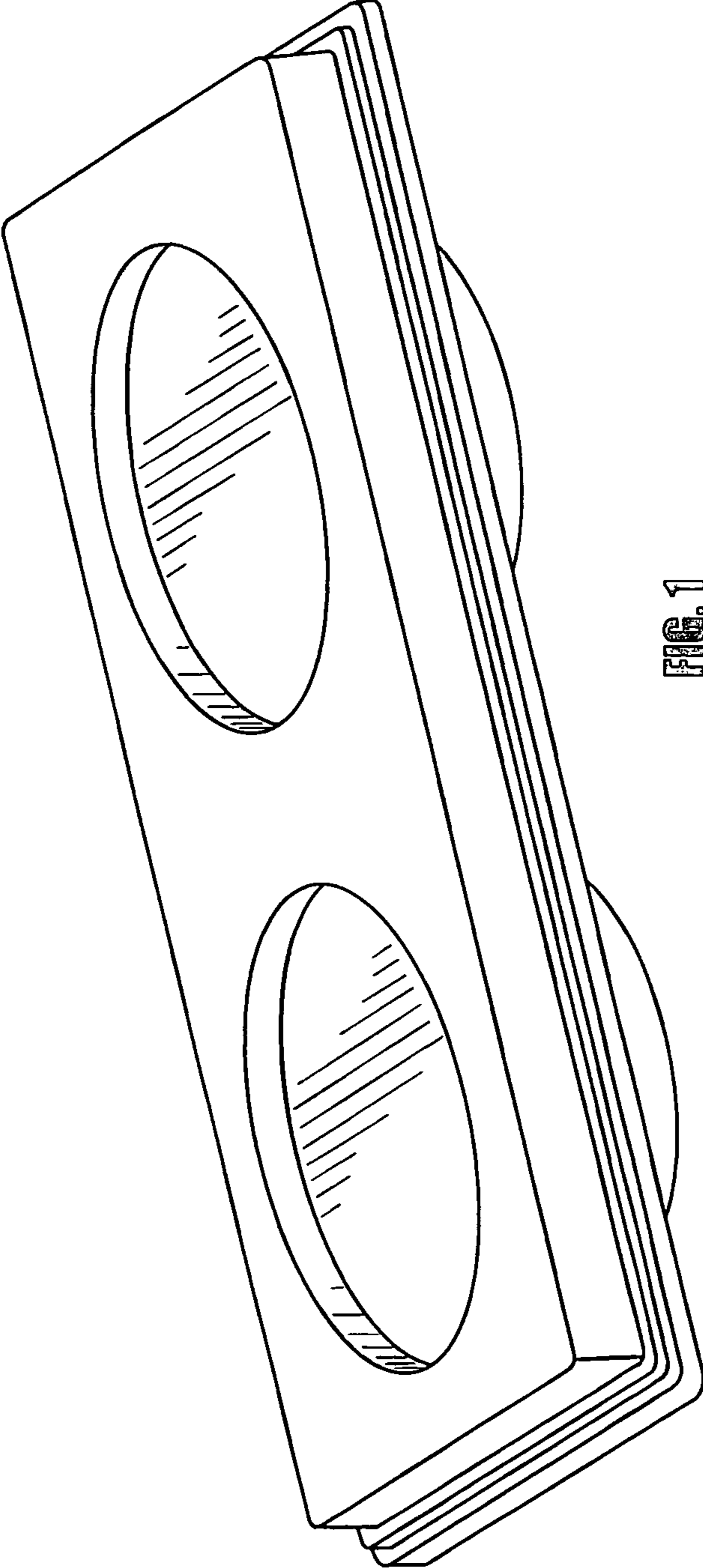


FIG. 1

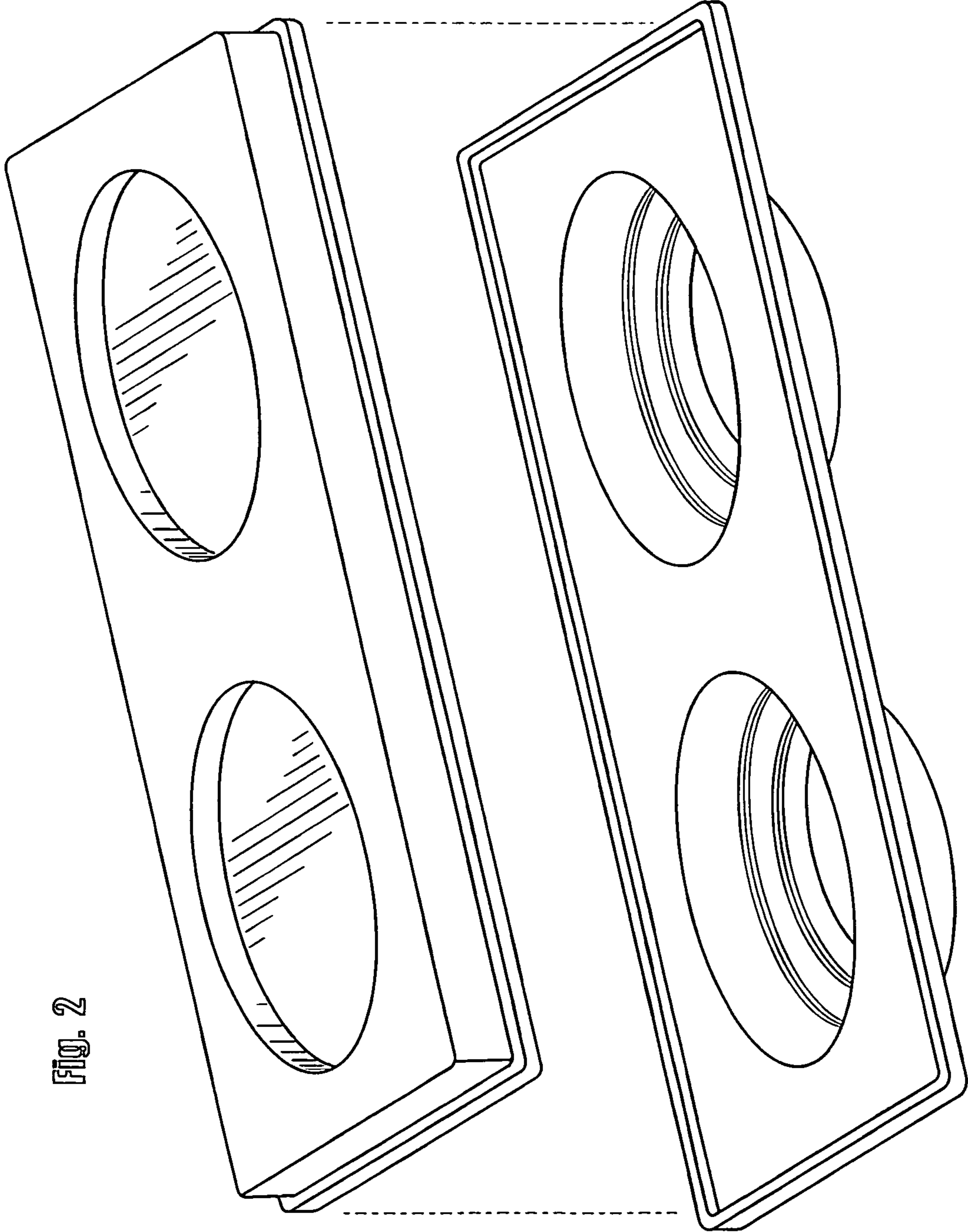


FIG. 2

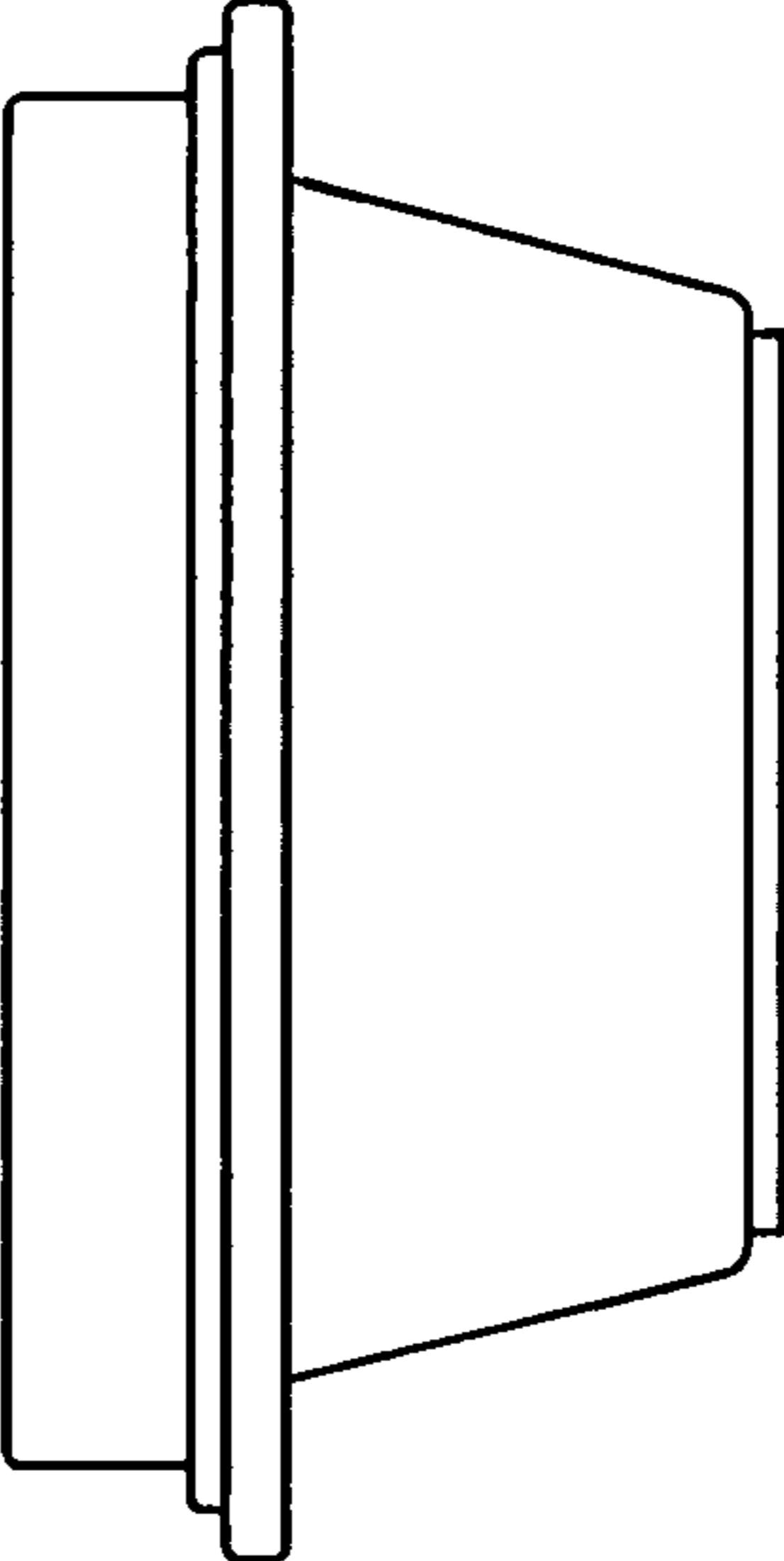
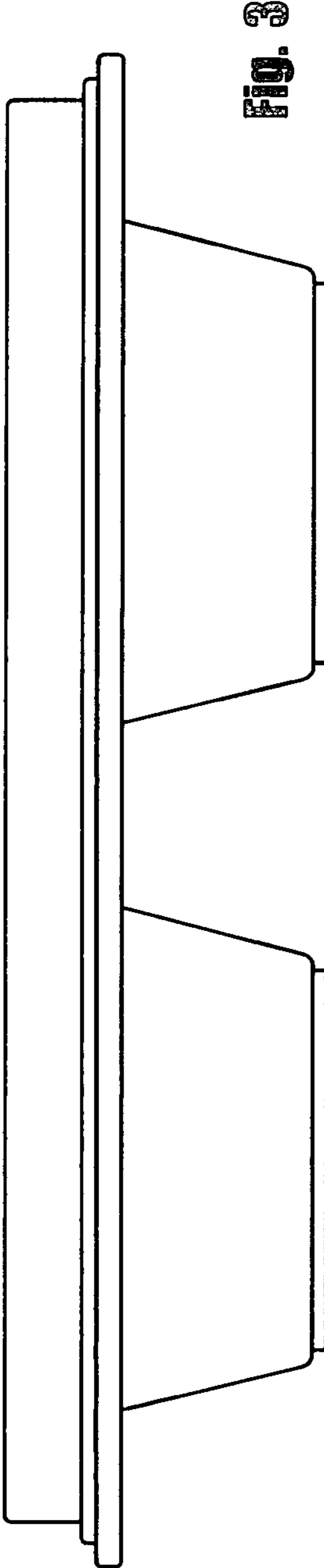


FIG. 5

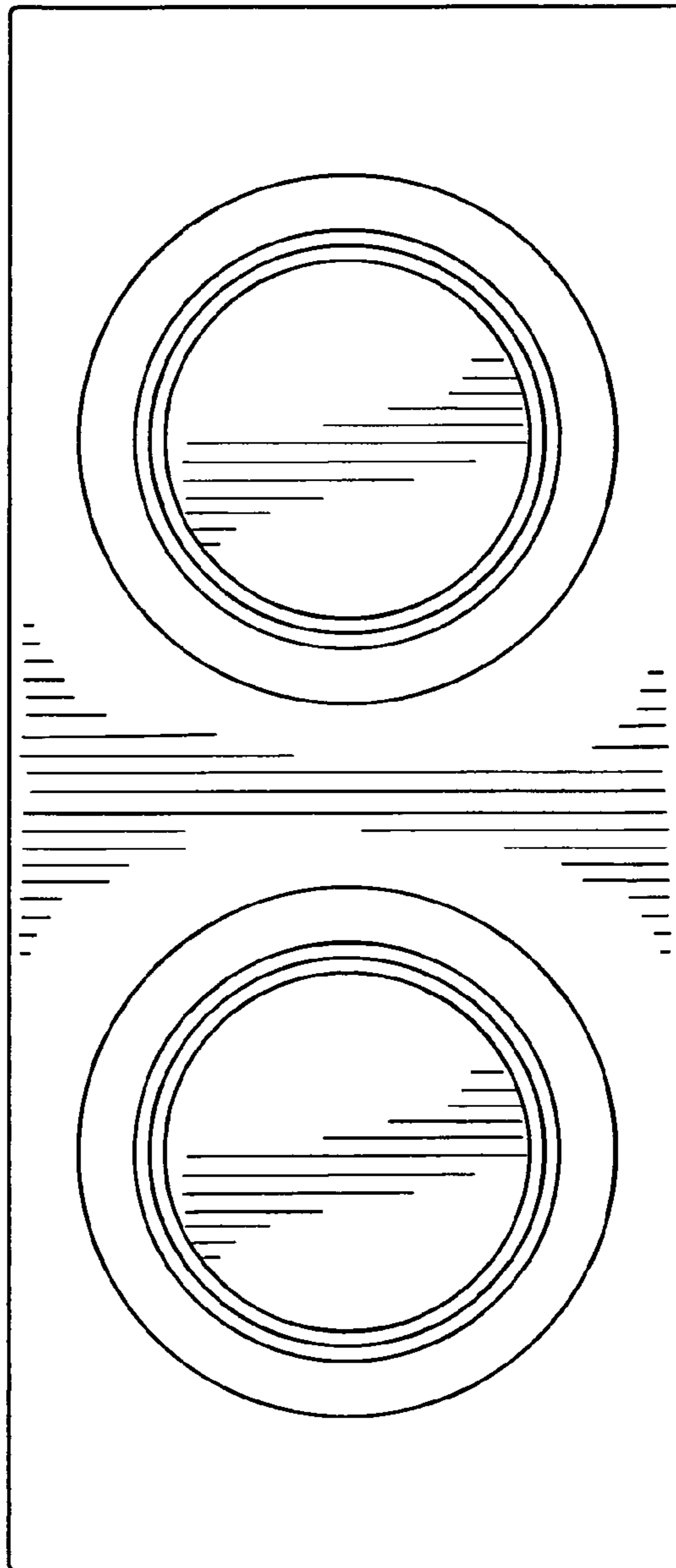
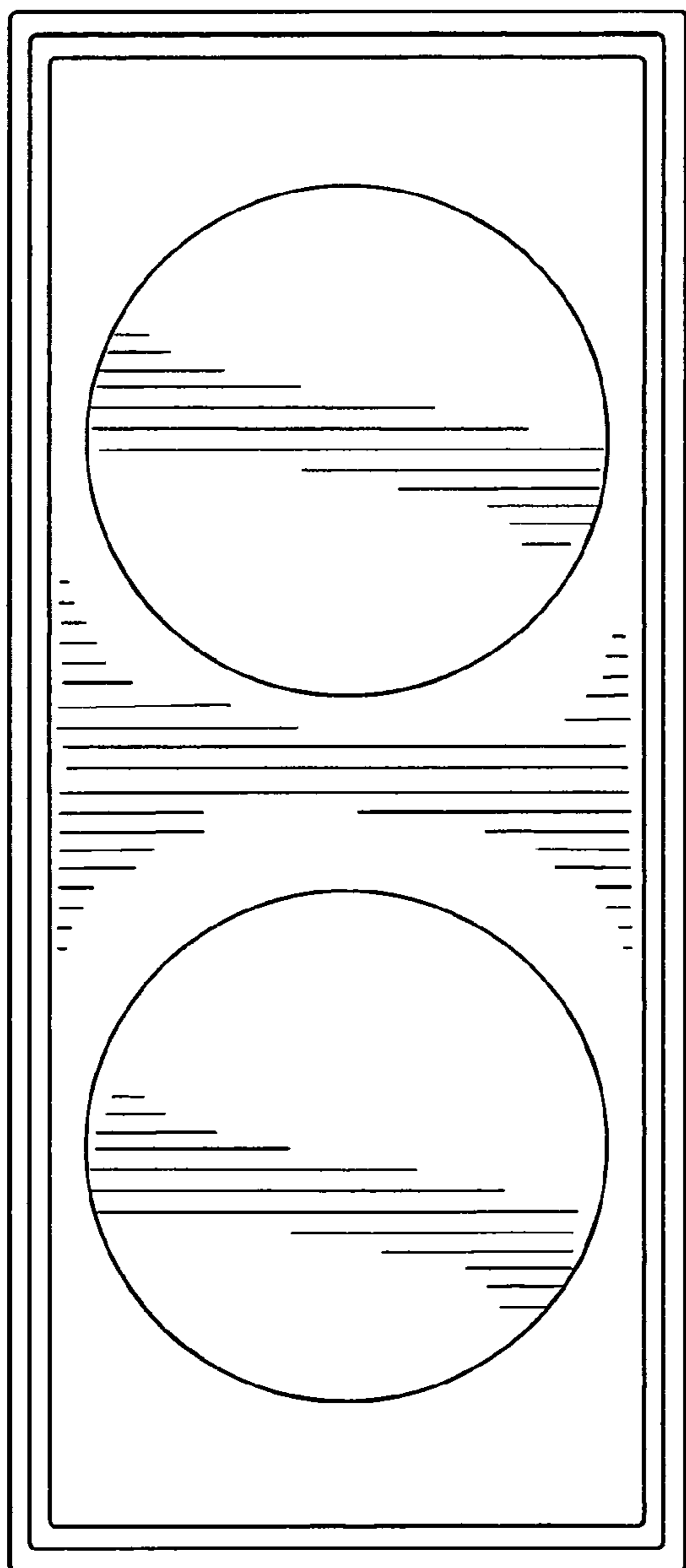


FIG. 6