



US00D702999S

(12) **United States Design Patent**
Audette et al.

(10) **Patent No.:** **US D702,999 S**
(45) **Date of Patent:** **** Apr. 22, 2014**

(54) **BLENDER CONTAINER**
(71) Applicant: **Euro-Pro Operating LLC**, Newton, MA (US)
(72) Inventors: **David M. Audette**, Webster, MA (US);
Laura Kay Raffi, Wayland, MA (US)
(73) Assignee: **Euro-Pro Operating LLC**, Newton, MA (US)
(**) Term: **14 Years**

D433,598 S 11/2000 Naft et al.
D435,192 S 12/2000 Bohannon, Jr. et al.
D450,978 S * 11/2001 Smith D7/378
D488,957 S 4/2004 Holderfield et al.
D499,606 S 12/2004 Feil
D512,265 S 12/2005 McCurrach
D522,304 S 6/2006 Huang
D530,565 S * 10/2006 Grcic D7/378
D533,395 S 12/2006 Drees et al.
D537,674 S * 3/2007 Davenport et al. D7/378
D552,412 S 10/2007 Steiner
D553,426 S * 10/2007 Lin D7/378
D553,904 S 10/2007 Romandy
D577,537 S * 9/2008 Lee D7/386

(21) Appl. No.: **29/447,115**
(22) Filed: **Feb. 28, 2013**
(51) **LOC (10) Cl.** **31-00**
(52) **U.S. Cl.**
USPC **D7/413**; D7/376; D7/378; D7/412
(58) **Field of Classification Search**
USPC D7/301-313, 316-326, 354-357, 368,
D7/372-386, 391-398, 402, 412-415, 503,
D7/515, 543, 584-587, 665-666, 679,
D7/691-693; 99/280, 326, 348, 492,
99/508-512; 241/30-37.5, 82.1, 92, 98,
241/101.01-101.2, 166-169.1, 172, 272,
241/285.1-285.3, 291, 292.1; 366/64-67,
366/98, 129, 142-144, 169.1, 192-211,
366/241-254, 262, 279-292, 325.8, 325.92,
366/341-347; 416/75-77, 70 R, 163
See application file for complete search history.

(Continued)

OTHER PUBLICATIONS

Ninja®. Kitchen System 1200™. BL700 series. Owner's Guide. 2011. 12 pages.

Primary Examiner — Ricky Pham
(74) *Attorney, Agent, or Firm* — Wolf, Greenfield & Sacks, P.C.

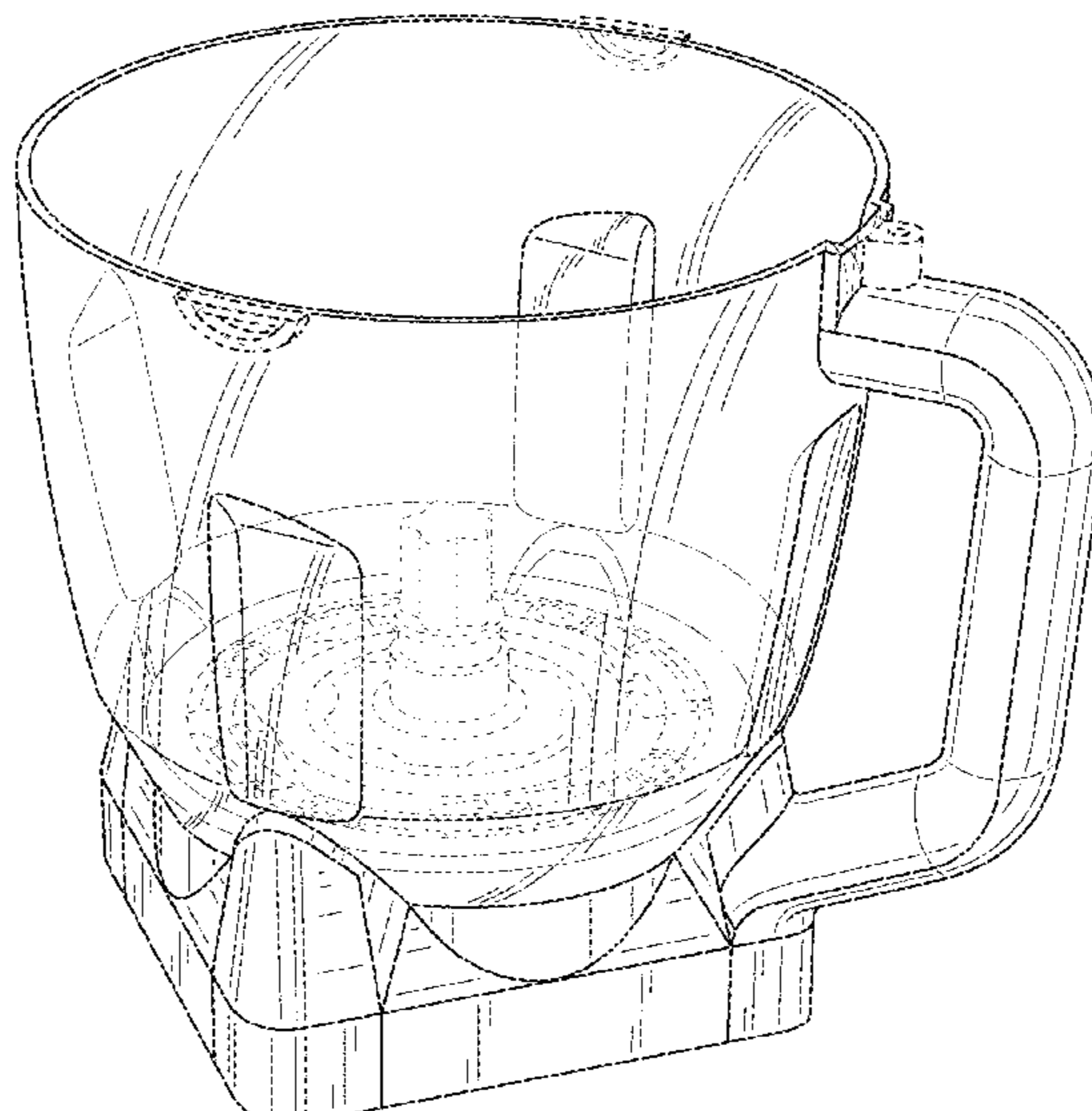
(57) **CLAIM**
The ornamental design for a blender container, as shown and described.

DESCRIPTION

FIG. 1 is a top, front, right side perspective view of a blender container showing our new design;
FIG. 2 is a front elevational view thereof;
FIG. 3 is a rear elevational view thereof;
FIG. 4 is a left side elevational view thereof;
FIG. 5 is a right side elevational view thereof;
FIG. 6 is a top plan view thereof; and,
FIG. 7 is a bottom plan view thereof.
The broken lines of FIGS. 1-7 illustrate portions of the blender container that form no part of the claimed design.

(56) **References Cited**
U.S. PATENT DOCUMENTS
D347,144 S 5/1994 Brady
D386,355 S 11/1997 Davidson et al.
D386,357 S 11/1997 Davidson
D390,416 S 2/1998 Hippen et al.
D412,809 S 8/1999 Toro et al.
D429,956 S 8/2000 Bohannon, Jr. et al.

1 Claim, 7 Drawing Sheets



(56)

References Cited

U.S. PATENT DOCUMENTS

D617,136 S	6/2010	Bock et al.	D645,301 S	9/2011	Tse
D623,890 S	9/2010	Metaxatos et al.	D647,367 S	10/2011	Audette et al.
D625,141 S	10/2010	Moore	D647,368 S	10/2011	Audette et al.
D637,863 S *	5/2011	Wu D7/378	8,109,668 B2 *	2/2012	Garman et al. 366/205
D638,256 S *	5/2011	Wu D7/378	D659,469 S *	5/2012	Hoare et al. D7/413
D638,665 S	5/2011	Wu	D661,547 S	6/2012	Brinckerhoff et al.
D642,857 S	8/2011	Bodum	D661,548 S *	6/2012	Brinckerhoff et al. D7/413
D644,488 S	9/2011	Brinckerhoff et al.	D679,543 S *	4/2013	Repac D7/413
D644,876 S	9/2011	Brinckerhoff et al.	2006/0018189 A1 *	1/2006	Chang Chien 366/205
			2012/0024993 A1	2/2012	Audette et al.
			2012/0026827 A1	2/2012	Audette

* cited by examiner

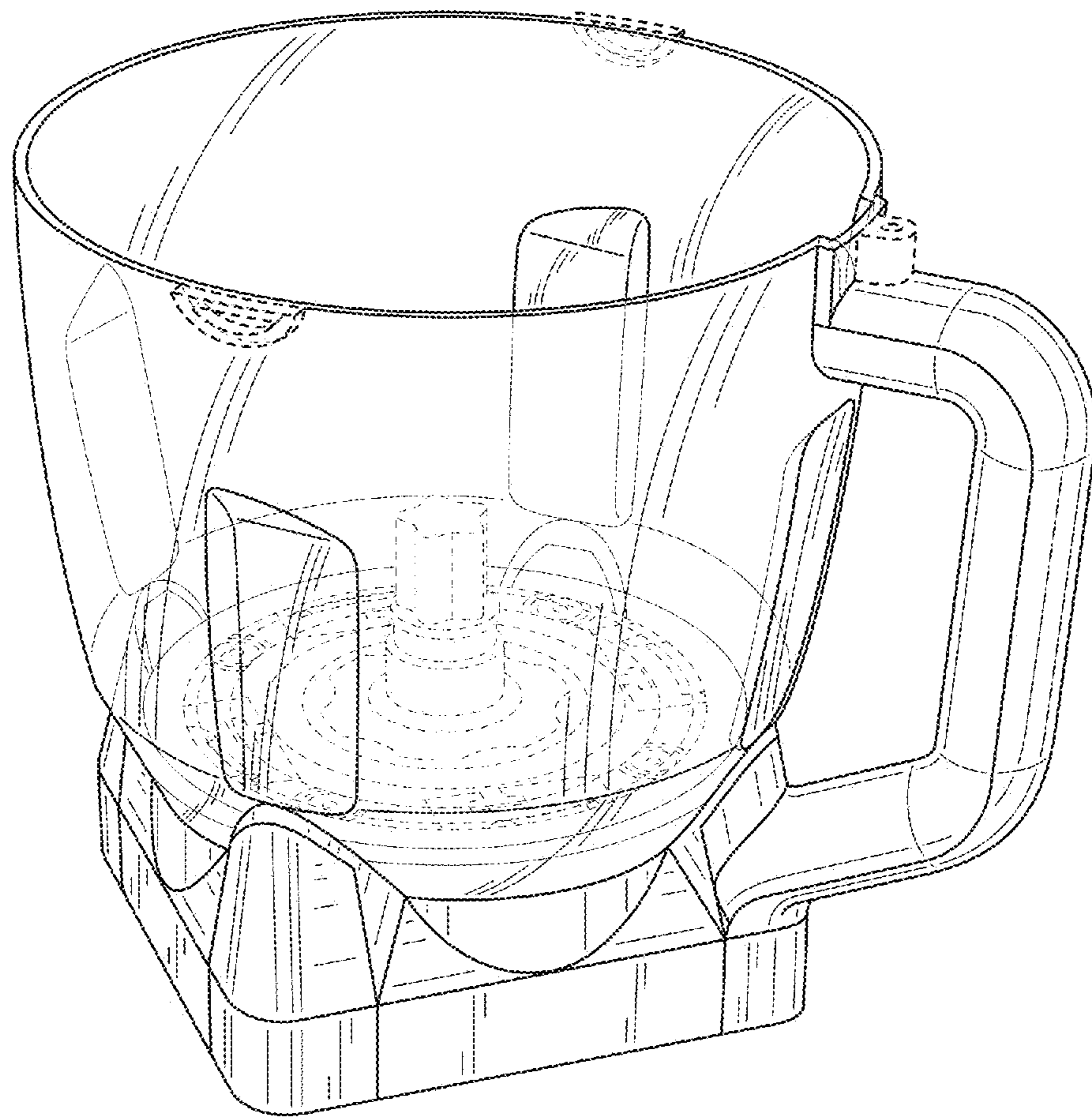


FIG. 1

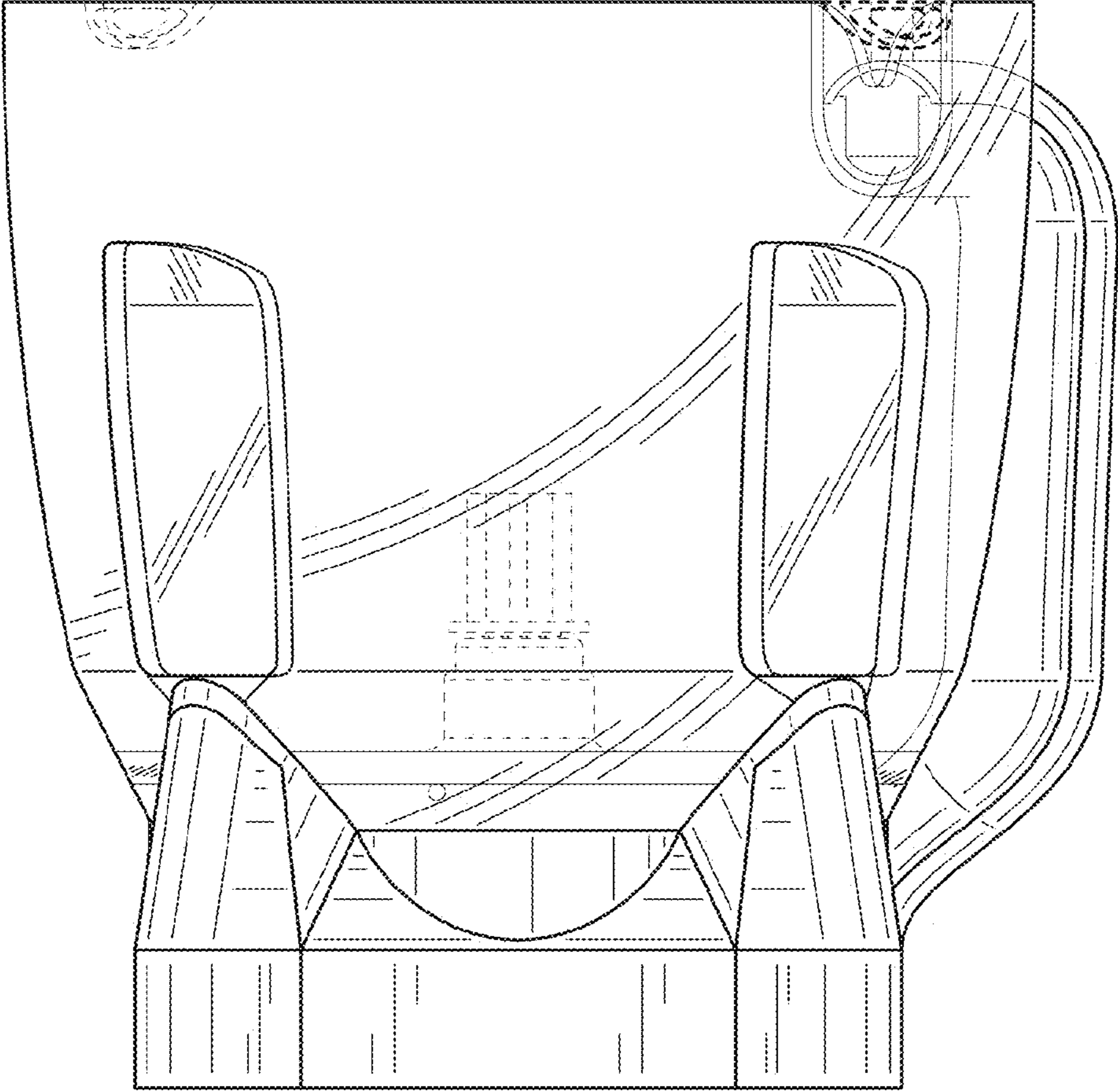


FIG. 2

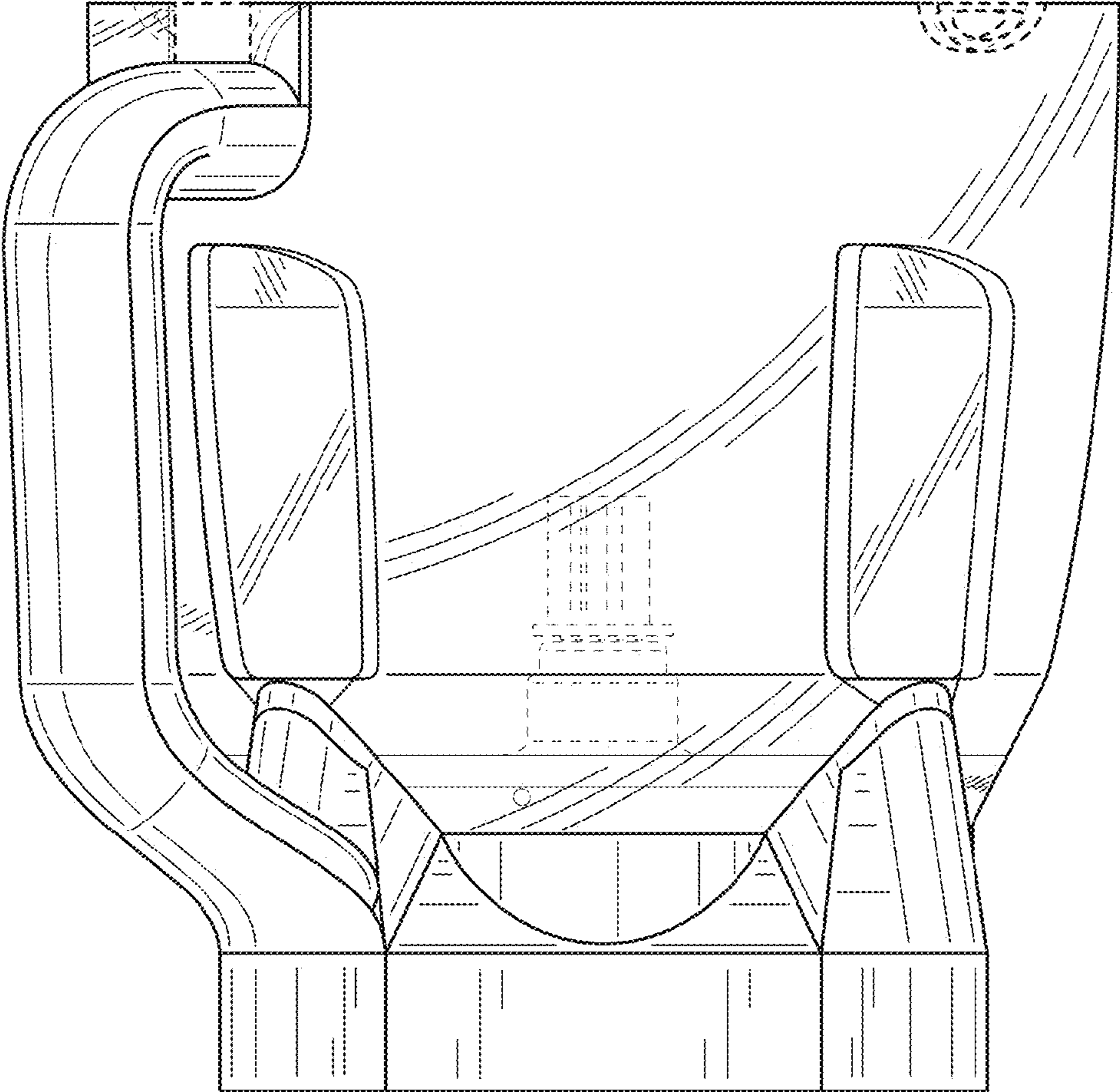


FIG. 3

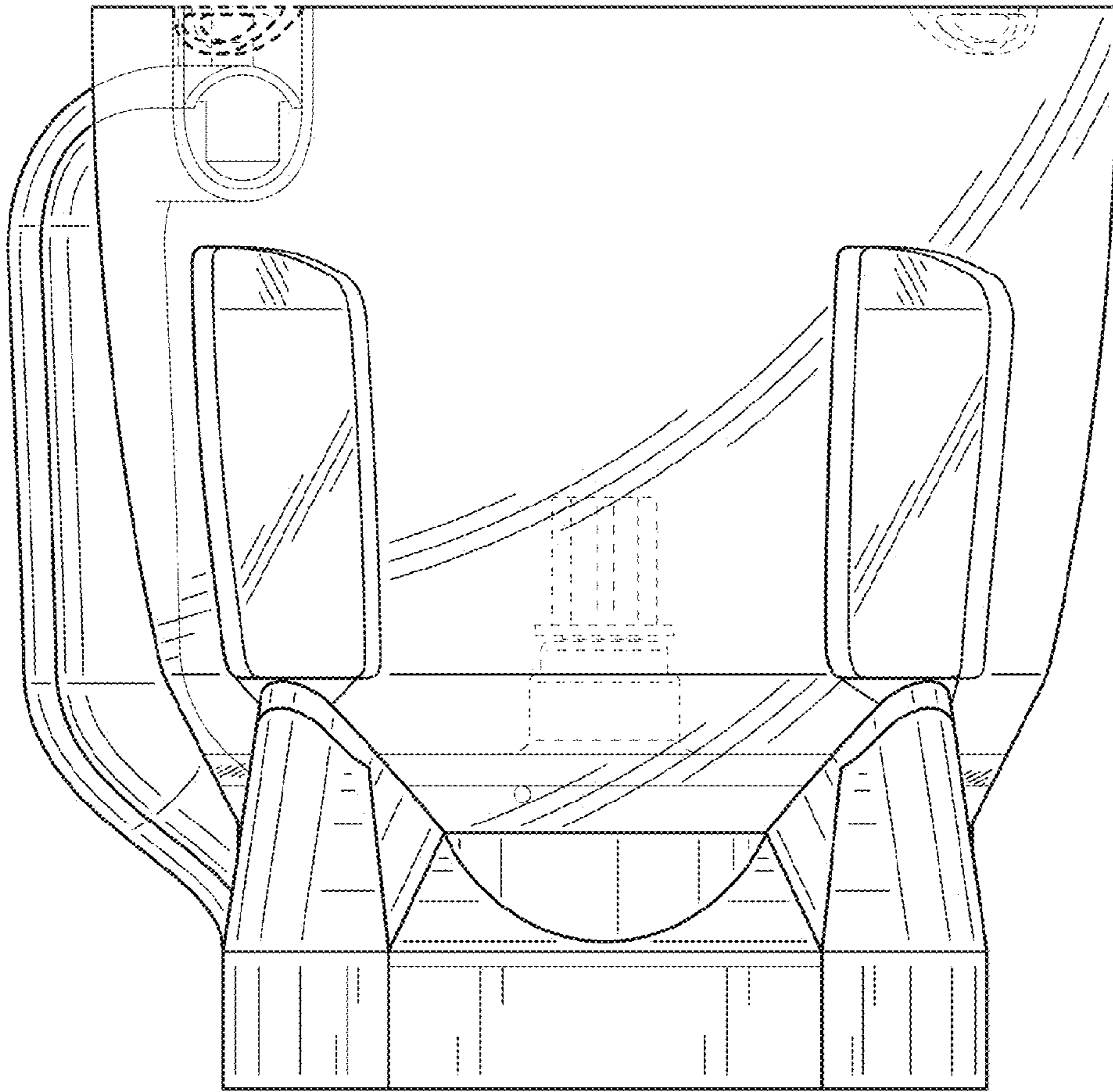


FIG. 4

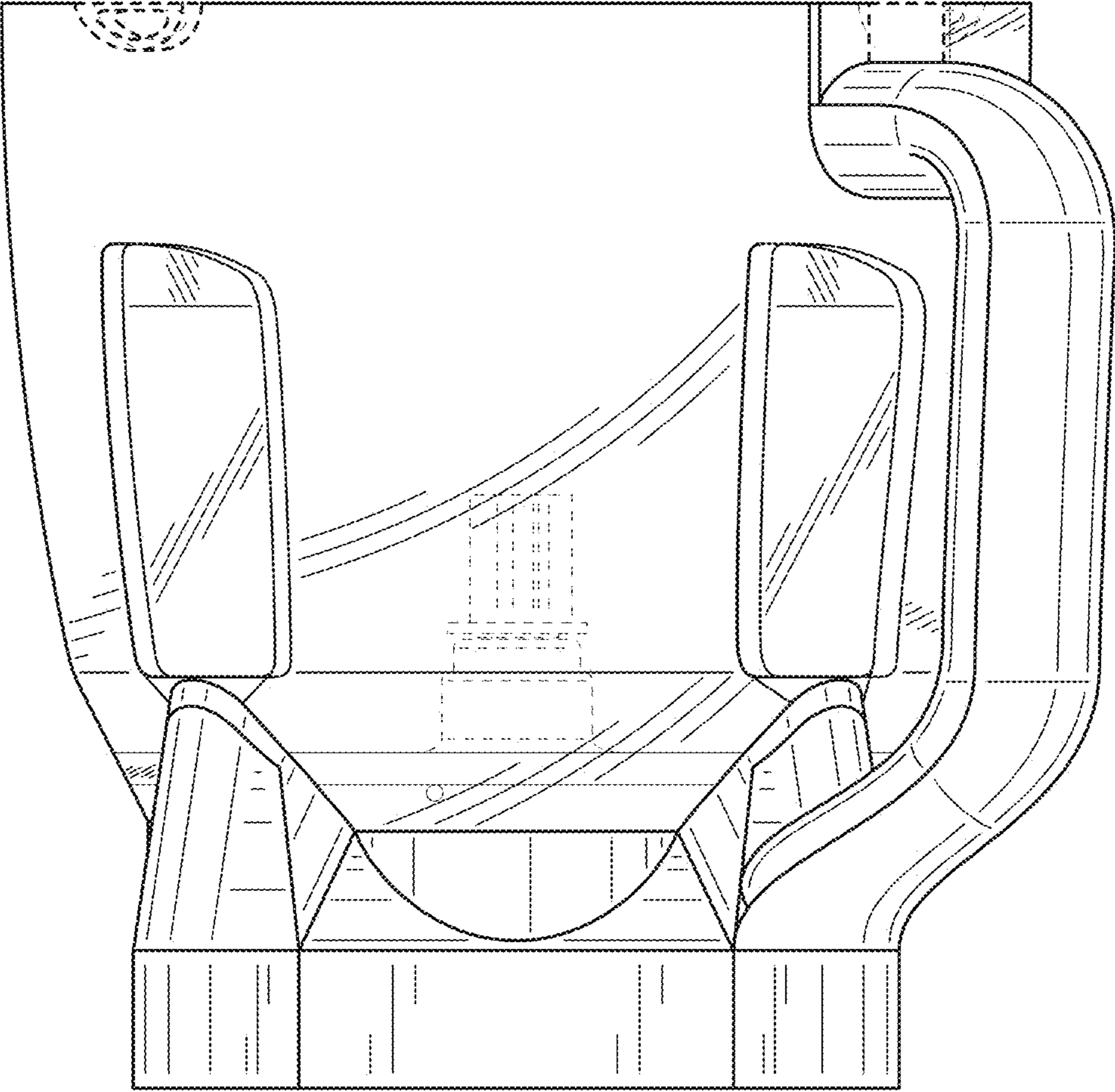


FIG. 5

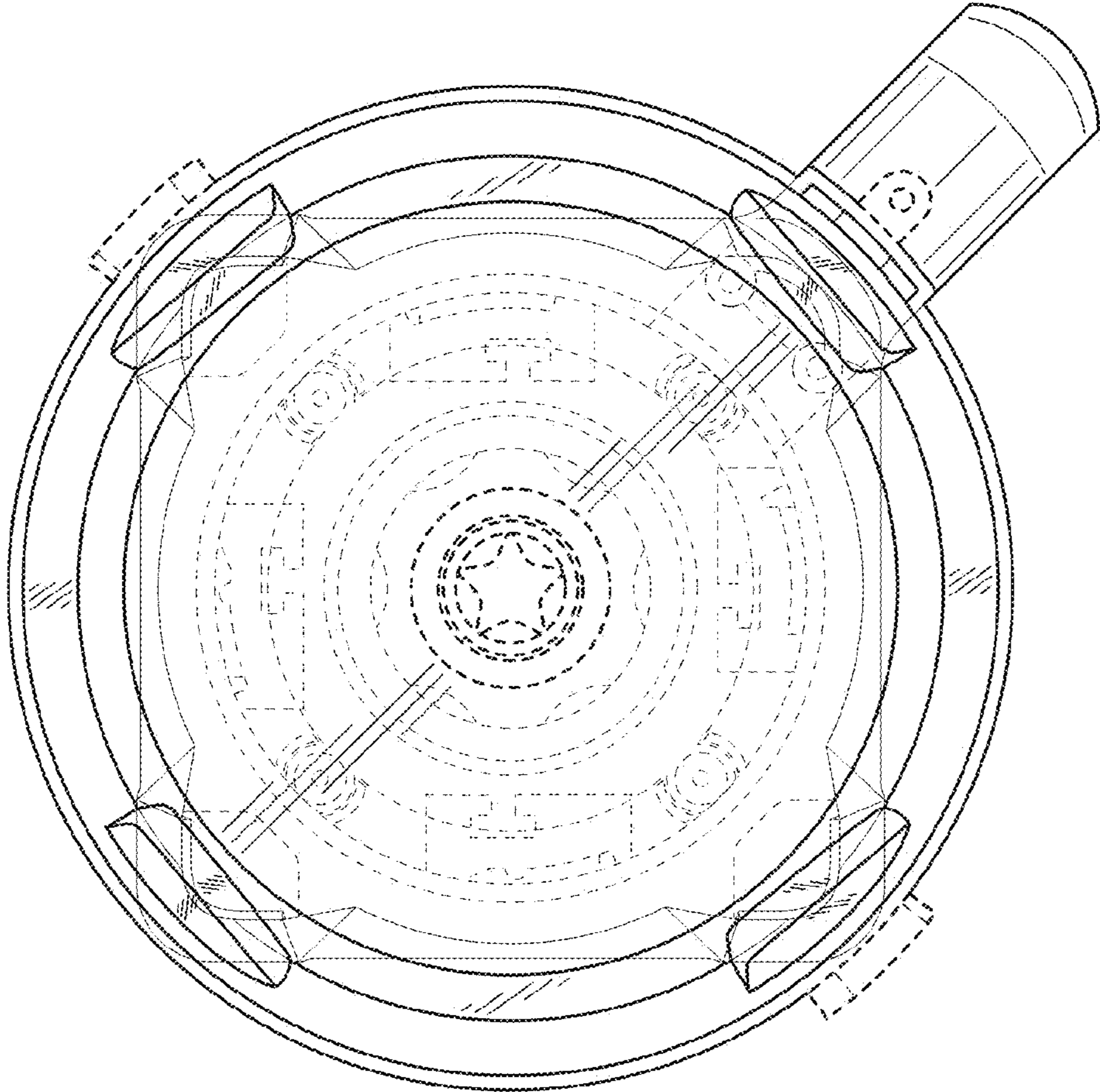


FIG. 6

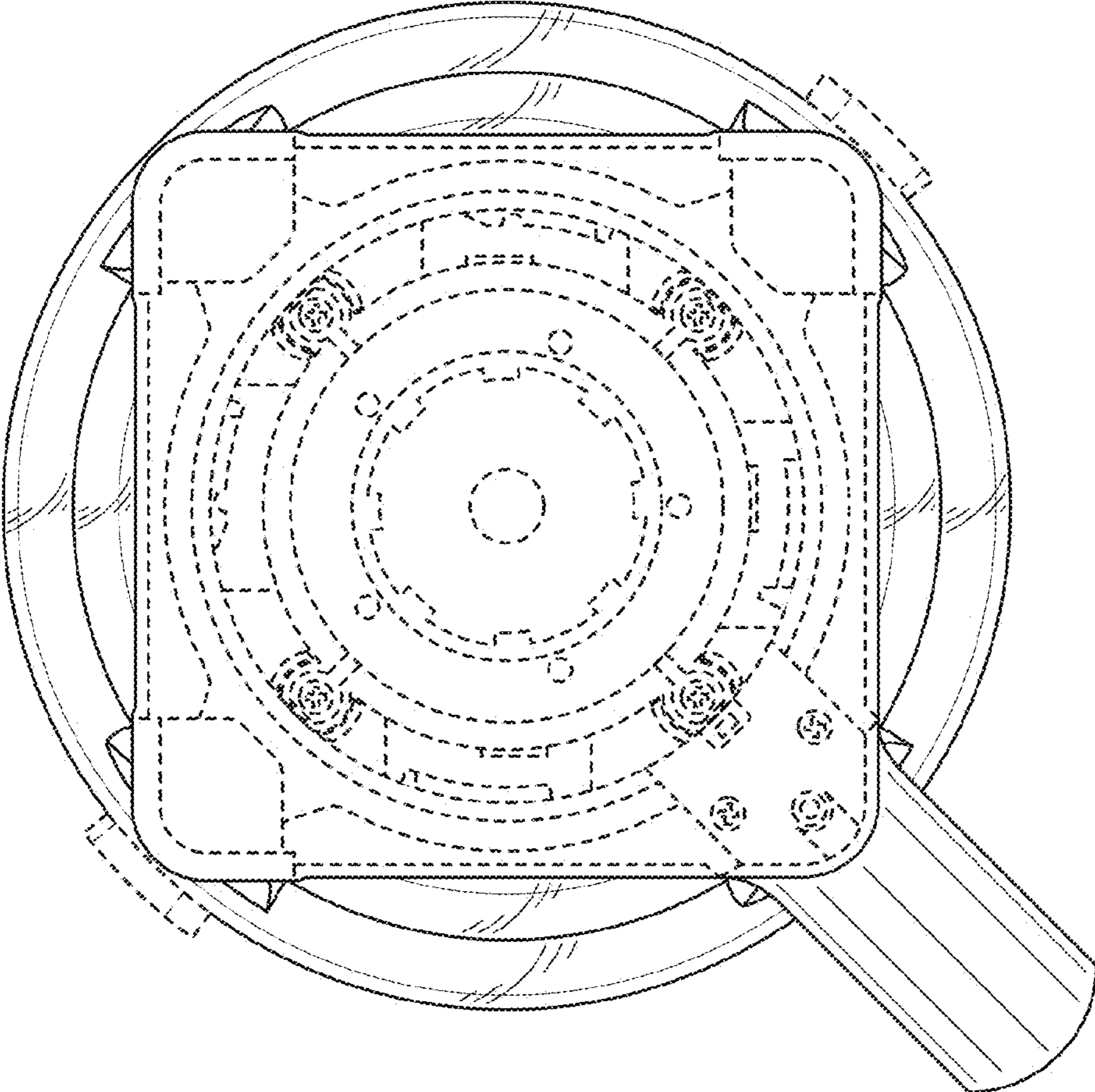


FIG. 7