



US00D702998S

(12) **United States Design Patent**
Fugere

(10) **Patent No.:** **US D702,998 S**
(45) **Date of Patent:** **** Apr. 22, 2014**

(54) **FOOD HOLDER**

(71) Applicant: **Vincent Fugere**, Cranston, RI (US)

(72) Inventor: **Vincent Fugere**, Cranston, RI (US)

(**) Term: **14 Years**

(21) Appl. No.: **29/448,165**

(22) Filed: **Mar. 11, 2013**

(51) **LOC (10) Cl.** **07-02**

(52) **U.S. Cl.**
USPC **D7/409**

(58) **Field of Classification Search**

USPC D6/513, 629, 672, 683.1, 686; D7/323,
D7/329-337, 339, 346-347, 350.1-350.4,
D7/352-367, 387-388, 391, 392.1, 393,
D7/395, 396.1, 402, 407-410, 500-505,
D7/538-545, 552.1, 552.2, 553.2,
D7/554.2-554.3, 555, 566, 584-587, 602,
D7/672-674, 698, 701, 705, 708;
D9/424-425, 456; D23/293.1, 386;
D34/32, 38; 99/324-325, 331-332,
99/337-349, 358, 369-376, 380, 389,
99/400-418, 421 H, 422-426, 444-446,
99/450, 483; 126/9 B, 25 R, 29, 30, 37 R,
126/41 R, 261, 275 R, 376.1, 378.1;
206/372, 501-505, 507-508, 518, 587;
211/41.1, 73, 85.4, 195; 219/386, 400,
219/405, 429-442, 450.1, 452.13, 460.1,
219/620-624, 725, 730-735;
220/4.21-4.24, 23.8, 315,
220/573.1-573.5, 626, 629, 675, 743, 756,
220/769, 912; 426/132, 438, 441, 549

See application file for complete search history.

(56) **References Cited**

U.S. PATENT DOCUMENTS

833,529 A * 10/1906 Jones 99/445
1,465,691 A * 8/1923 Snedeker 206/372

(Continued)

OTHER PUBLICATIONS

Pronto Products Co., 2010 Product Catalog.

Primary Examiner — Ricky Pham

(74) *Attorney, Agent, or Firm* — Salter & Michaelson

(57) **CLAIM**

The ornamental design for a food holder, as shown and described.

DESCRIPTION

FIG. 1 is a perspective view of a first embodiment of a food holder;

FIG. 2 is a top plan view of a first embodiment thereof;

FIG. 3 is a bottom plan view of a first embodiment thereof;

FIG. 4 is a front elevational view of a first embodiment thereof;

FIG. 5 is a rear elevational view of a first embodiment thereof;

FIG. 6 is a left side elevational view of a first embodiment thereof;

FIG. 7 is a right side elevational view of a first embodiment thereof;

FIG. 8 is a perspective view of a second embodiment thereof;

FIG. 9 is a top plan view of a second embodiment thereof;

FIG. 10 is a bottom plan view of a second embodiment thereof;

FIG. 11 is a front elevational view of a second embodiment thereof;

FIG. 12 is a rear elevational view of a second embodiment thereof;

FIG. 13 is a left side elevational view of a second embodiment thereof;

FIG. 14 is a right side elevational view of a second embodiment thereof;

FIG. 15 is a perspective view of a third embodiment thereof;

FIG. 16 is a top plan view of a third embodiment thereof;

FIG. 17 is a bottom plan view of a third embodiment thereof;

FIG. 18 is a front elevational view of a third embodiment thereof;

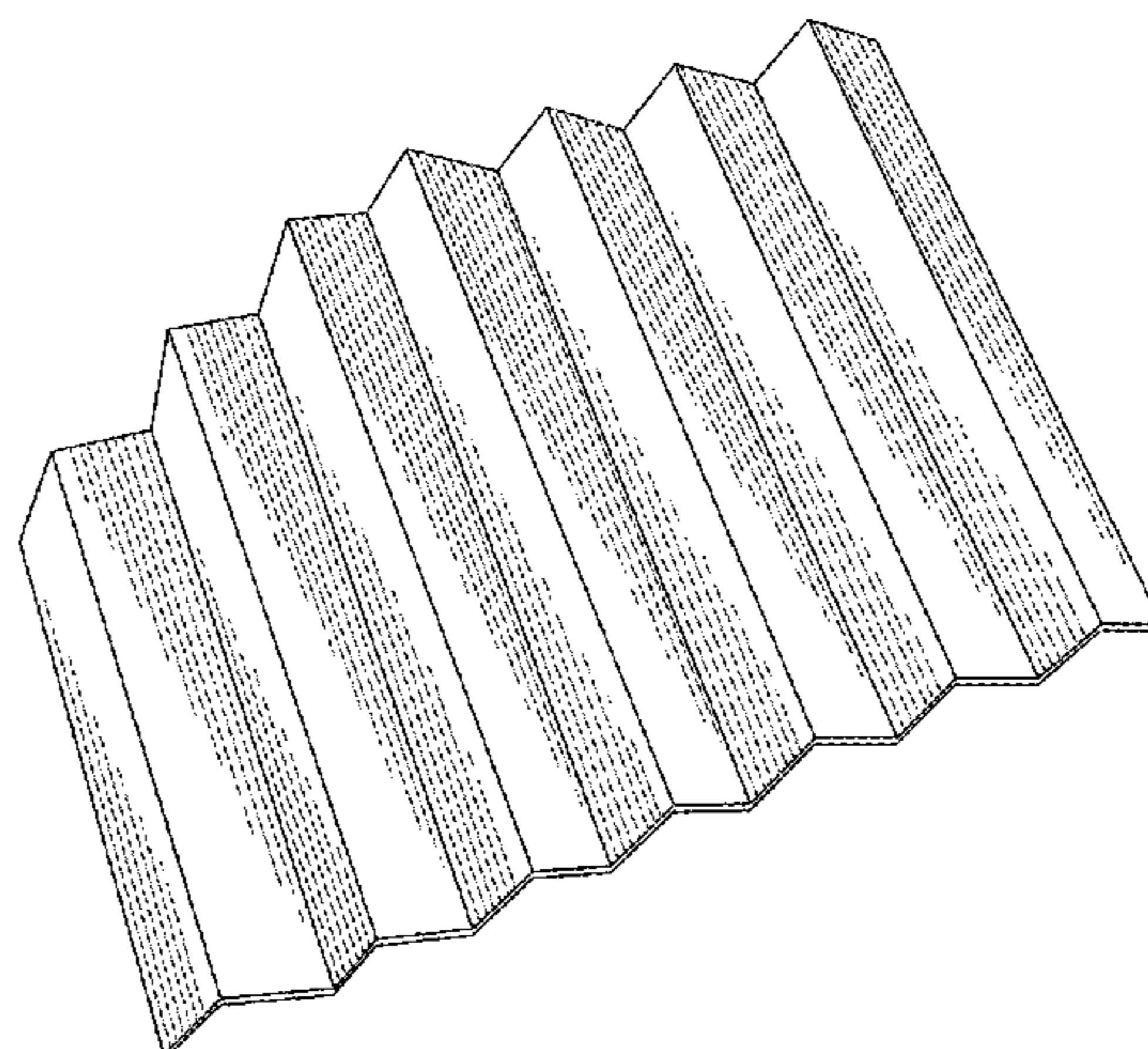
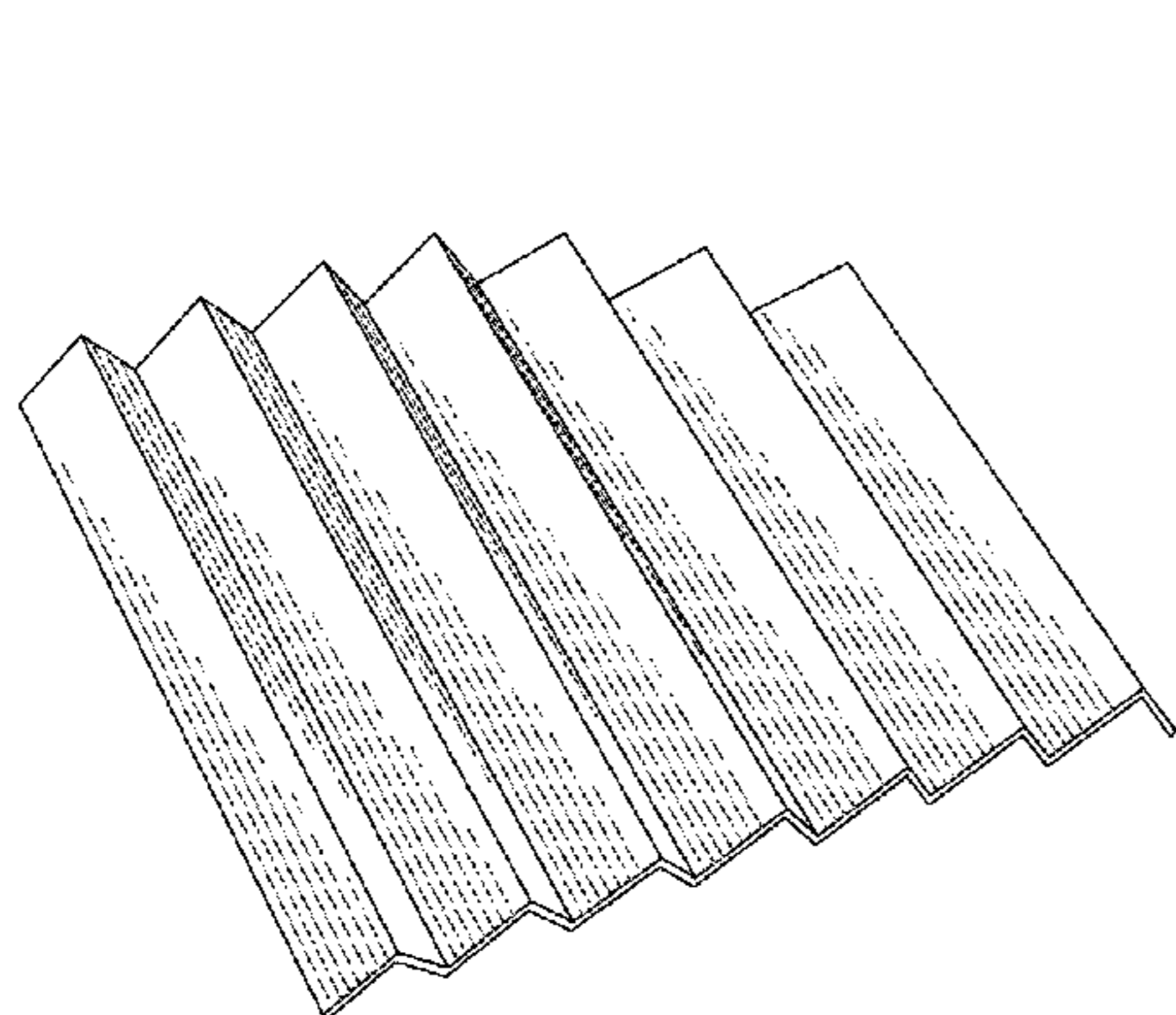
FIG. 19 is a rear elevational view of a third embodiment thereof;

FIG. 20 is a left side elevational view of a third embodiment thereof;

FIG. 21 is a right side elevational view of a third embodiment thereof; and,

FIG. 22 is a perspective view showing the food holder in use. The portions shown in broken lines are included for illustrative purposes only and form no part of the claimed design.

1 Claim, 10 Drawing Sheets



(56)

References Cited

U.S. PATENT DOCUMENTS

D200,699	S *	3/1965	Pappas	D6/476	5,628,245	A *	5/1997	Baze	99/426
D206,304	S *	11/1966	Pinzke	D6/476	5,714,740	A *	2/1998	Kelly et al.	219/732
3,559,866	A *	2/1971	Olson, Sr.	206/587	5,810,182	A *	9/1998	Levin	211/195
4,121,510	A *	10/1978	Frederick	99/425	D404,968	S *	2/1999	Lin	D7/409
D259,010	S *	4/1981	Klatt	D7/504	D414,068	S *	9/1999	Fells et al.	D6/629
4,832,208	A *	5/1989	Finnegan	211/73	6,024,081	A *	2/2000	Libertini, Jr.	126/41 R
4,885,989	A *	12/1989	Korpan	99/450	6,164,461	A *	12/2000	Ward et al.	211/41.1
D310,462	S *	9/1990	Schoen	D7/504	6,188,055	B1	2/2001	Walters	
D311,339	S *	10/1990	Weed	D9/456	D454,749	S *	3/2002	Georgiadis et al.	D6/629
D312,125	S *	11/1990	Epner et al.	D23/386	6,359,272	B1	3/2002	Sadek et al.	
D312,946	S *	12/1990	Schoen	D7/504	6,601,758	B2	8/2003	Lizzio	
5,009,151	A *	4/1991	Hungerford	99/445	6,648,154	B2 *	11/2003	Awalt	211/85.4
5,151,568	A *	9/1992	Ripley	219/732	D485,466	S *	1/2004	Haruhiro	D6/629
D334,867	S *	4/1993	May	D7/504	D499,607	S *	12/2004	Lyon	D7/504
D344,434	S *	2/1994	Endara	D7/409	D510,823	S *	10/2005	Ng et al.	D6/480
D352,454	S *	11/1994	Krupa	D9/425	D523,610	S *	6/2006	Kissell	D34/38
D353,302	S *	12/1994	Fish	D7/504	D539,090	S *	3/2007	Schullek	D7/504
5,453,574	A *	9/1995	Zuran et al.	126/41 R	7,387,231	B2	6/2008	Yandian et al.	
D363,410	S *	10/1995	Hazen	D7/359	D579,719	S *	11/2008	King et al.	D7/409
5,482,724	A *	1/1996	Morici et al.		7,506,763	B2	3/2009	Hatcher	
D374,582	S *	10/1996	Chu	D6/513	D602,673	S *	10/2009	Allen	D34/32
						7,762,400	B2	7/2010	Hall et al.	
						8,584,580	B2 *	11/2013	Barrett	99/422

* cited by examiner

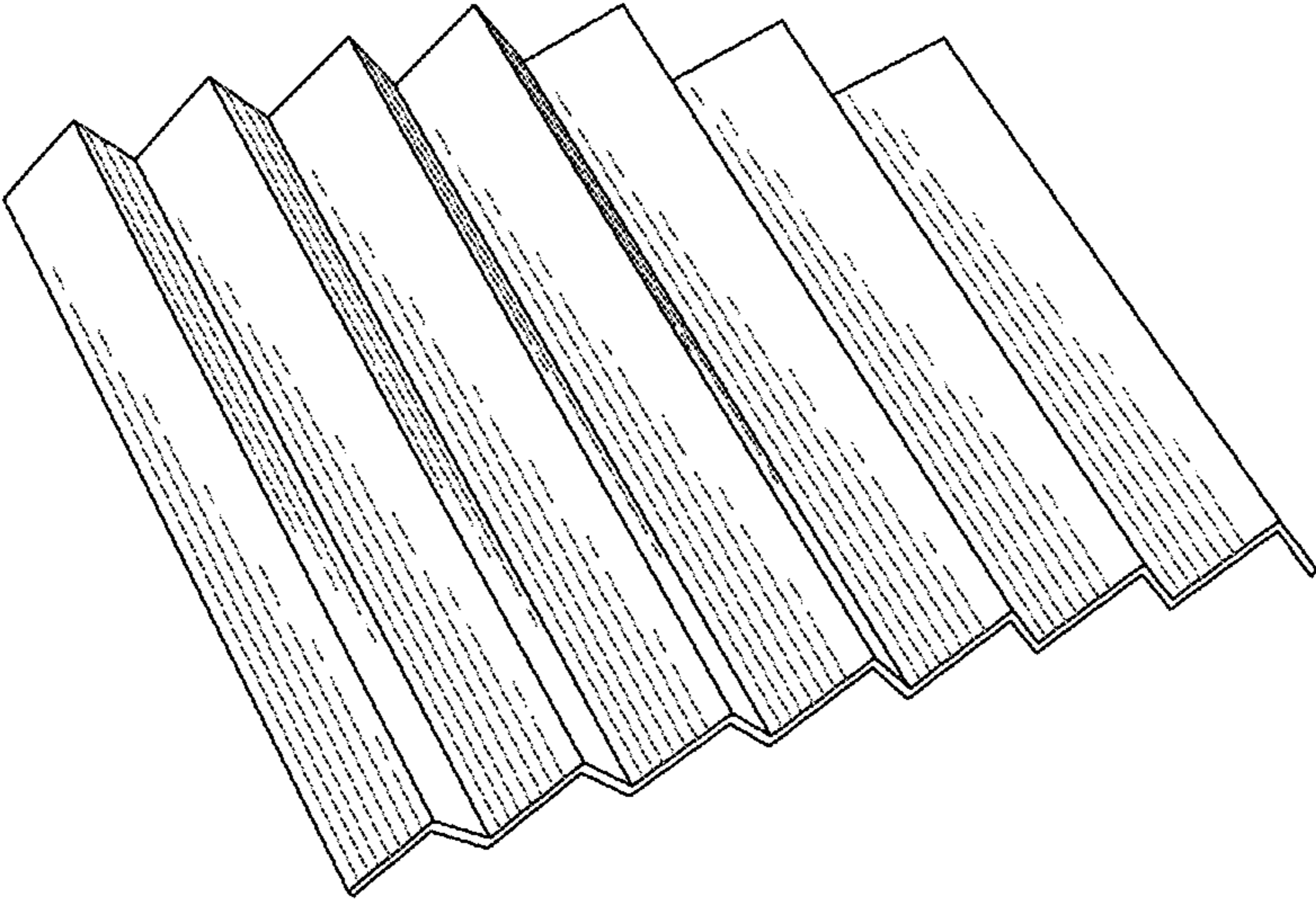


FIG. 1

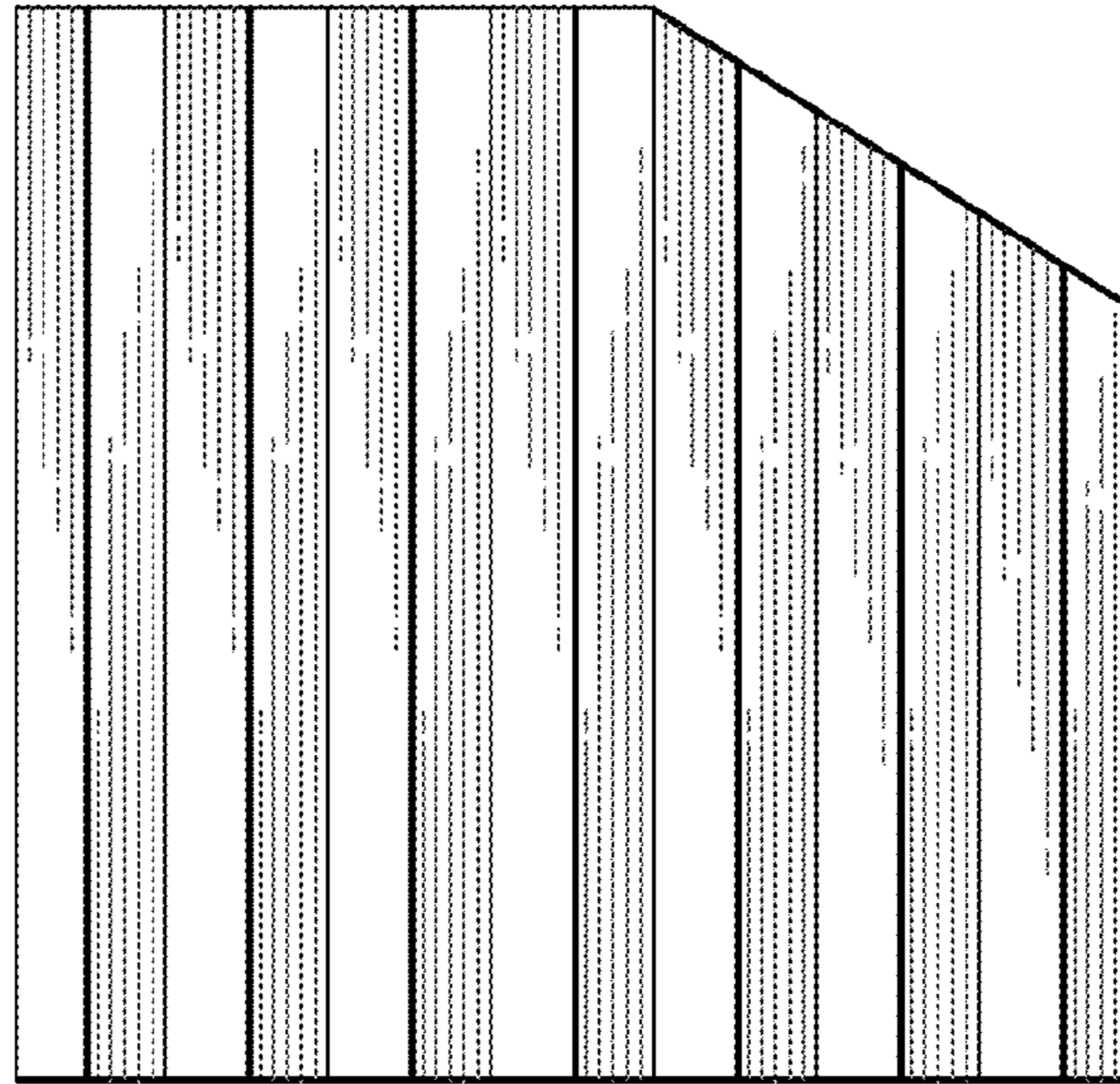


FIG. 2

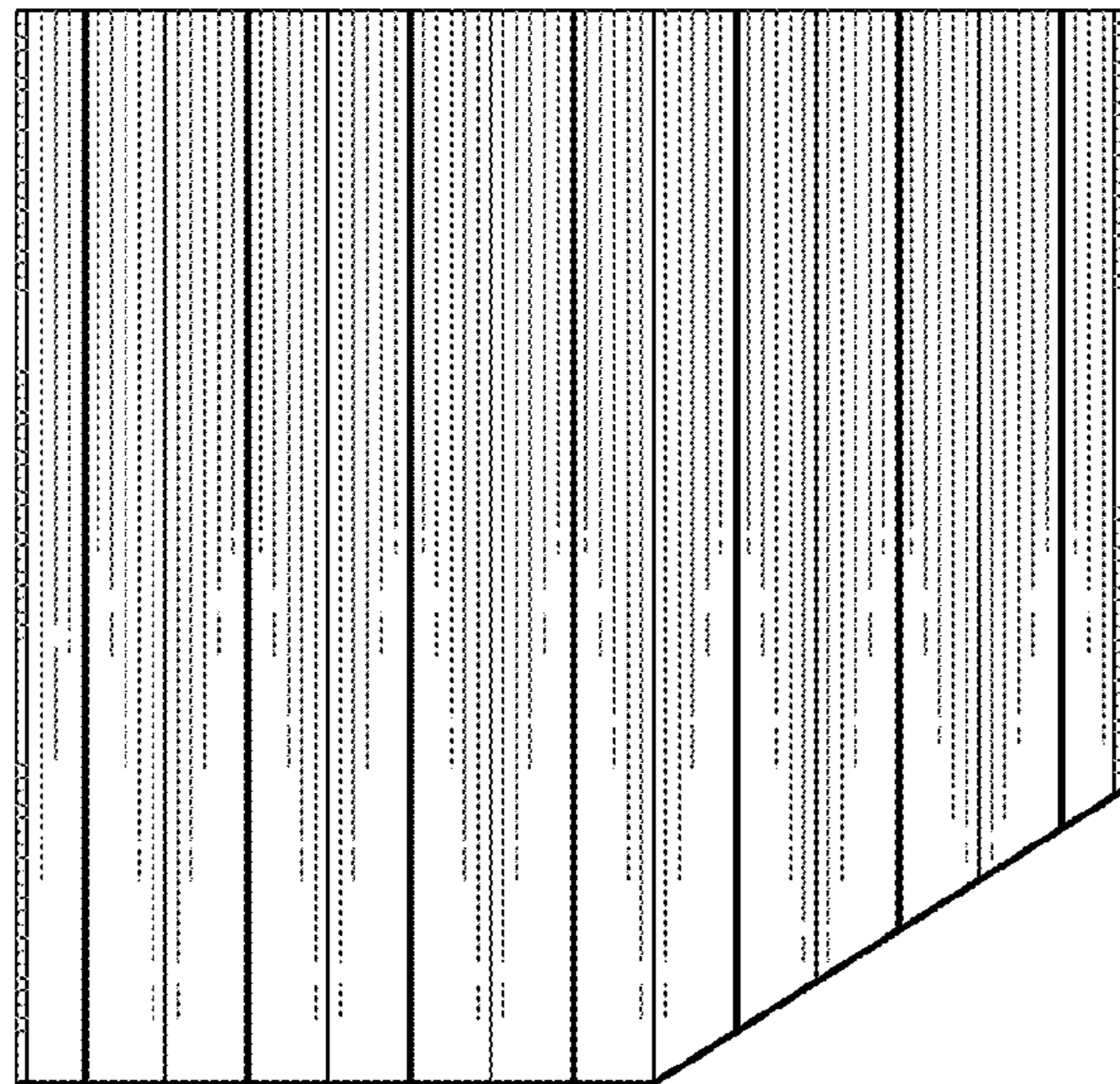


FIG. 3



FIG. 4



FIG. 5

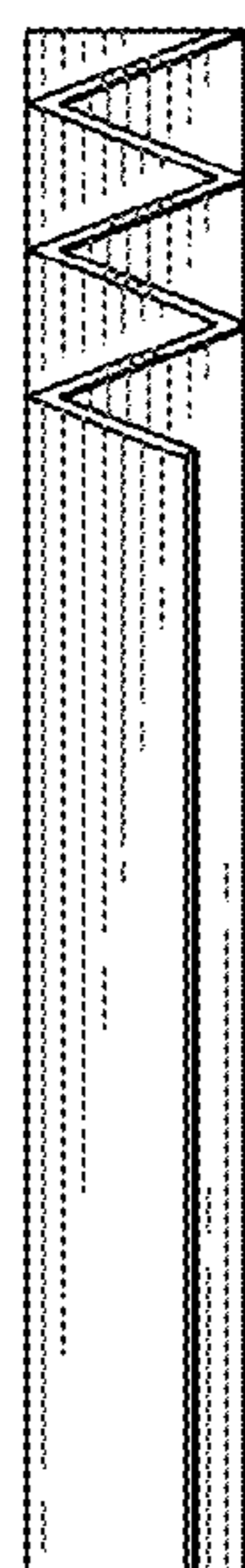


FIG. 6

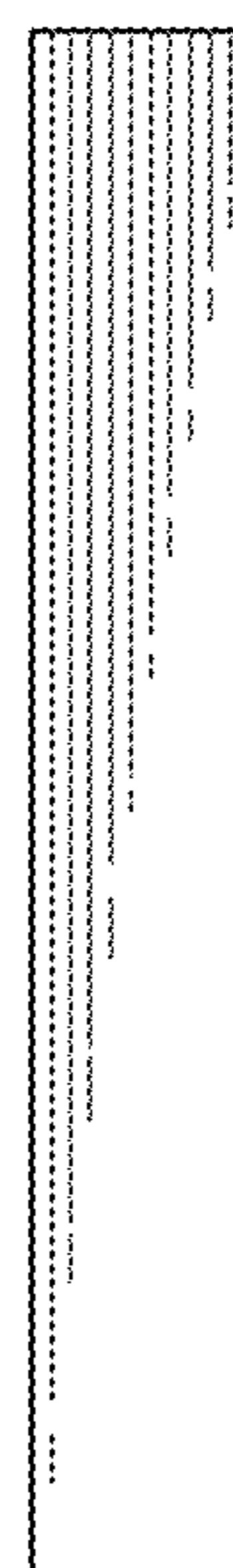


FIG. 7

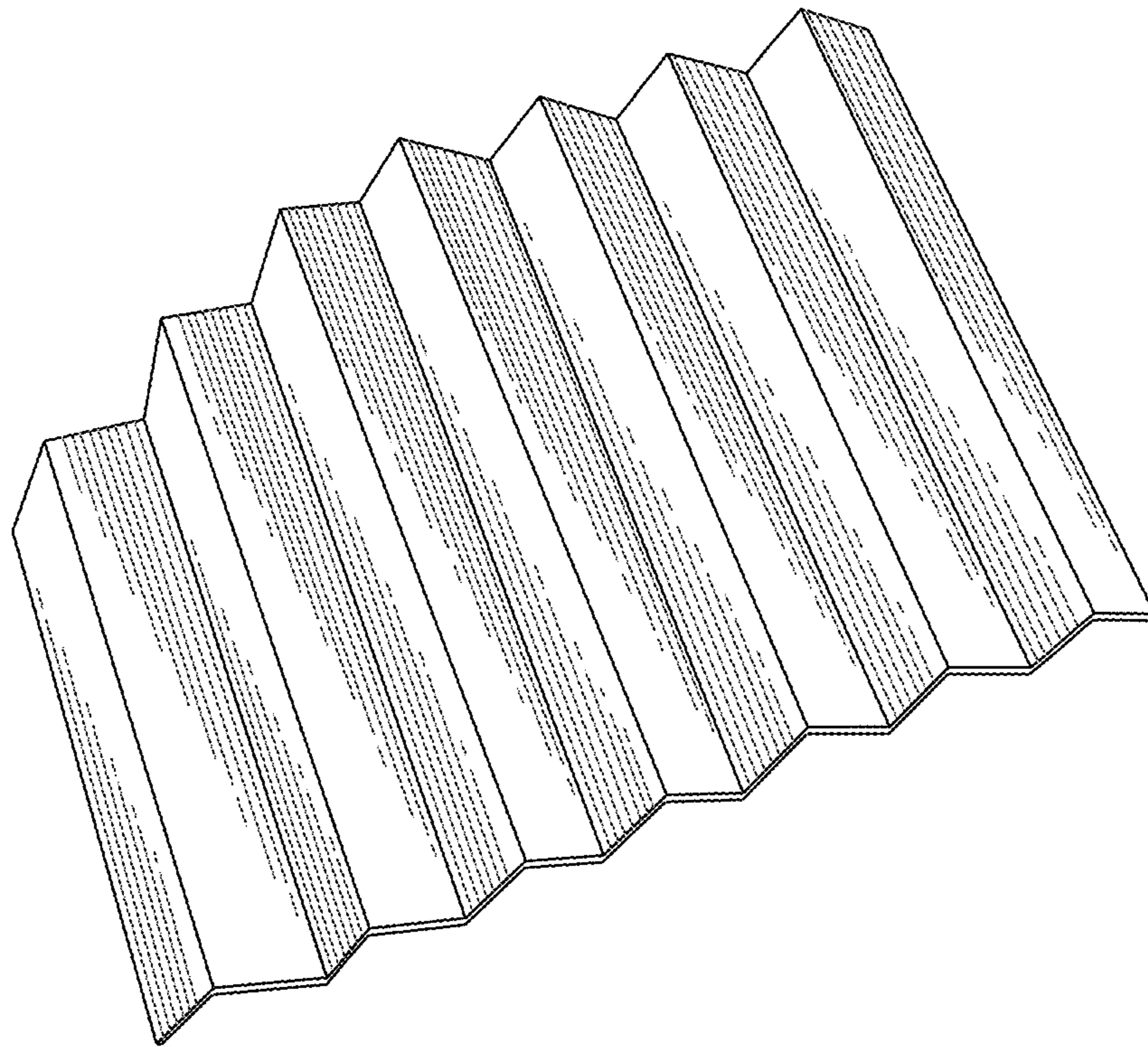


FIG. 8

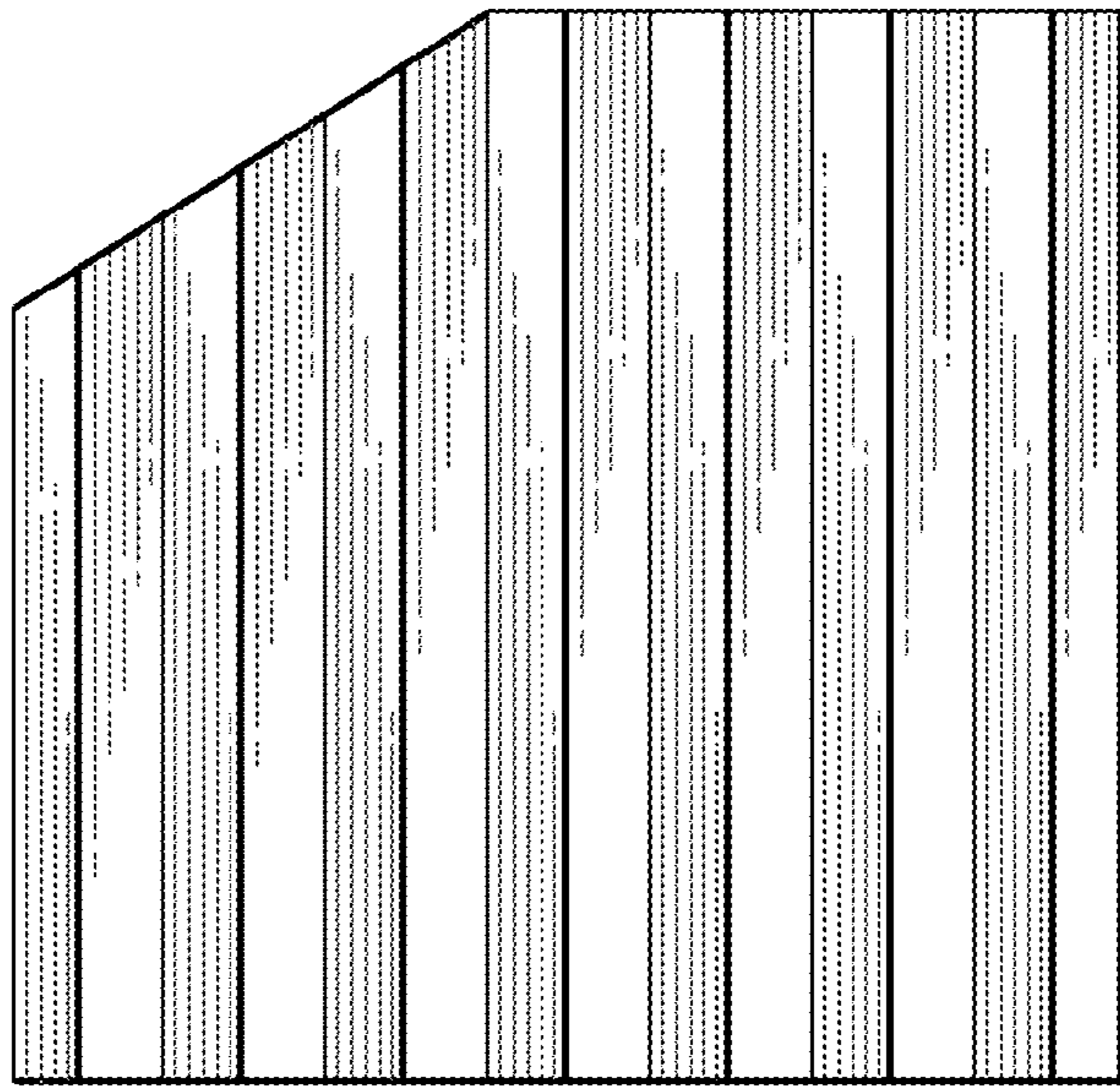


FIG. 9

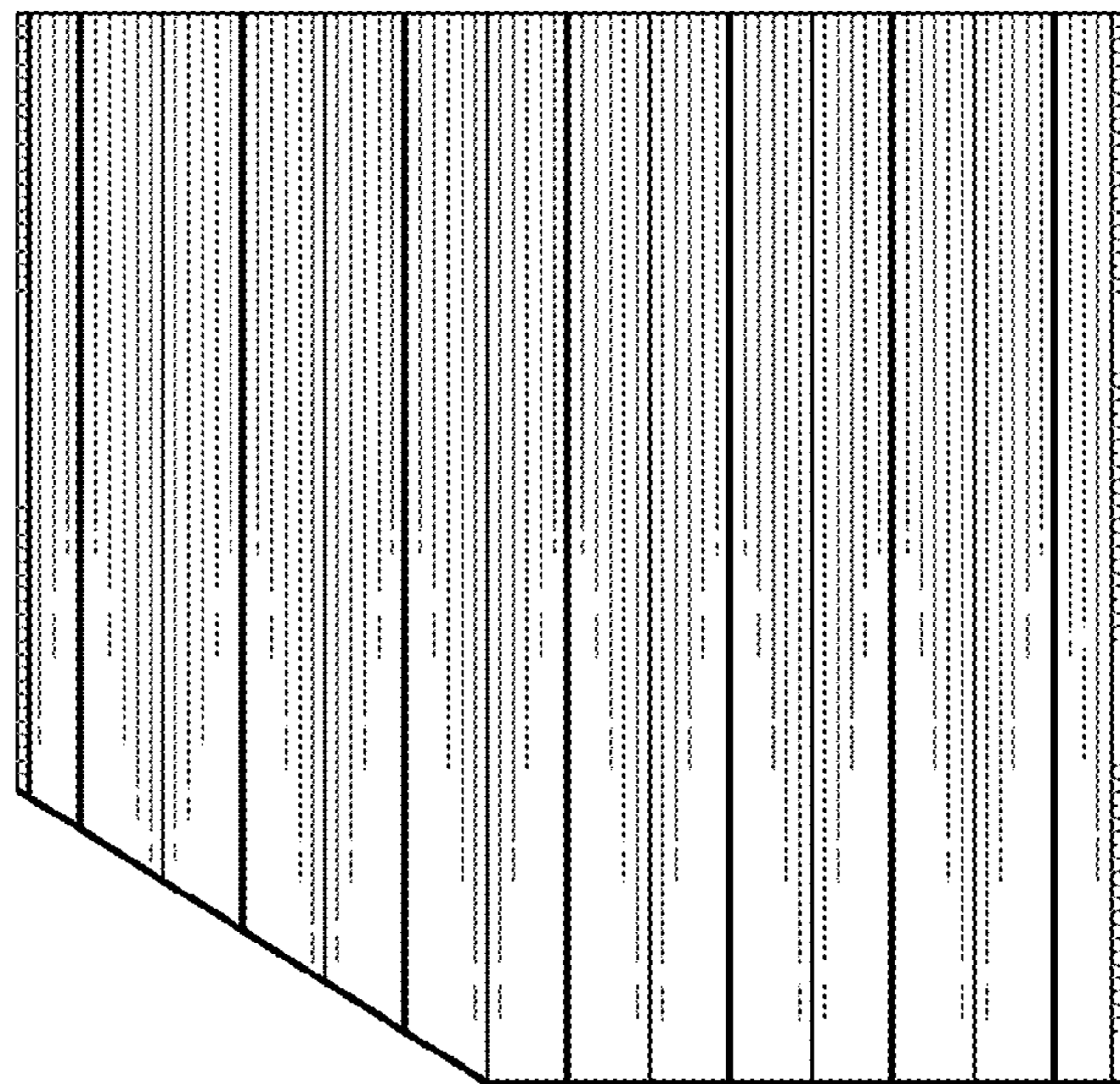


FIG. 10



FIG. 11



FIG. 12

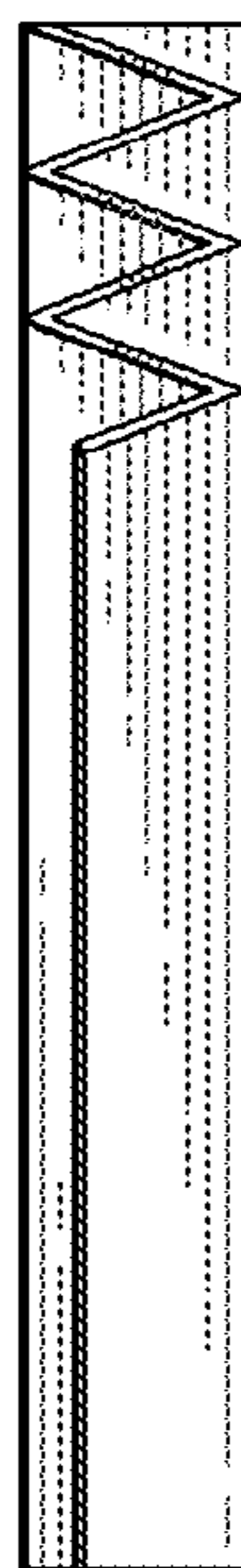


FIG. 13

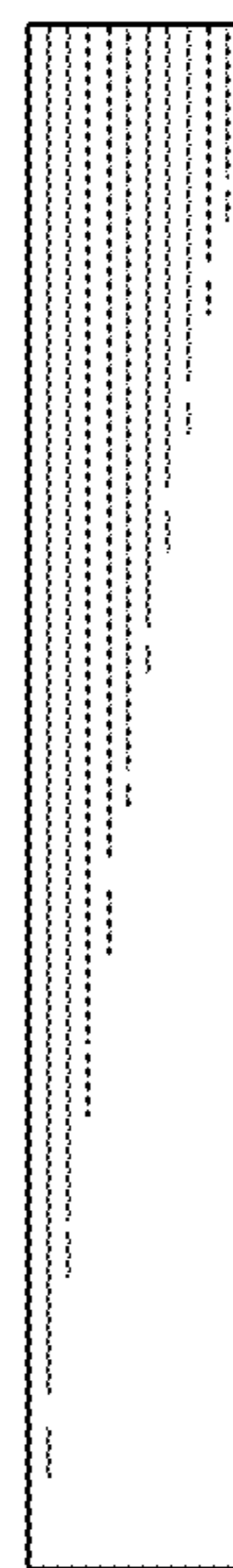


FIG. 14

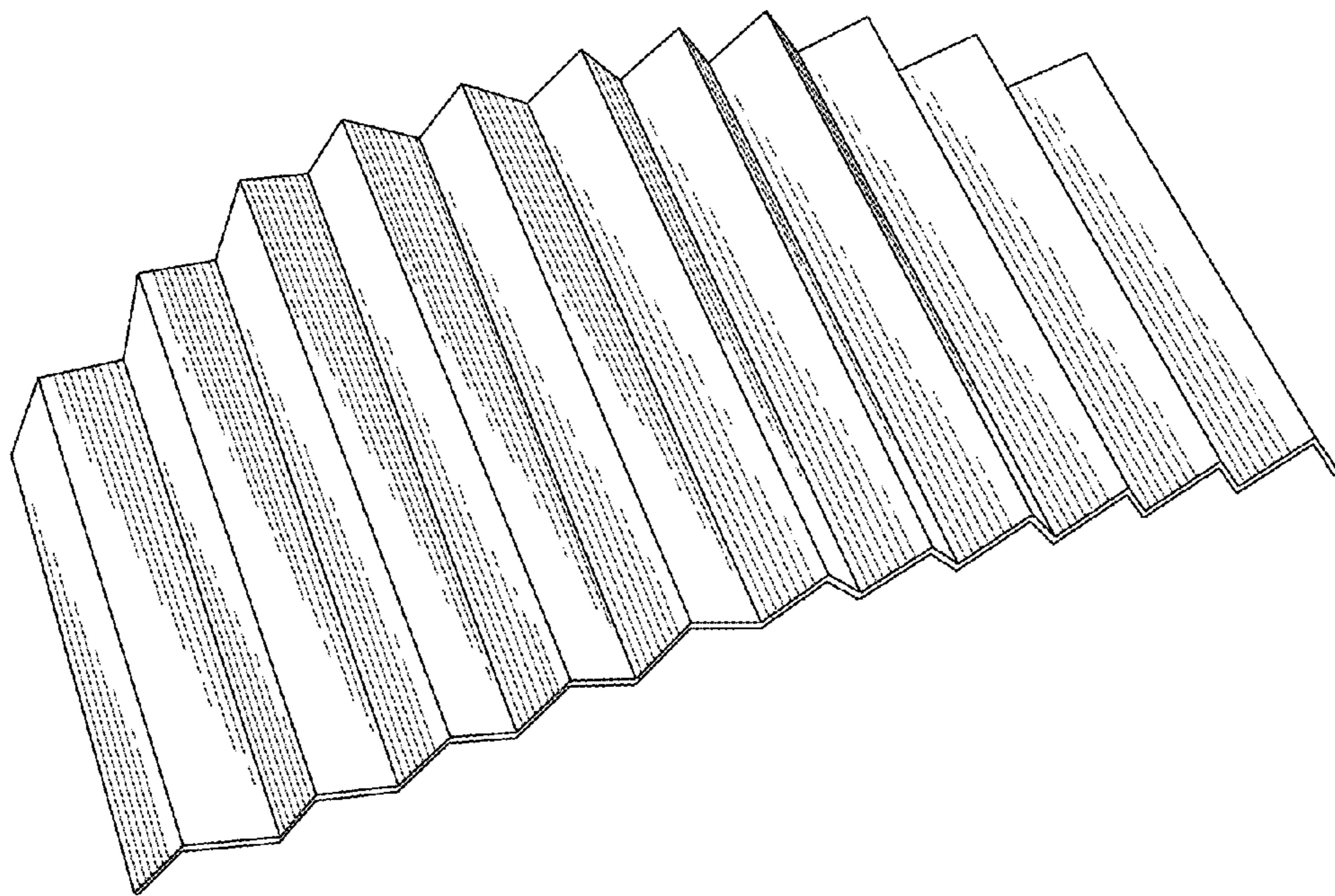


FIG. 15

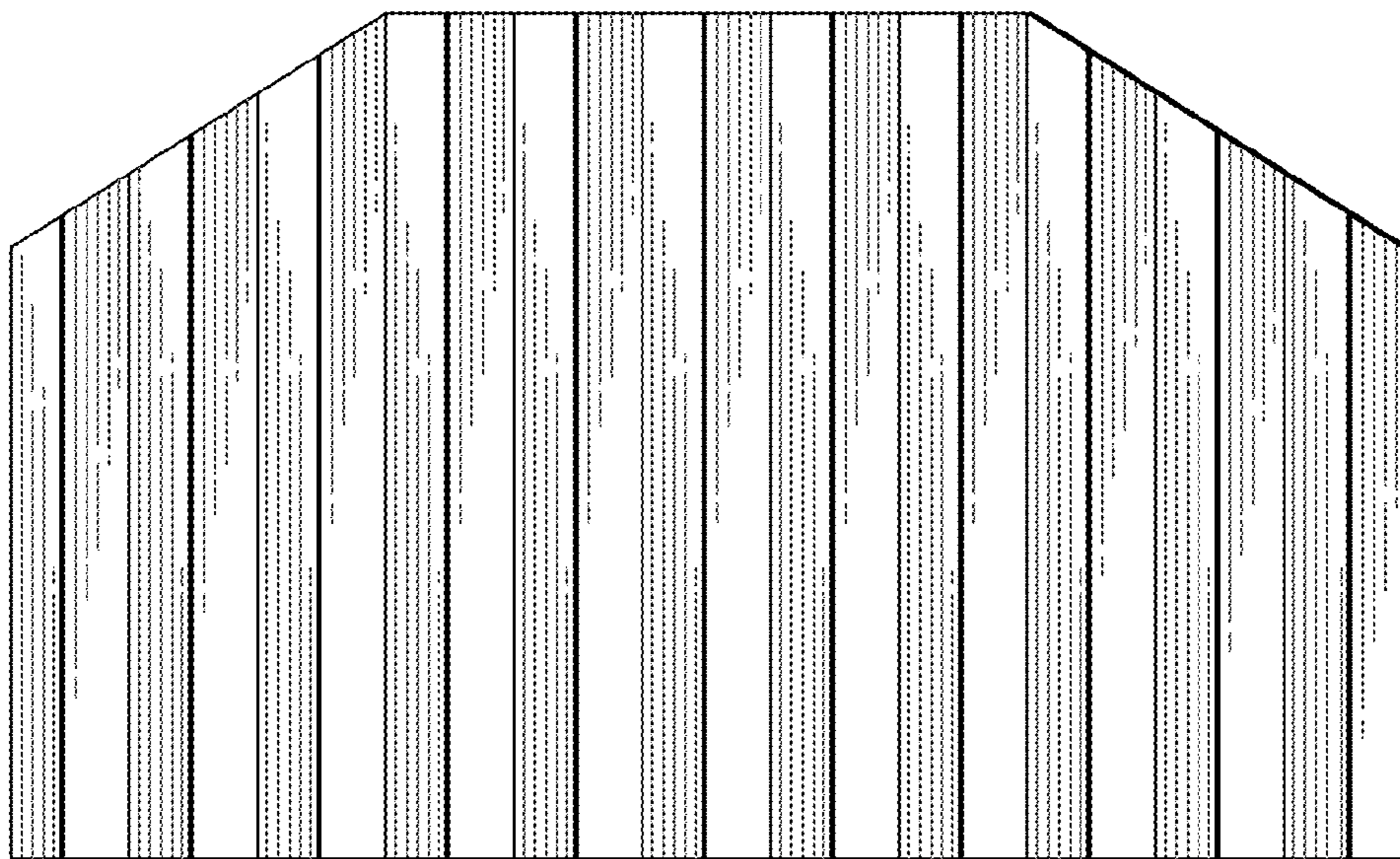


FIG. 16

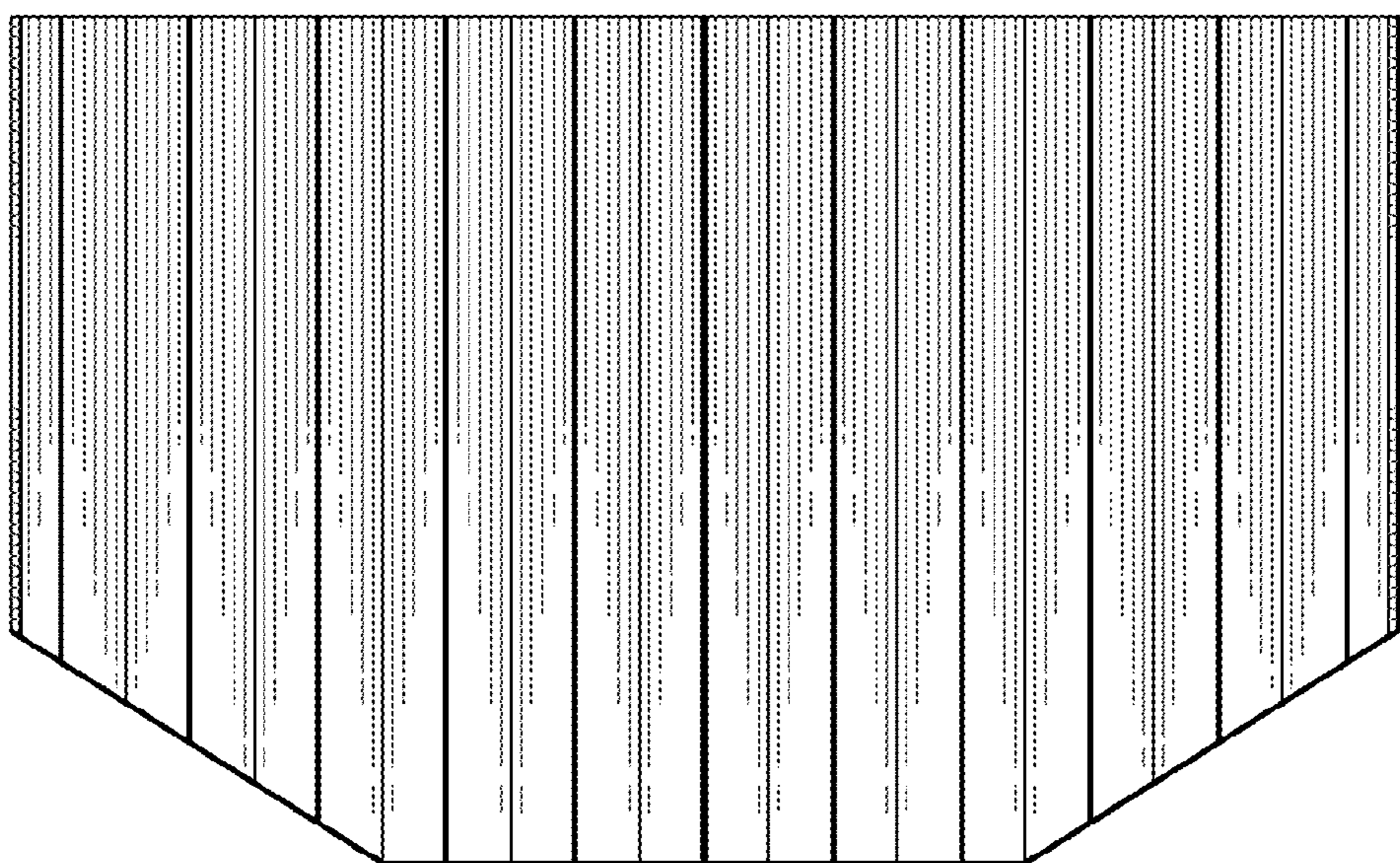


FIG. 17



FIG. 18



FIG. 19

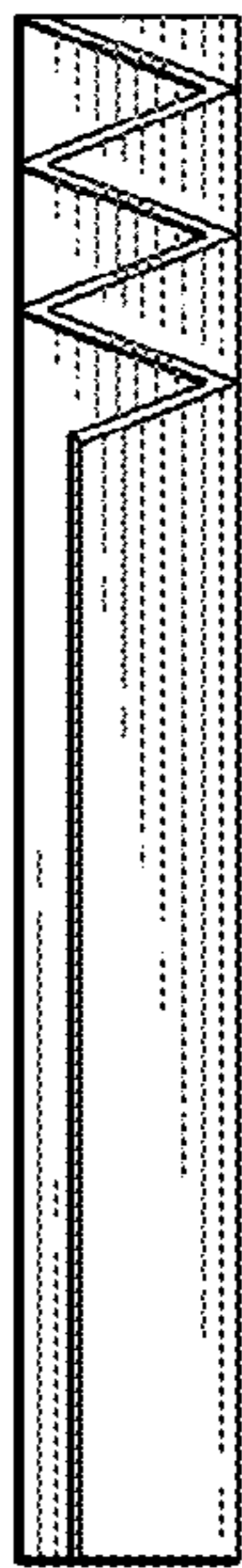


FIG. 20

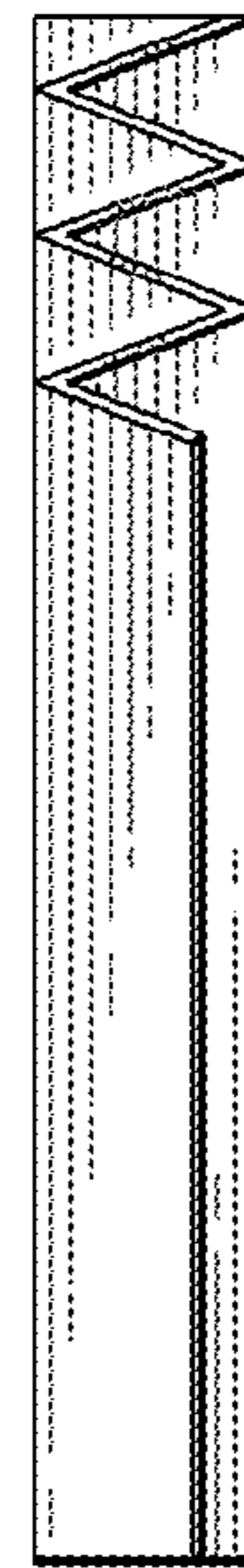


FIG. 21

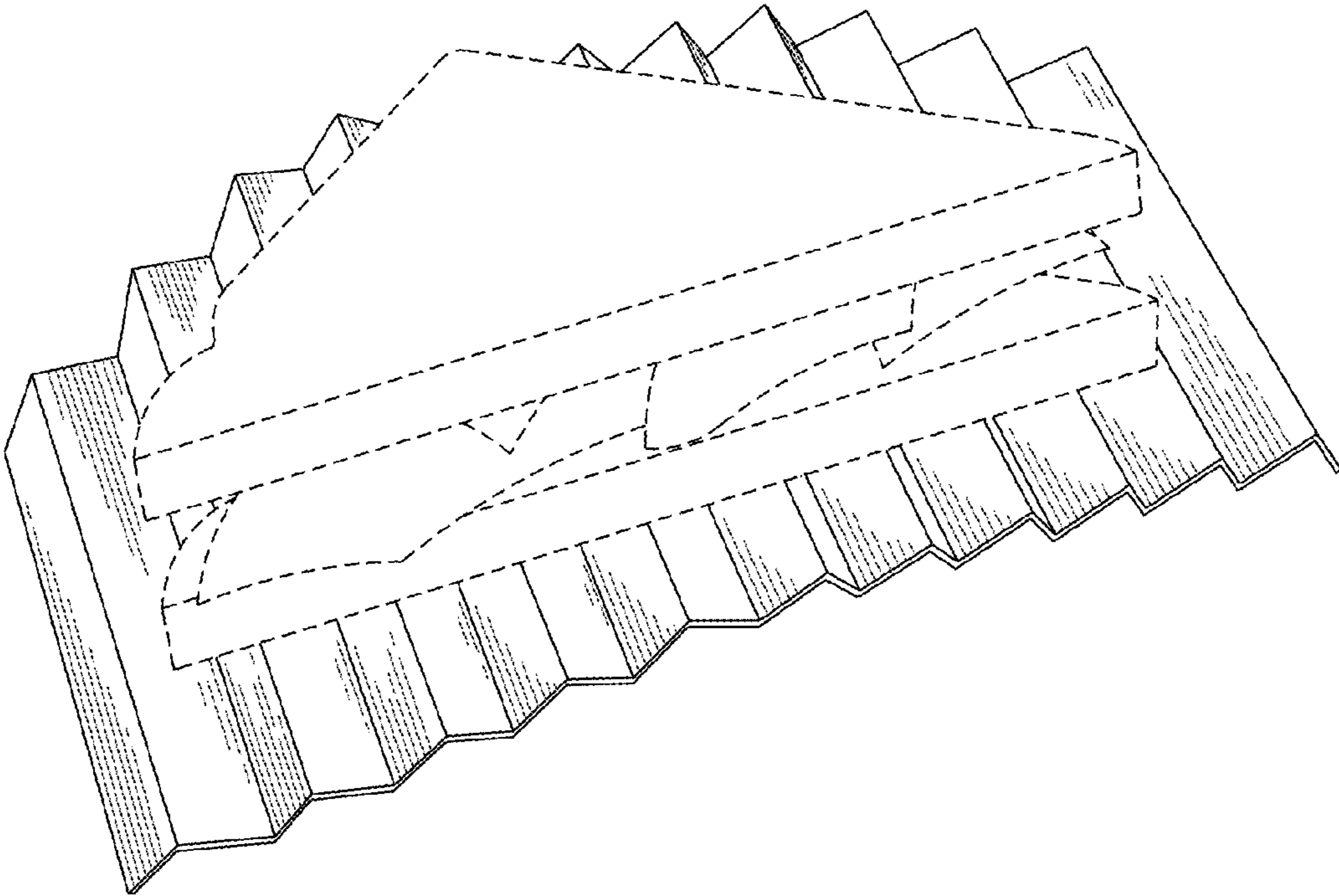


FIG. 22