



US00D702997S

(12) **United States Design Patent**
Cloutier

(10) **Patent No.:** **US D702,997 S**

(45) **Date of Patent:** **** Apr. 22, 2014**

(54) **EGG PAN INSERT**

(75) Inventor: **Andre Dean Cloutier**, Blaine, WA (US)

(73) Assignee: **Magellan Group Ltd.**, Blaine, WA (US)

(**) Term: **14 Years**

(21) Appl. No.: **29/412,412**

(22) Filed: **Feb. 2, 2012**

Related U.S. Application Data

(63) Continuation-in-part of application No. 13/297,075, filed on Nov. 15, 2011.

(51) **LOC (10) Cl.** **07-02**

(52) **U.S. Cl.**
USPC **D7/409; D7/354**

(58) **Field of Classification Search**

USPC D6/566, 675.5, 678.4, 680.3, 706;
D7/307, 323, 329-332, 339, 346-347,
D7/350.1-350.4, 353-367, 391-392,
D7/392.1, 393, 395, 402, 406, 409,
D7/538-542, 600-601, 610-611;
99/324-325, 331-343, 369, 400-418,
99/422, 425, 426, 440, 450-451, 483;
126/9 R, 37 R, 261, 374.1, 378.1, 381.1,
126/385.1; 206/501-505, 507-509, 513;
211/41.3, 74, 85.26, 85.31, 126.9, 134,
211/153, 181.1; 219/400, 405, 429-442,
219/620-624, 725, 730-735; 220/6,
220/203.05, 203.07, 203.09, 298, 315-316,
220/491, 573.1-573.5, 912; 248/153;
426/438, 441

See application file for complete search history.

(56) **References Cited**

U.S. PATENT DOCUMENTS

2,190,065	A *	2/1940	Griffin	211/85.26
2,620,083	A *	12/1952	Moorhead	206/509
D181,366	S *	11/1957	Miller	D6/462
3,524,565	A *	8/1970	Wilson	220/491
3,606,025	A *	9/1971	Wilson	211/126.9
3,762,593	A *	10/1973	Beretta	220/6
3,887,073	A *	6/1975	Wilson	206/507
3,905,286	A *	9/1975	Le Grady	99/450
4,191,160	A *	3/1980	Elliott	126/9 R
4,444,320	A *	4/1984	Chap	211/134
4,821,885	A *	4/1989	Ondrasik	206/513
4,930,642	A *	6/1990	Brooks et al.	211/85.31
D314,487	S *	2/1991	Bajek et al.	D6/566
D324,787	S *	3/1992	Evans	D6/411
5,097,971	A *	3/1992	Norris et al.	211/126.6
5,103,799	A *	4/1992	Atanasio	126/9 R
5,139,139	A *	8/1992	Goetz	
6,520,354	B1 *	2/2003	Skvorecz	211/181.1
D485,706	S *	1/2004	O'Connell Cooper et al.	D6/462
D495,213	S *	8/2004	Compagnucci	D7/601

(Continued)

Primary Examiner — Ricky Pham

(74) *Attorney, Agent, or Firm* — Dwayne E. Rogge; Schacht Law Office, Inc.

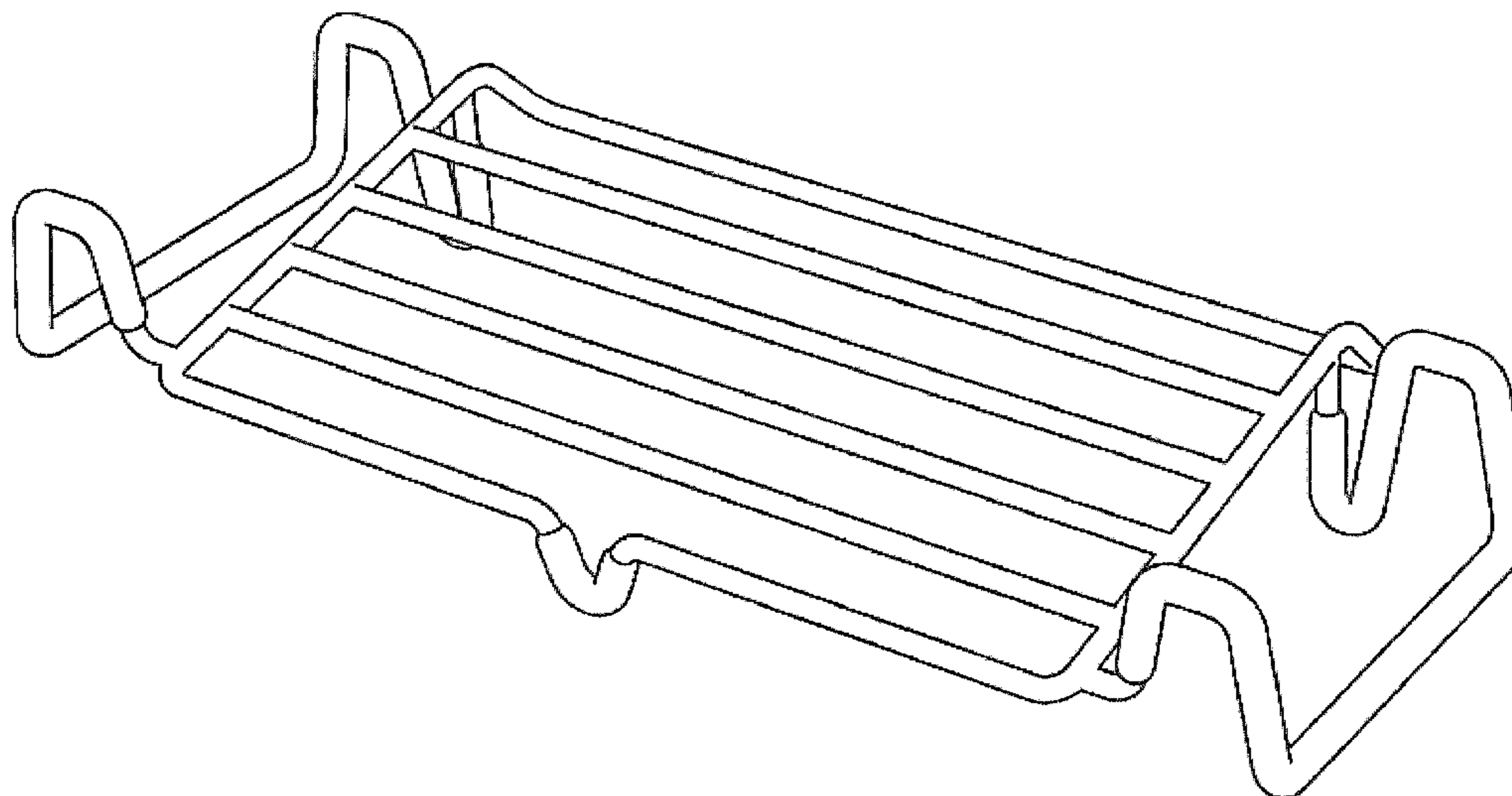
(57) **CLAIM**

The ornamental design for an egg pan insert, as shown and described.

DESCRIPTION

FIG. 1 is a perspective view thereof.
FIG. 2 is a right side view thereof with the left side view being a mirror image thereof.
FIG. 3 is a rear view thereof.
FIG. 4 is a front view thereof.
FIG. 5 is a top view thereof.
FIG. 6 is a bottom view thereof; and,
FIG. 7 is a shaded perspective view thereof.

1 Claim, 5 Drawing Sheets



(56)

References Cited

U.S. PATENT DOCUMENTS

7,281,469 B1 *	10/2007	Barbour et al.	99/426	7,954,772 B2 *	6/2011	Skvorecz	248/153
D568,077 S *	5/2008	Klein et al.	D6/509	7,967,155 B2 *	6/2011	Klingspor et al.	211/153
7,828,160 B2 *	11/2010	Lin	211/181.1	D648,174 S *	11/2011	Lu	D7/409
					8,167,147 B2 *	5/2012	Frankel et al.	211/41.3
					2005/0081722 A1	4/2005	Gucciardi		

* cited by examiner

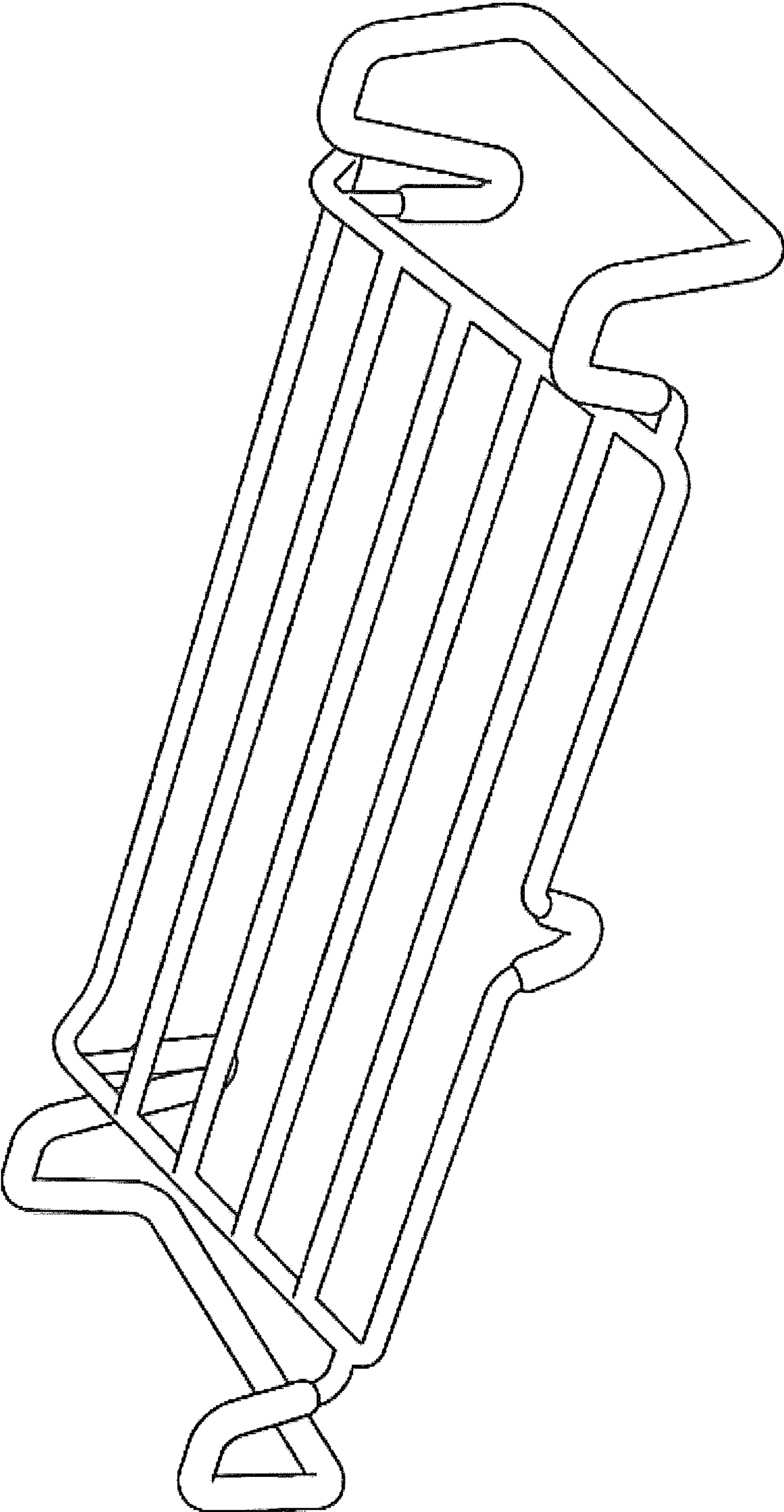


Fig. 1

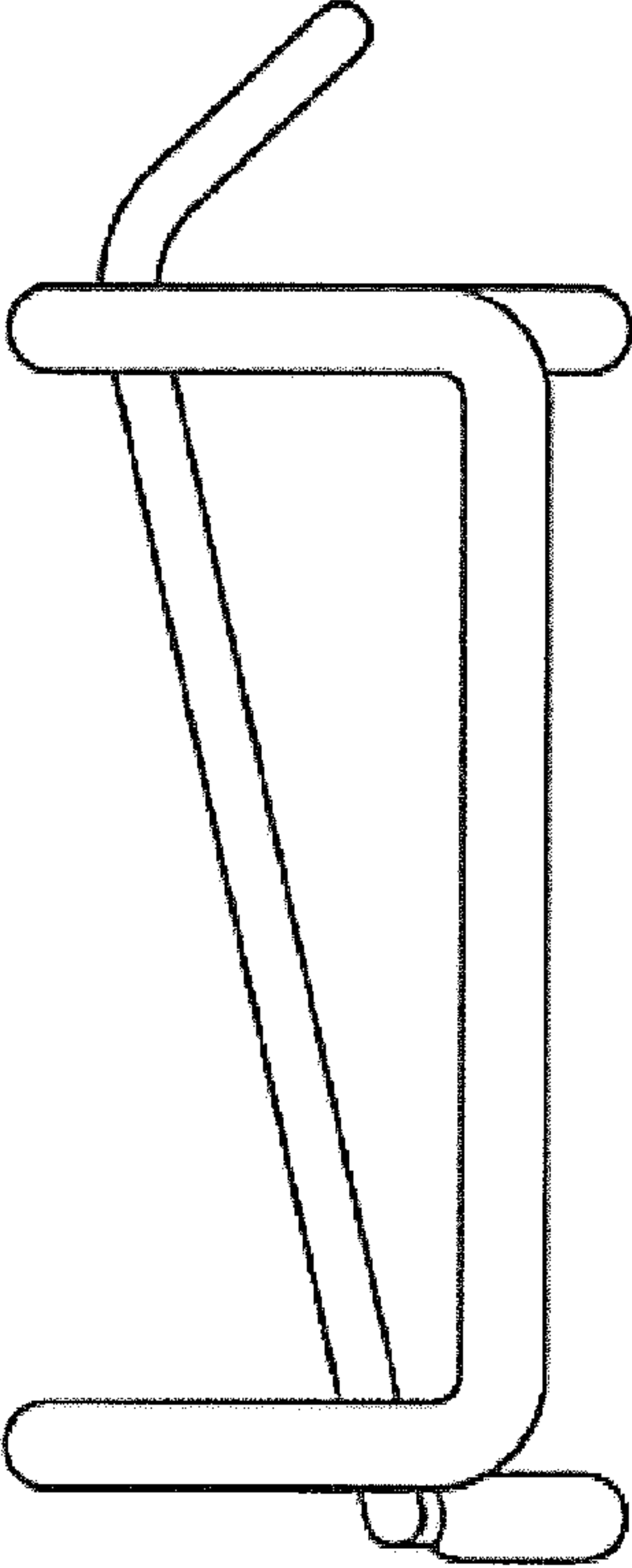


Fig. 2

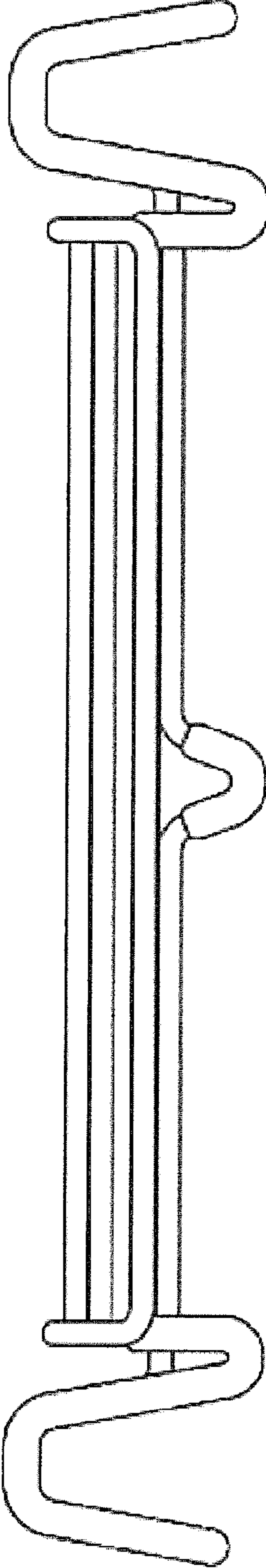


Fig. 3

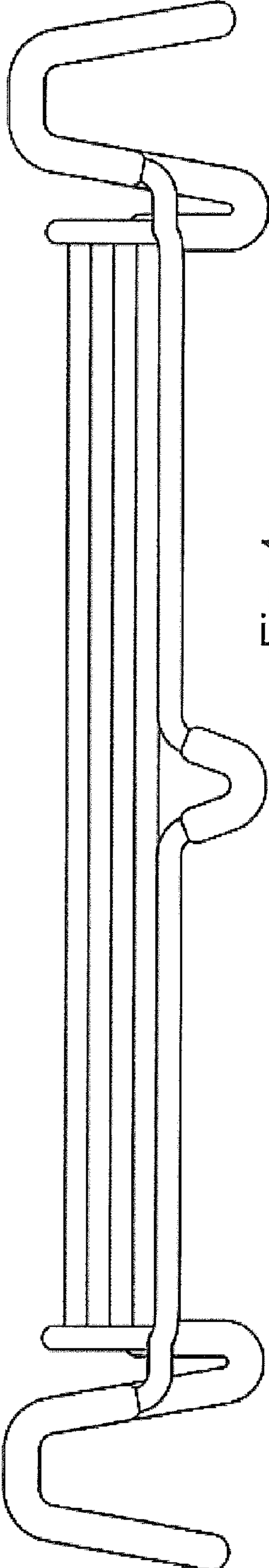


Fig. 4

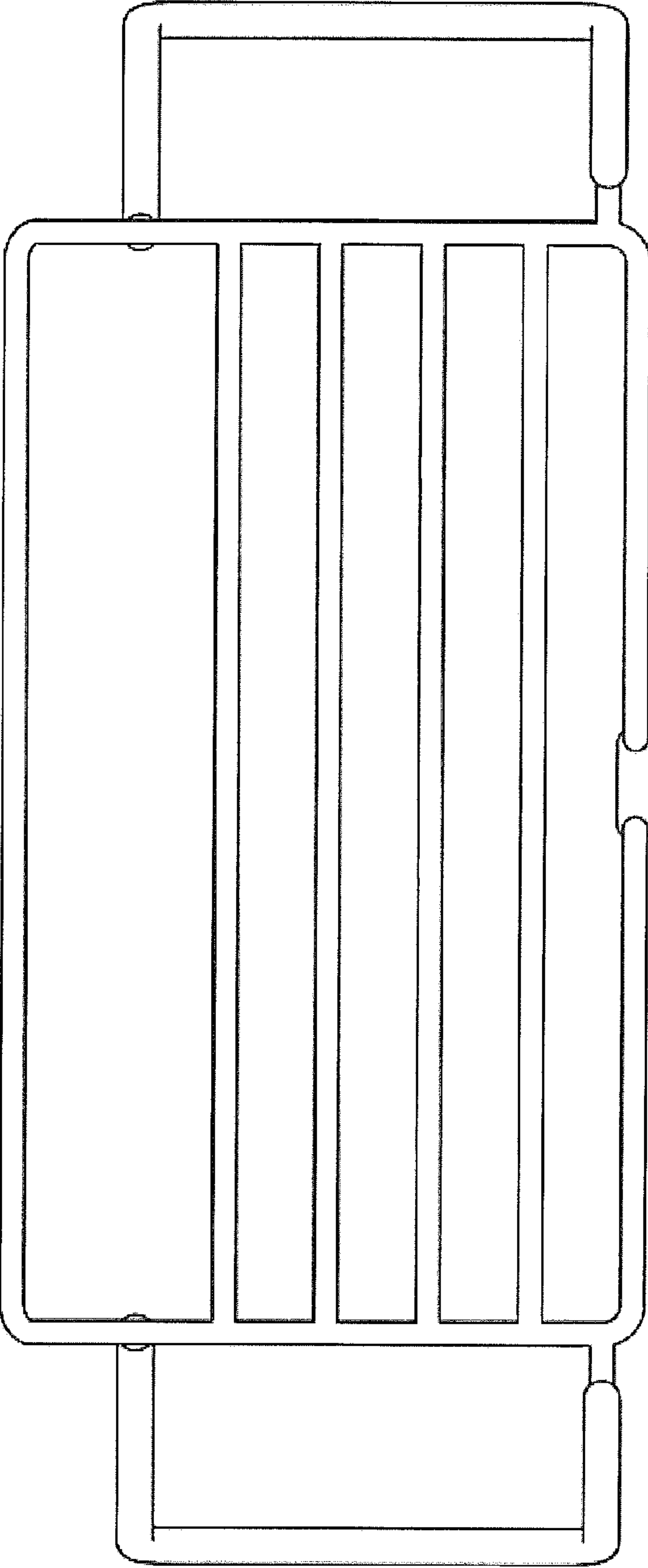


Fig. 5

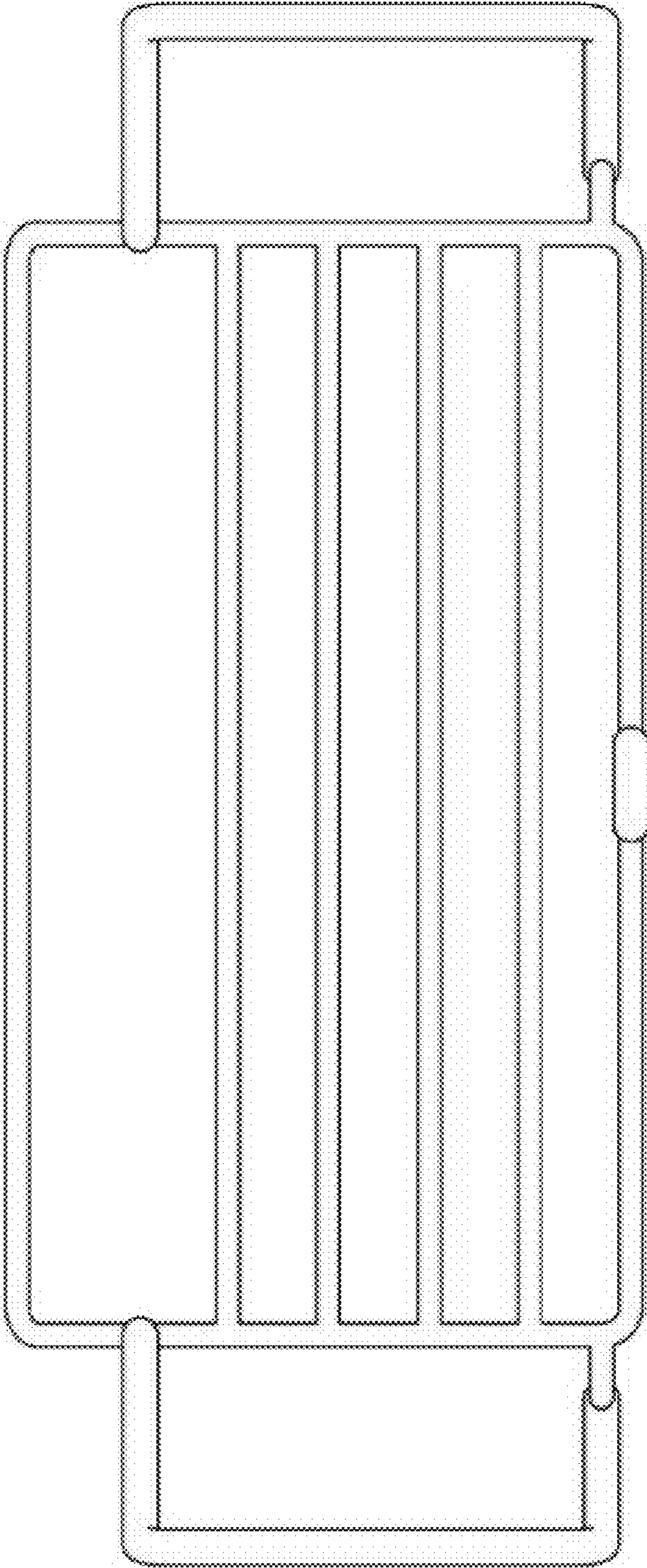


Fig. 6

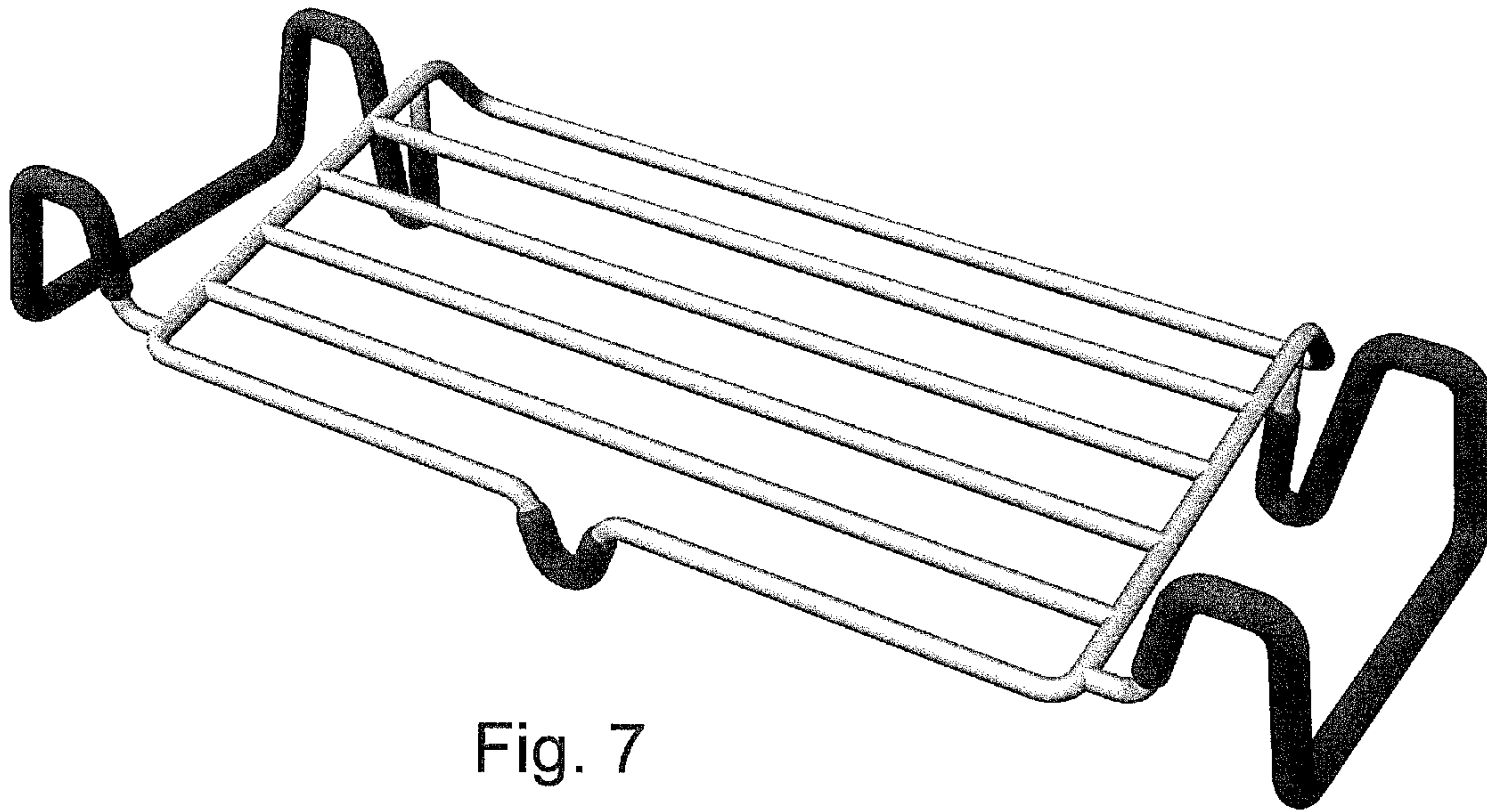


Fig. 7