



US00D702995S

(12) **United States Design Patent**  
**Dodane**

(10) **Patent No.:** **US D702,995 S**  
(45) **Date of Patent:** **\*\* Apr. 22, 2014**

(54) **HANDLE FOR COOKWARE**

(71) Applicant: **Paul Dodane**, Fresches le Chatel (FR)

(72) Inventor: **Paul Dodane**, Fresches le Chatel (FR)

(73) Assignee: **Cristel**, Fesches le Chatel (FR)

(\*\*) Term: **14 Years**

(21) Appl. No.: **29/456,350**

(22) Filed: **May 30, 2013**

(30) **Foreign Application Priority Data**

Dec. 27, 2012 (EM) ..... 001356026-0001

(51) **LOC (10) CL.** ..... **07-02**

(52) **U.S. CL.**  
USPC ..... **D7/393**

(58) **Field of Classification Search**

USPC ..... D7/354-358, 359-361, 391, 393, 402,  
D7/405, 406, 682; D8/107, 307, 300, 310,  
D8/311, 314; D13/171, 174; 16/110 R,  
16/114 R, 118, 121, 309, 311, 312, 315,  
16/320, 430, 431, 441; 74/548, 553,  
74/558.5; 200/18, 61.8, 336-338,  
200/564-570; 220/573.1-573.5, 752, 753,  
220/755, 912; D9/439

See application file for complete search history.

(56) **References Cited**

U.S. PATENT DOCUMENTS

D293,646 S *	1/1988	Rigoli .....	D7/393
D327,408 S *	6/1992	Fulton .....	D8/314
D461,092 S *	8/2002	Coudurier .....	D7/393
D555,423 S *	11/2007	Hoff .....	D7/393
D617,604 S *	6/2010	Munari .....	D7/393
D636,632 S *	4/2011	Bergne .....	D7/393

\* cited by examiner

*Primary Examiner* — Cynthia M Chin

(74) *Attorney, Agent, or Firm* — Egbert Law Offices, PLLC

(57) **CLAIM**

The ornamental design for a handle for cookware, as shown and described.

**DESCRIPTION**

FIG. 1 is an enlarged upper perspective view of the handle for cookware showing my new design.

FIG. 2 is front elevation view thereof;

FIG. 3 is a rear elevation view thereof;

FIG. 4 is a top plan view thereof;

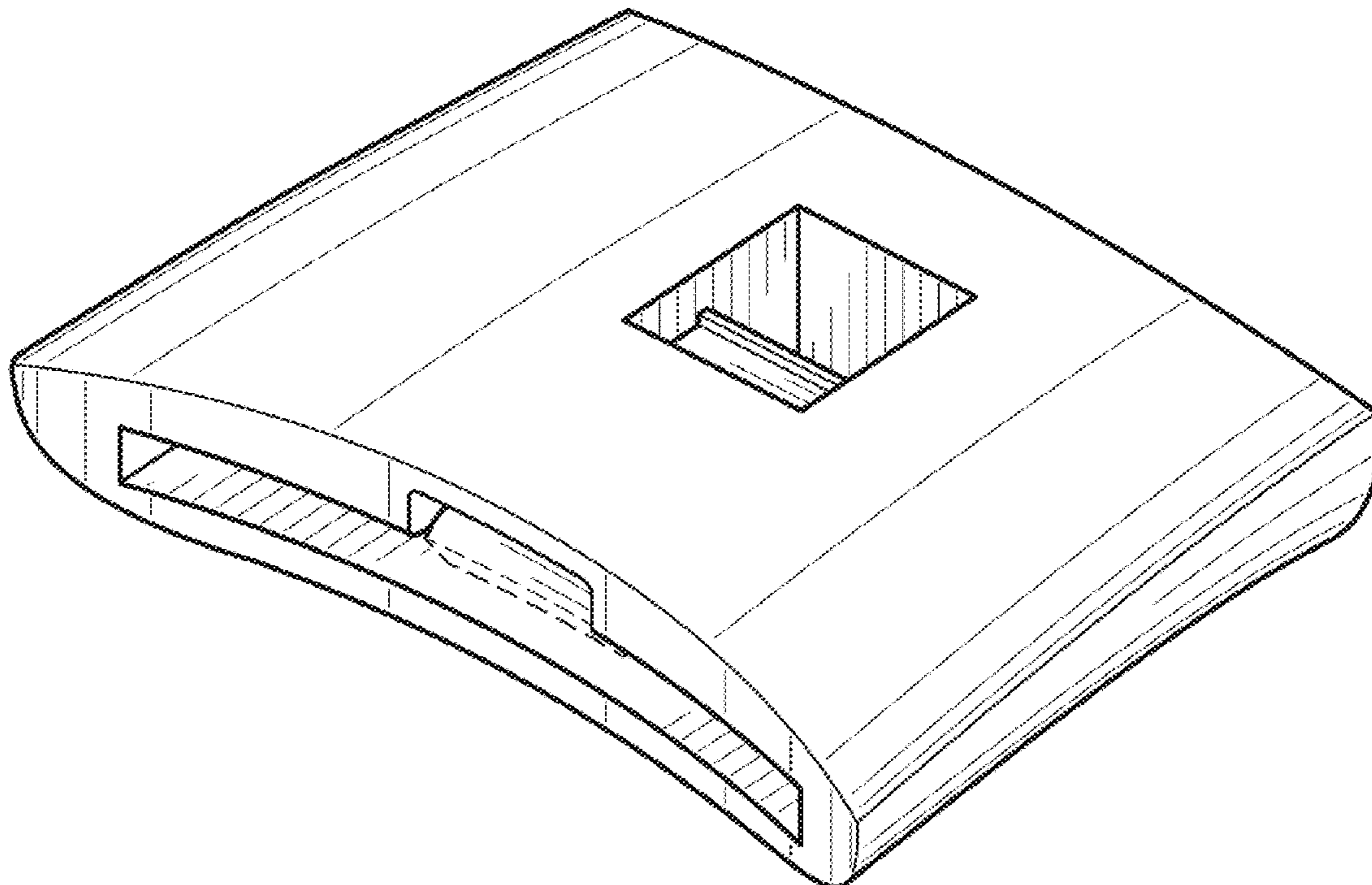
FIG. 5 is a bottom plan view thereof;

FIG. 6 is a side view thereof; and,

FIG. 7 is an opposite side view thereof.

The features presented in broken lines are for environmental purposes only and form no part of the claimed design.

**1 Claim, 1 Drawing Sheet**



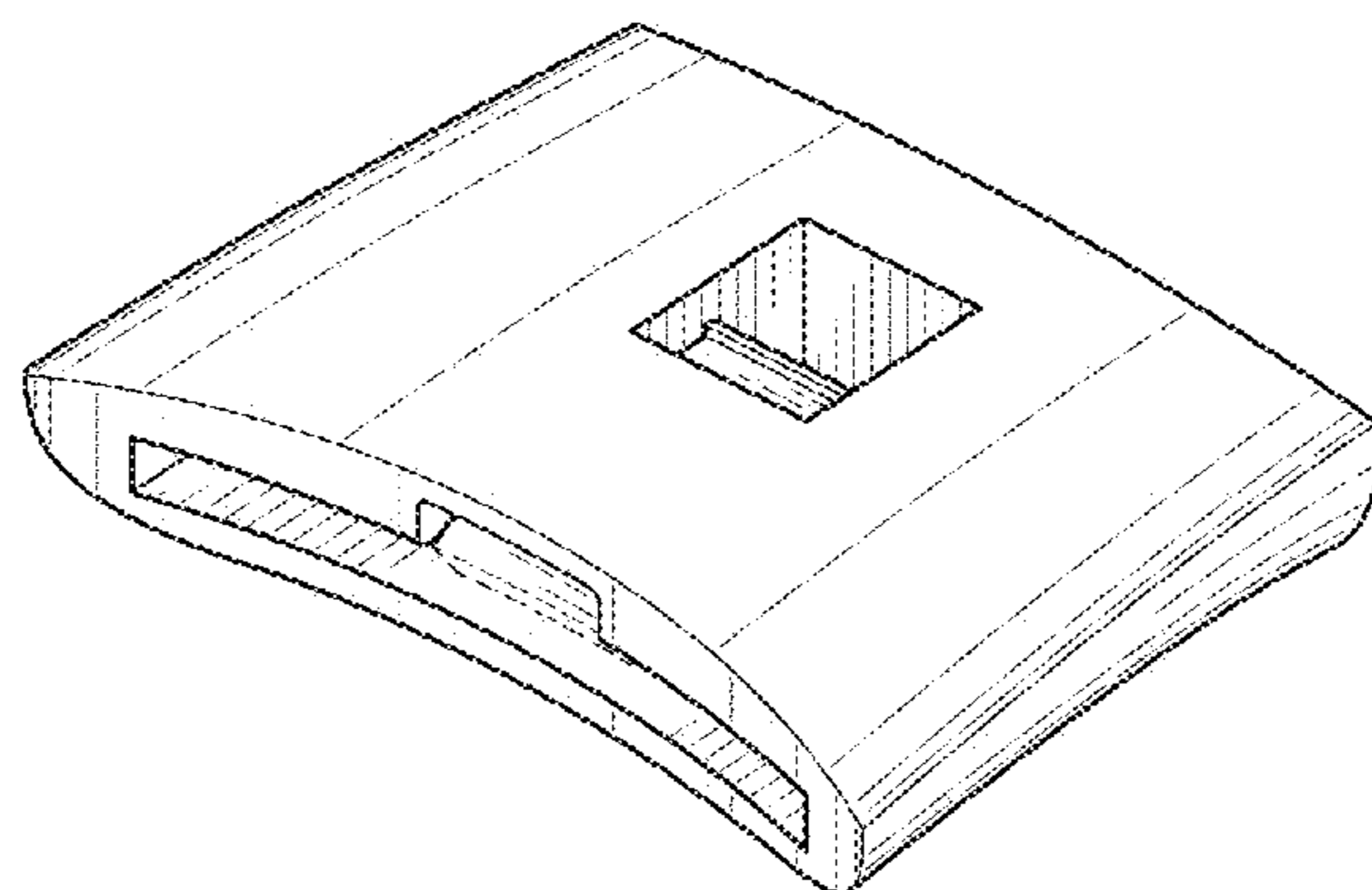


FIG. 1

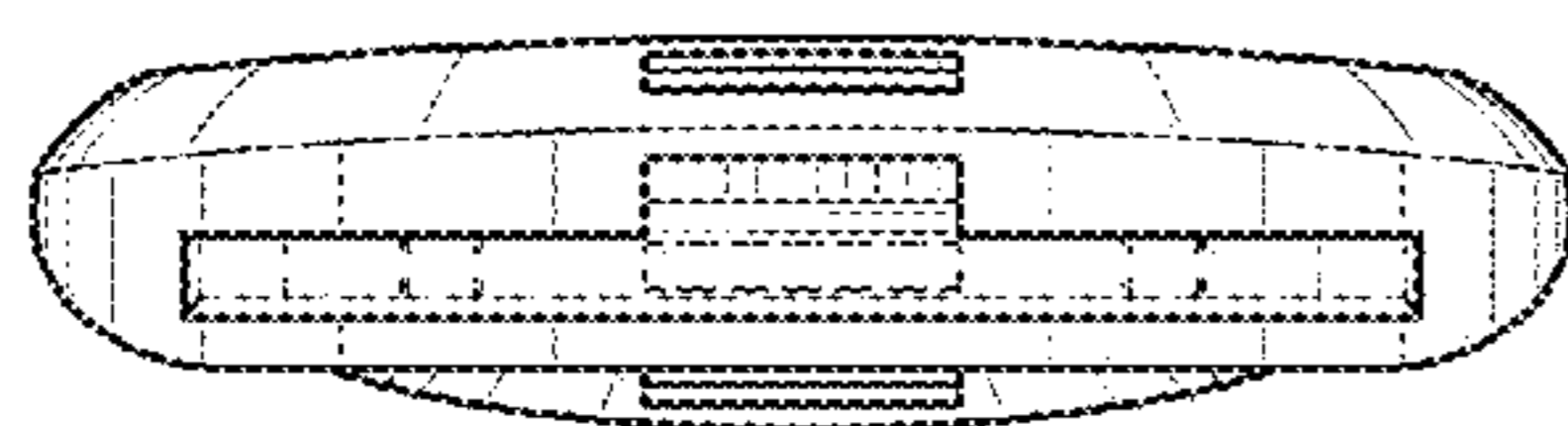


FIG. 2

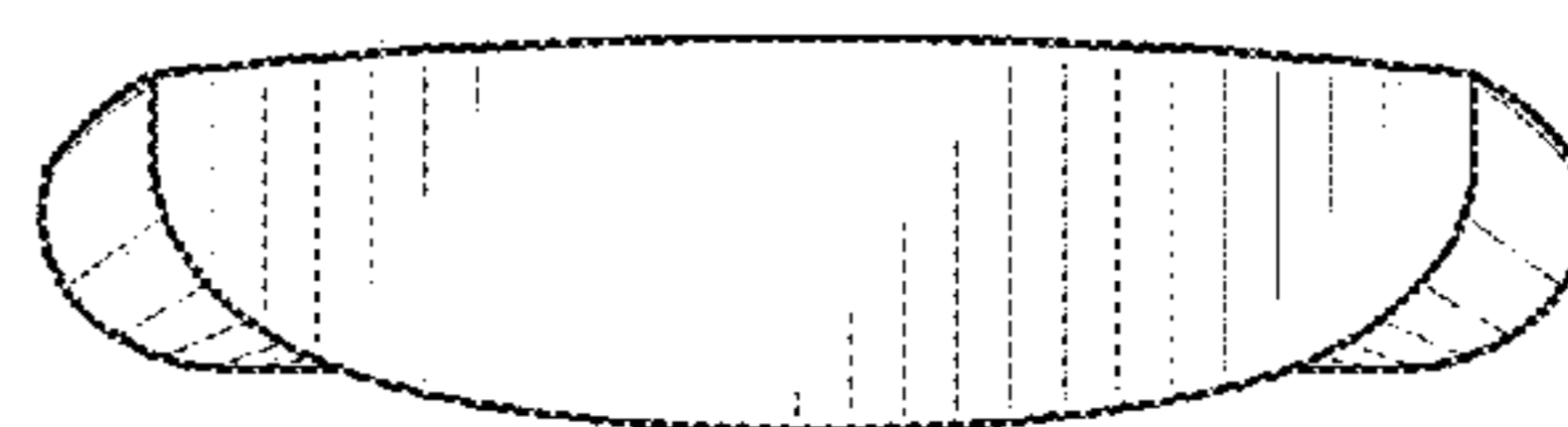


FIG. 3

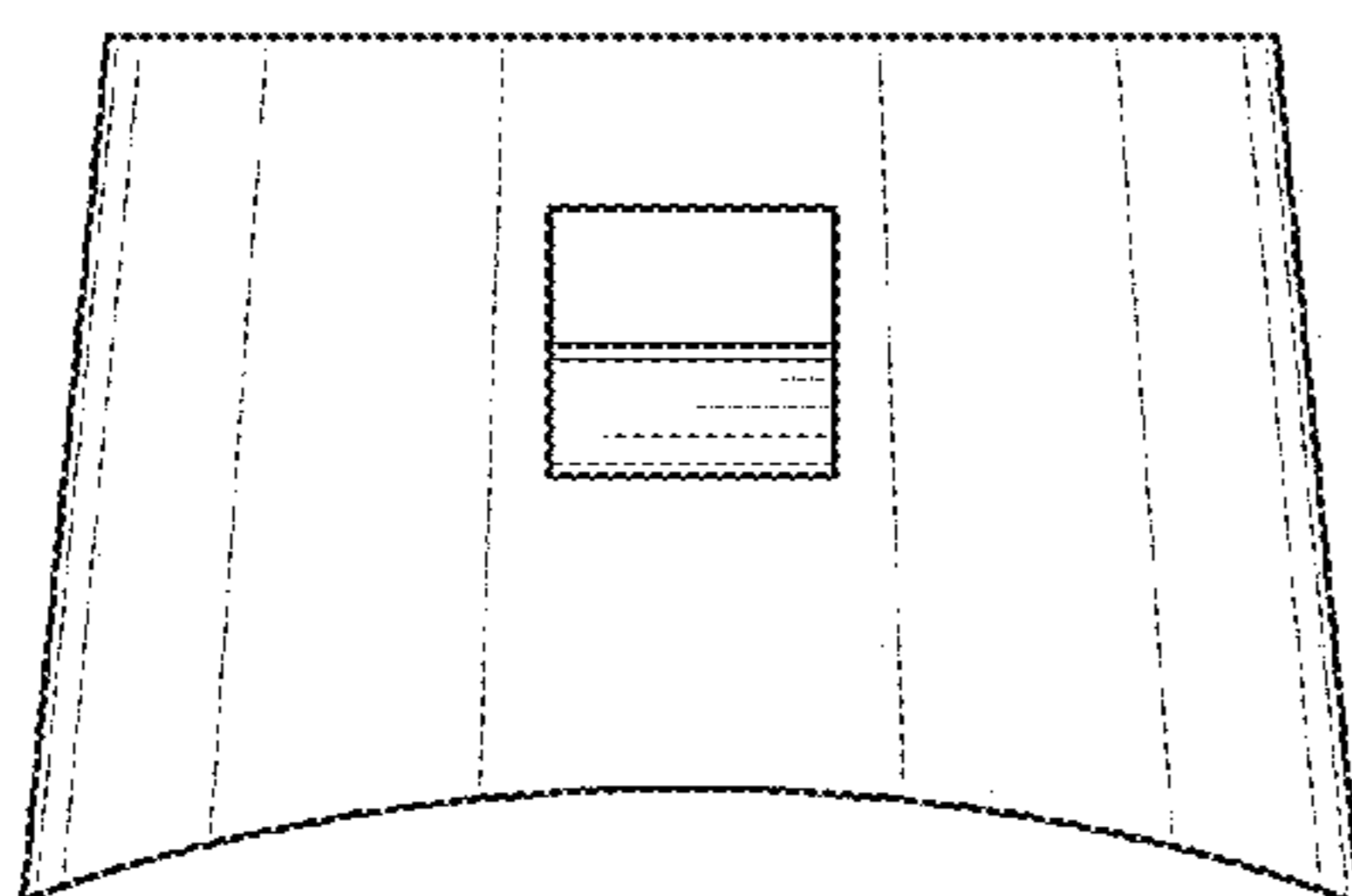


FIG. 4

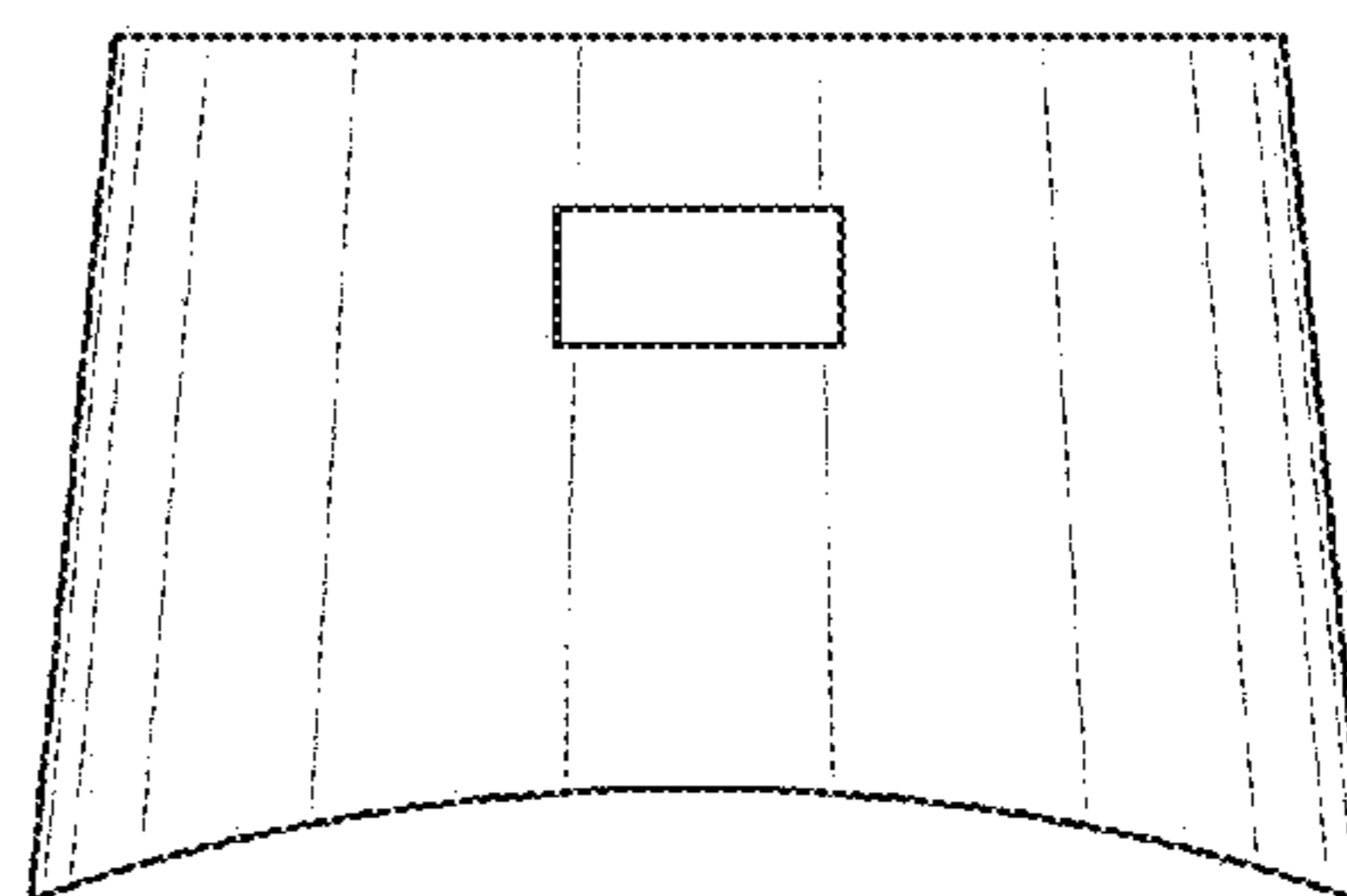


FIG. 5

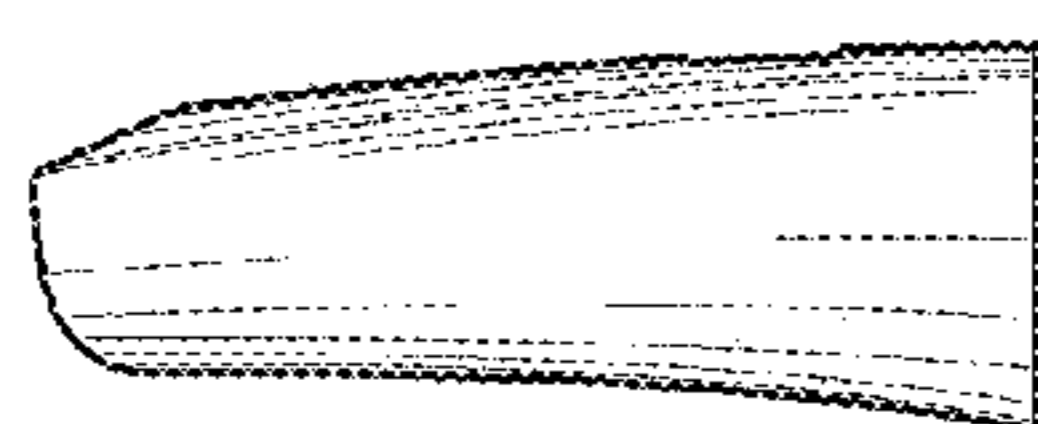


FIG. 6

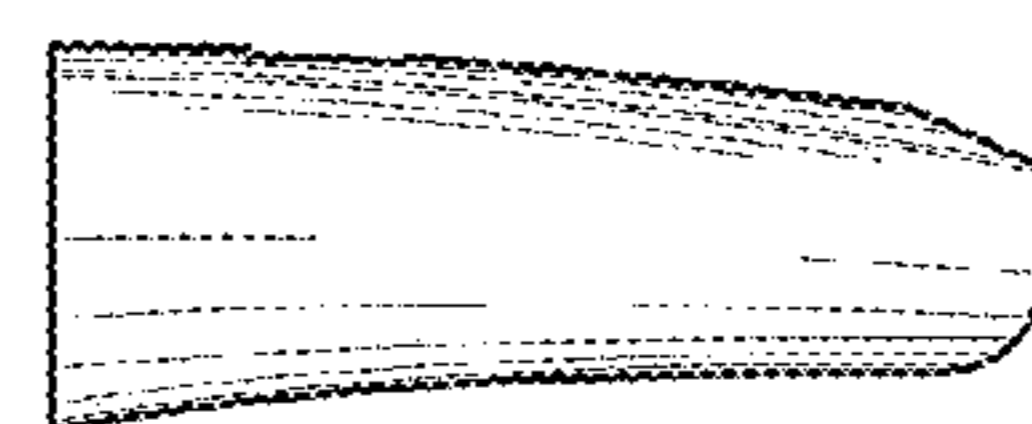


FIG. 7