



US00D702993S

(12) **United States Design Patent**
Lownds

(10) **Patent No.:** **US D702,993 S**

(45) **Date of Patent:** **** Apr. 22, 2014**

(54) **FOOD PROCESSOR**

(71) Applicant: **Whirlpool Corporation**, Benton Harbor, MI (US)

(72) Inventor: **Zachary A. Lownds**, Saint Joseph, MI (US)

(73) Assignee: **Whirlpool Corporation**, Benton Harbor, MI (US)

(**) Term: **14 Years**

(21) Appl. No.: **29/447,367**

(22) Filed: **Mar. 1, 2013**

(51) **LOC (10) CL.** **31-00**

(52) **U.S. CL.**
USPC **D7/384; D7/376; D7/378; D7/412**

(58) **Field of Classification Search**
USPC D7/301-313, 316-326, 354-357, 368, D7/372-386, 391-398, 402, 412-415, 503, D7/515, 543, 584-587, 607, 665-666, 679, D7/691-693; 99/280, 326, 348, 492, 99/508-512; 241/30-37.5, 82.1, 92, 98, 241/101.01-101.2, 166-169.1, 172, 272, 241/282.2, 285.1-285.3, 291, 292.1; 366/64-67, 98, 129, 142-144, 169.1, 366/192-211, 241-254, 262, 279-292, 314, 366/325.8, 325.92, 341-347; 416/75-77, 416/70 R, 163

See application file for complete search history.

(56) **References Cited**

U.S. PATENT DOCUMENTS

D287,327	S	*	12/1986	Cavalli	D7/384
D502,842	S	*	3/2005	Hallar	D7/384
7,028,930	B2	*	4/2006	Carnevale	241/37.5
7,229,036	B2	*	6/2007	Carnevale et al.	241/36
D547,601	S	*	7/2007	Ting et al.	D7/384
D578,341	S	*	10/2008	Picozza et al.	D7/384
D587,064	S	*	2/2009	Mark	D7/384
D594,717	S	*	6/2009	Wu Chang	D7/665
7,686,240	B2	*	3/2010	Pryor et al.	241/36
D650,641	S	*	12/2011	Fung et al.	D7/665
D667,683	S	*	9/2012	Czach et al.	D7/384
D670,531	S	*	11/2012	Carlson	D7/384
D683,180	S	*	5/2013	Carlson	D7/384

* cited by examiner

Primary Examiner — Ricky Pham

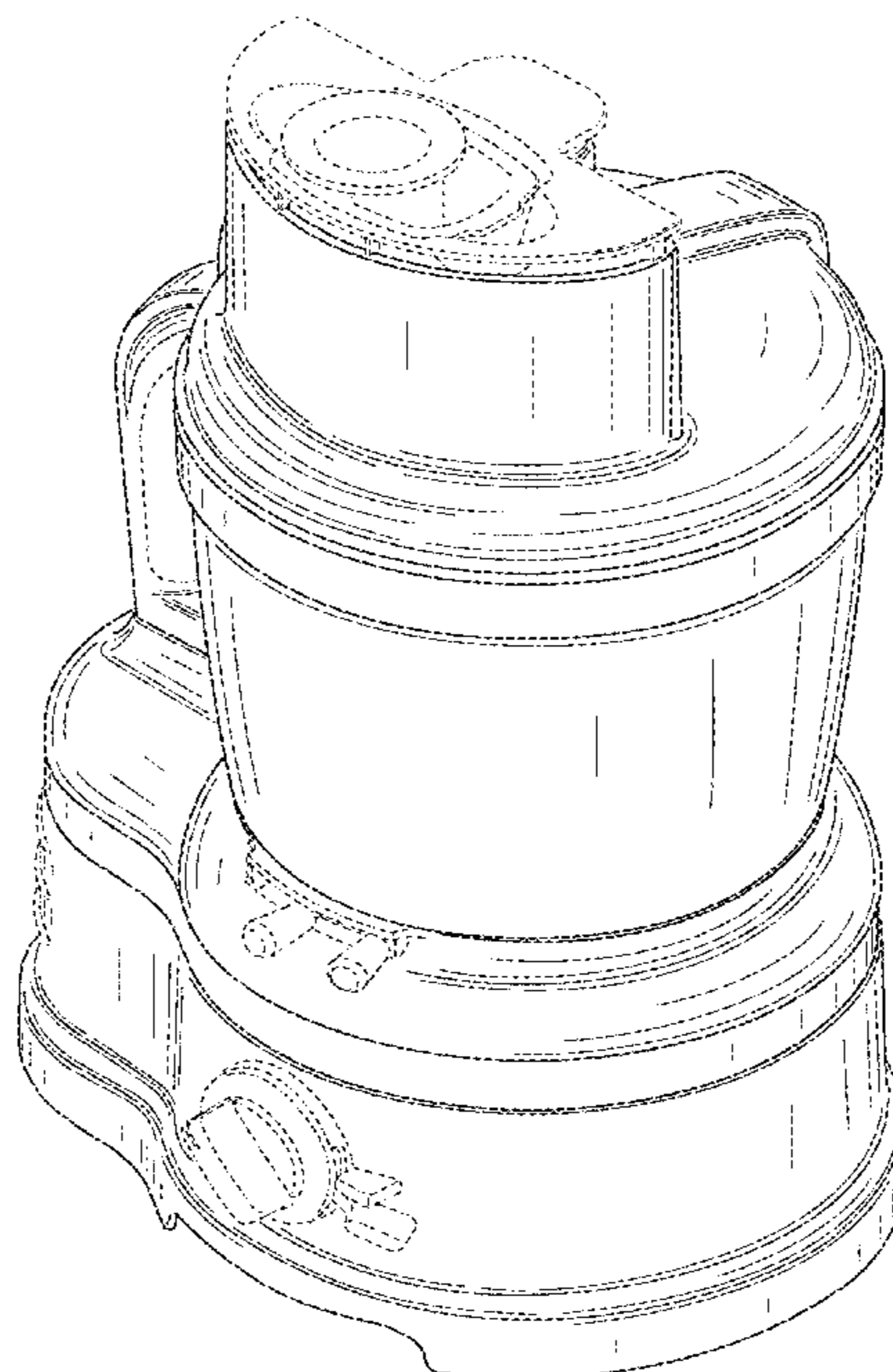
(57) **CLAIM**

I claim the ornamental design for a food processor, as shown and described.

DESCRIPTION

FIG. 1 is a top perspective view a food processor showing my new design;
FIG. 2 is a first side elevational view of the food processor of FIG. 1;
FIG. 3 is a second side elevational view of the food processor of FIG. 1;
FIG. 4 is a third side elevational view of the food processor of FIG. 1;
FIG. 5 is a fourth side elevational view of the food processor of FIG. 1;
FIG. 6 is a top plan view of the food processor of FIG. 1; and, FIG. 7 is a bottom plan view of the food processor of FIG. 1. The broken lines shown in the drawings are for illustrative purposes only and form no part of the claimed design.

1 Claim, 7 Drawing Sheets



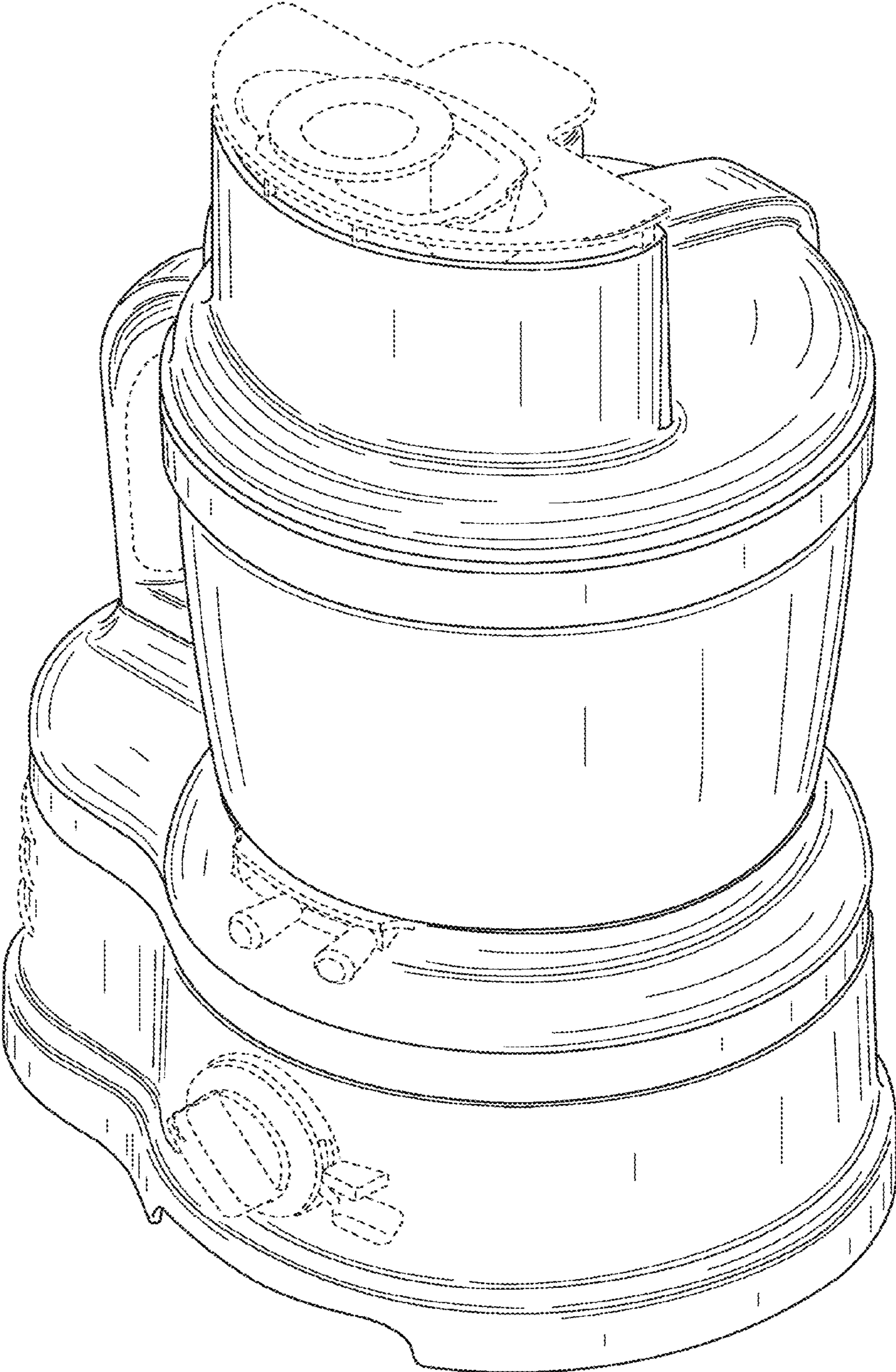


FIG. 1

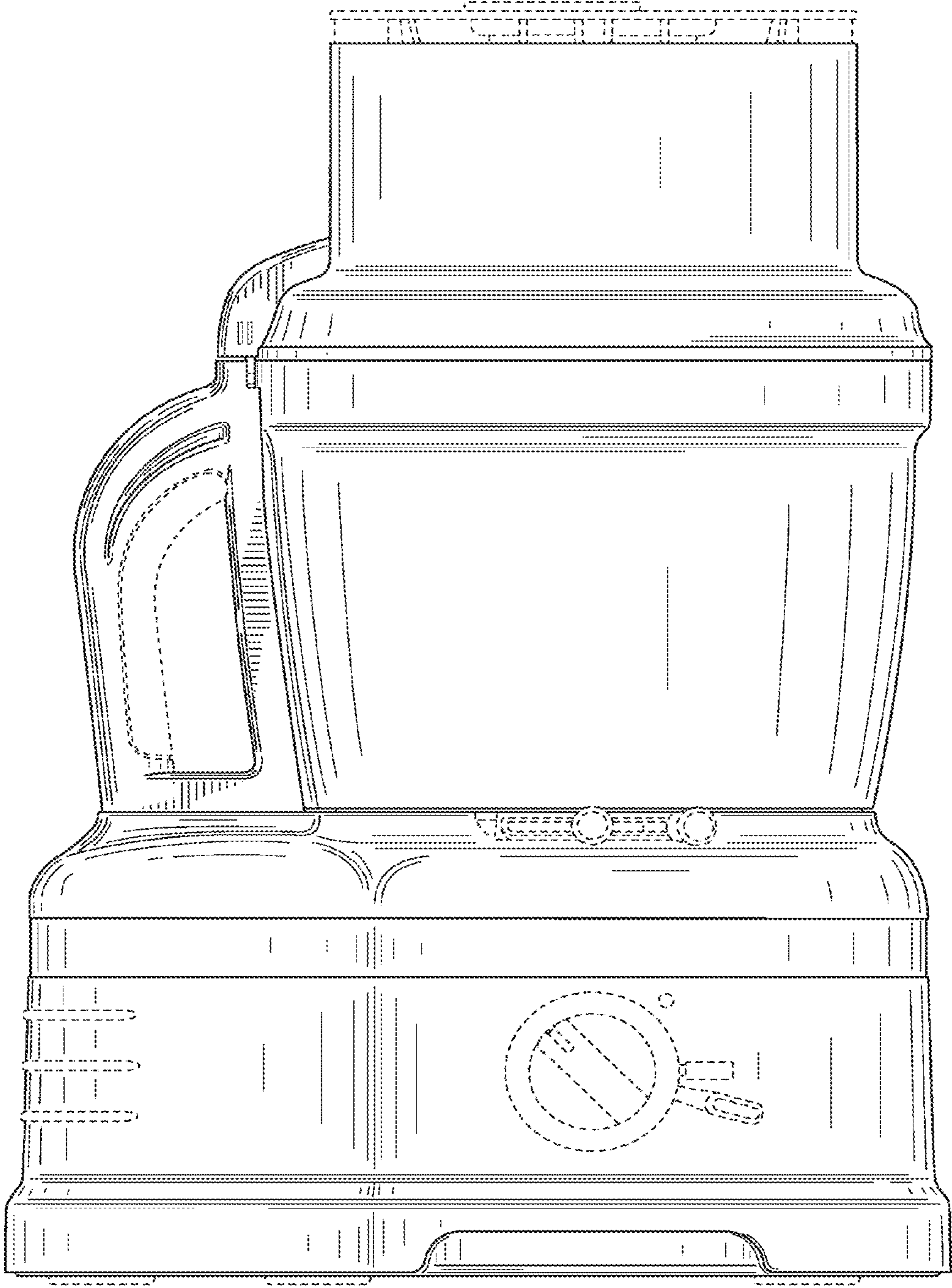


FIG. 2

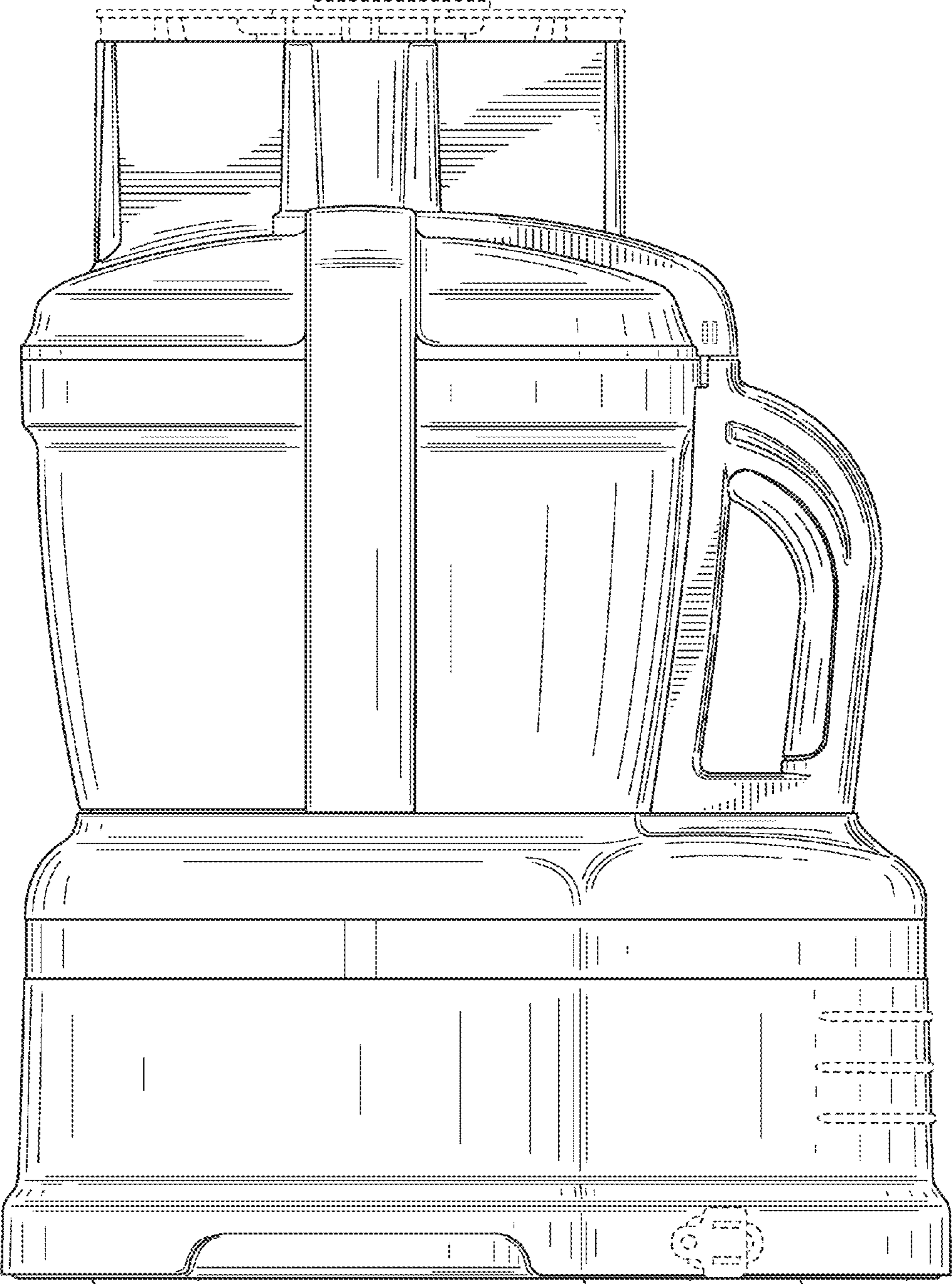


FIG. 3

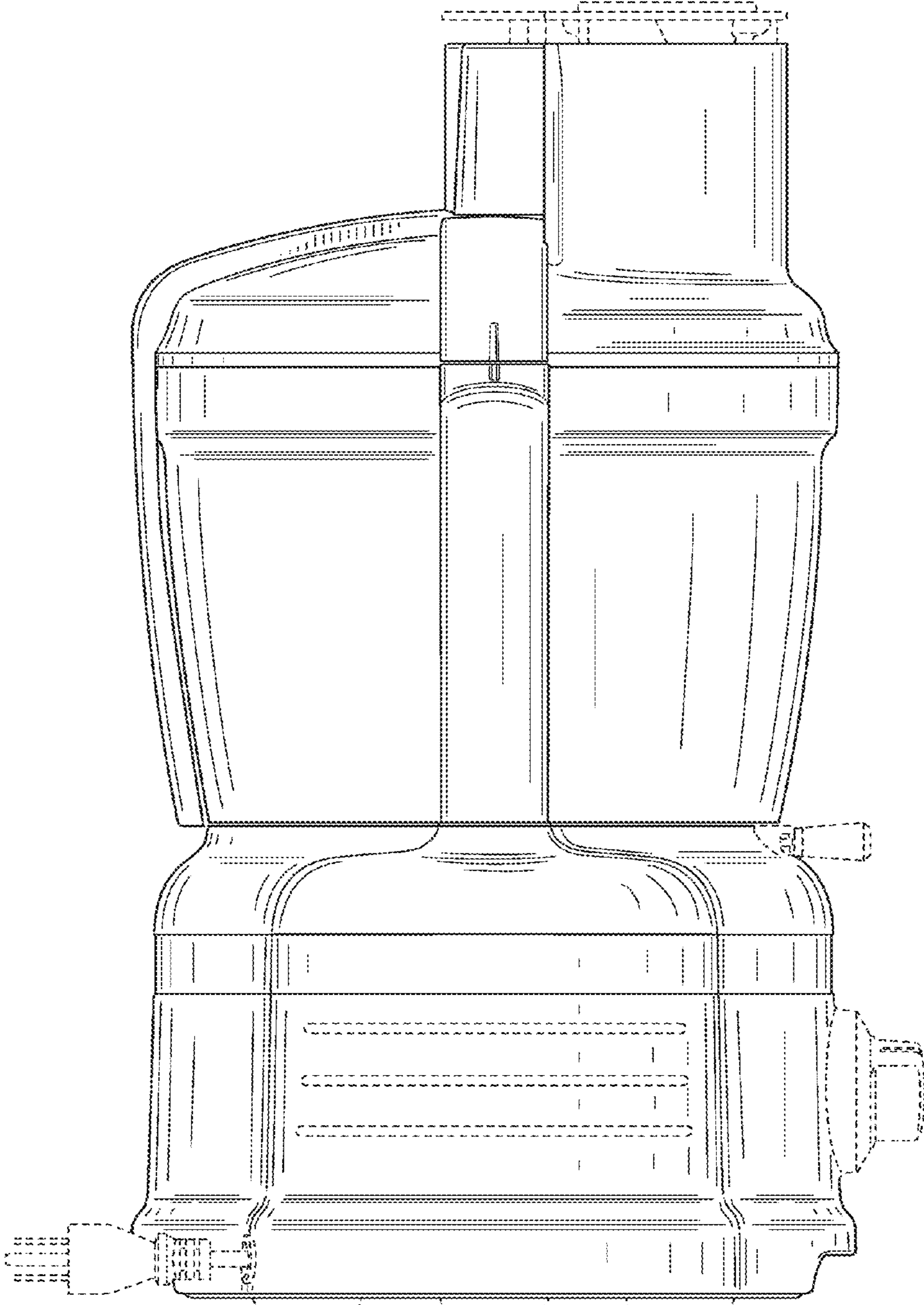


FIG. 4

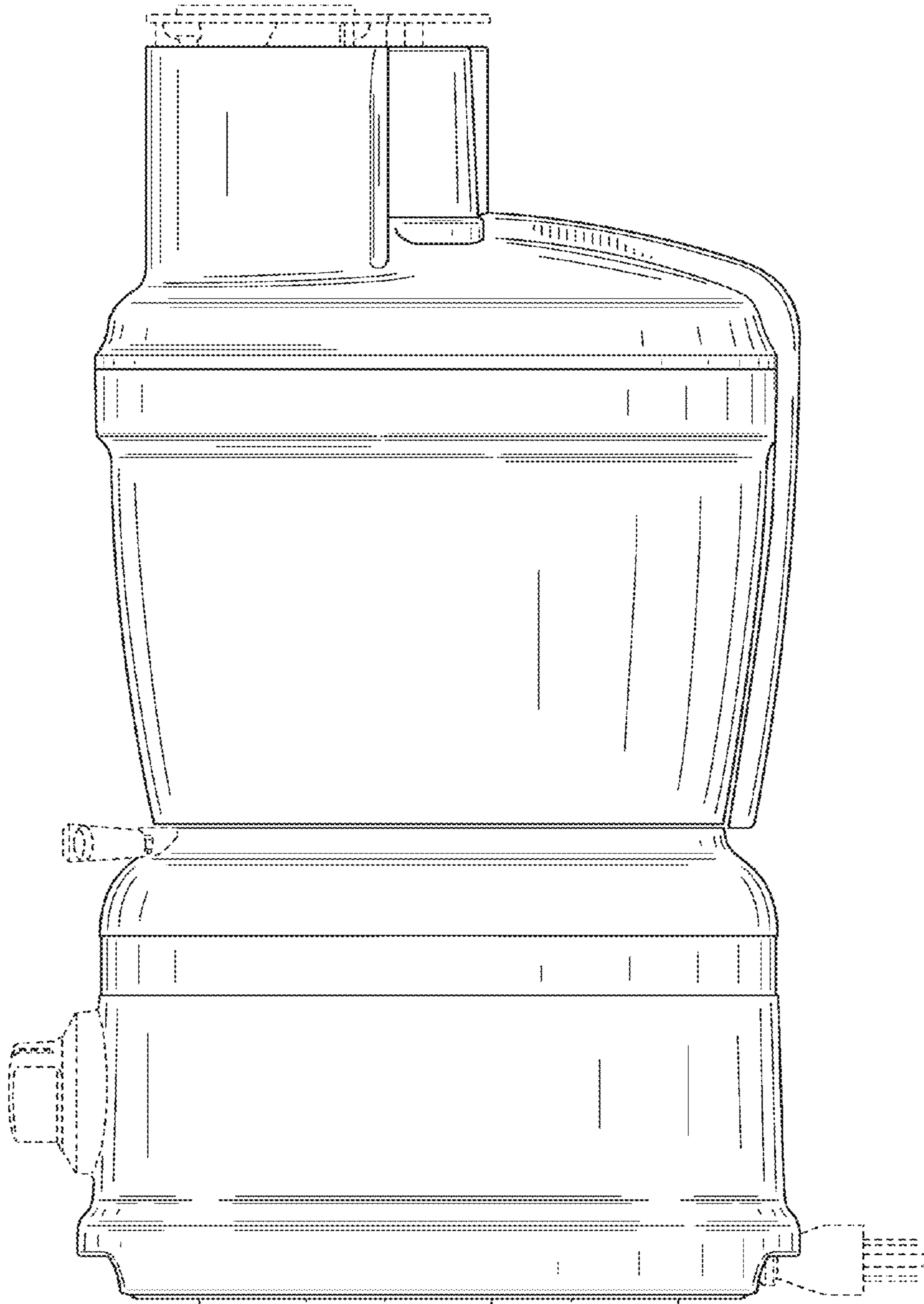


FIG. 5

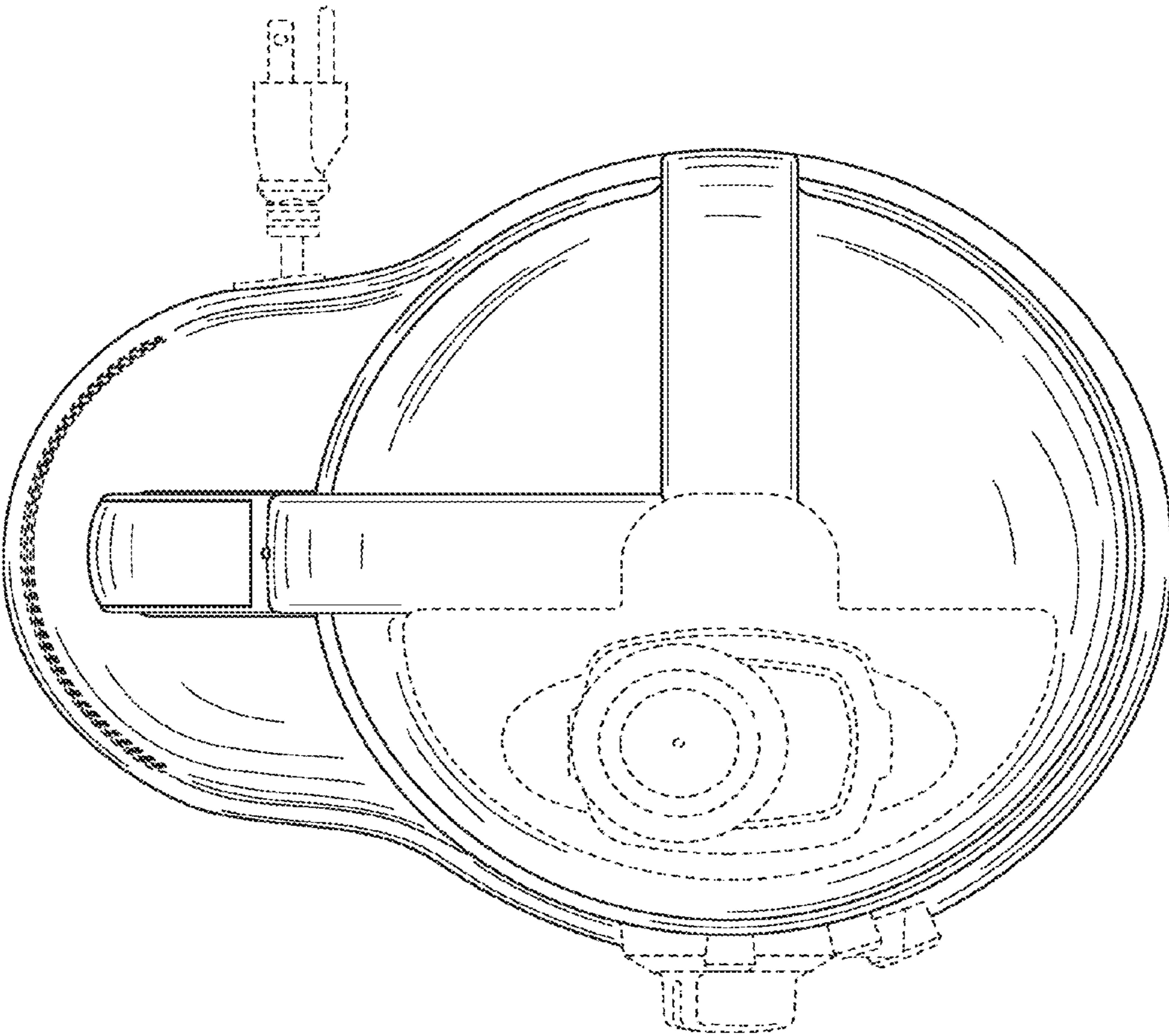


FIG. 6

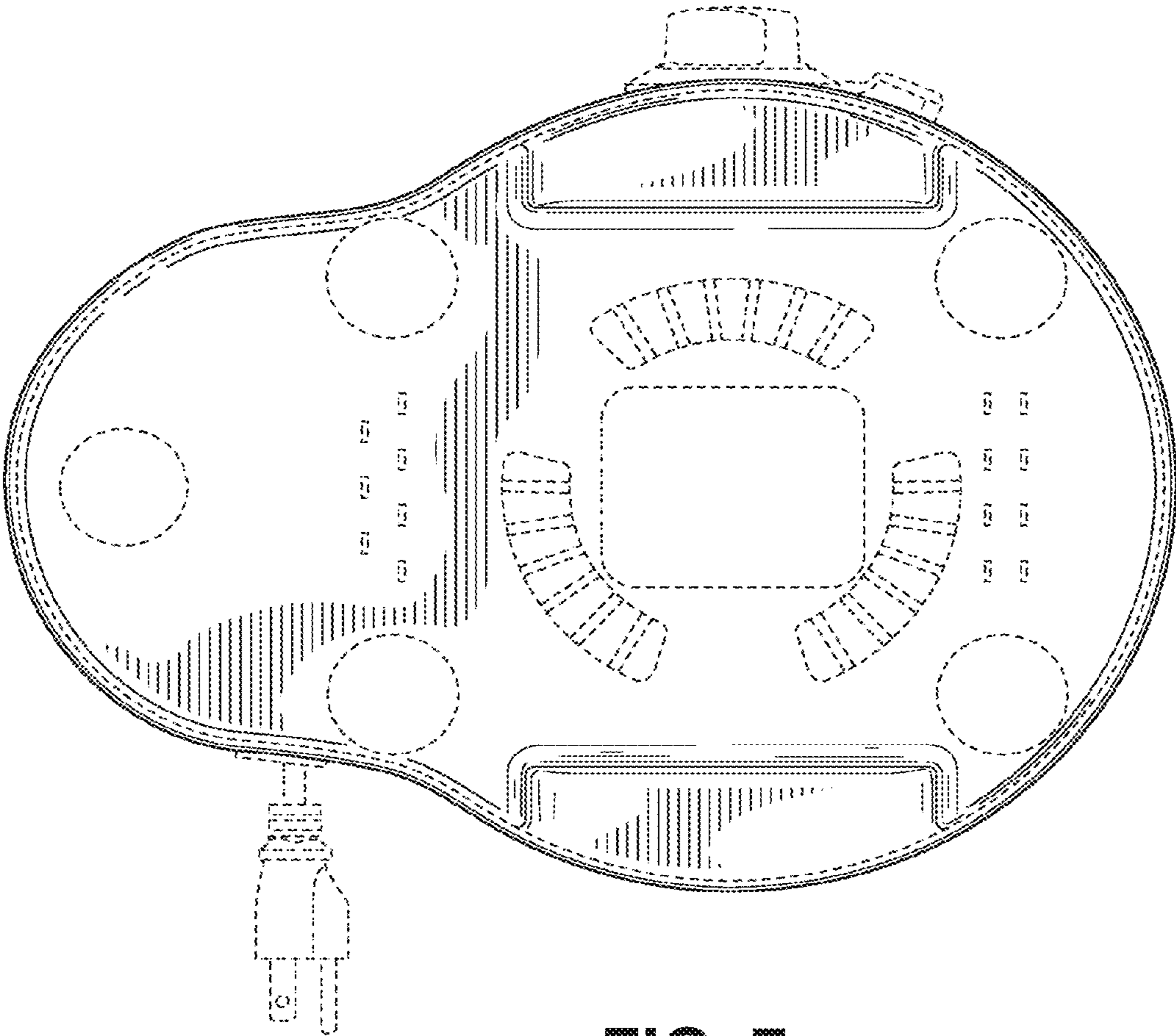


FIG. 7