



US00D702992S

(12) **United States Design Patent**  
**Wong**

(10) **Patent No.:** **US D702,992 S**

(45) **Date of Patent:** **\*\* Apr. 22, 2014**

(54) **COMPACT CHOPPER**

(71) Applicant: **Yan Kwong Wong**, Hong Kong (HK)

(72) Inventor: **Yan Kwong Wong**, Hong Kong (HK)

(\*\*) Term: **14 Years**

(21) Appl. No.: **29/461,489**

(22) Filed: **Jul. 23, 2013**

(51) **LOC (10) Cl.** ..... **31-00**

(52) **U.S. Cl.**

USPC ..... **D7/381**; D7/376; D7/378; D7/386

(58) **Field of Classification Search**

USPC ..... D7/301–313, 316–326, 354–357, 368,  
D7/372–386, 391–398, 402, 412–415, 503,  
D7/515, 543, 584–587, 607, 665–666, 679,  
D7/691–693; 99/280, 326, 348, 486, 492,  
99/508–512; 241/30–37.5, 82.1, 92, 98,  
241/101.01–101.2, 166–169.1, 172, 272,  
241/282.2, 285.1–285.3, 291, 292.1, 301;  
366/64–67, 98, 129, 142–144, 169.1,  
366/192–211, 241–254, 262, 279–292, 314,  
366/325.8, 325.92, 341–347; 416/75–77,  
416/70 R, 163

See application file for complete search history.

(56) **References Cited**

U.S. PATENT DOCUMENTS

D463,194 S *	9/2002	Busick et al. ....	D7/313
D473,099 S *	4/2003	Yamamoto et al. ....	D7/378
D474,065 S *	5/2003	Daniels, Jr. ....	D7/378
D484,357 S *	12/2003	Seum et al. ....	D7/378
D563,154 S *	3/2008	Comstock et al. ....	D7/378
D569,163 S *	5/2008	Gu et al. ....	D7/307
D580,216 S *	11/2008	Ryan ....	D7/384
D668,501 S *	10/2012	Hensel et al. ....	D7/386
D670,531 S *	11/2012	Carlson ....	D7/384

\* cited by examiner

*Primary Examiner* — Ricky Pham

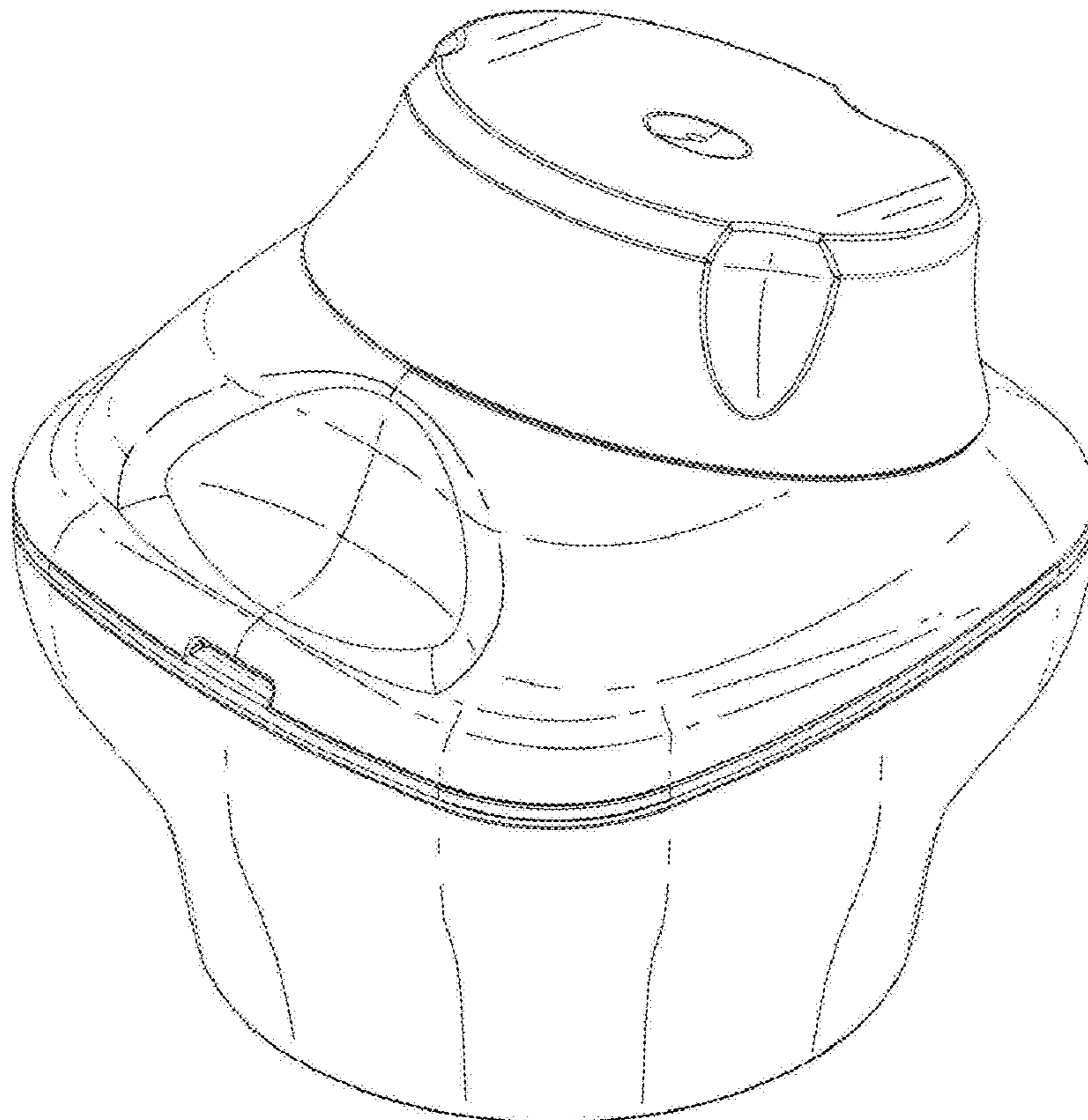
(57) **CLAIM**

The ornamental design for a compact chopper, as shown and described.

**DESCRIPTION**

FIG. 1 is a front view of a compact chopper of my new design; FIG. 2 is a back view of the compact chopper thereof; FIG. 3 is a left view of the compact chopper thereof; FIG. 4 is a right view of the compact chopper thereof; FIG. 5 is a top view of the compact chopper thereof; FIG. 6 is a bottom view of the compact chopper thereof; and, FIG. 7 is a perspective view of the compact chopper thereof.

**1 Claim, 4 Drawing Sheets**



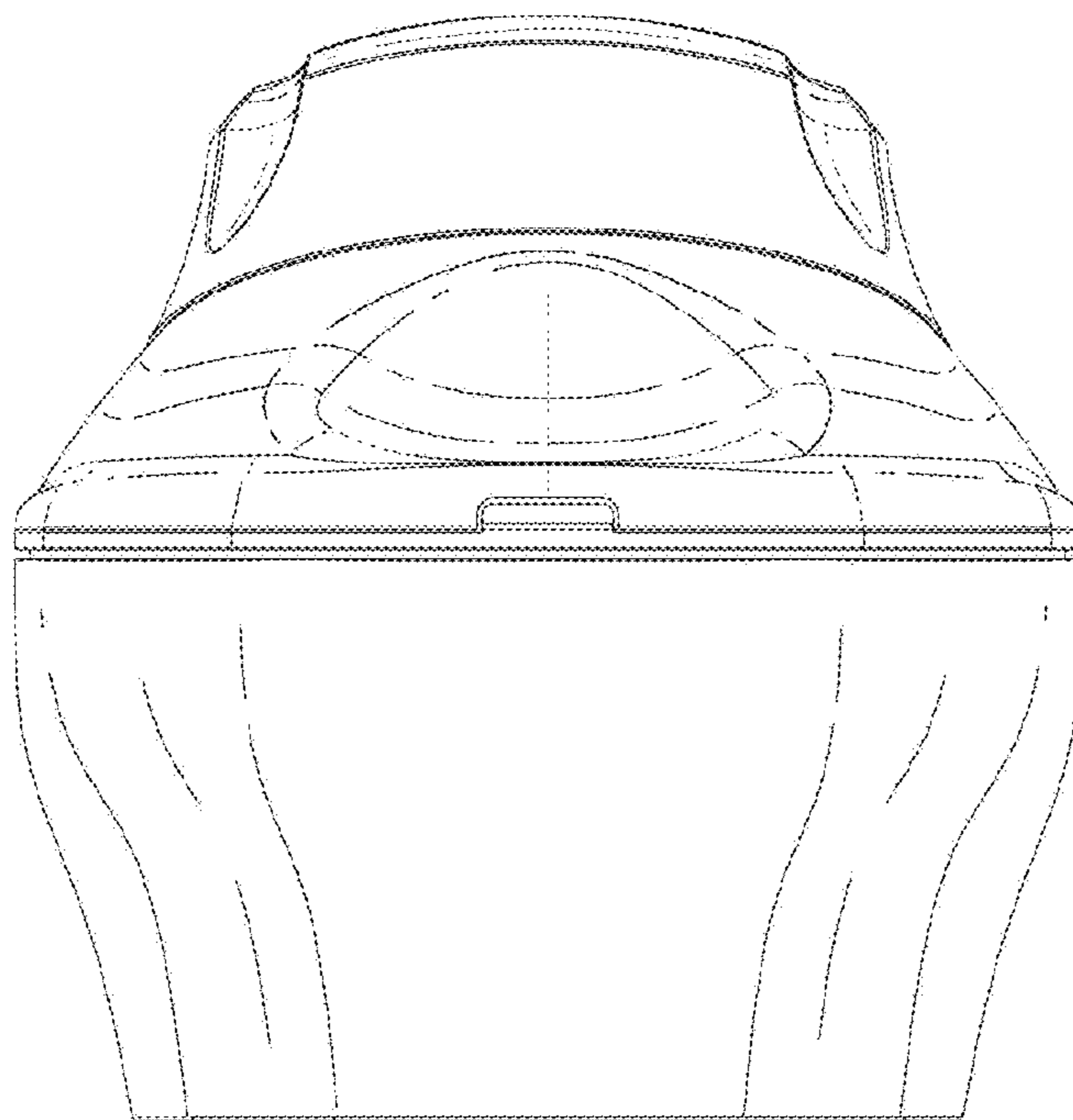


Fig. 1

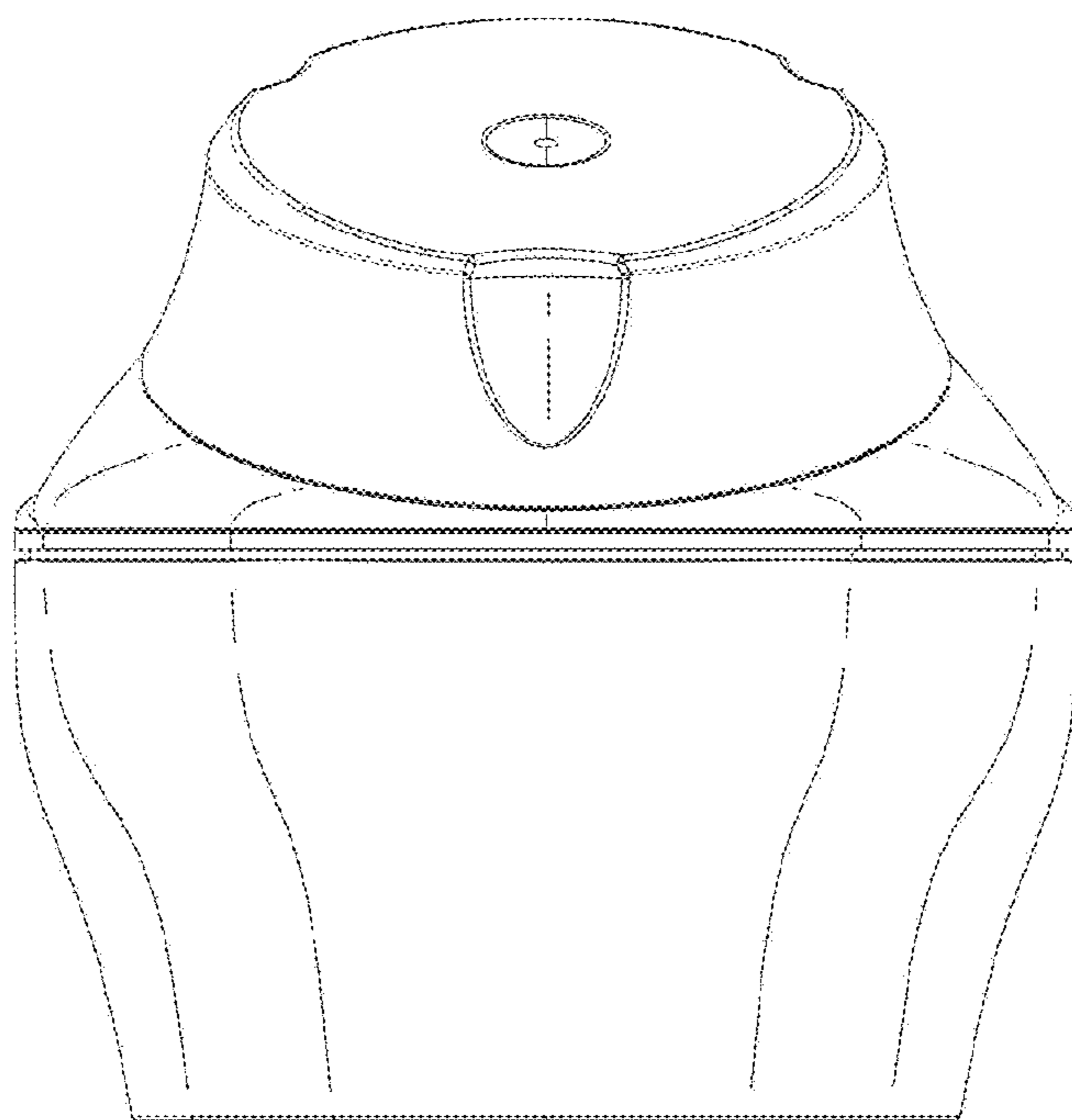


Fig. 2

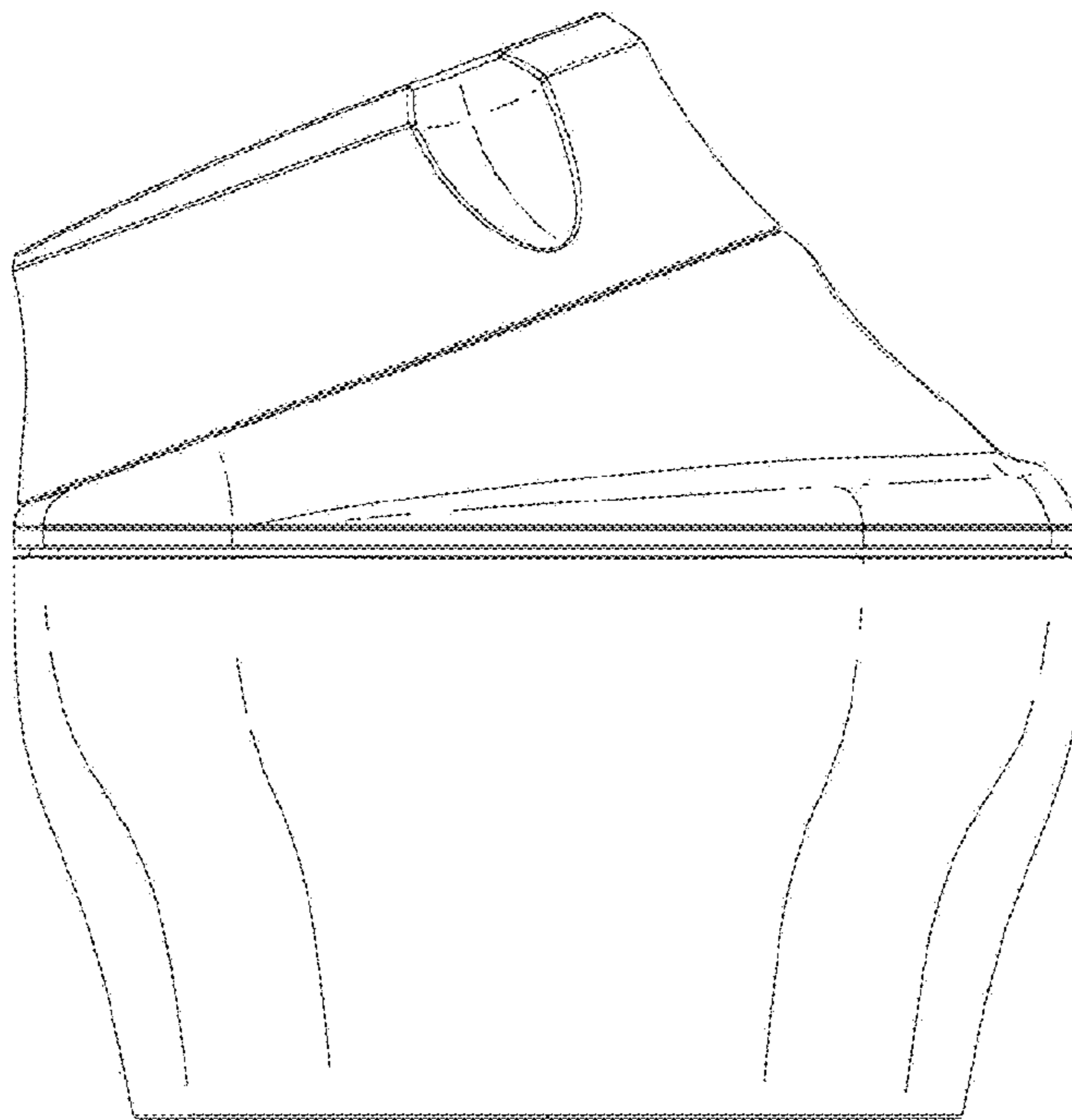


Fig. 3

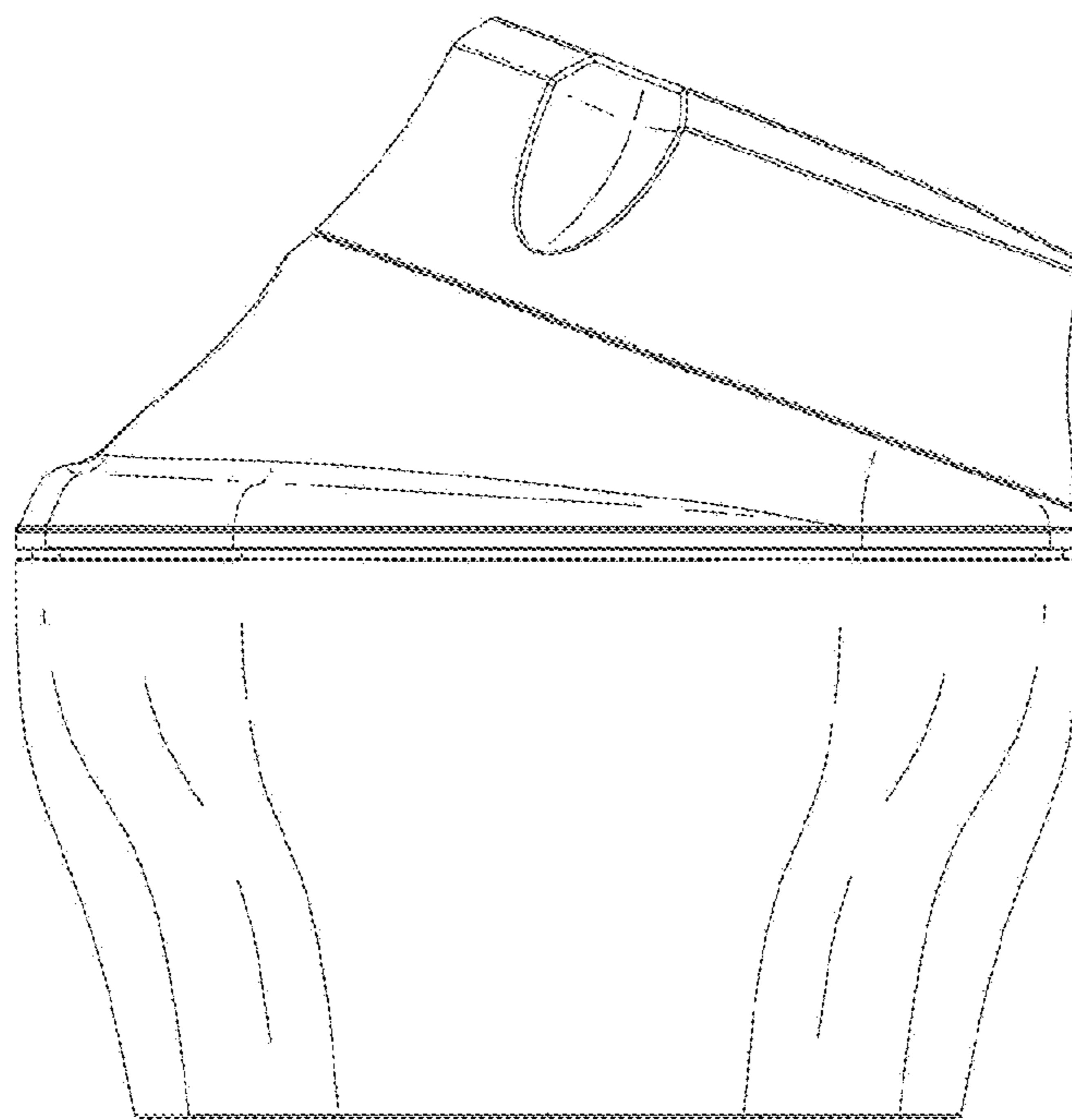


Fig. 4

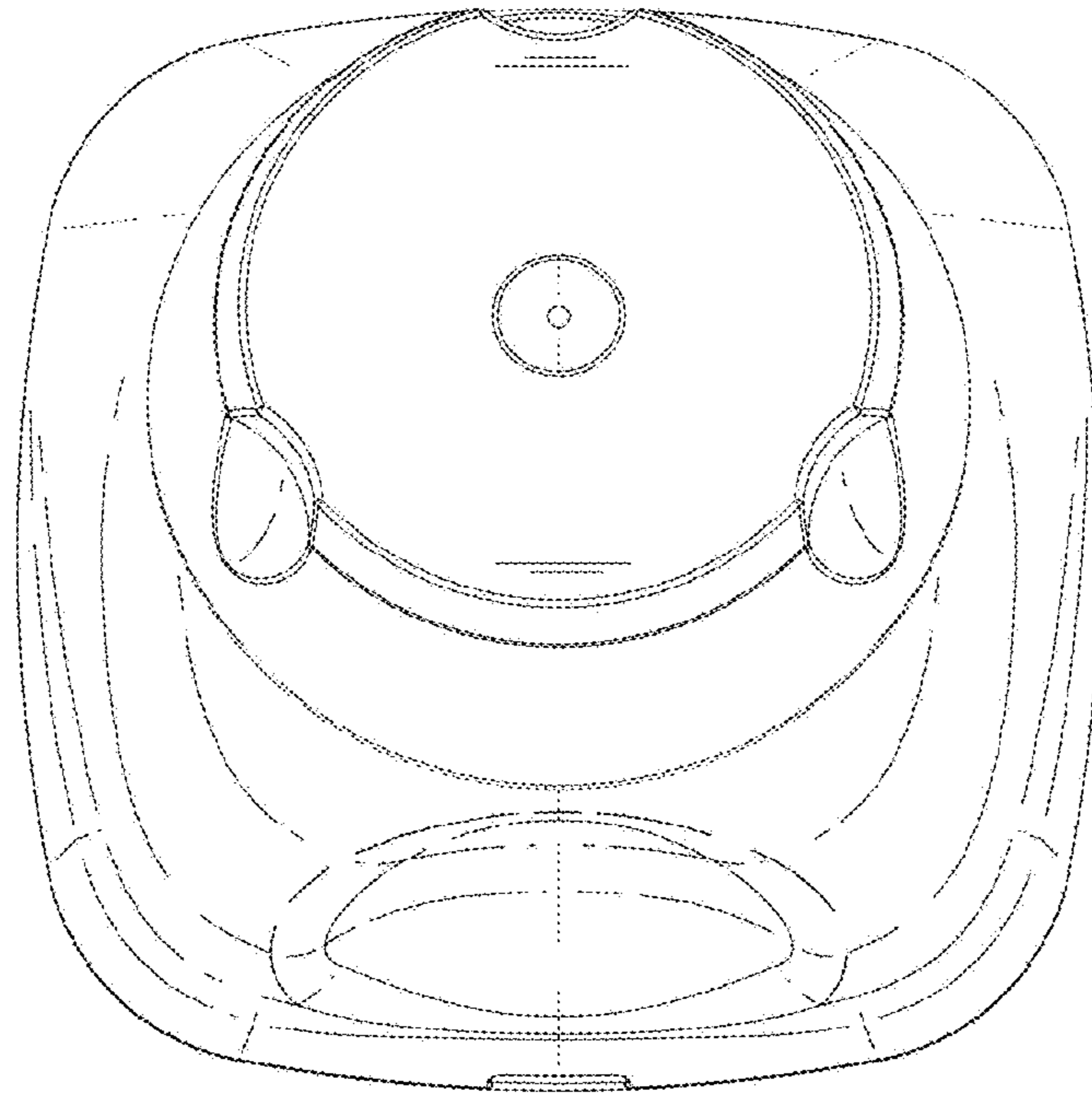


Fig. 5

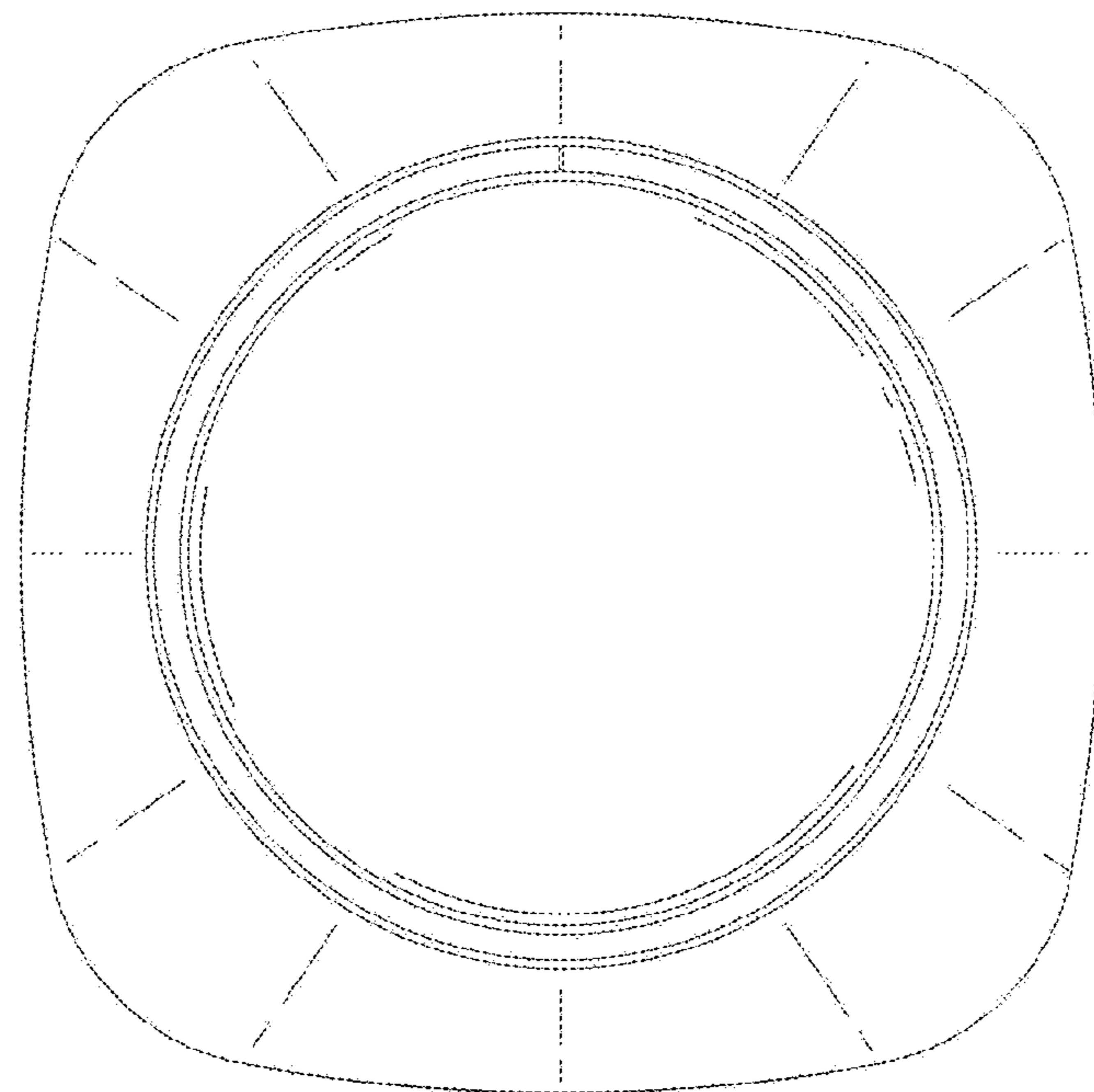


Fig. 6

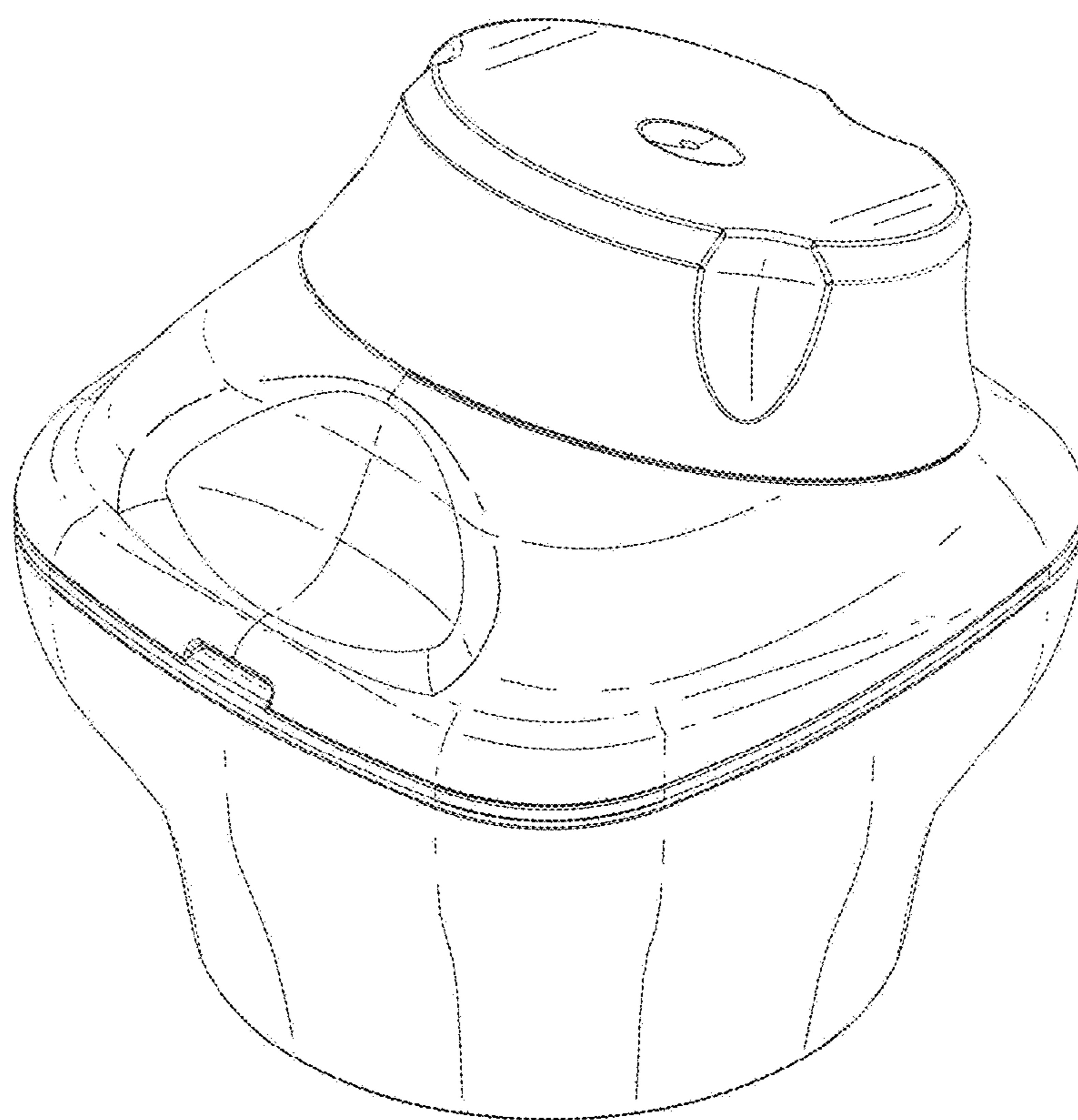


Fig. 7