

US00D702987S

(12) **United States Design Patent**
Gillespie et al.

(10) **Patent No.:** **US D702,987 S**

(45) **Date of Patent:** **** Apr. 22, 2014**

(54) **COOKING GRILL**

(71) Applicants: **Brad Gillespie**, Midland, GA (US);
Mark Edward Davis, Columbus, GA
(US); **José Raul Mendez**, Columbus,
GA (US)

(72) Inventors: **Brad Gillespie**, Midland, GA (US);
Mark Edward Davis, Columbus, GA
(US); **José Raul Mendez**, Columbus,
GA (US)

(73) Assignee: **W.C. Bradley Co.**, Columbus, GA (US)

(**) Term: **14 Years**

(21) Appl. No.: **29/432,635**

(22) Filed: **Sep. 18, 2012**

(51) **LOC (10) Cl.** **07-02**

(52) **U.S. Cl.**
USPC **D7/334**

(58) **Field of Classification Search**
USPC D7/332, 334-337, 402-405, 407, 409,
D7/393-394, 688; 126/29 R, 25 A, 25 B,
126/9 R, 9 B, 37 R, 38, 40, 50, 268, 276,
126/19 M, 41 R, 43-44, 15 R, 15 A, 501, 4;
99/427

See application file for complete search history.

(56) **References Cited**

U.S. PATENT DOCUMENTS

D229,661 S * 12/1973 Lambertson D7/334
D380,933 S * 7/1997 Schlosser et al. D7/334

D449,491 S * 10/2001 Measom D7/334
D496,820 S * 10/2004 Wilder D7/334
D551,490 S * 9/2007 Sacherman D7/335
D570,151 S * 6/2008 Brunner D7/334
D570,641 S * 6/2008 Brunner D7/334
D619,411 S * 7/2010 Hill D7/334
D619,846 S * 7/2010 Dunne et al. D7/334
D656,773 S * 4/2012 May D7/334
2007/0277800 A1 * 12/2007 Chiang 126/25 R

* cited by examiner

Primary Examiner — Ruth McInroy

(74) *Attorney, Agent, or Firm* — Fellers, Snider,
Blankenship, Bailey & Tippens, P.C.; David G. Woodral

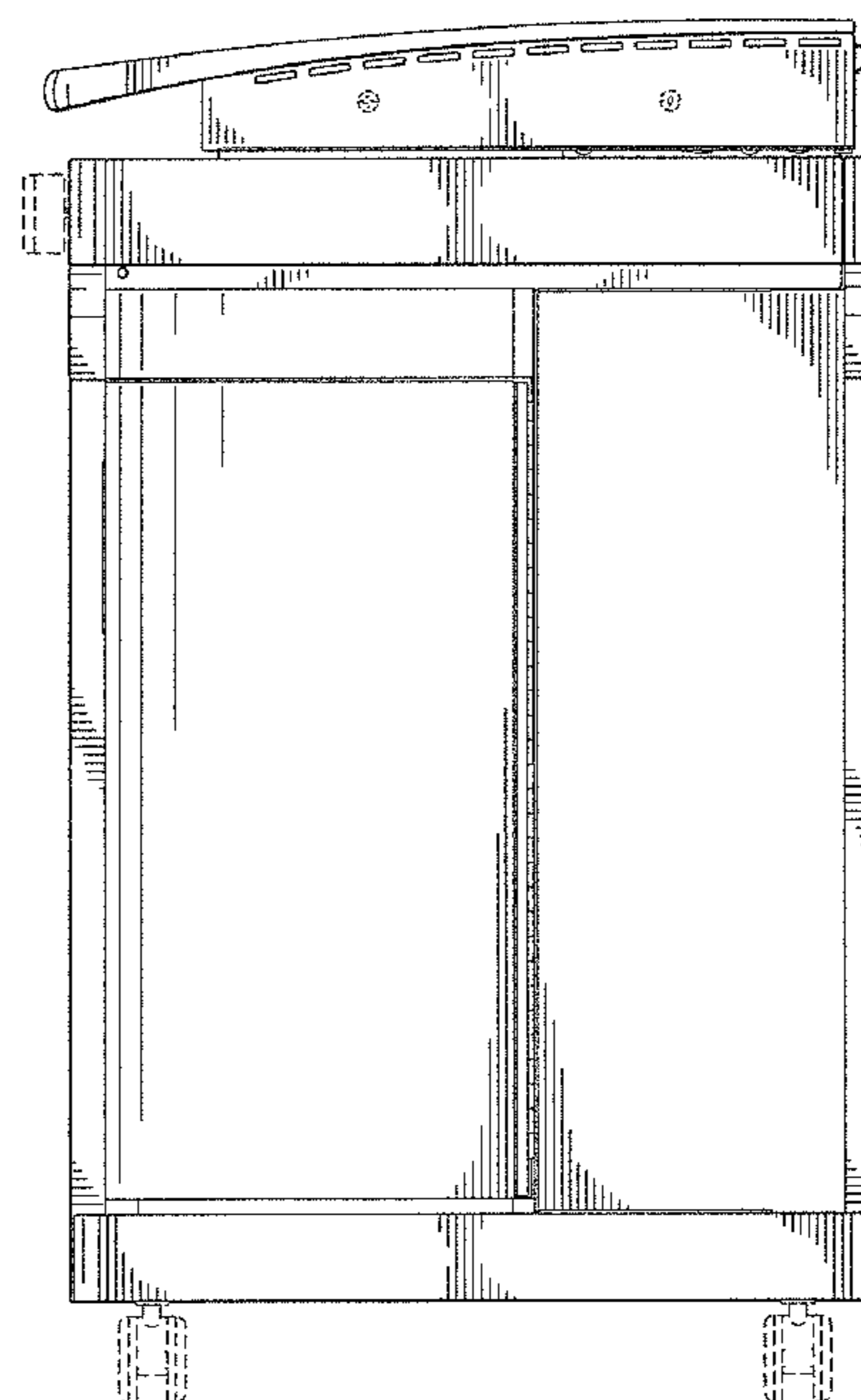
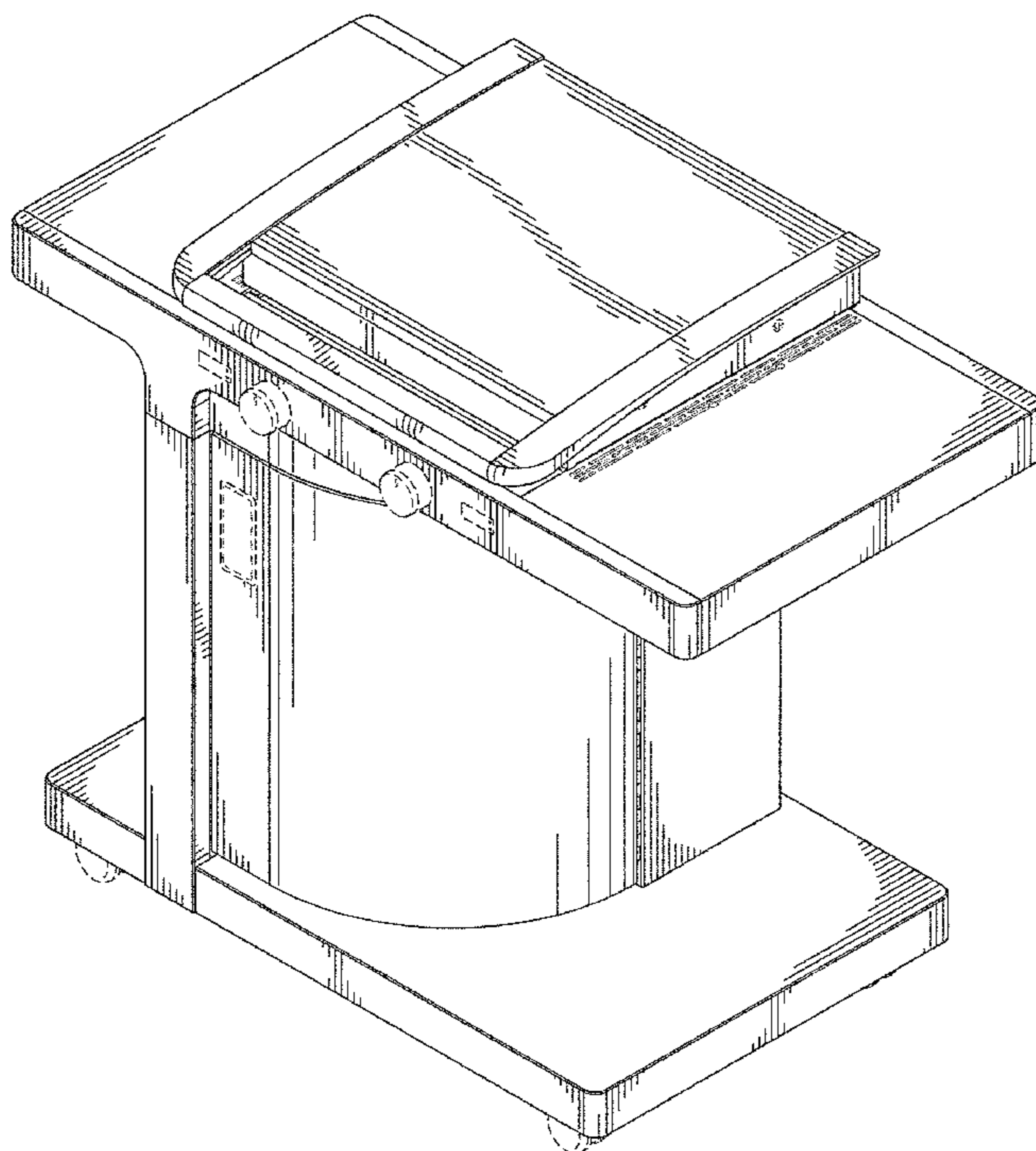
(57) **CLAIM**

The ornamental design for a cooking grill, as shown and described.

DESCRIPTION

FIG. 1 is a perspective view of a cooking grill illustrating my new design.
FIG. 2 is a front elevational view thereof.
FIG. 3 is a rear elevational view thereof.
FIG. 4 is a left side elevational view thereof.
FIG. 5 is a right side elevational thereof.
FIG. 6 is a top plan view thereof; and,
FIG. 7 is a bottom view thereof.
The broken lines are included for the purpose of illustrating portions of the cooking grill that form no part of the claimed design.

1 Claim, 6 Drawing Sheets



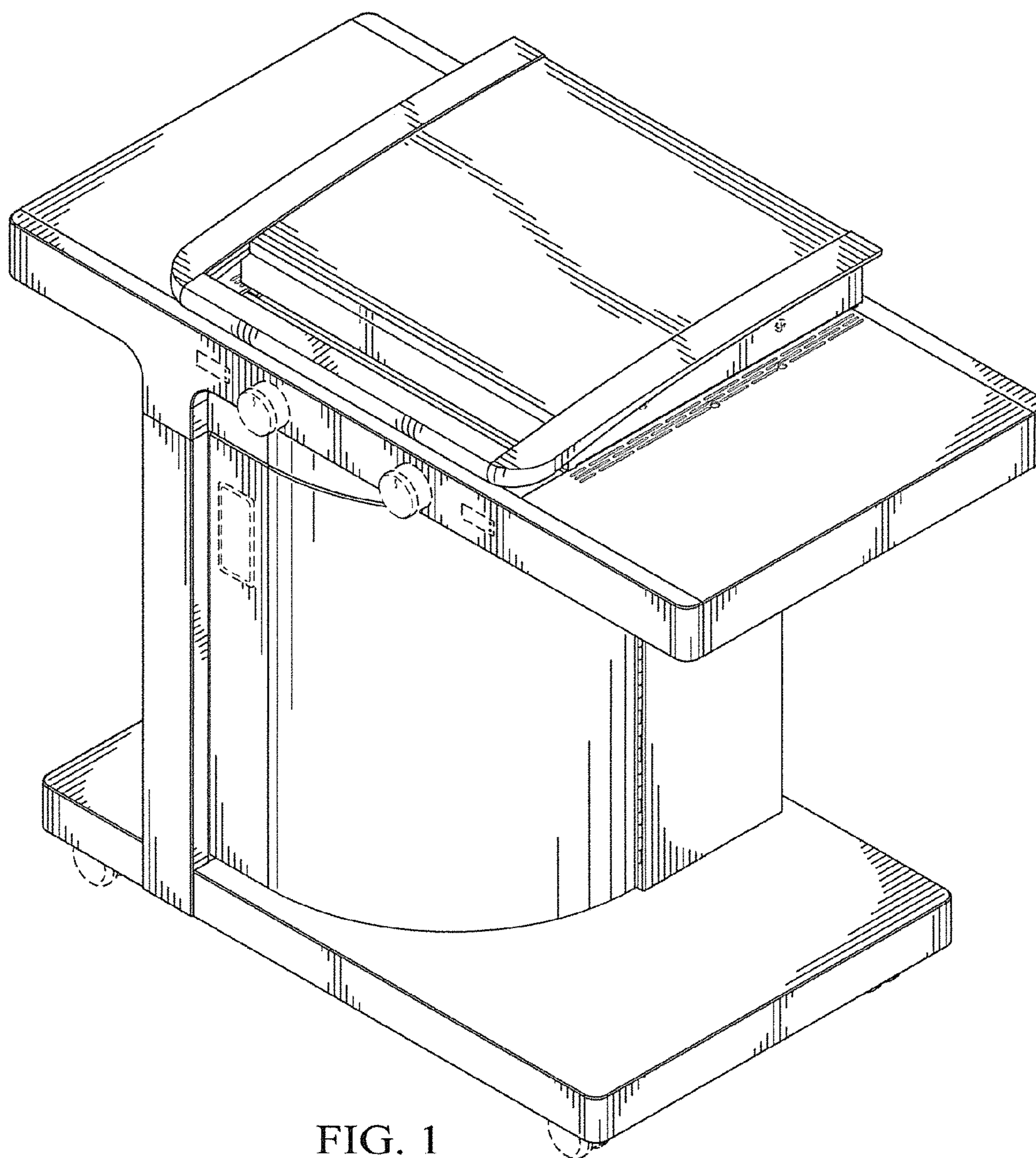


FIG. 1

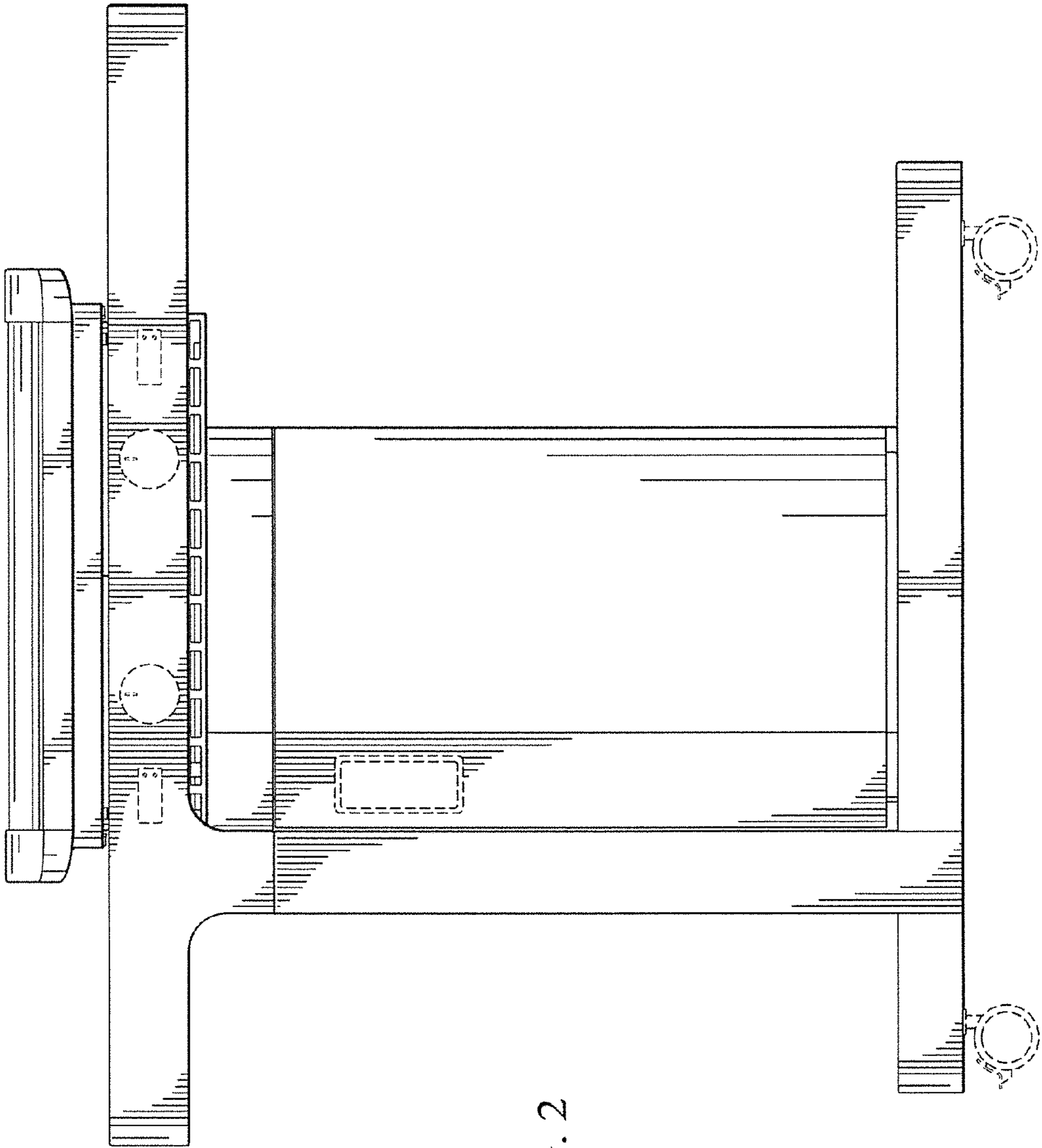


FIG. 2

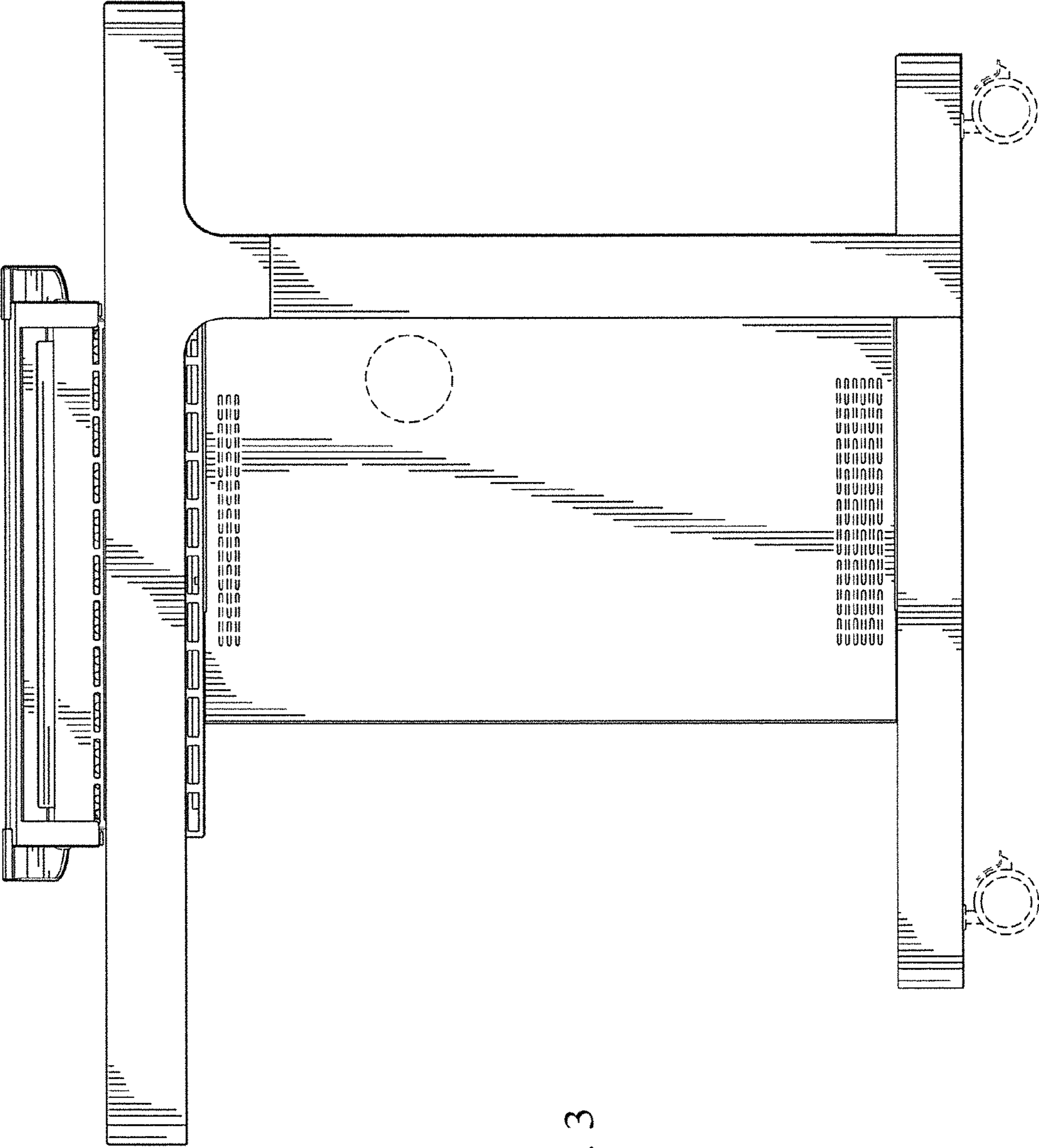


FIG. 3

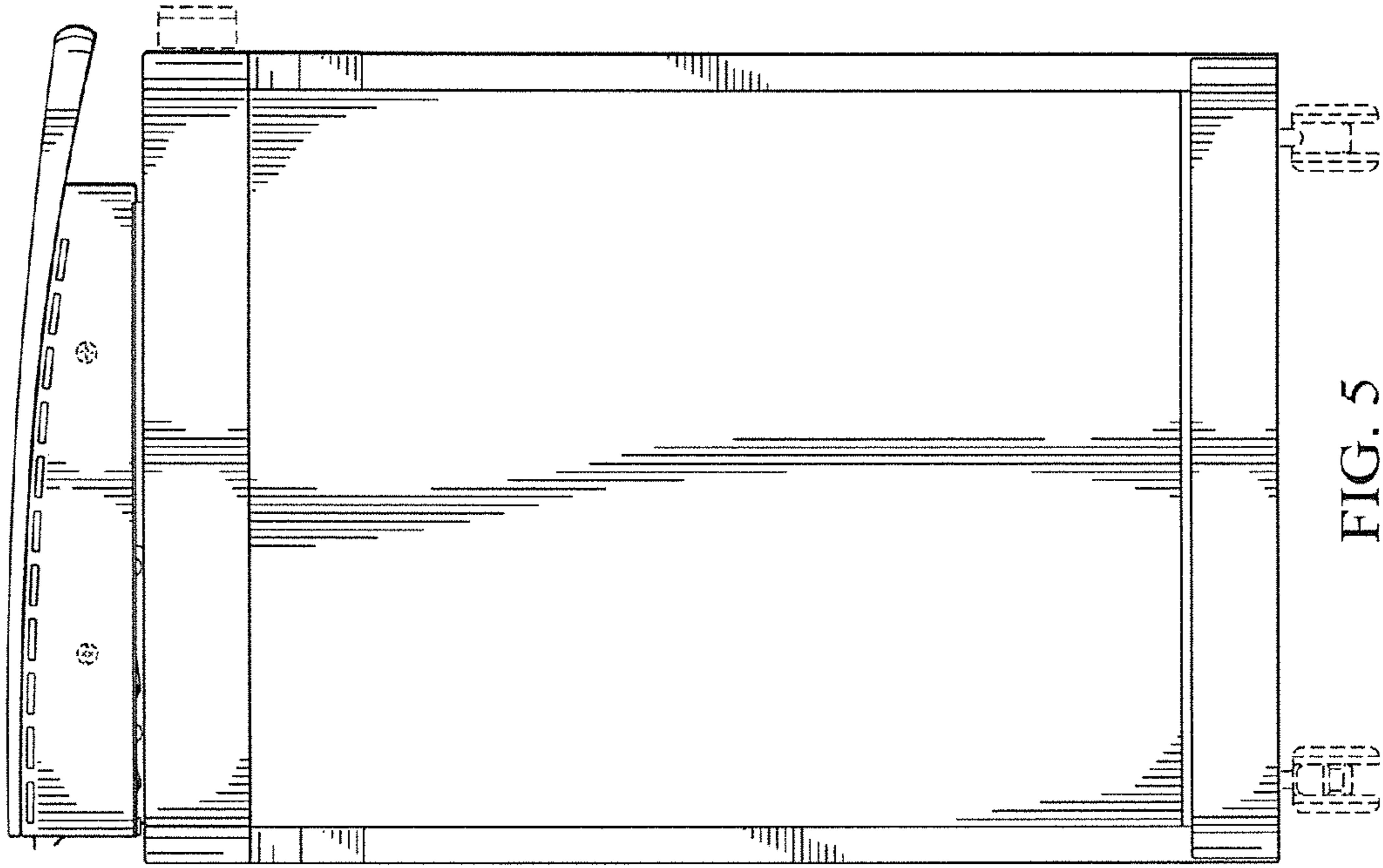


FIG. 5

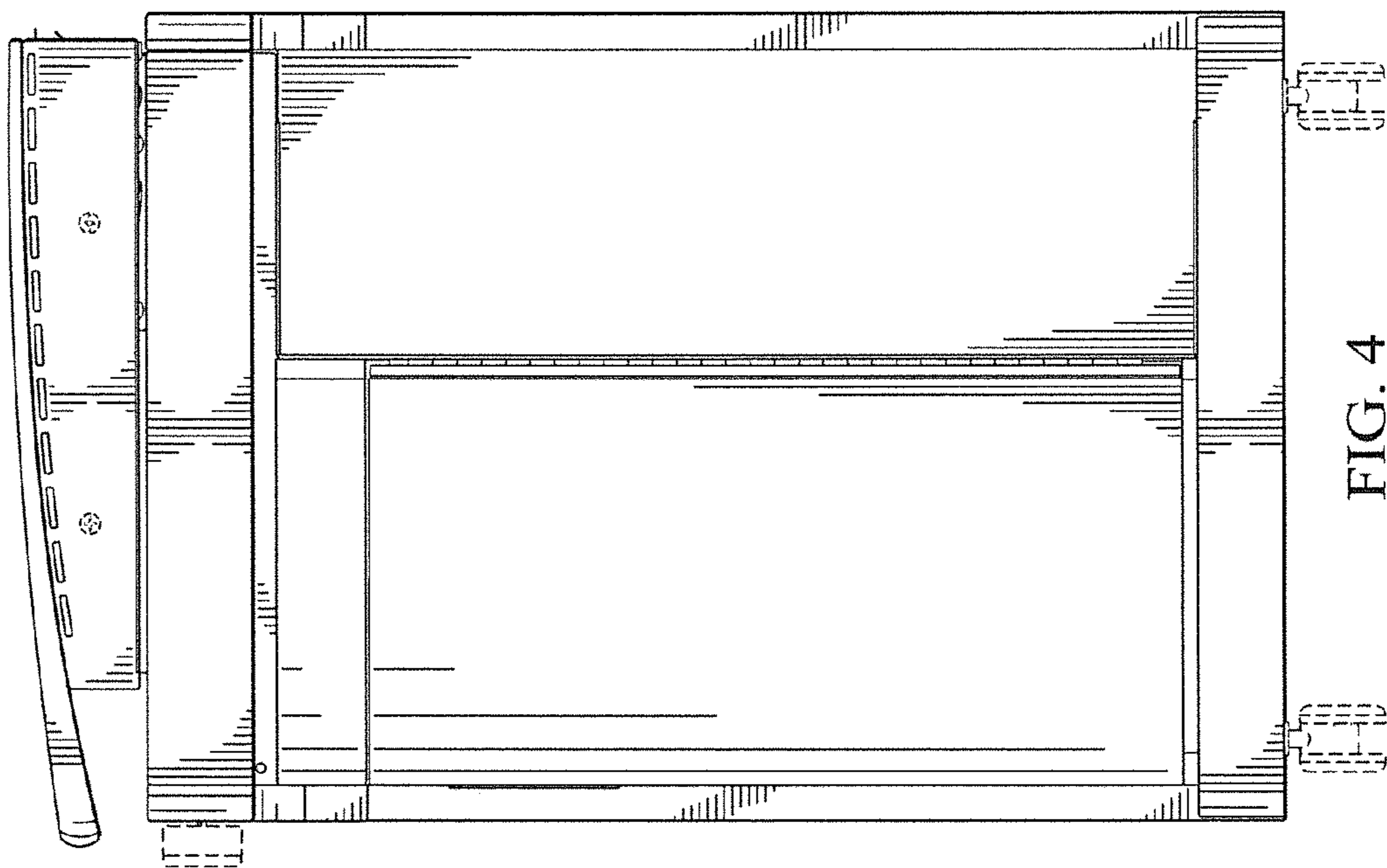


FIG. 4

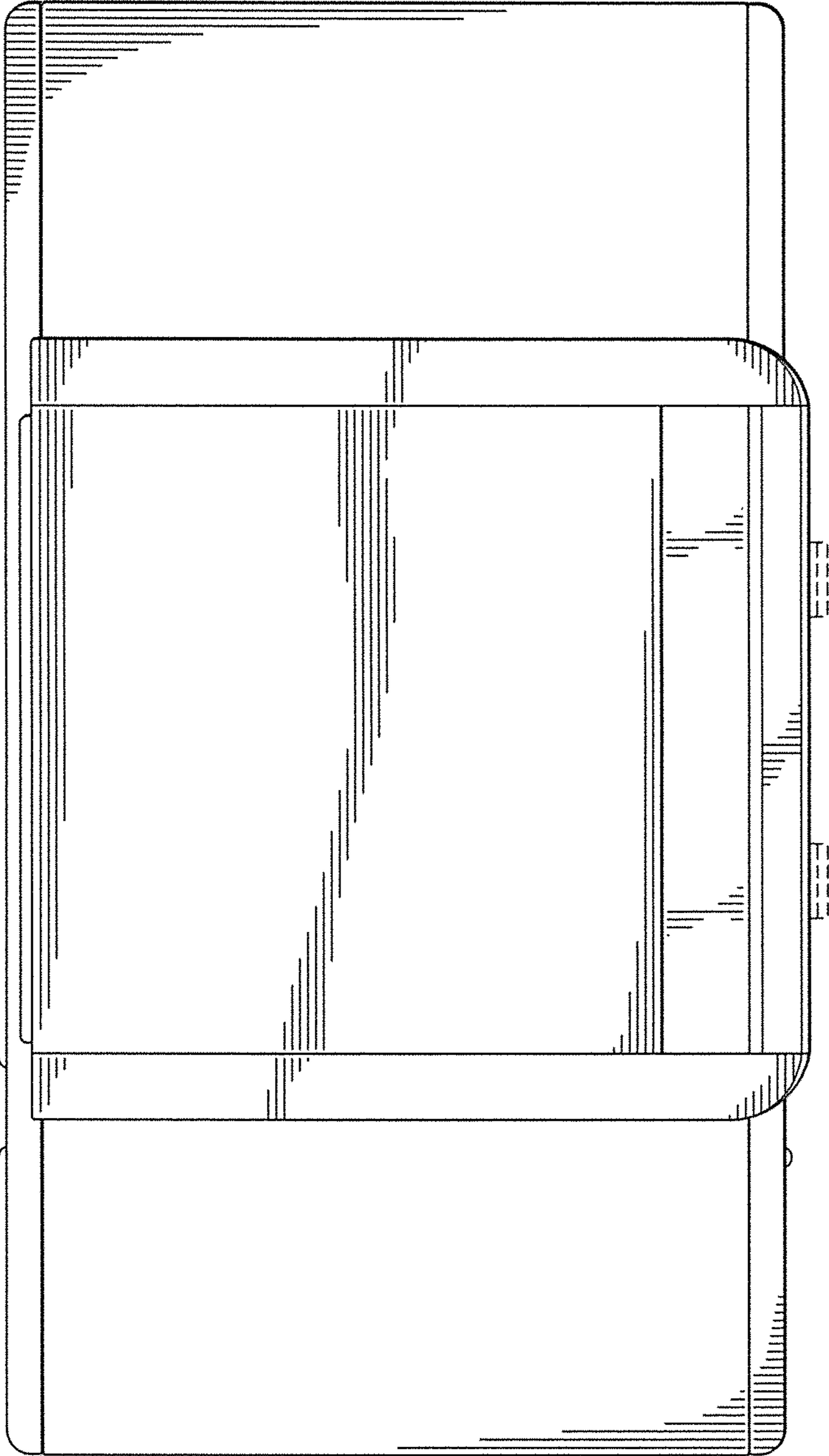


FIG. 6

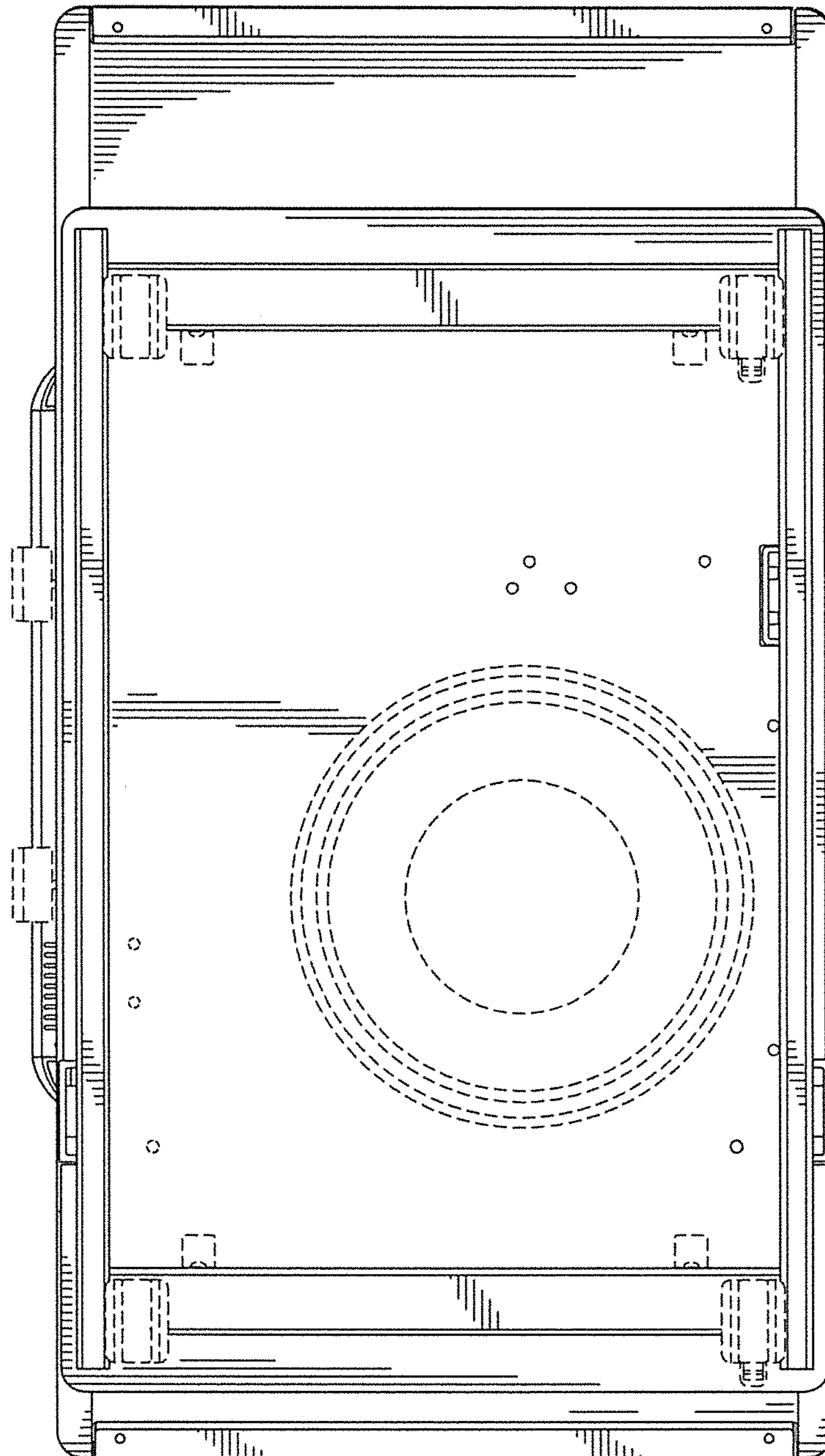


FIG. 7