



US00D702986S

(12) **United States Design Patent**
Tomalin-Reeves

(10) **Patent No.:** **US D702,986 S**
(45) **Date of Patent:** **** Apr. 22, 2014**

- (54) **BARBECUE GRILL**
- (71) Applicant: **Halo Product Design Limited**, London (GB)
- (72) Inventor: **John Tomalin-Reeves**, London (GB)
- (73) Assignee: **Halo Product Design Limited**, London (GB)
- (**) Term: **14 Years**
- (21) Appl. No.: **29/448,910**
- (22) Filed: **Mar. 14, 2013**

- (30) **Foreign Application Priority Data**
Sep. 14, 2012 (EM) 002103481-0002
- (51) **LOC (10) Cl.** **07-02**
- (52) **U.S. Cl.**
USPC **D7/332**
- (58) **Field of Classification Search**
USPC D7/332, 334-337, 402-405, 407-409;
126/25 R, 25 A, 25 AA, 25 B, 9 R, 9 B,
126/41 R, 37 R, 40, 50; D6/574
See application file for complete search history.

- (56) **References Cited**
U.S. PATENT DOCUMENTS

D219,413 S *	12/1970	Glaser et al.	D7/334
5,582,094 A	12/1996	Peterson et al.		
D420,242 S *	2/2000	Chiang	D7/332
D428,299 S *	7/2000	Pai	D7/332
6,104,004 A	8/2000	Ragland et al.		
D462,563 S *	9/2002	Bossler	D7/334
D463,708 S *	10/2002	Bossler	D7/334
D463,709 S *	10/2002	Bossler	D7/334
D480,906 S *	10/2003	Pai	D7/334
D505,824 S *	6/2005	Nipke et al.	D7/334

- | | | | | |
|-----------------|---------|---------------|-------|--------|
| D507,927 S * | 8/2005 | Nipke et al. | | D7/334 |
| D508,364 S * | 8/2005 | Nipke et al. | | D7/334 |
| D508,365 S * | 8/2005 | Nipke et al. | | D7/334 |
| D547,592 S * | 7/2007 | Chiang | | D7/332 |
| D563,144 S * | 3/2008 | Melzer et al. | | D7/332 |
| D679,936 S * | 4/2013 | Chung | | D7/332 |
| 2010/0258105 A1 | 10/2010 | Simms, II | | |
| 2011/0219958 A1 | 9/2011 | Noble | | |

FOREIGN PATENT DOCUMENTS

WO 2012/097131 7/2012

OTHER PUBLICATIONS

Search Report for United Kingdom patent application No. GB1216464.6, dated Jan. 16, 2013 (4 pages), no drawings submitted.

* cited by examiner

Primary Examiner — Ruth McInroy

(74) *Attorney, Agent, or Firm* — Hamre, Schumann, Mueller & Larson, P.C.

(57) **CLAIM**

The ornamental design for a barbecue grill, as shown and described.

DESCRIPTION

FIG. 1 is a top perspective view of a barbecue grill showing my new design;
 FIG. 2 is a front view thereof;
 FIG. 3 is a side view thereof, the opposite side being a mirror image;
 FIG. 4 is a rear view thereof;
 FIG. 5 is a top plan view thereof; and,
 FIG. 6 is a bottom plan view thereof.
 The details shown in broken lines form no part of the claimed design.

1 Claim, 6 Drawing Sheets

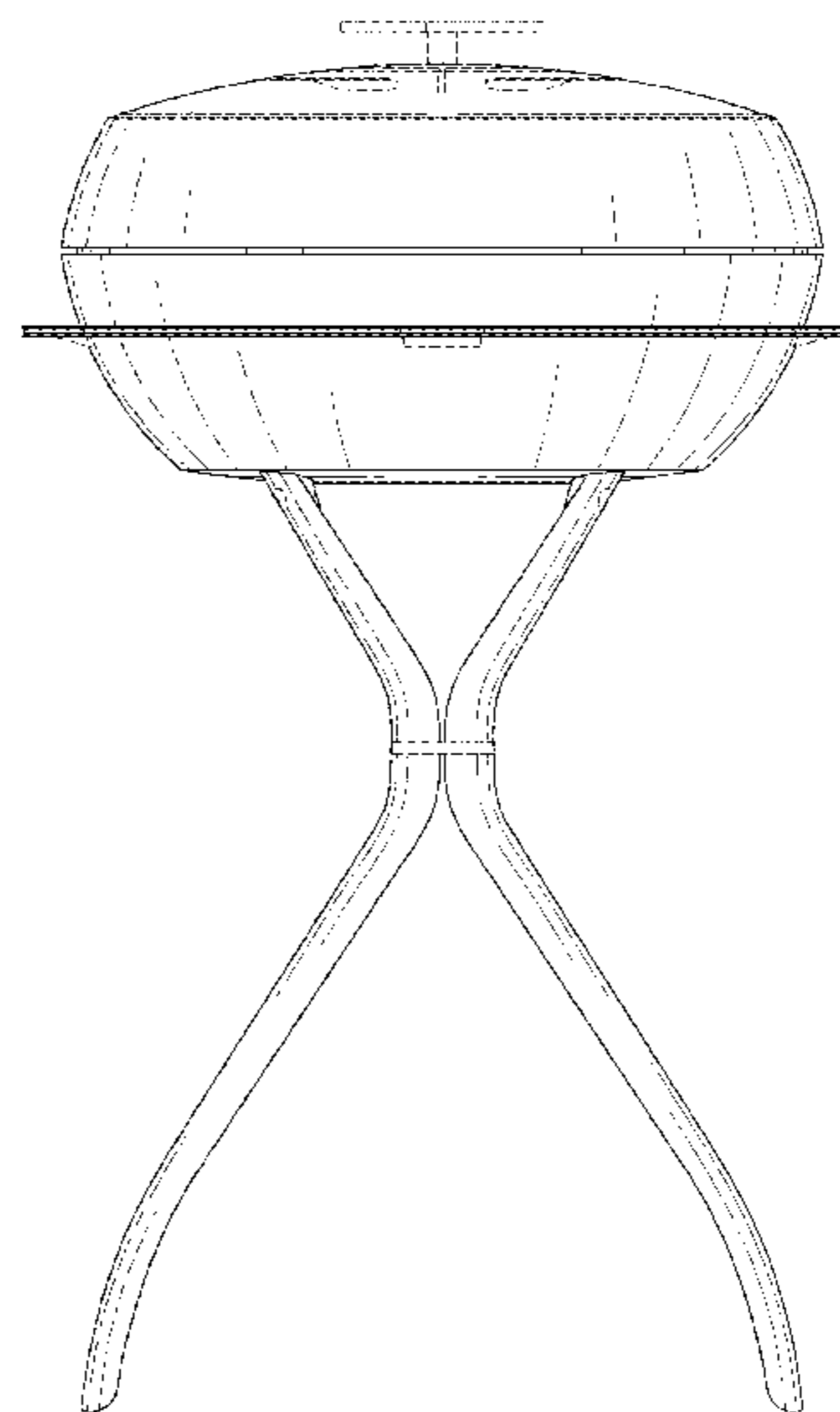
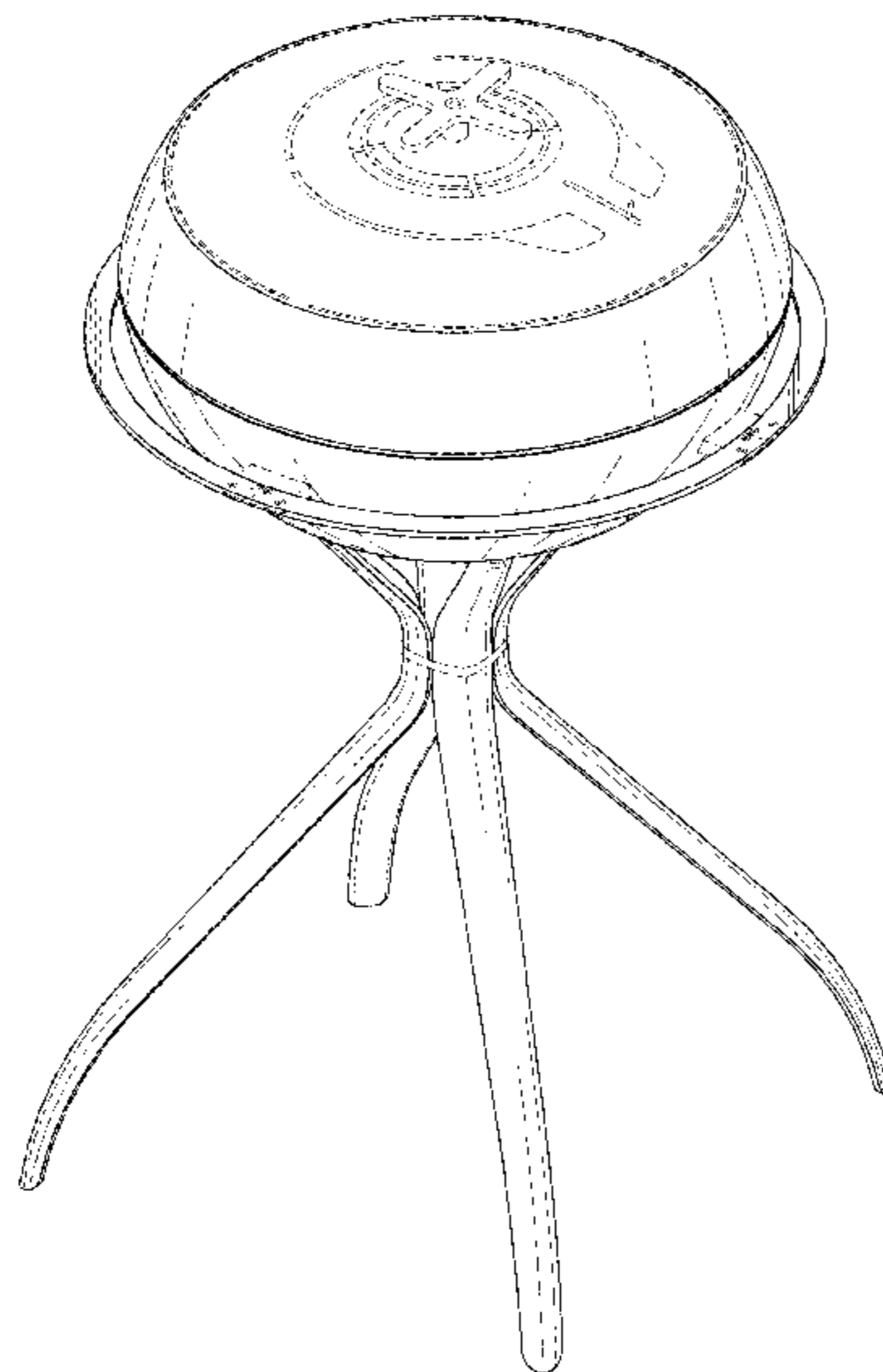


Fig. 1

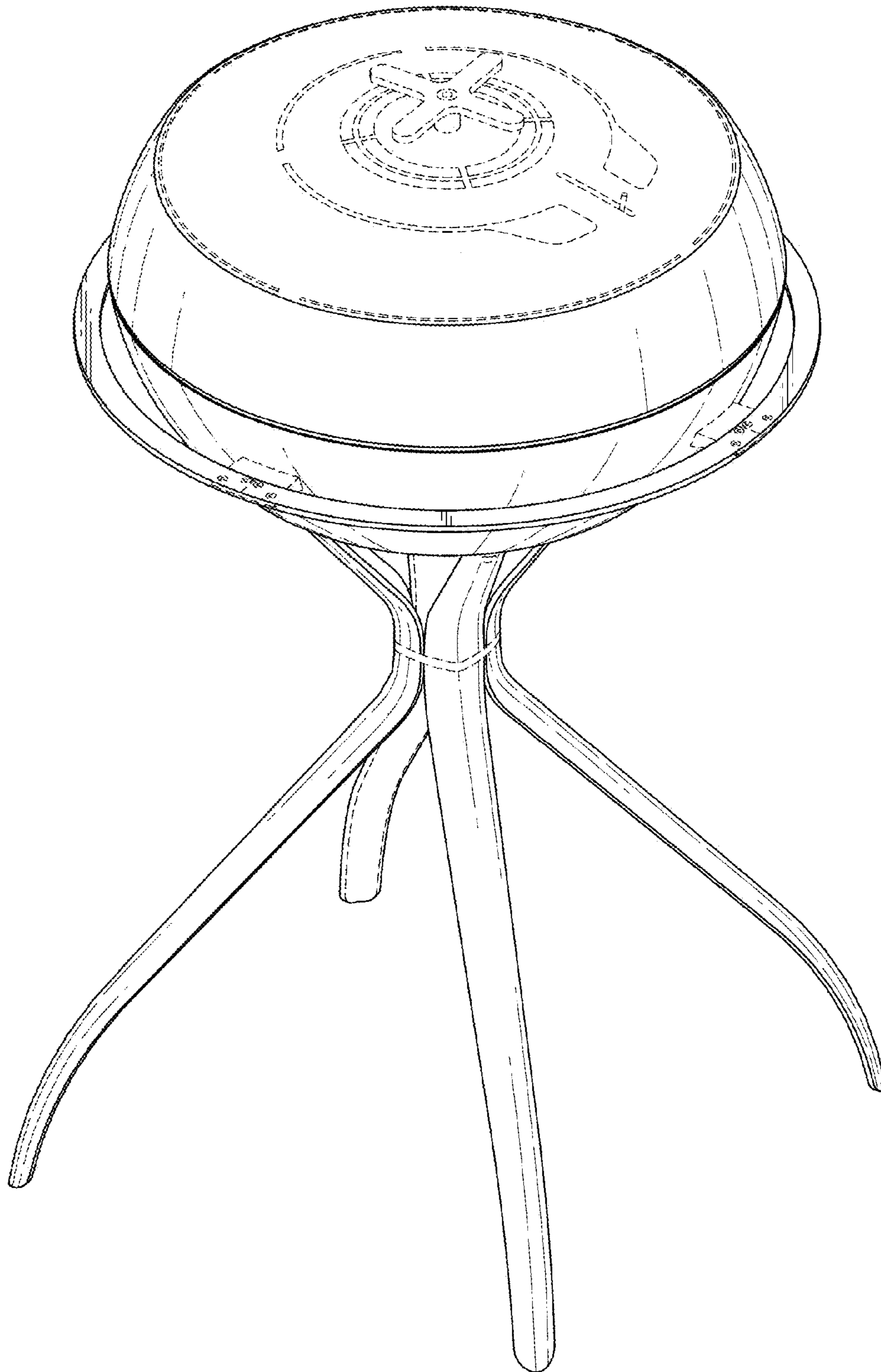


Fig. 2

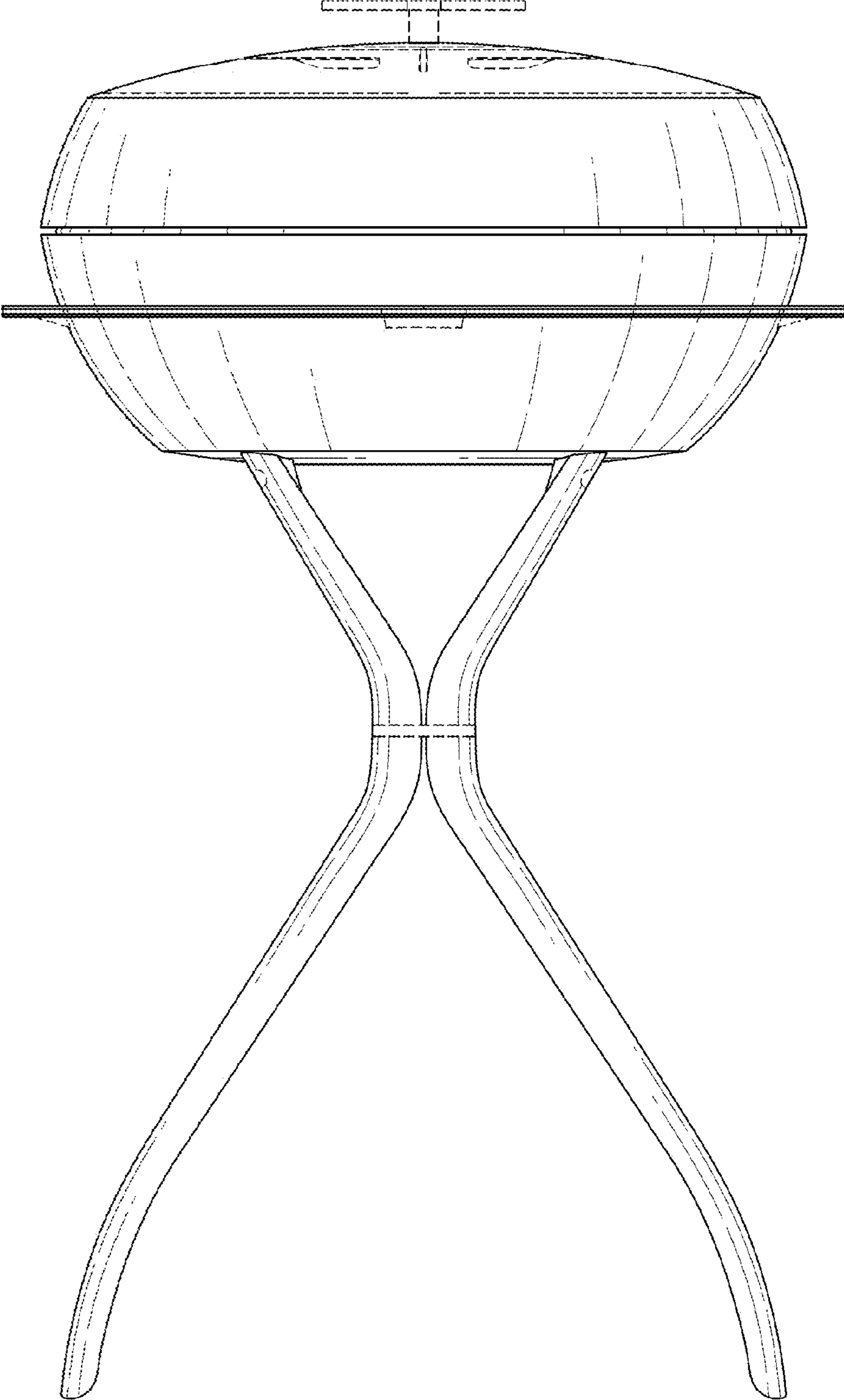


Fig. 3

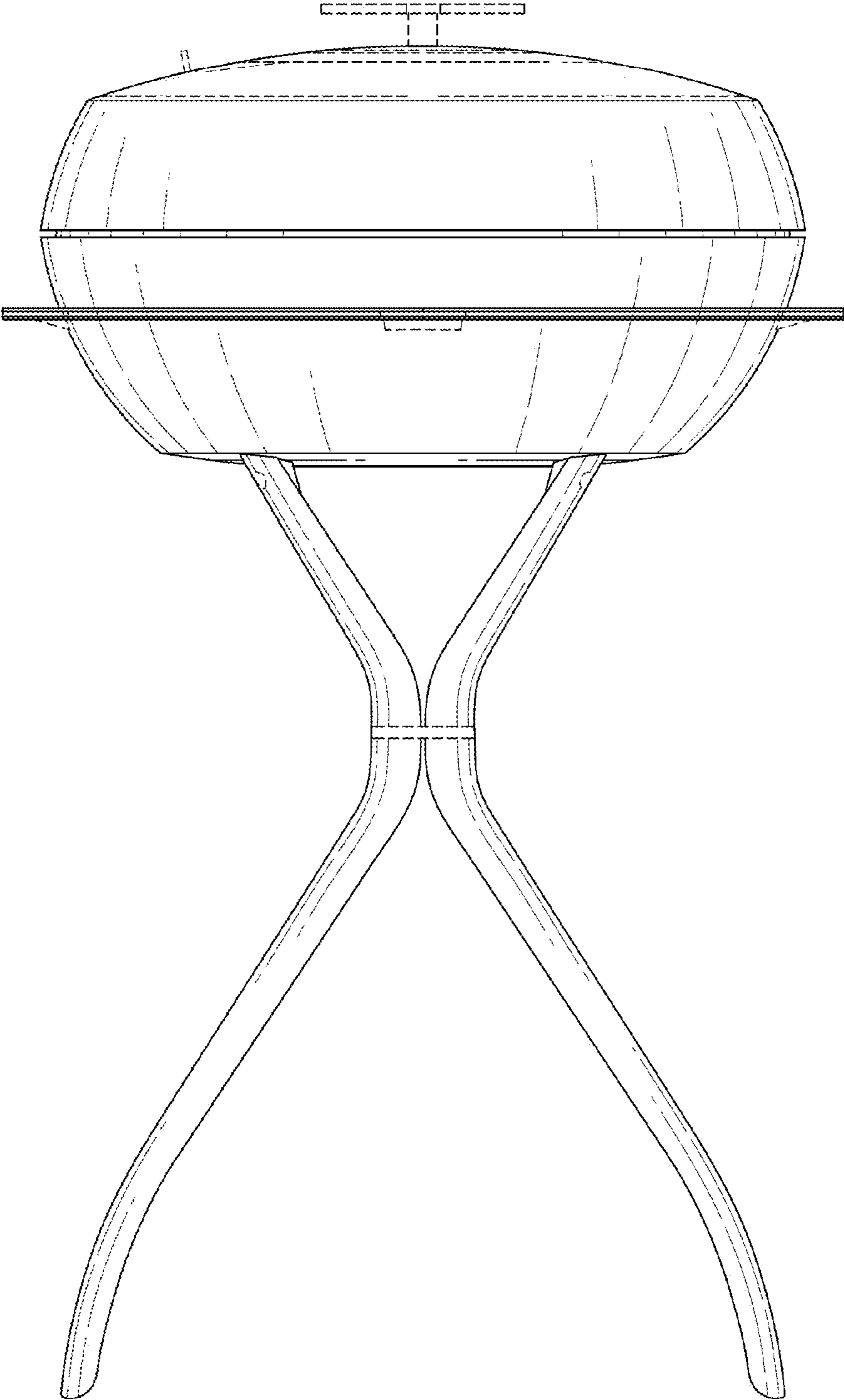


Fig. 4

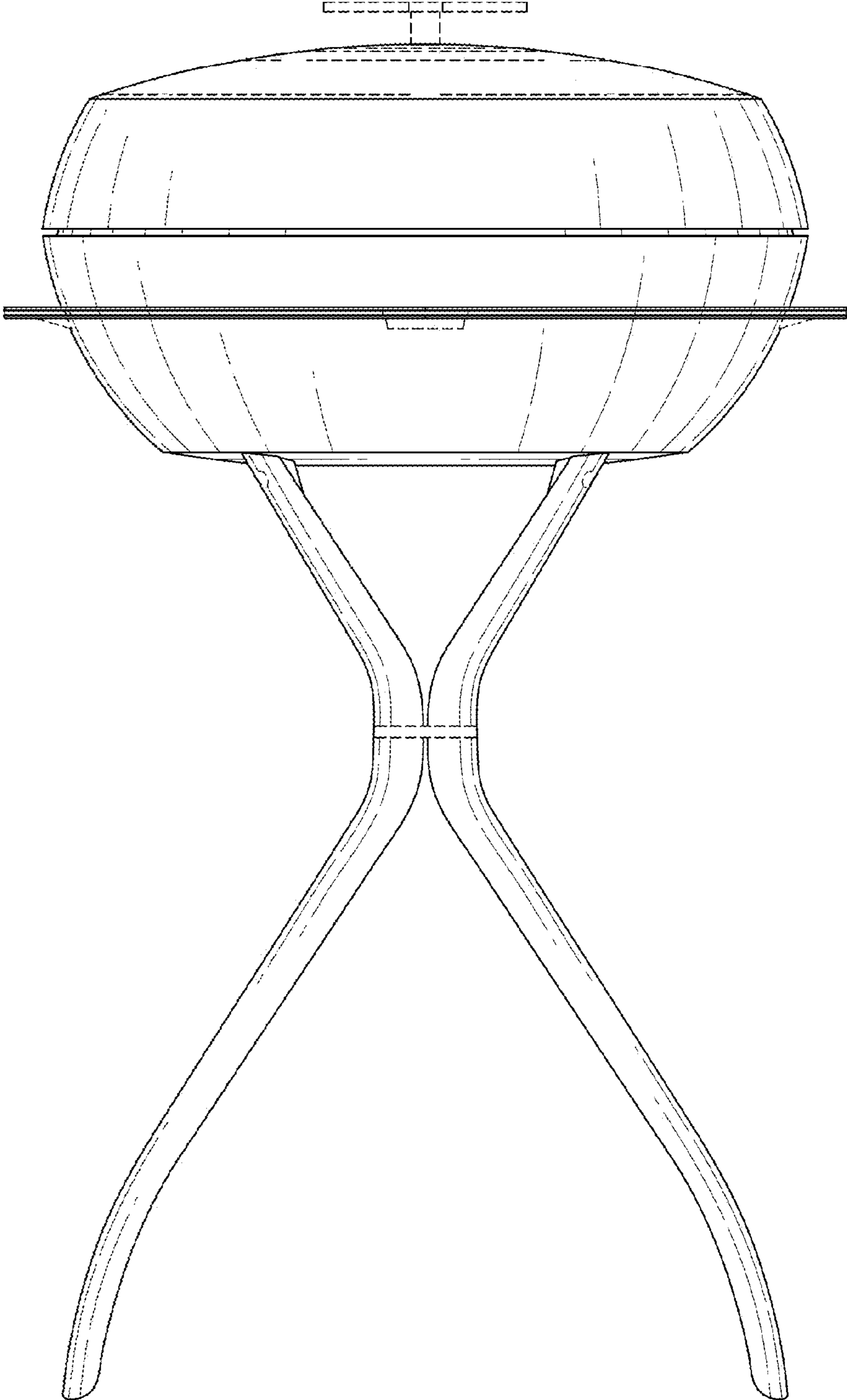


Fig. 5

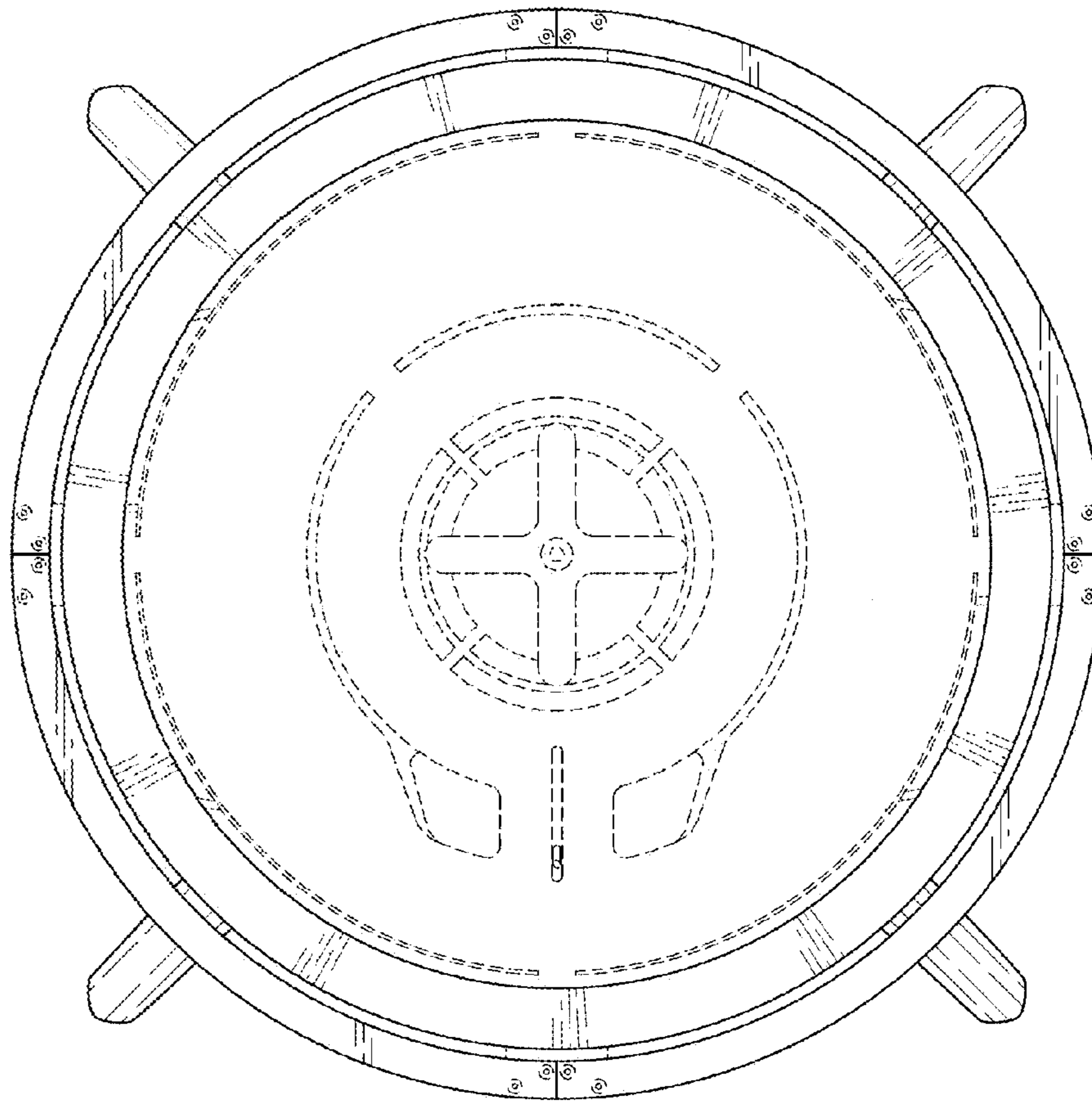


Fig. 6

