



US00D702984S

(12) **United States Design Patent**  
**Hanneson et al.**

(10) **Patent No.:** **US D702,984 S**  
(45) **Date of Patent:** **\*\* Apr. 22, 2014**

(54) **BEVERAGE MACHINE**

(71) Applicant: **Ontario Inc.**, Mississauga (CA)

(72) Inventors: **Scott Jeffrey Hanneson**, Mississauga (CA); **Thomas Joseph Pfeifer**, Louisville, KY (US); **Andrew Steven Juhasz**, Ajax (CA); **Angelo Giovannone**, Bolton (CA); **Jeffrey Stephen Wollenzien**, Toronto (CA)

(73) Assignee: **2266170 Ontario Inc.**, Mississauga, ON (CA)

(\*\*) Term: **14 Years**

(21) Appl. No.: **29/454,360**

(22) Filed: **May 9, 2013**

(51) **LOC (10) Cl.** ..... **07-01**

(52) **U.S. Cl.**  
USPC ..... **D7/306; D7/311**

(58) **Field of Classification Search**  
USPC ..... D7/306–308, 311, 313, 301, 300, 305, D7/304, 309, 310; 220/720, 281, 714; 222/146.6, 146.1, 129.1, 185.1; D9/636, 638; D25/6; 239/17; 219/438; D20/5, 4; D23/207; 99/295, 279, 281, 99/289 R, 289, 307; D15/80, 82  
See application file for complete search history.

(56) **References Cited**

**U.S. PATENT DOCUMENTS**

D513,572 S \* 1/2006 Schaffeld et al. .... D7/309  
7,024,983 B2 \* 4/2006 Grant et al. .... 99/281

D538,577 S \* 3/2007 Glucksman et al. .... D7/306  
D623,000 S \* 9/2010 Muraudou et al. .... D7/309  
D649,390 S \* 11/2011 Santoiemmo ..... D7/306  
8,210,095 B2 \* 7/2012 Brezovnik et al. .... 99/295  
D666,051 S \* 8/2012 de Pra ..... D7/309  
8,250,972 B2 \* 8/2012 Santoiemmo ..... 99/323.2  
D674,232 S \* 1/2013 Lavy et al. .... D7/309  
D674,233 S \* 1/2013 Lavy et al. .... D7/309  
D677,251 S \* 3/2013 Melanson et al. .... D14/250  
D677,674 S \* 3/2013 Rampson et al. .... D14/485  
D683,174 S \* 5/2013 Regamey ..... D7/306

\* cited by examiner

*Primary Examiner* — Marianne Pandozzi

(74) *Attorney, Agent, or Firm* — Manelli Selter PLLC; Edward J. Stemberger

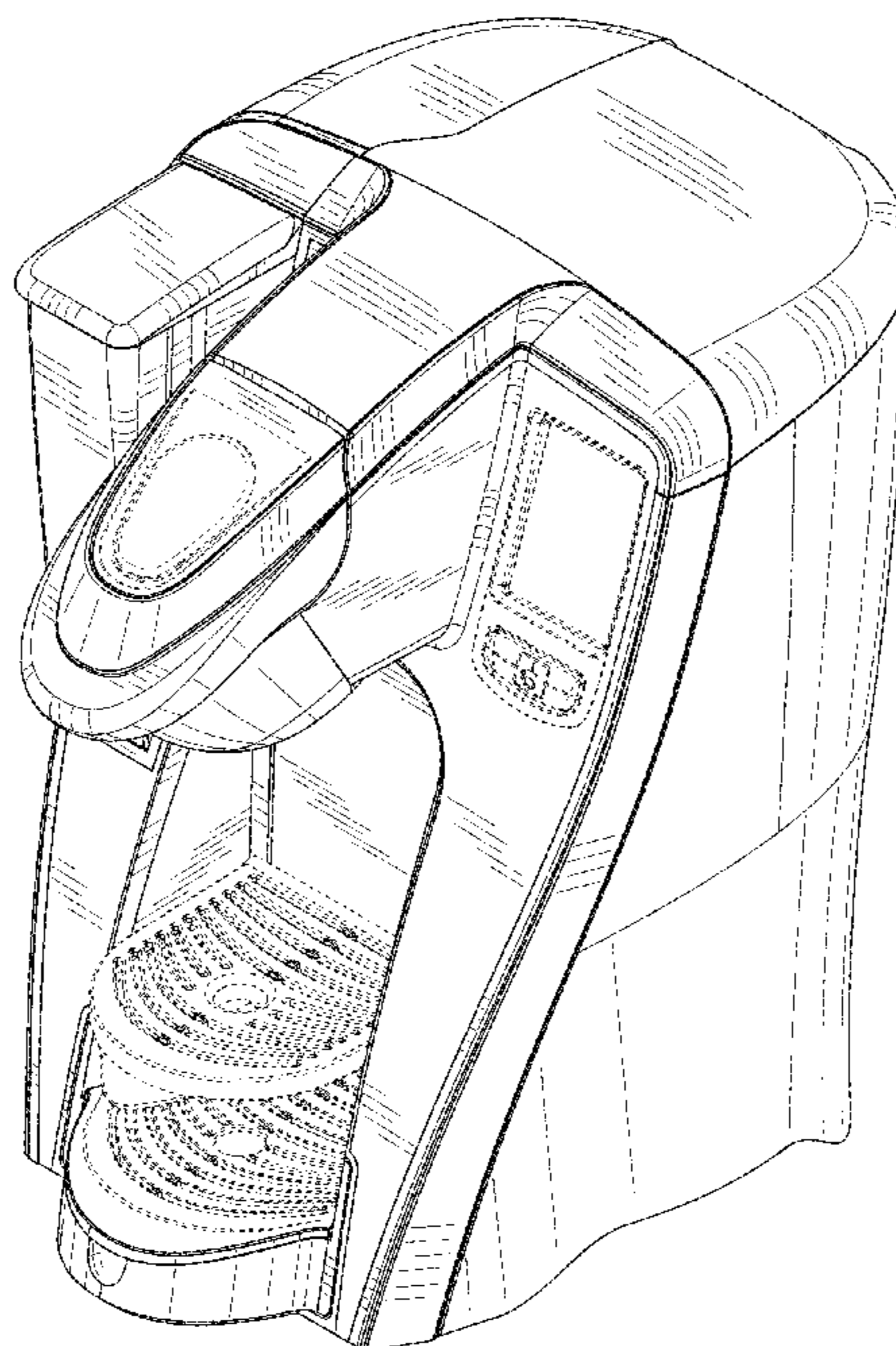
(57) **CLAIM**

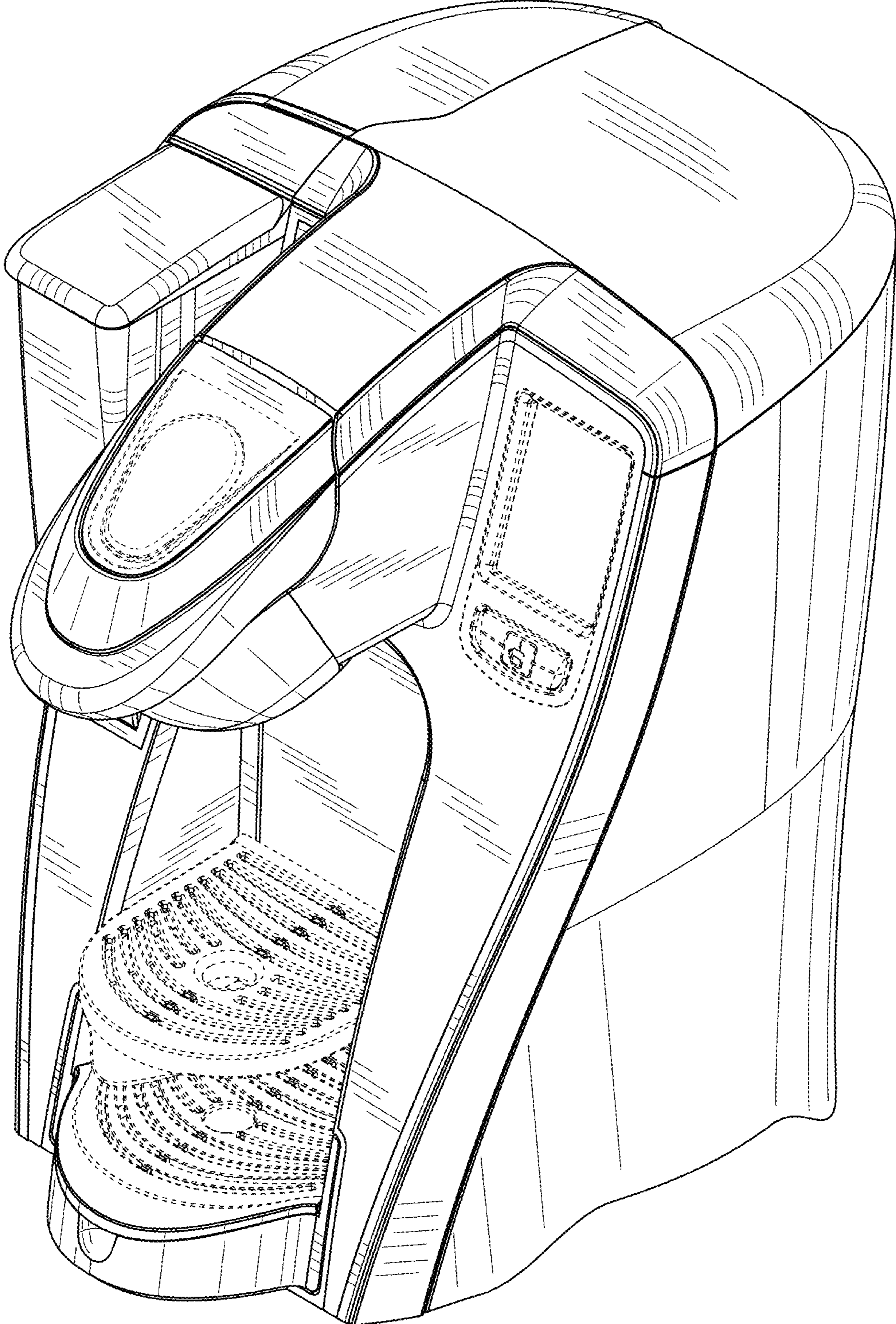
The ornamental design for a beverage machine, as shown.

**DESCRIPTION**

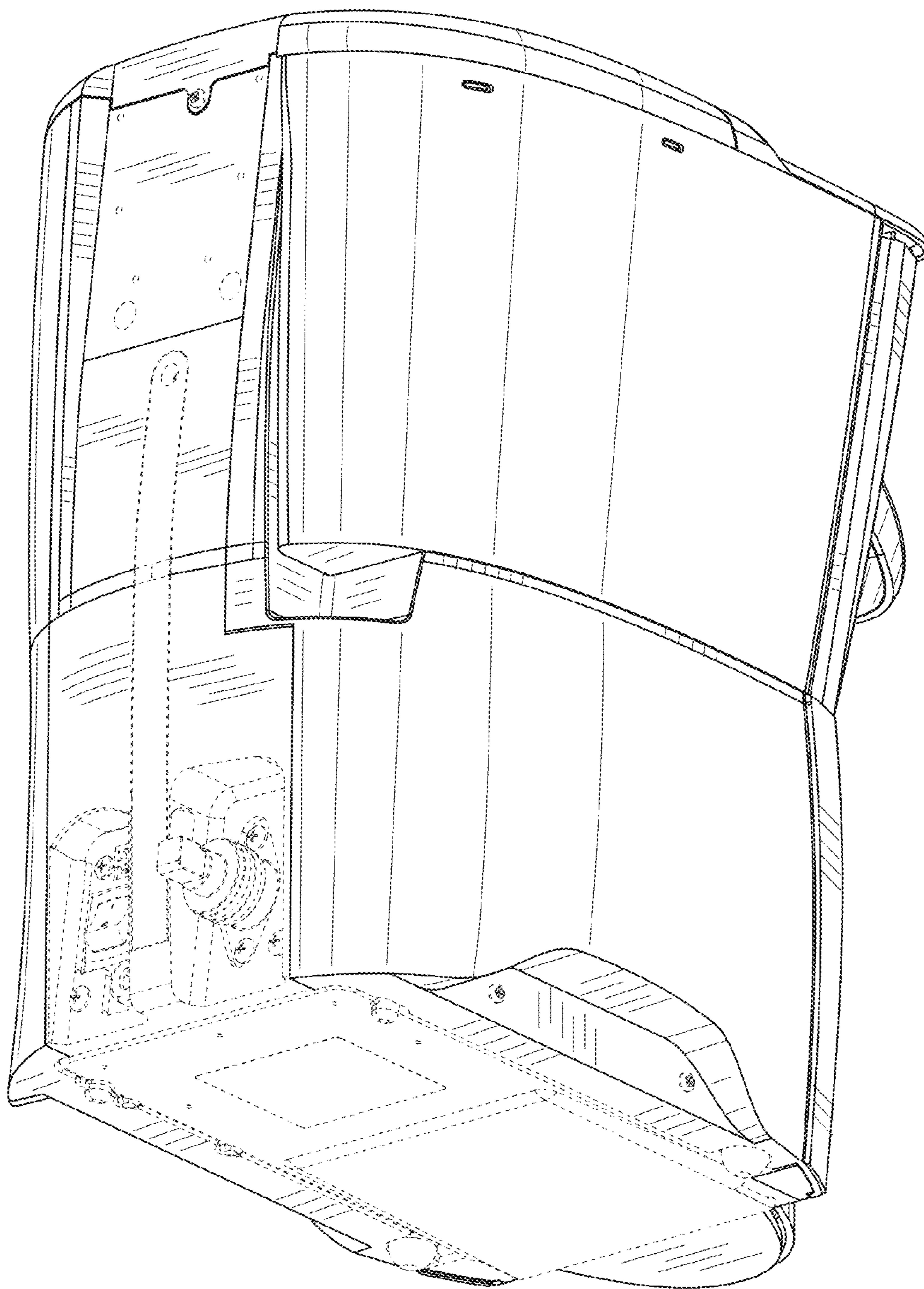
FIG. 1 is a front perspective view of a beverage machine in accordance with the invention;  
FIG. 2 is a rear perspective view thereof;  
FIG. 3 is a left side view thereof;  
FIG. 4 is a front view thereof;  
FIG. 5 is a right side view thereof;  
FIG. 6 is a rear view thereof;  
FIG. 7 is a top view thereof;  
FIG. 8 is a bottom view thereof; and,  
FIG. 9 is a front perspective view thereof in a loading position.  
Portions of the design shown in dashed lines form no part of the claimed invention but instead are shown for context or environment only.

**1 Claim, 9 Drawing Sheets**

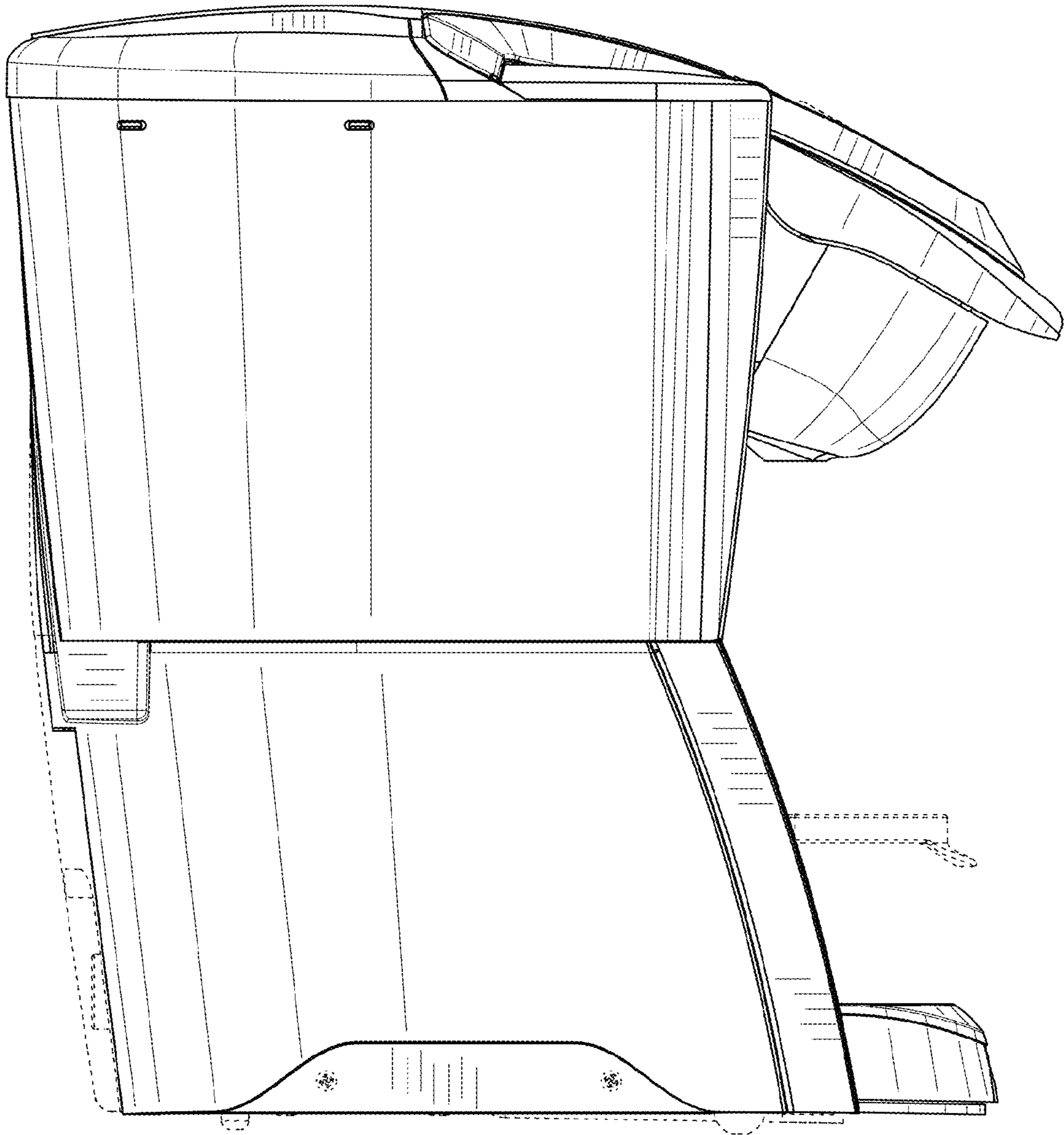




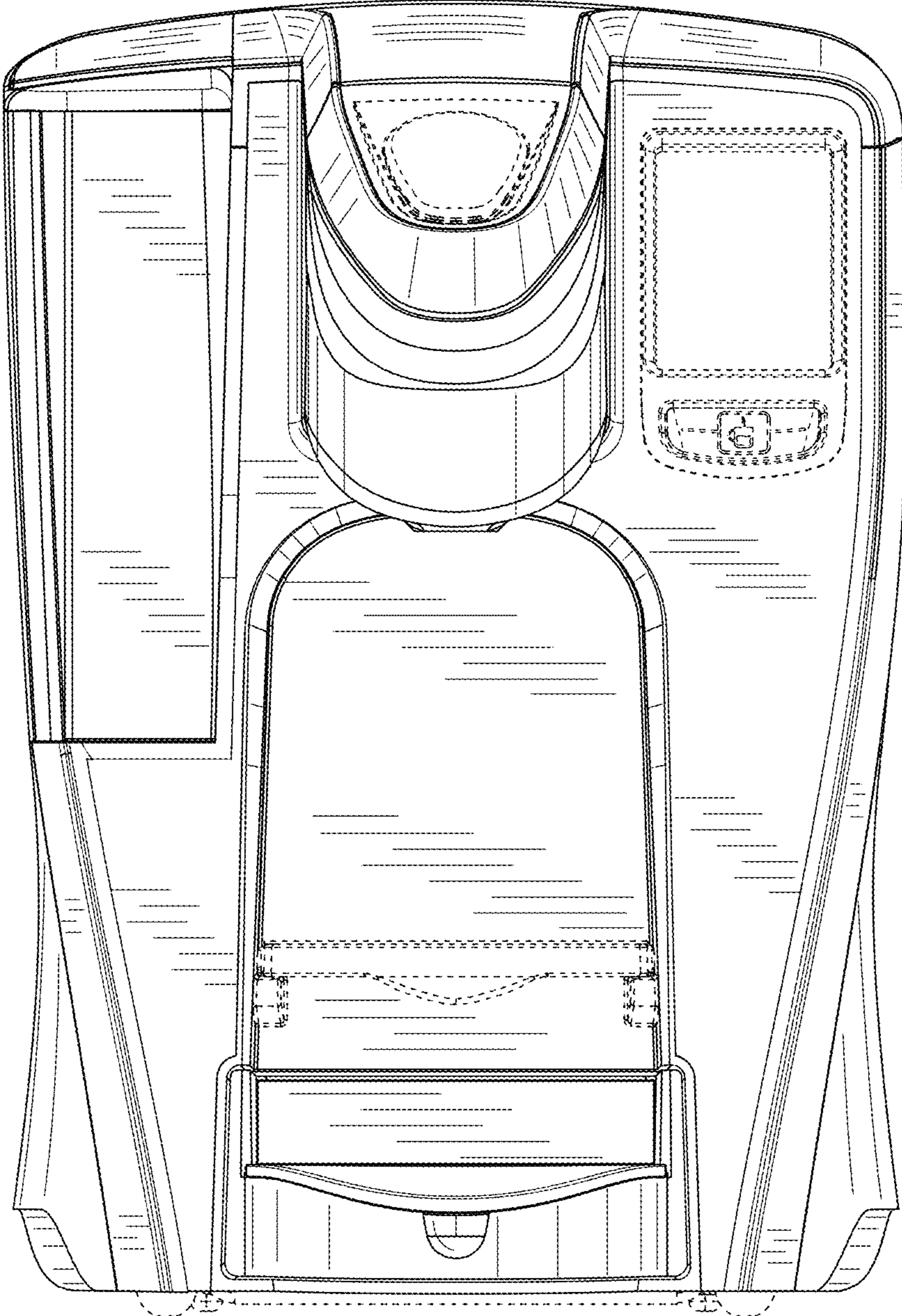
**FIG. 1**



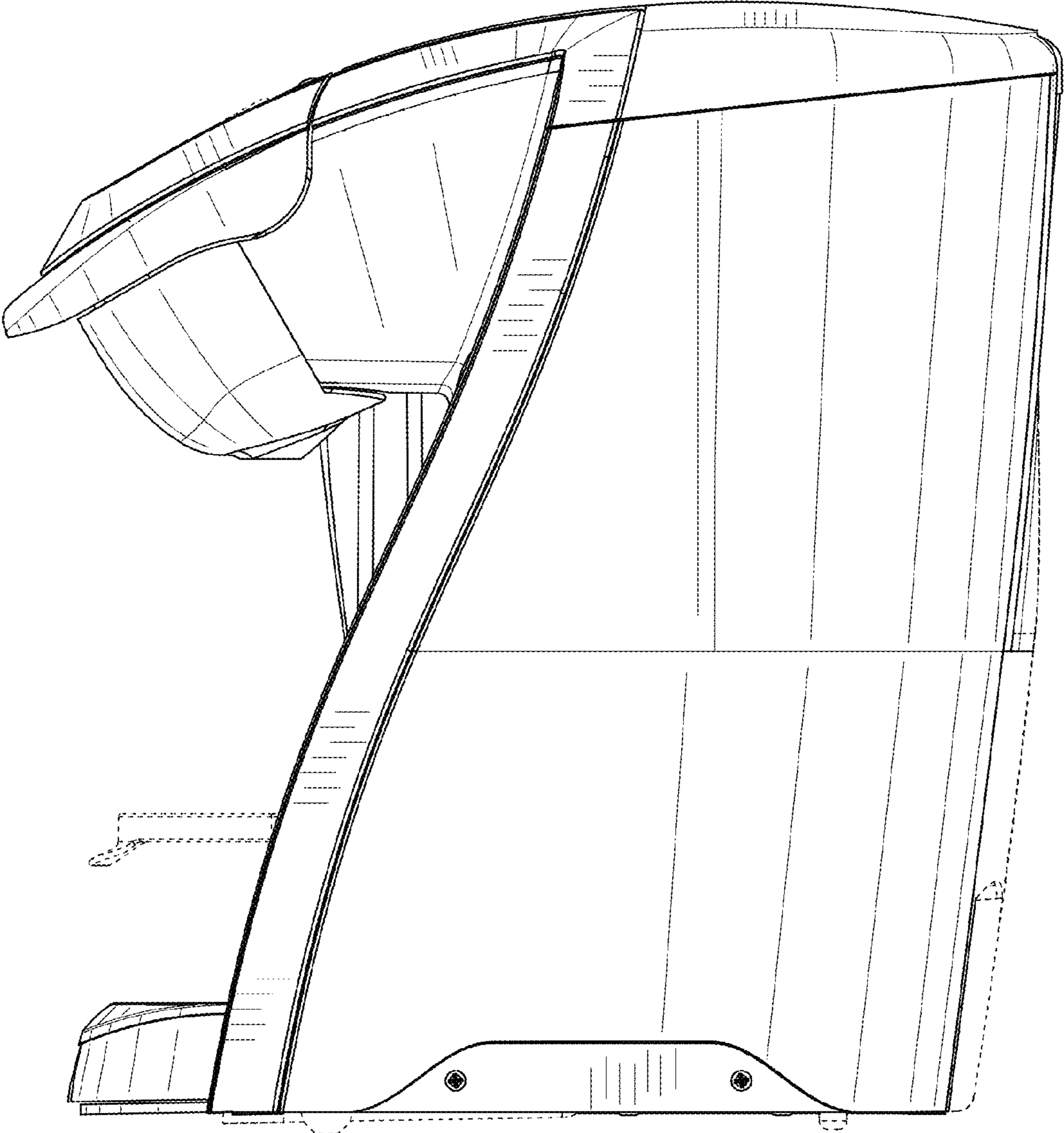
**FIG. 2**



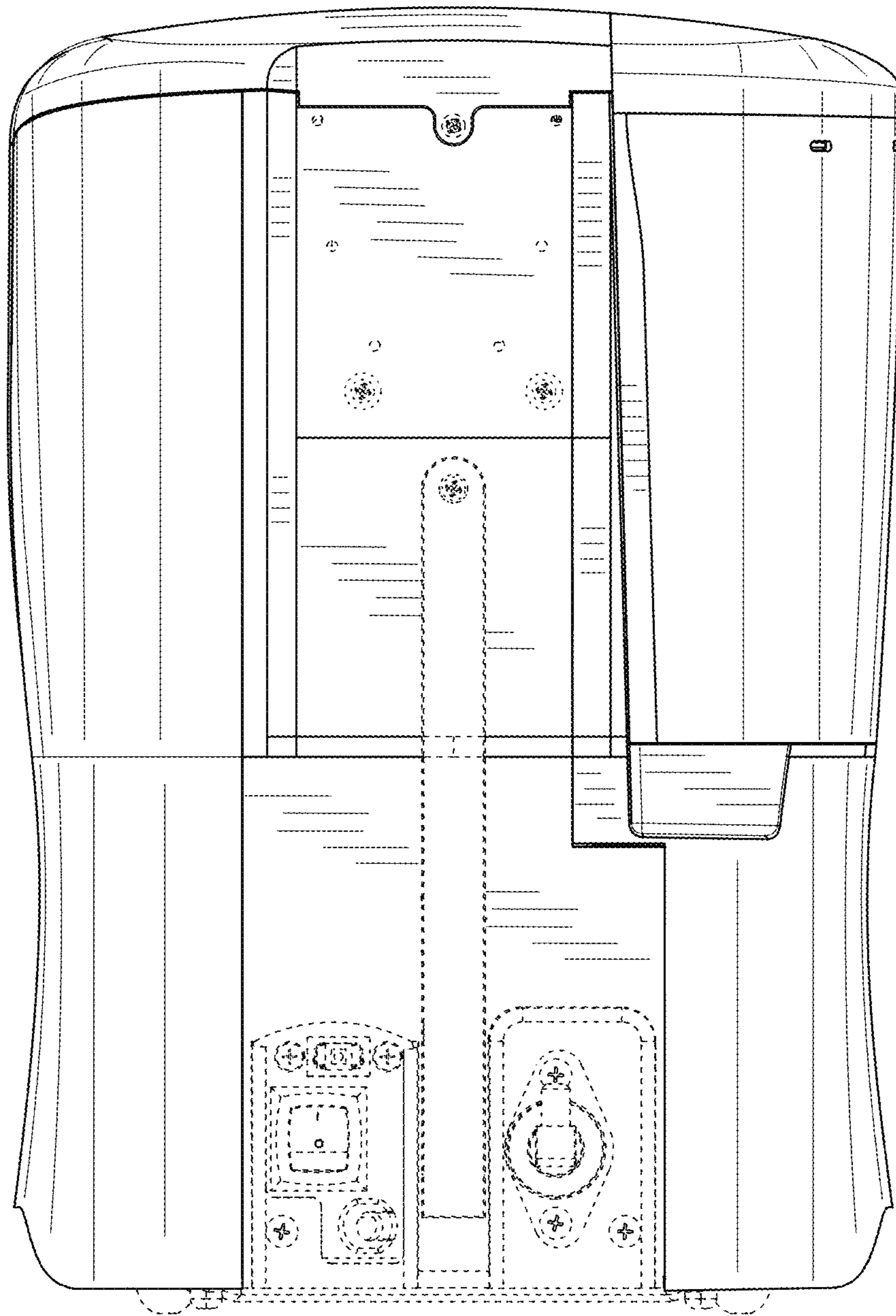
**FIG. 3**



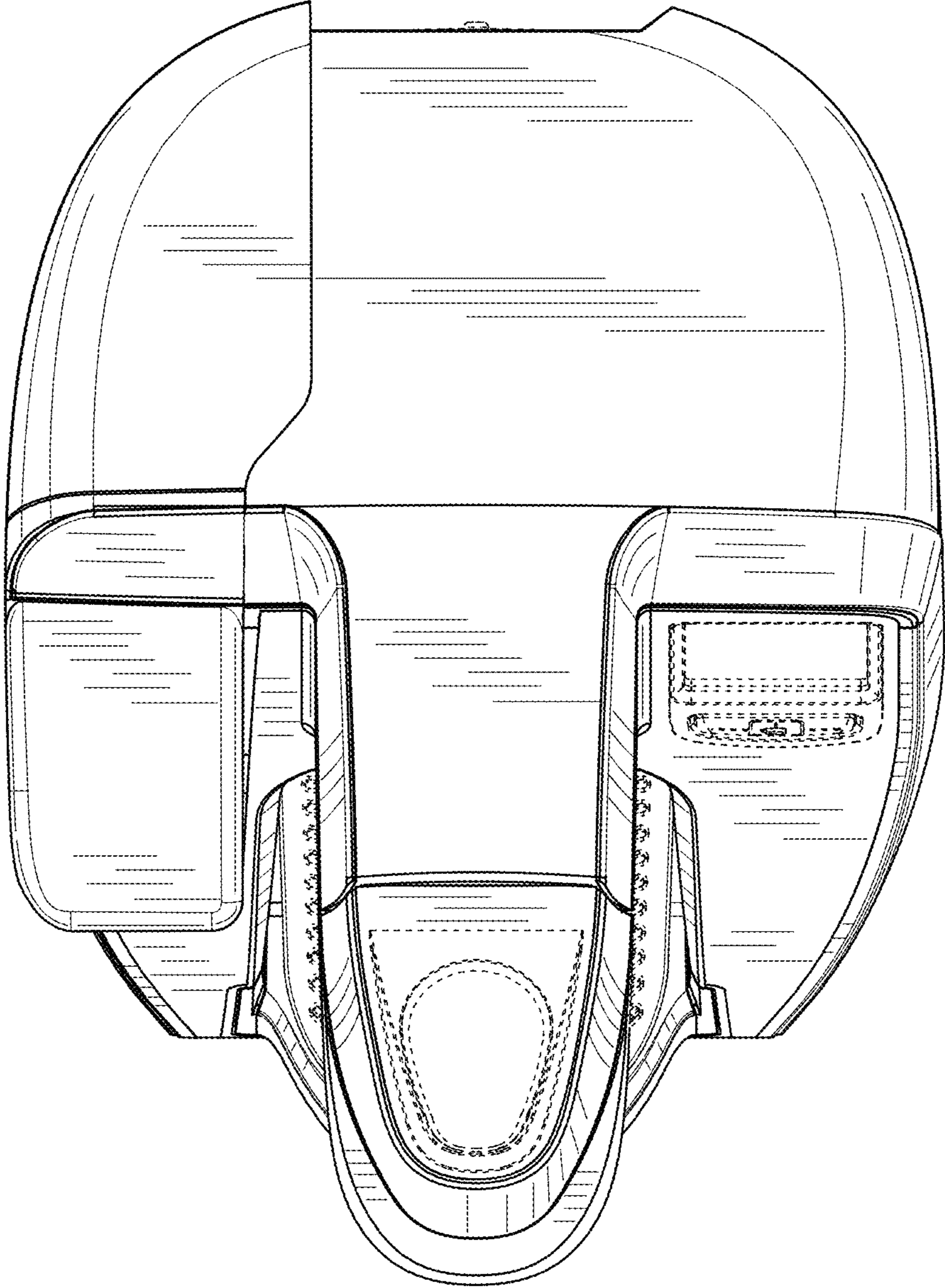
**FIG. 4**



**FIG. 5**

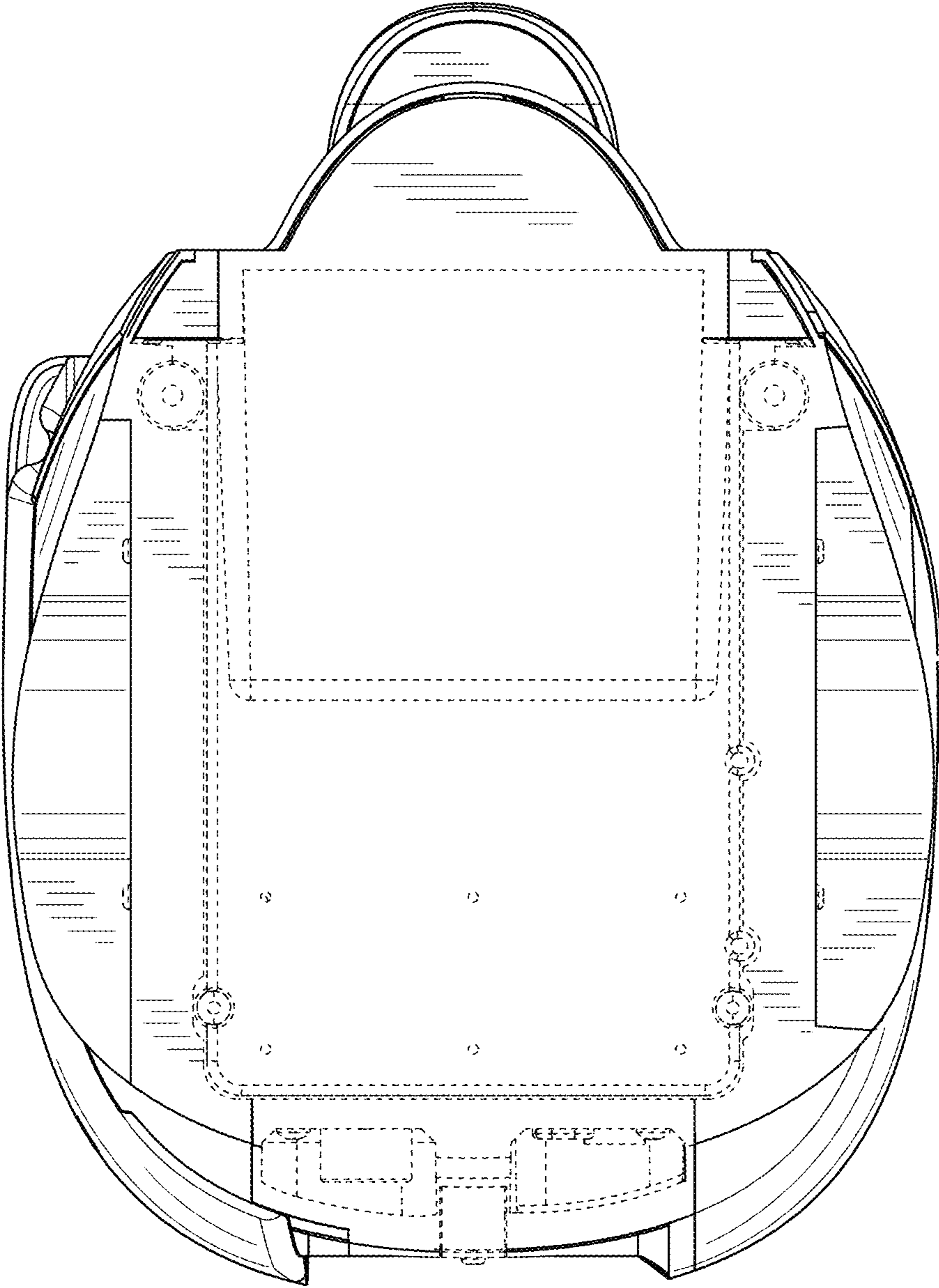


**FIG. 6**

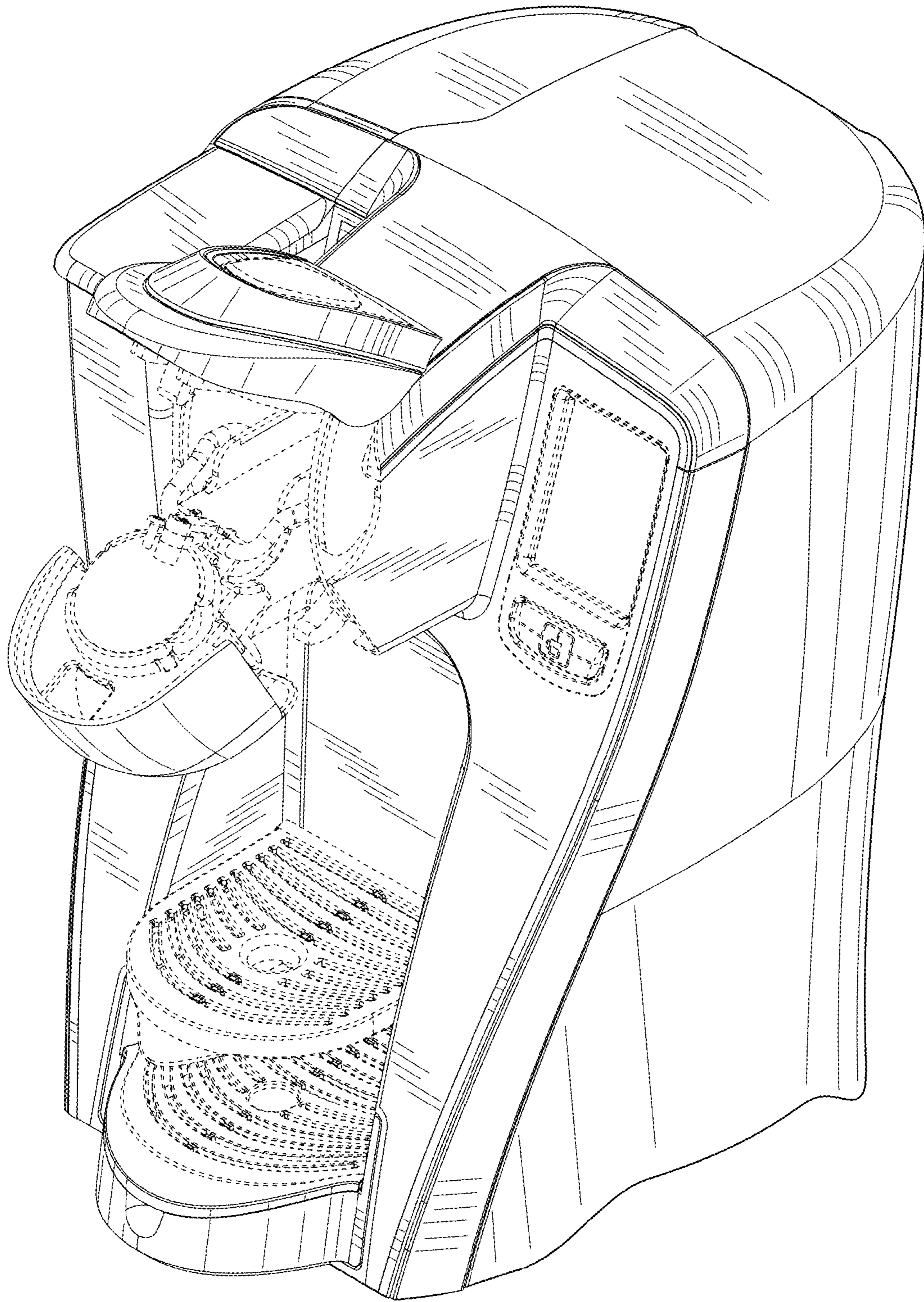


**FIG. 7**





**FIG. 8**



**FIG. 9**