



US00D702983S

(12) **United States Design Patent**
Clark et al.

(10) **Patent No.:** **US D702,983 S**
(45) **Date of Patent:** **** Apr. 22, 2014**

(54) **DECORATIVE CONTAINER FOR WINE
BLADDER**

(71) Applicants: **William C. Clark**, Washington, NC
(US); **Scott Campbell**, Washington, NC
(US)

(72) Inventors: **William C. Clark**, Washington, NC
(US); **Scott Campbell**, Washington, NC
(US)

(**) Term: **14 Years**

(21) Appl. No.: **29/451,448**

(22) Filed: **Apr. 2, 2013**

(51) **LOC (10) Cl.** **07-01**

(52) **U.S. Cl.**
USPC **D7/306**

(58) **Field of Classification Search**
USPC D7/306-308, 311, 313, 301, 300, 305,
D7/304, 309, 310, 397; 220/720, 281, 714;
222/146.6, 146.1, 129.1, 185.1, 608;
D9/636, 638; D25/6; 239/17; 219/438;
D20/5, 4; D23/207; 99/295, 279, 281,
99/289 R, 289, 307; D15/80, 82
See application file for complete search history.

(56) **References Cited**

U.S. PATENT DOCUMENTS

D57,950 S * 5/1921 Travis D7/313
D57,952 S * 5/1921 Travis D7/308
D61,882 S * 2/1923 Travis D7/313
D78,123 S * 3/1929 Philippeau D7/301
D80,781 S * 3/1930 Cordley D7/313
D93,648 S * 10/1934 Coleman D7/308
D99,509 S * 5/1936 Jacobs D7/308
D140,841 S * 4/1945 D'amato D9/646
D163,208 S * 5/1951 Light D7/311
D165,824 S * 2/1952 Collins D7/301
2,831,610 A 4/1958 Dennie
D229,387 S * 11/1973 Gruber D7/308
4,699,342 A 10/1987 Bartz et al.
5,509,583 A * 4/1996 Dolson 222/185.1

D463,194 S * 9/2002 Busick et al. D7/313
6,554,164 B1 4/2003 Jones
D489,930 S * 5/2004 Tse D7/306
7,137,533 B1 11/2006 Heath
7,201,291 B2 4/2007 Vigny et al.

(Continued)

OTHER PUBLICATIONS

Harga Brussels. <http://www.fiduz.be/UK/> Accessed Apr. 4, 2012.

Primary Examiner — Marianne Pandozzi

(74) *Attorney, Agent, or Firm* — Robert C. Montgomery;
Montgomery Patent & Design

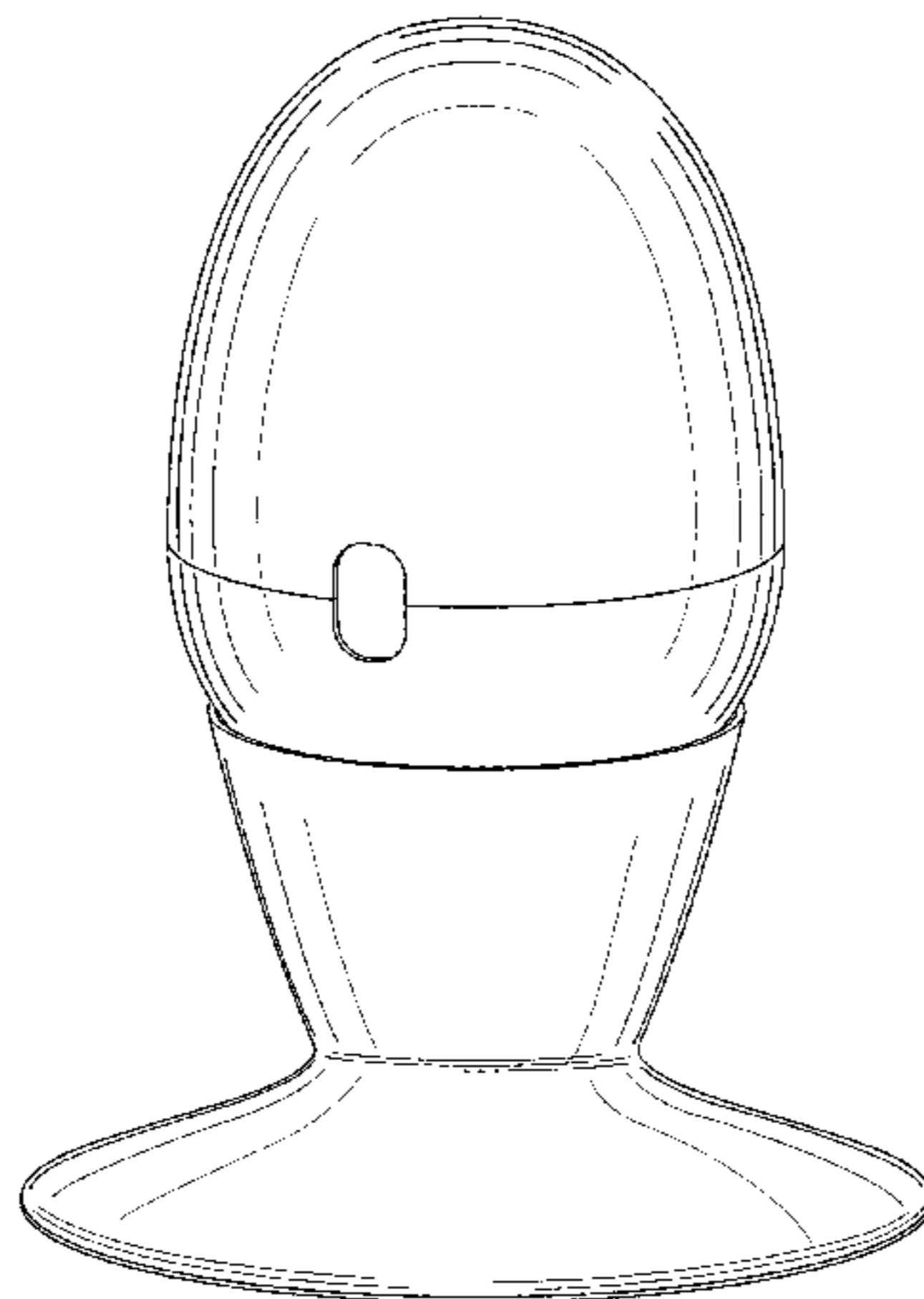
(57) **CLAIM**

The ornamental design for a decorative container for a wine bladder, as shown and described.

DESCRIPTION

FIG. 1 is an isometric view of a decorative container for a wine bladder illustrating a top portion, a bottom portion, and a base;
FIG. 2 is a front view thereof;
FIG. 3 is rear view thereof;
FIG. 4 is a left hand side view thereof, wherein a right hand side view is a mirror image of the left hand side view;
FIG. 5 is a top view thereof;
FIG. 6 is a bottom view thereof;
FIG. 7 is an isometric top view of the decorative container for a wine bladder showing the top portion only, the rest removed for ease of illustration;
FIG. 8 is an isometric bottom view thereof;
FIG. 9 is an isometric top view of the decorative container for a wine bladder showing the bottom portion only, the rest removed for ease of illustration;
FIG. 10 is an isometric bottom view thereof;
FIG. 11 is an isometric top view of the decorative container for a wine bladder showing the base portion only, the rest removed for ease of illustration; and,
FIG. 12 is an isometric bottom view thereof.

1 Claim, 12 Drawing Sheets



(56)

References Cited

U.S. PATENT DOCUMENTS

D543,768 S *	6/2007	Ford	D7/301	8,096,143 B1	1/2012	White et al.	
D543,769 S *	6/2007	Ford	D7/301	D668,497 S *	10/2012	Hixon	D7/301
D591,137 S *	4/2009	Beckley	D8/308	D677,100 S *	3/2013	Amundson	D7/306
D632,519 S *	2/2011	Zimmermann	D7/301	8,397,948 B2 *	3/2013	Mills et al.	222/52
				2003/0006243 A1	1/2003	Looney	
				2007/0284389 A1	12/2007	Jacobs	

* cited by examiner

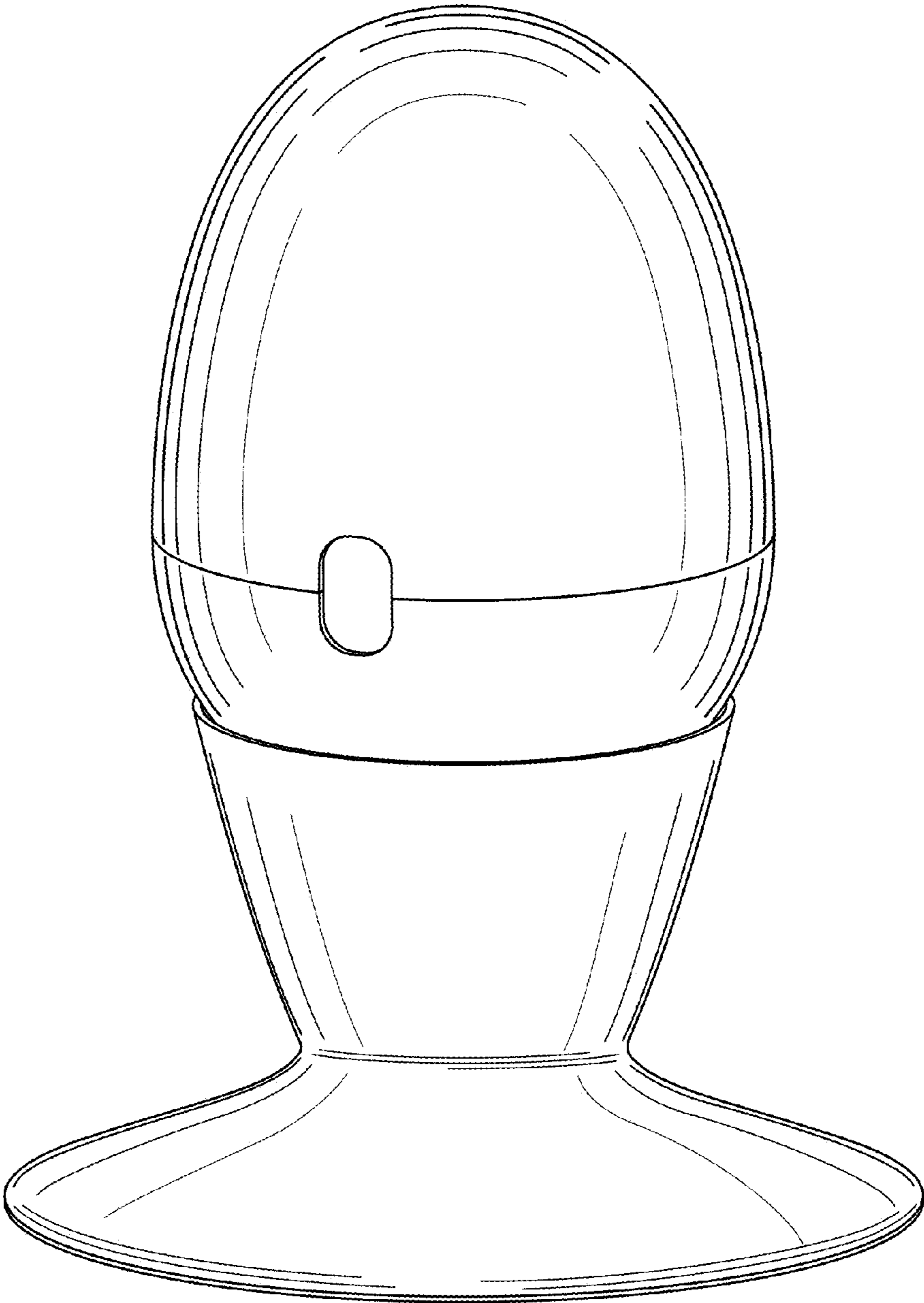


Fig. 1

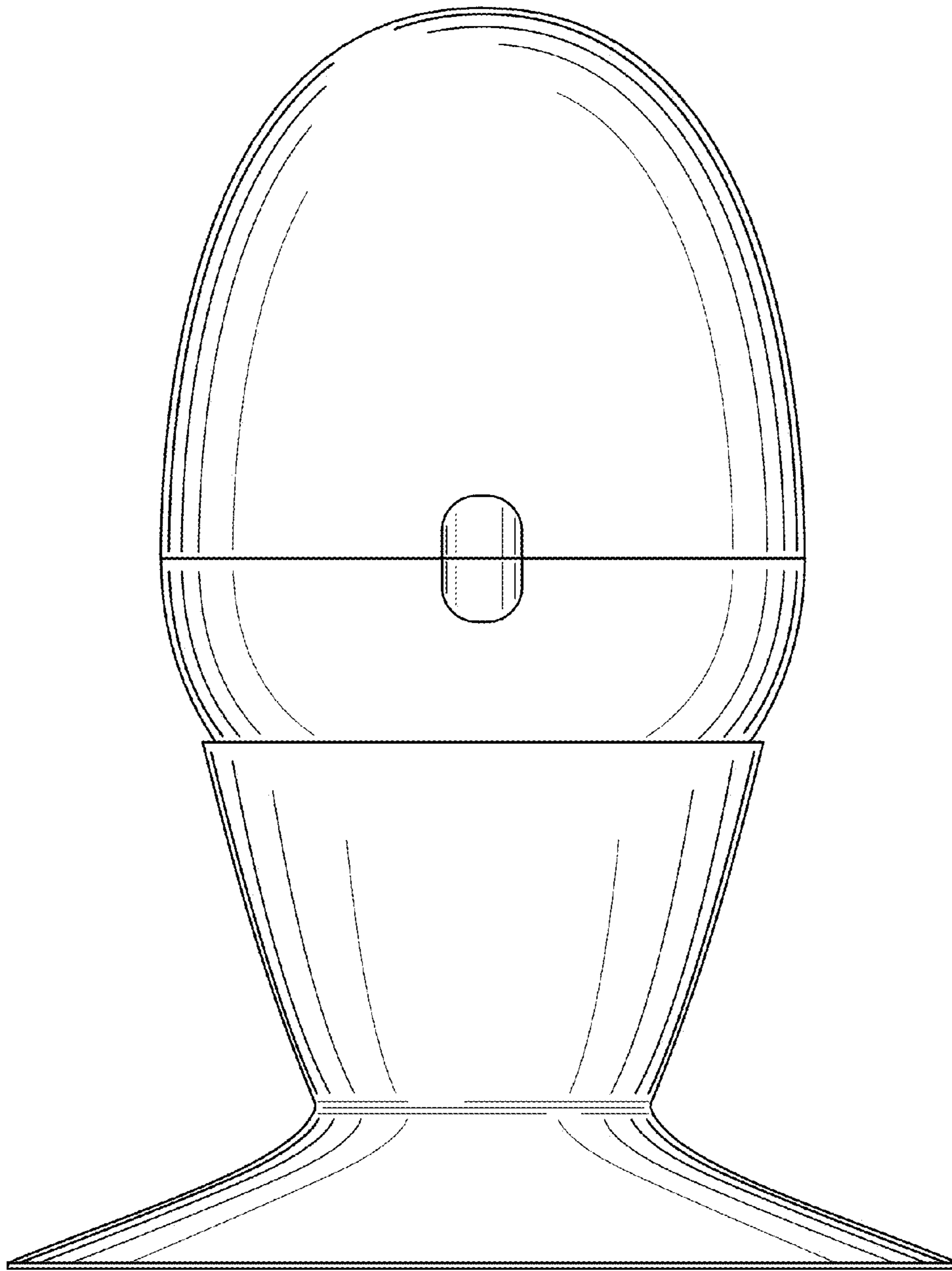


Fig. 2

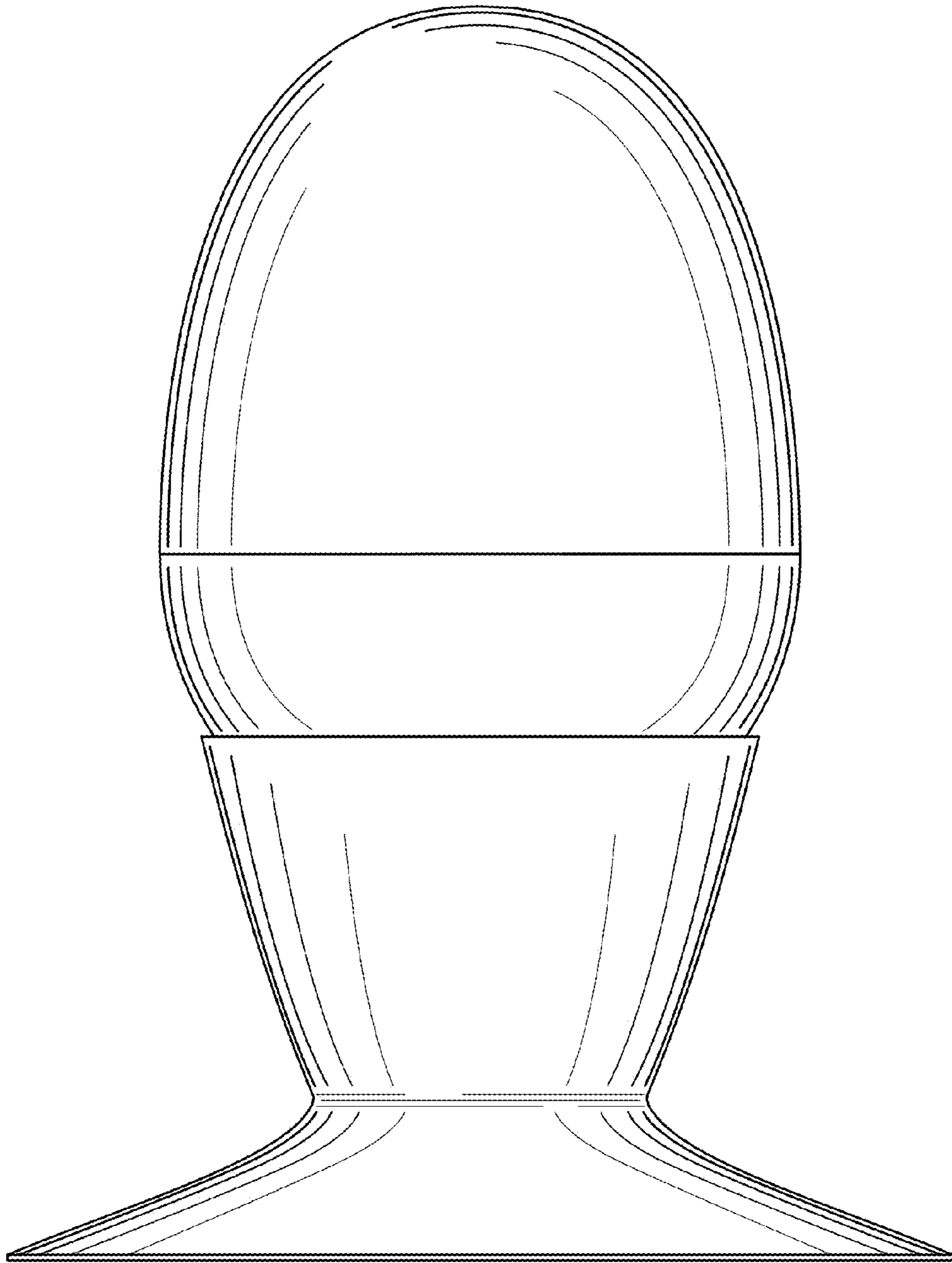


Fig. 3

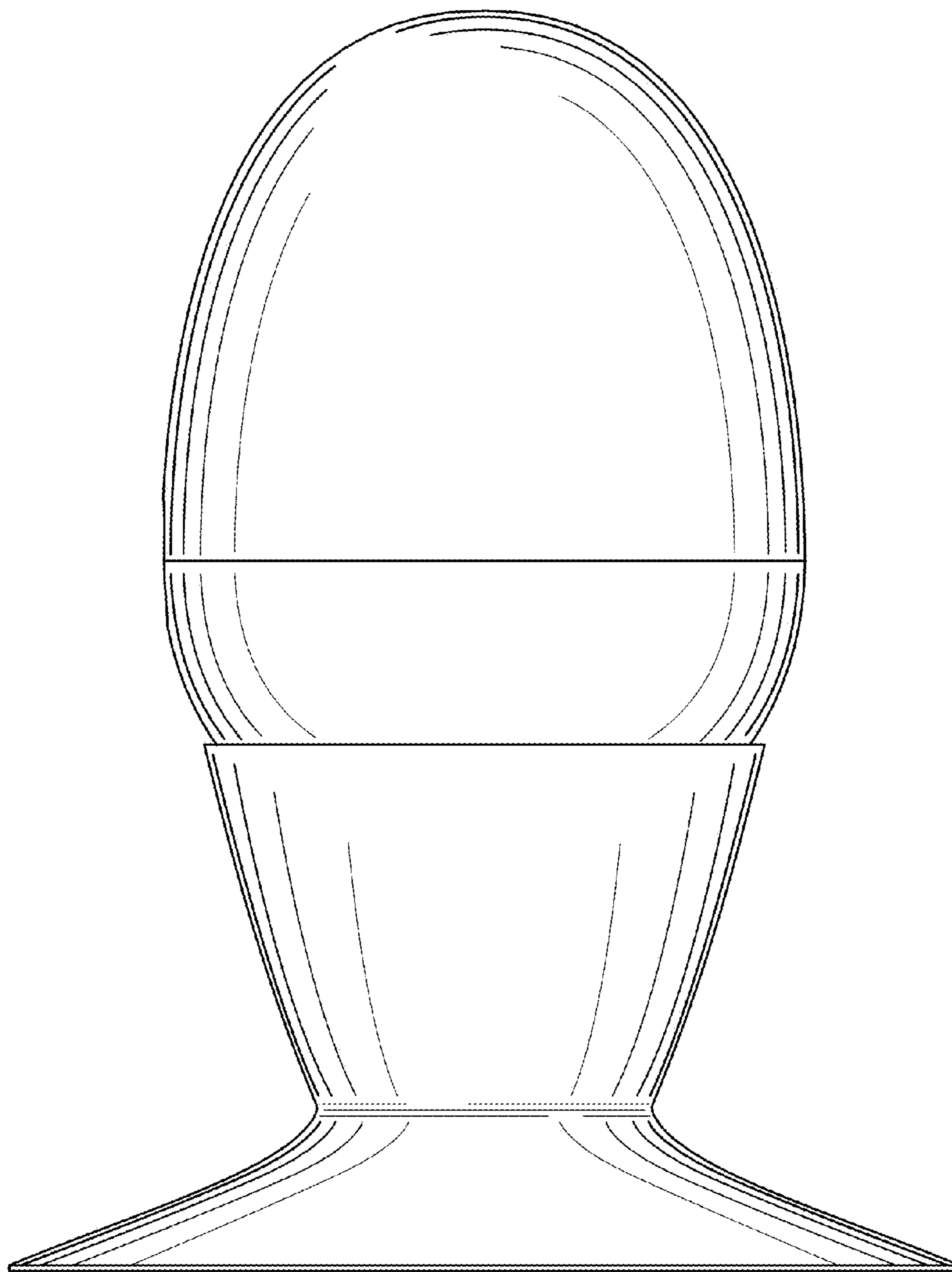


Fig. 4

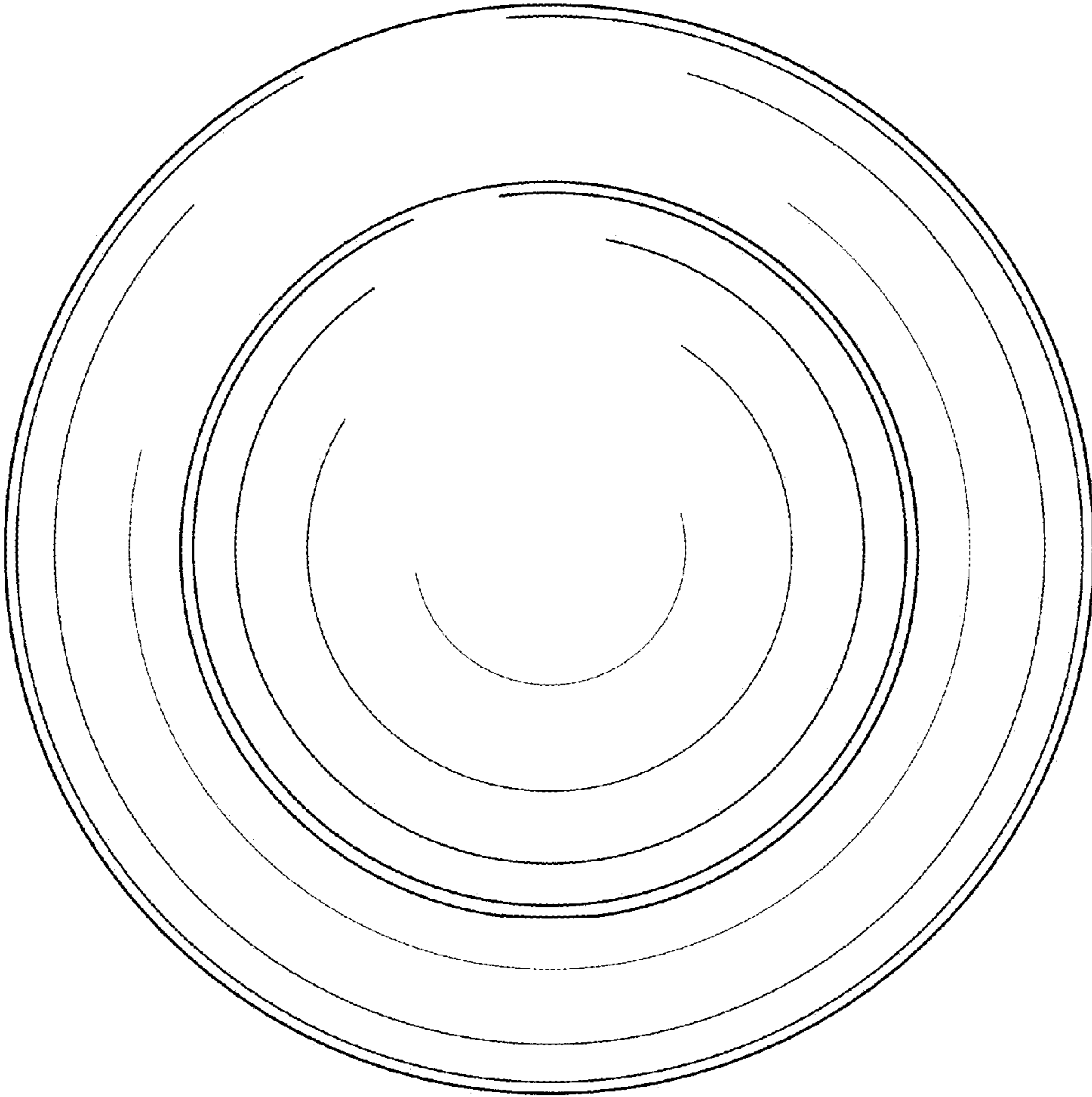


Fig. 5

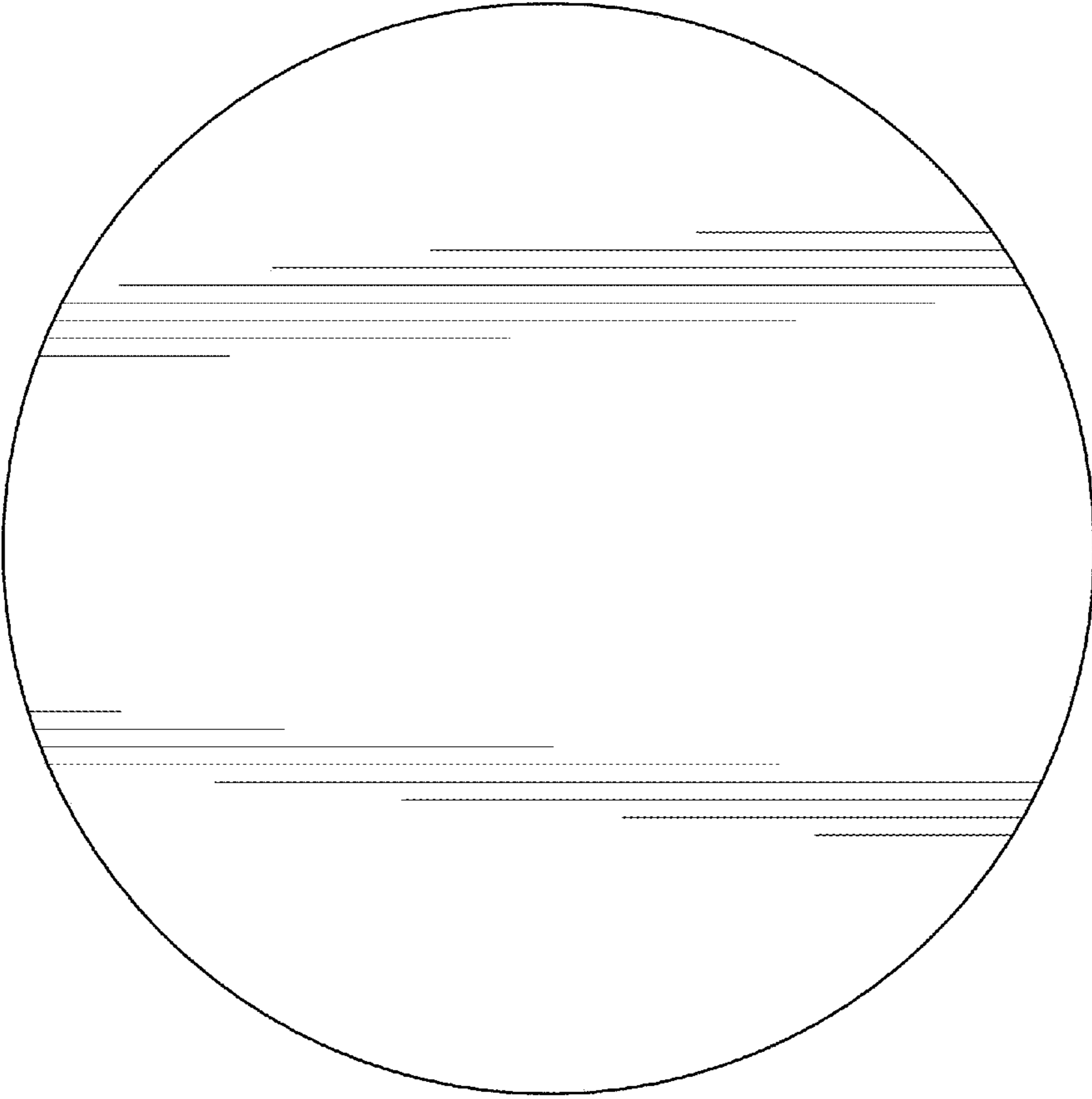


Fig. 6

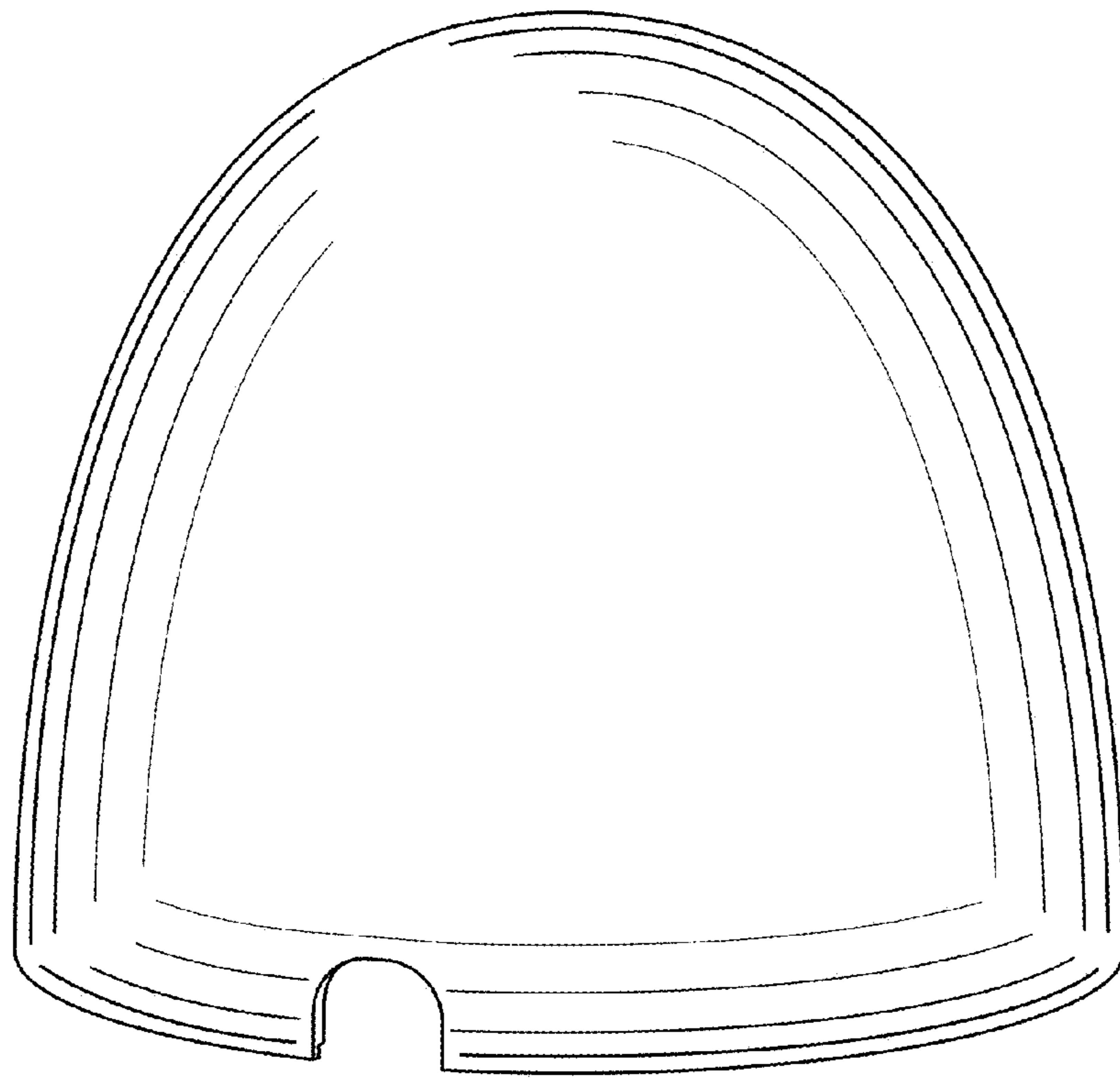


Fig. 7

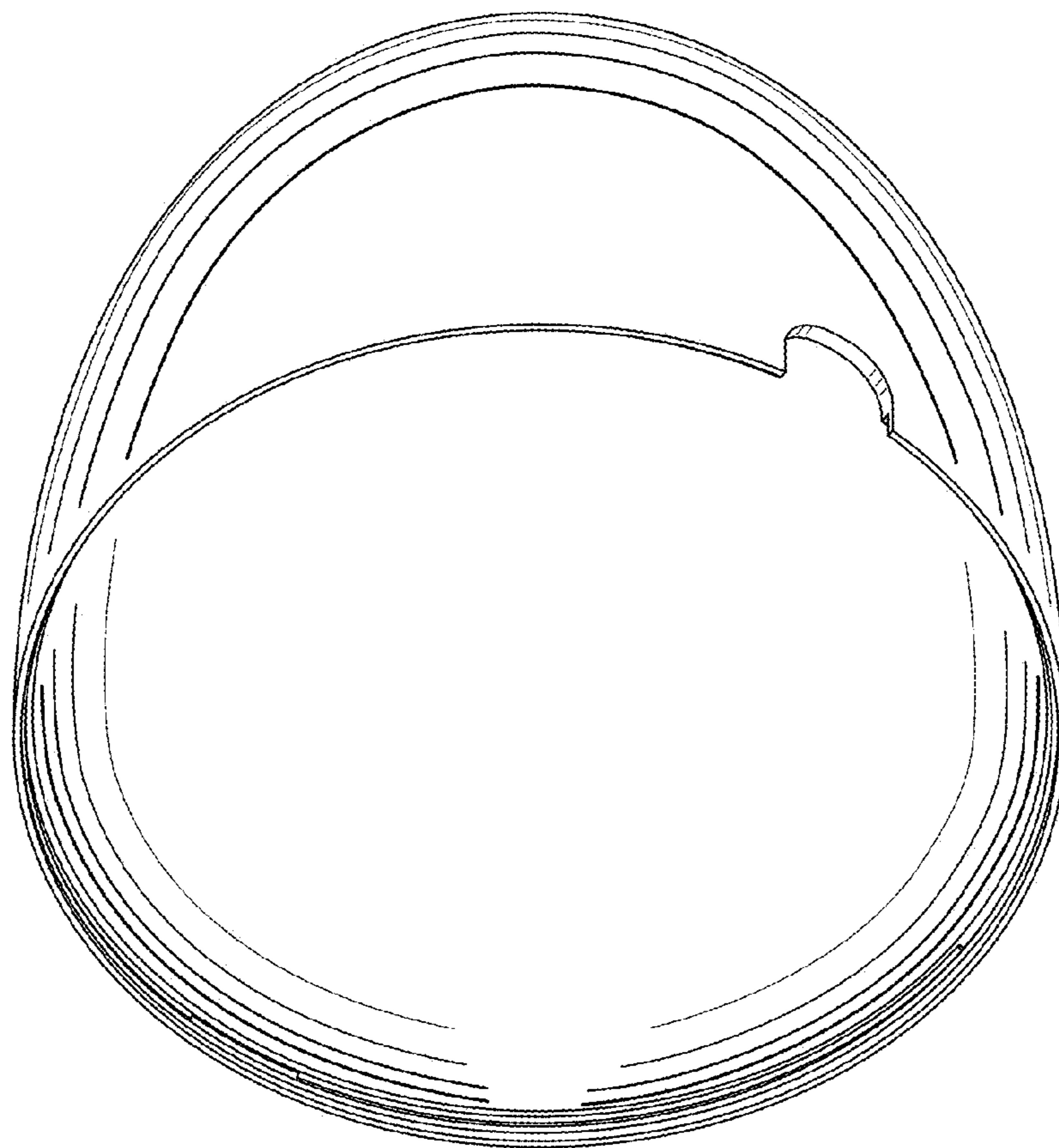


Fig. 8

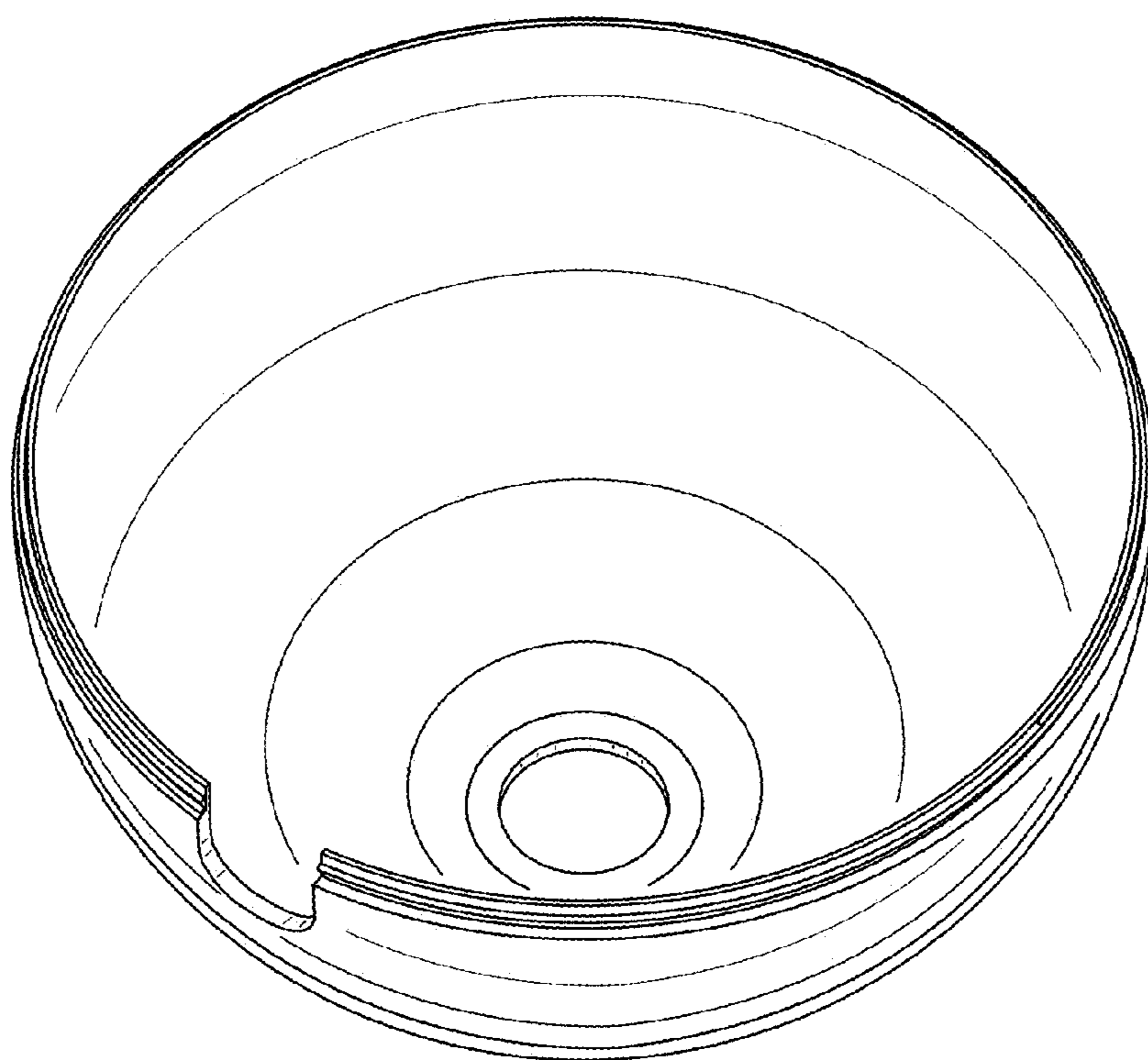


Fig. 9

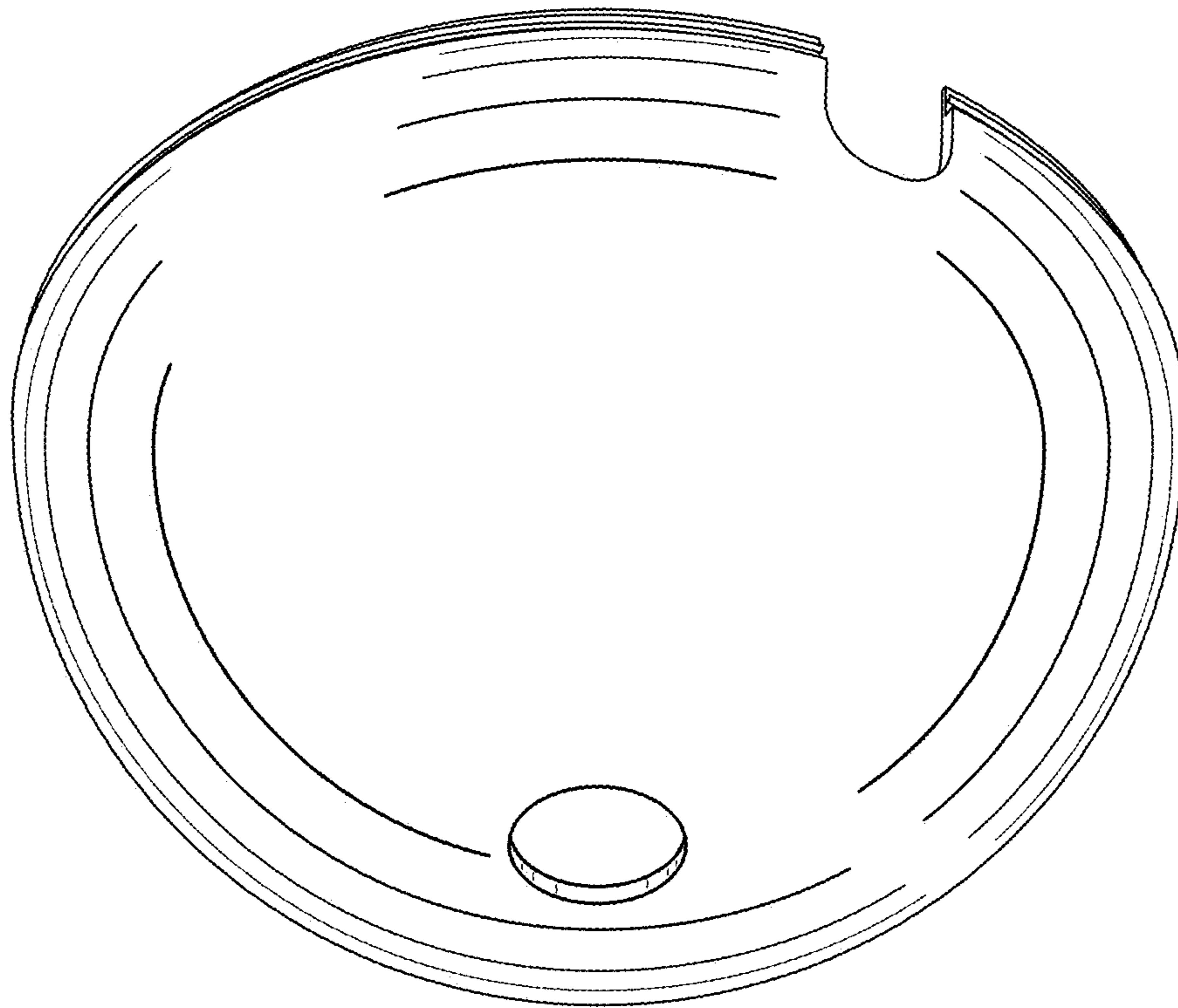


Fig. 10

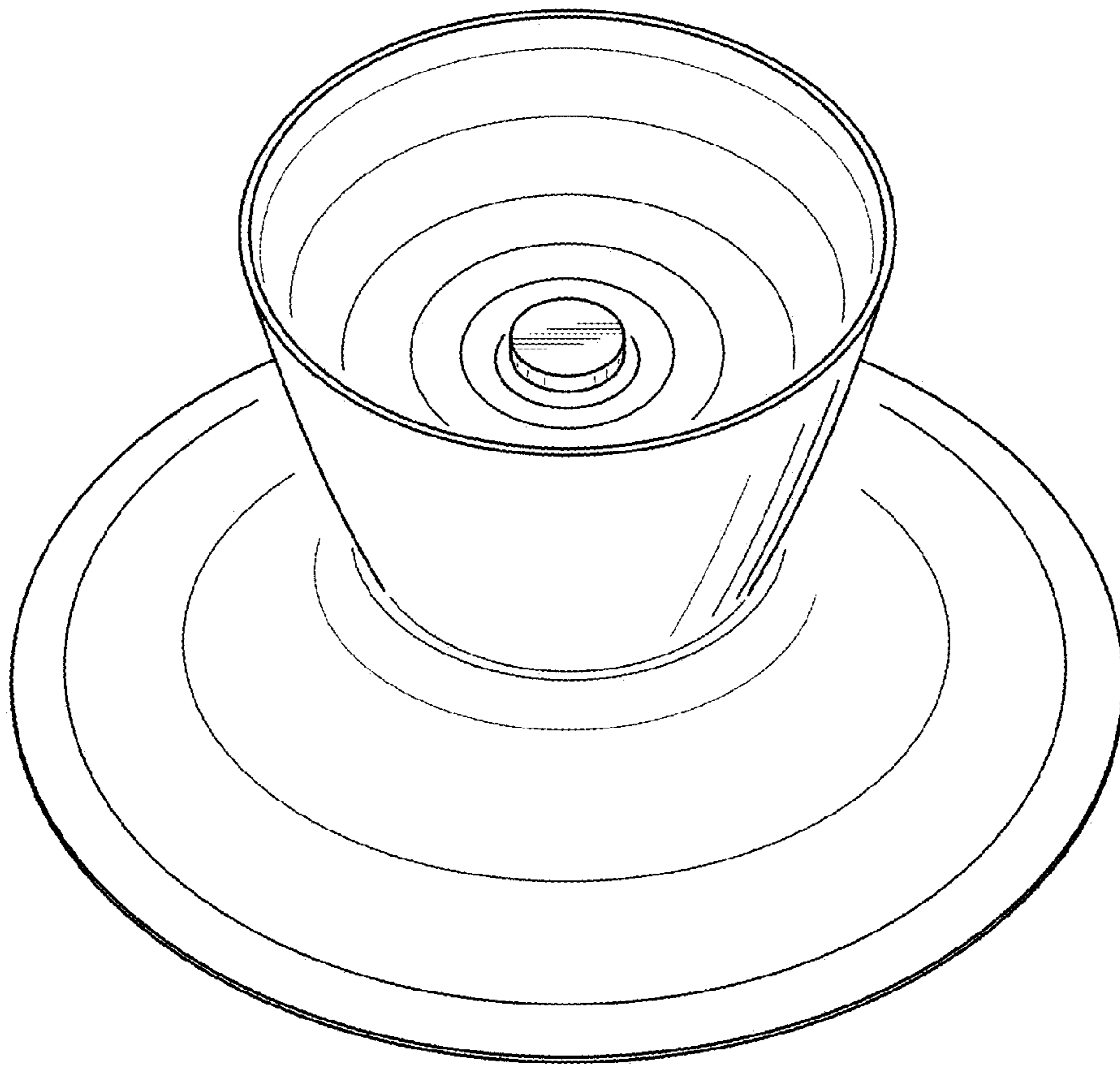


Fig. 11

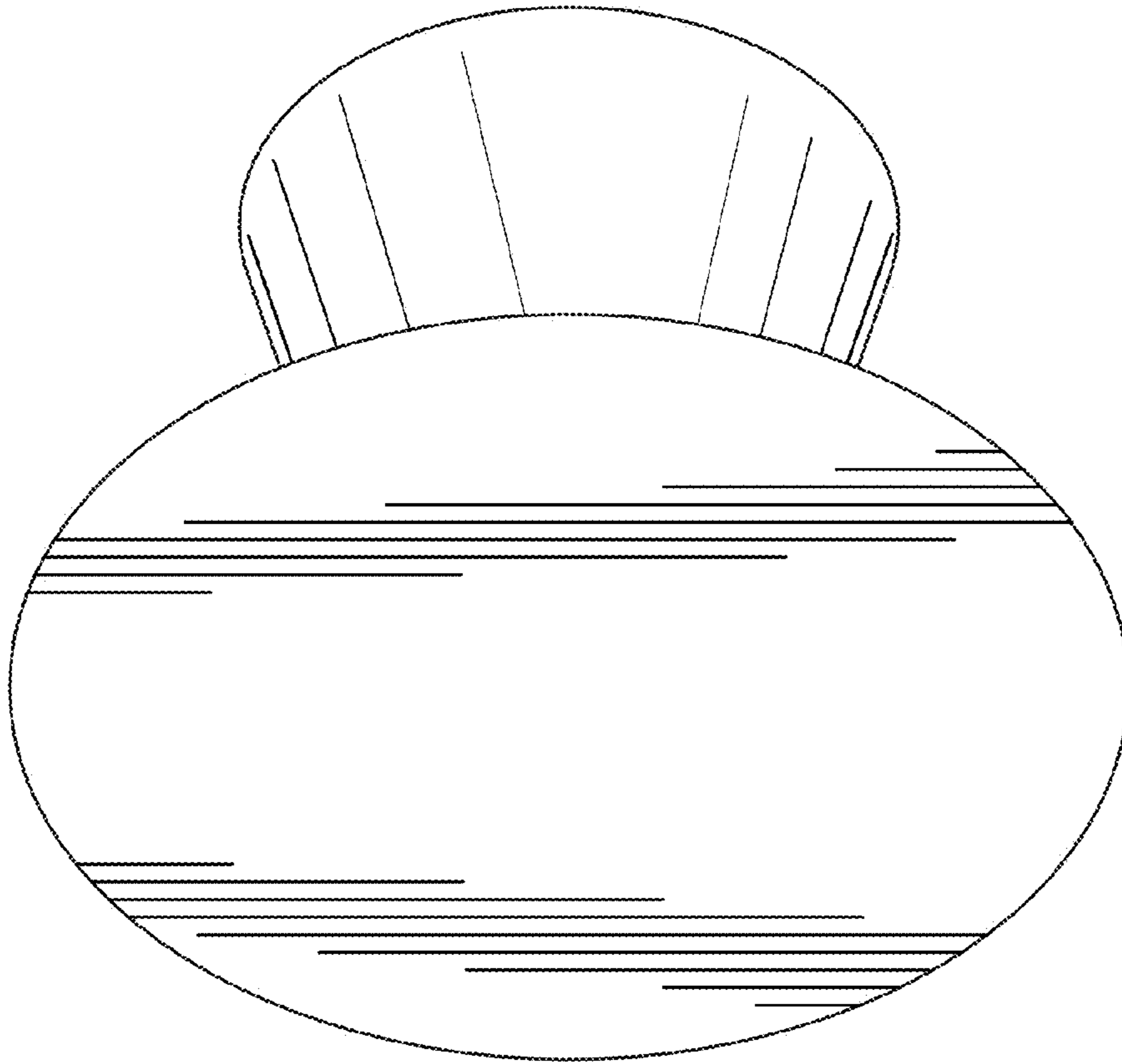


Fig. 12