



US00D702982S

(12) **United States Design Patent**  
**DeMaria**

(10) **Patent No.:** **US D702,982 S**

(45) **Date of Patent:** **\*\* Apr. 22, 2014**

(54) **FOOD DISPENSING TOWER**

(71) Applicant: **Samantha Rose DeMaria**, Hoffman Estates, IL (US)

(72) Inventor: **Samantha Rose DeMaria**, Hoffman Estates, IL (US)

(\*\*) Term: **14 Years**

(21) Appl. No.: **29/449,408**

(22) Filed: **Mar. 15, 2013**

(51) **LOC (10) Cl.** ..... **07-01**

(52) **U.S. Cl.**  
USPC ..... **D7/301; D7/306; D7/304**

(58) **Field of Classification Search**  
USPC ..... **D7/306-308, 311, 313, 301, 300, 305, D7/304; 220/720, 281, 714; 222/146.6, 222/146.1, 129.1; D9/636, 638; D25/6; 239/17; 219/438**

See application file for complete search history.

(56) **References Cited**

**U.S. PATENT DOCUMENTS**

D17,056	S	*	1/1887	Hansel	.....	D9/638
1,322,803	A		11/1919	MacFadden		
1,804,519	A		5/1931	Smith et al.		
1,928,799	A		10/1933	Stevens		
1,939,803	A		12/1933	Cataldi		
1,962,840	A		6/1934	Rives		
D113,465	S		2/1939	Ohrenschall		
D165,471	S		12/1951	Krantos		
D182,725	S		5/1958	Kaufmann		
3,071,326	A		1/1963	Benak		
3,451,622	A		6/1969	Forney		
D215,201	S	*	9/1969	David	.....	D9/641
3,490,694	A		1/1970	Ashby		
D221,650	S		8/1971	Gruber		
3,691,787	A		9/1972	Kaufmann		

(Continued)

**OTHER PUBLICATIONS**

U.S. Appl. No. 61/787,040, filed Mar. 15, 2013; inventor Samantha Rose DeMaria; title: Food Dispensing Apparatus.

“Sephra Chocolate Fountain User’s Guide” (20 pages) (the year of publication is sufficiently earlier than the effective U.S. filing date).

(Continued)

*Primary Examiner* — Marianne Pandozzi

(74) *Attorney, Agent, or Firm* — Pauley Petersen & Erickson

(57) **CLAIM**

The ornamental design for a food dispensing tower, as shown and described.

**DESCRIPTION**

FIG. 1 is a perspective view of a food dispensing tower, according to one embodiment of this invention;

FIG. 2 is an exploded perspective view of the food dispensing tower, as shown in FIG. 1;

FIG. 3 is an exploded top plan view of the food dispensing tower;

FIG. 4 is a side view of the food dispensing tower, as shown in FIG. 1;

FIG. 5 is an oblique side view of the food dispensing tower, as shown in FIG. 1;

FIG. 6 is an enlarged perspective of the base portion of the food dispensing tower with the rest of the food dispensing tower removed for ease of illustration;

FIG. 7 is an enlarged perspective of the bottom tier portion of the food dispensing tower with the rest of the food dispensing tower removed for ease of illustration;

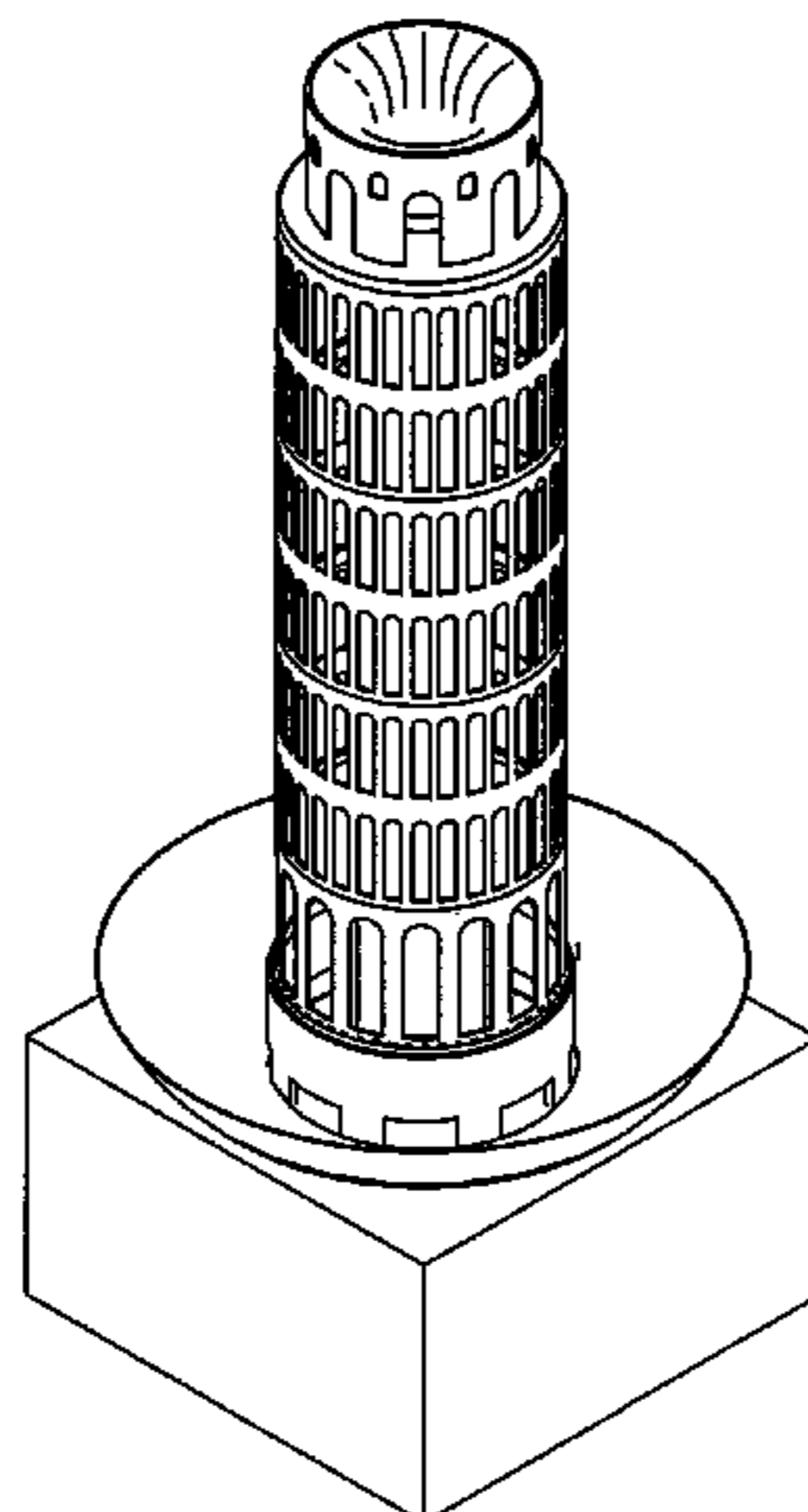
FIG. 8 is an enlarged perspective of the intermediate tier portion of the food dispensing tower with the rest of the food dispensing tower removed for ease of illustration;

FIG. 9 is an enlarged perspective of the top tier portion of the food dispensing tower with the rest of the food dispensing tower removed for ease of illustration;

FIG. 10 is an enlarged perspective of the an auger portion of the food dispensing tower with the rest of the food dispensing tower removed for ease of illustration; and,

FIG. 11 is an enlarged perspective of the center tube portion of the food dispensing tower with the rest of the food dispensing tower removed for ease of illustration.

**1 Claim, 10 Drawing Sheets**



(56)

References Cited

U.S. PATENT DOCUMENTS

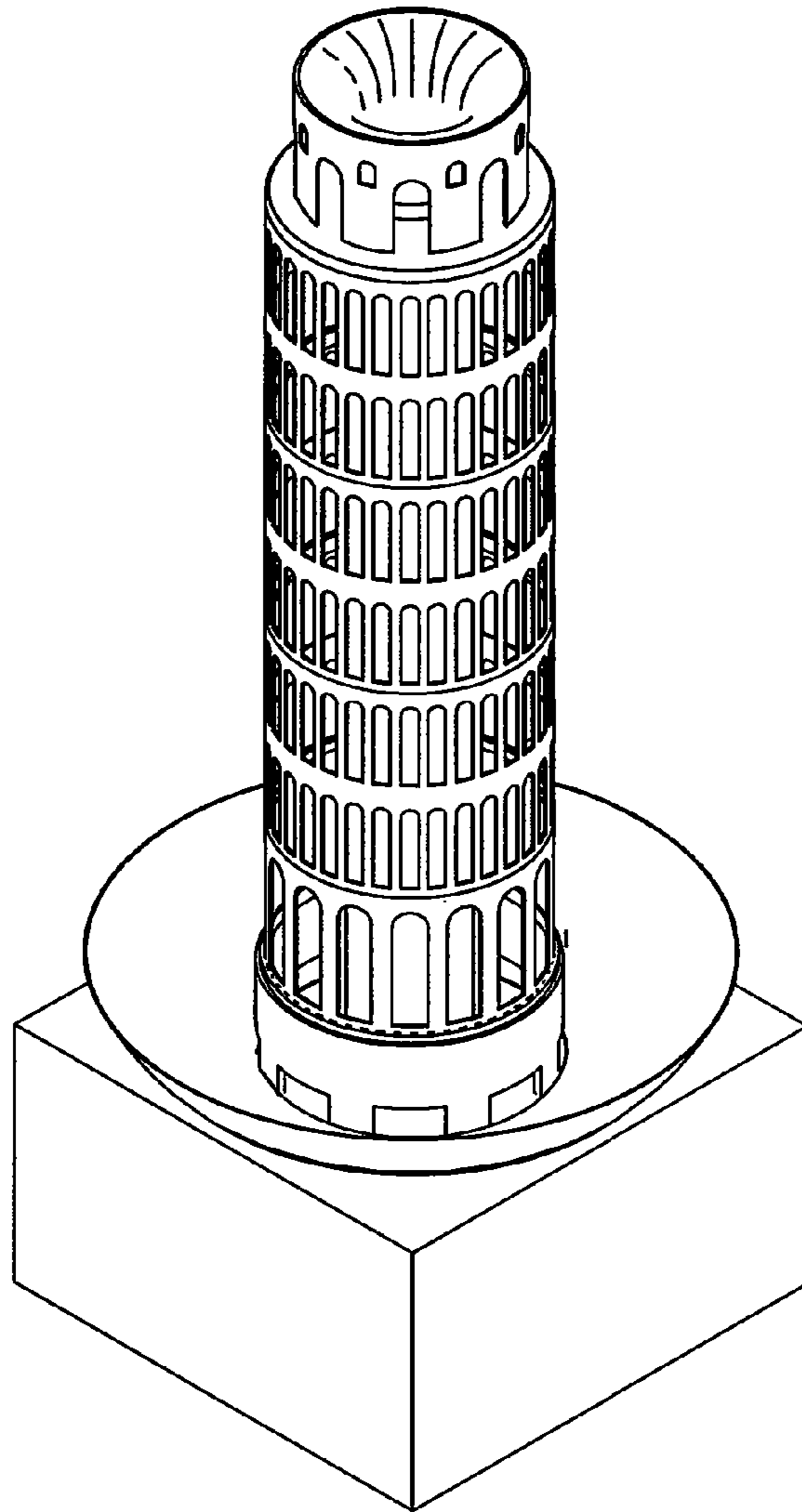
3,713,583 A 1/1973 Gruber  
 3,749,311 A 7/1973 Hruby, Jr.  
 3,841,023 A 10/1974 Carlyon, Jr.  
 3,921,902 A 11/1975 Erickson et al.  
 4,006,559 A 2/1977 Carlyon, Jr.  
 D255,199 S 6/1980 Gruber  
 4,574,593 A 3/1986 Nelson  
 4,630,771 A 12/1986 Hall  
 D311,299 S \* 10/1990 Start ..... D7/397  
 D311,841 S \* 11/1990 Start ..... D7/397  
 5,326,032 A 7/1994 Quillin  
 5,794,820 A 8/1998 Shabbits et al.  
 D423,862 S \* 5/2000 Mravlja et al. .... D7/306  
 D431,145 S \* 9/2000 Woebcke et al. .... D7/306  
 6,695,222 B1 2/2004 Lin  
 7,021,556 B2 4/2006 Muir et al.  
 D523,278 S 6/2006 Tse

D528,844 S 9/2006 Bond  
 7,118,045 B2 10/2006 Muir et al.  
 D533,388 S \* 12/2006 Cahen ..... D7/306  
 D546,110 S \* 7/2007 Stein ..... D7/301  
 D560,413 S \* 1/2008 Stein ..... D7/301  
 7,367,263 B2 5/2008 Jaffe  
 7,378,619 B2 5/2008 Rogers  
 7,896,037 B2 \* 3/2011 Alsberg et al. .... 141/98  
 8,500,037 B2 \* 8/2013 Li et al. .... 239/17  
 D689,140 S \* 9/2013 Lo et al. .... D21/451  
 2001/0038020 A1 11/2001 Schalow et al.  
 2004/0069860 A1 4/2004 Nary  
 2006/0081720 A1 4/2006 Esnault  
 2007/0007273 A1 1/2007 Esnault

OTHER PUBLICATIONS

“Sephra—Chocolate Fountain Operating Manual” (Jun. 2008) (29 pages).

\* cited by examiner



*Fig. 1*

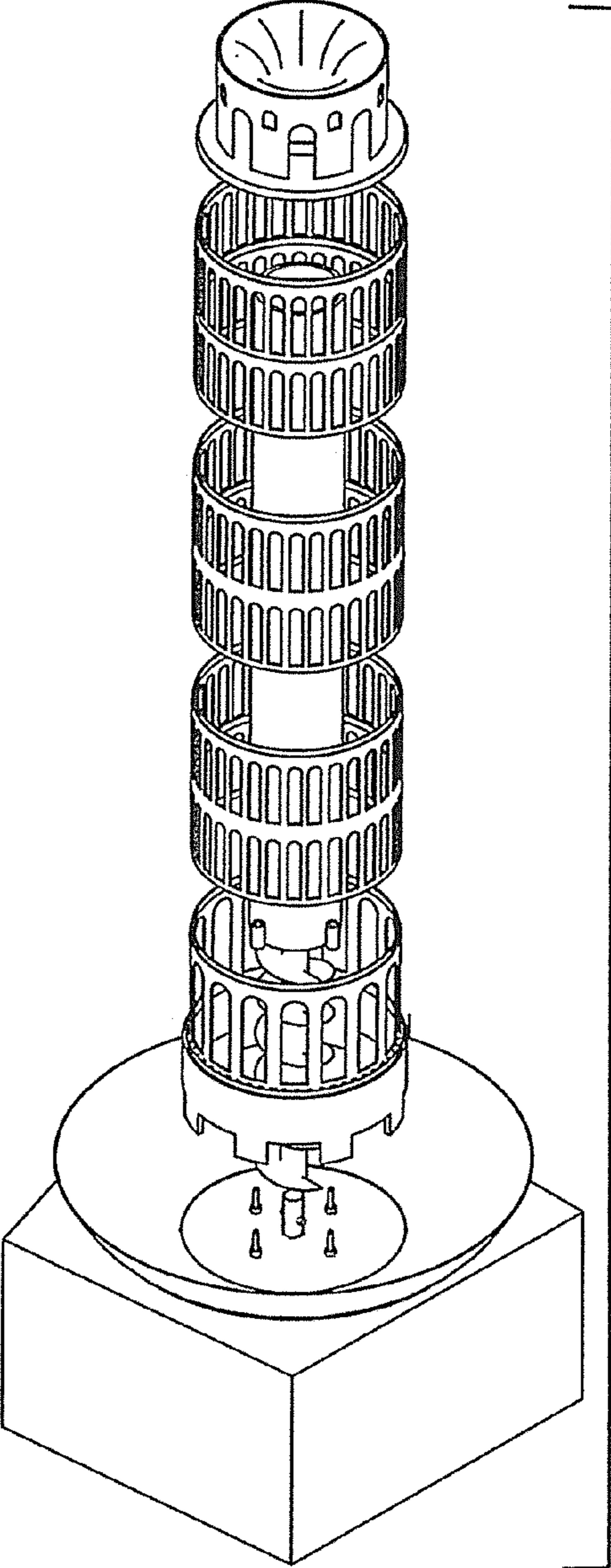
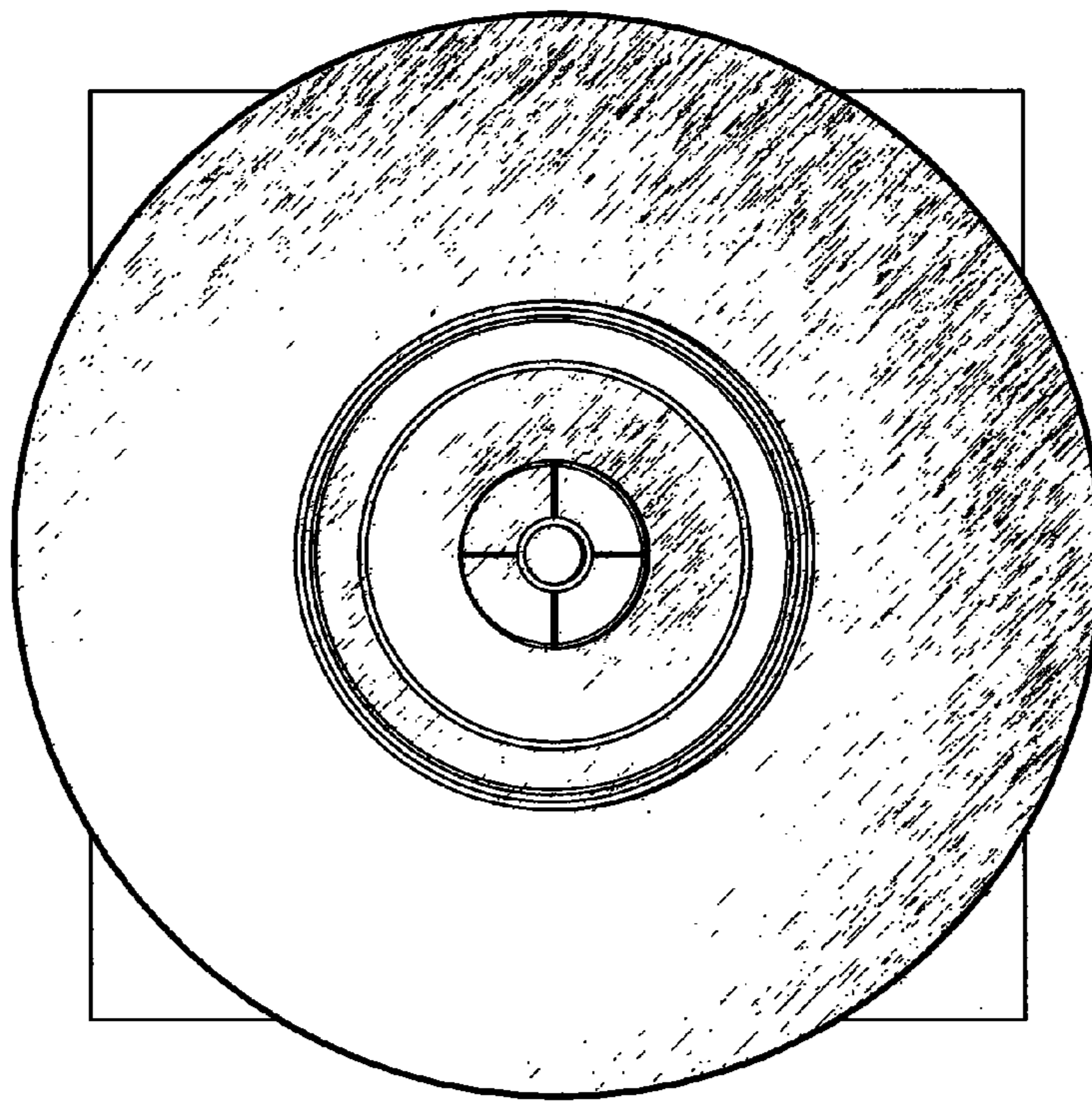


Fig.2



*Fig.3*

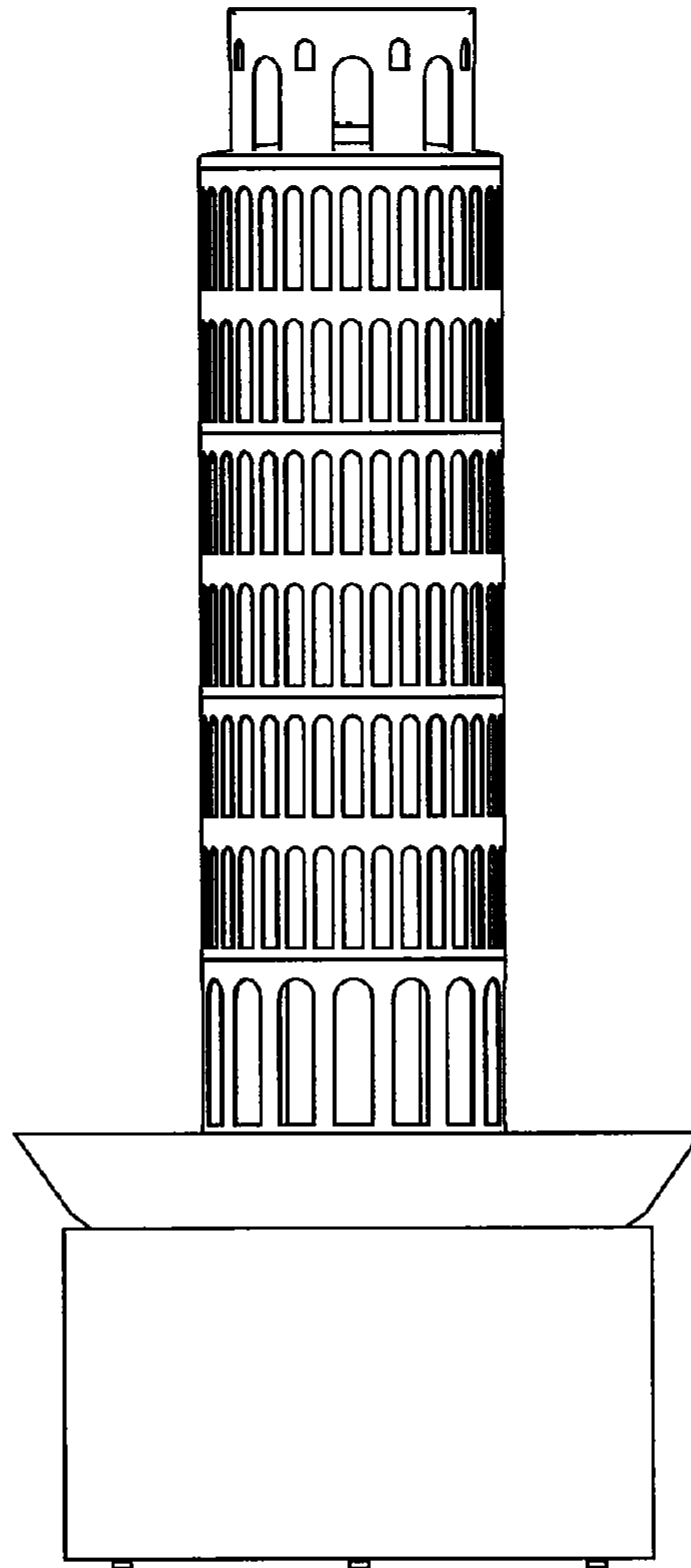
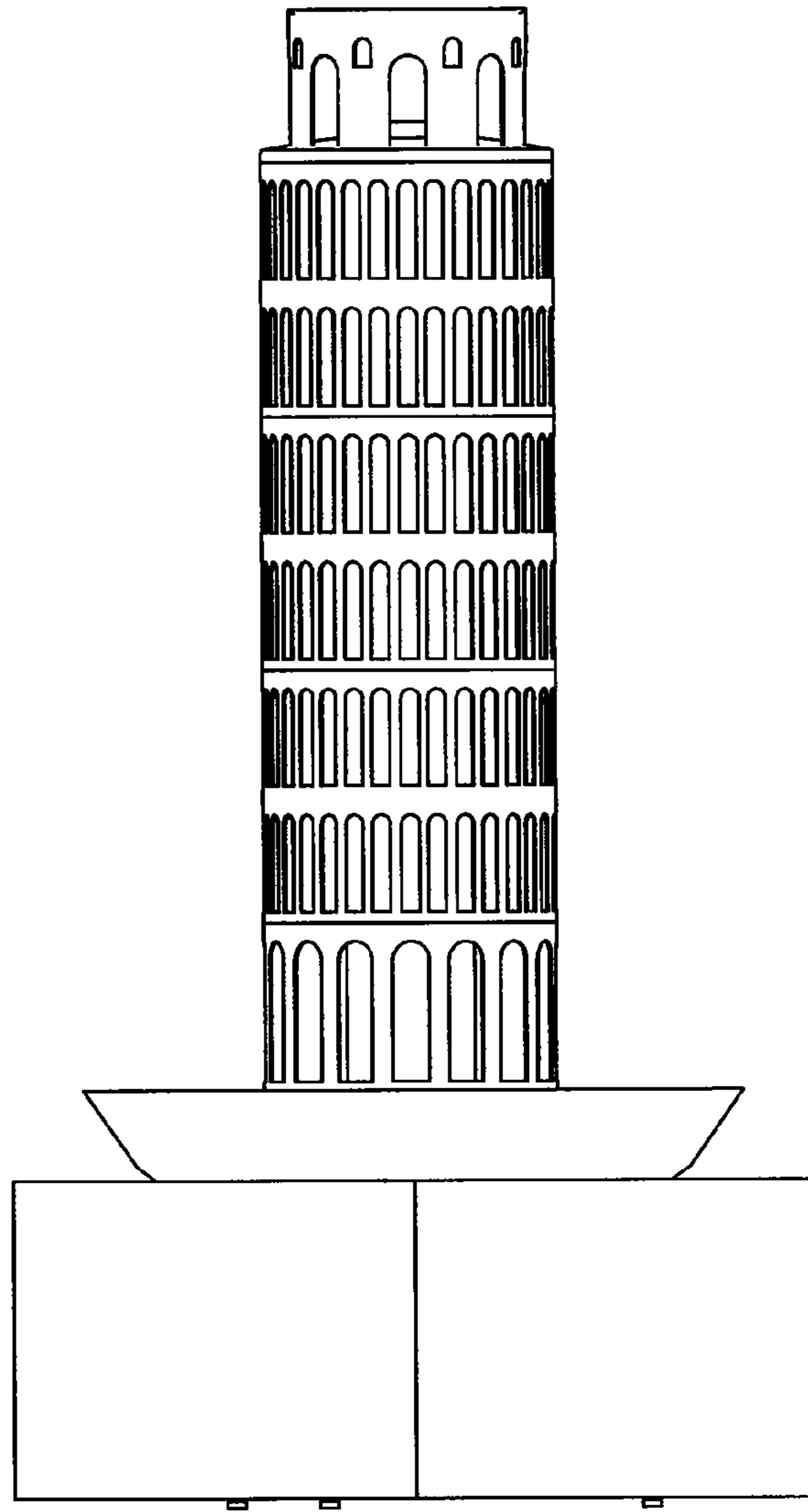
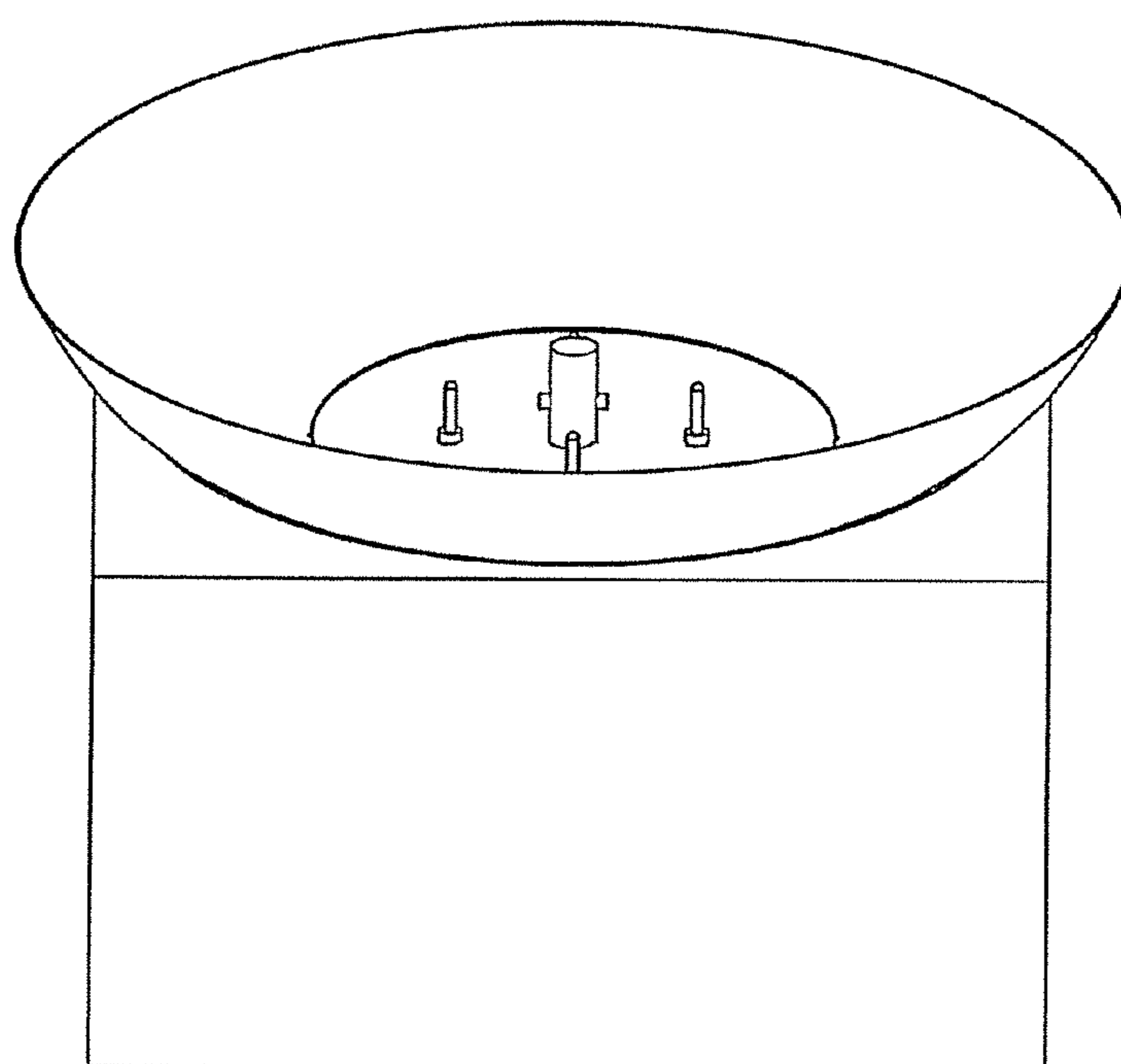


Fig.4



*Fig. 5*



*Fig.6*



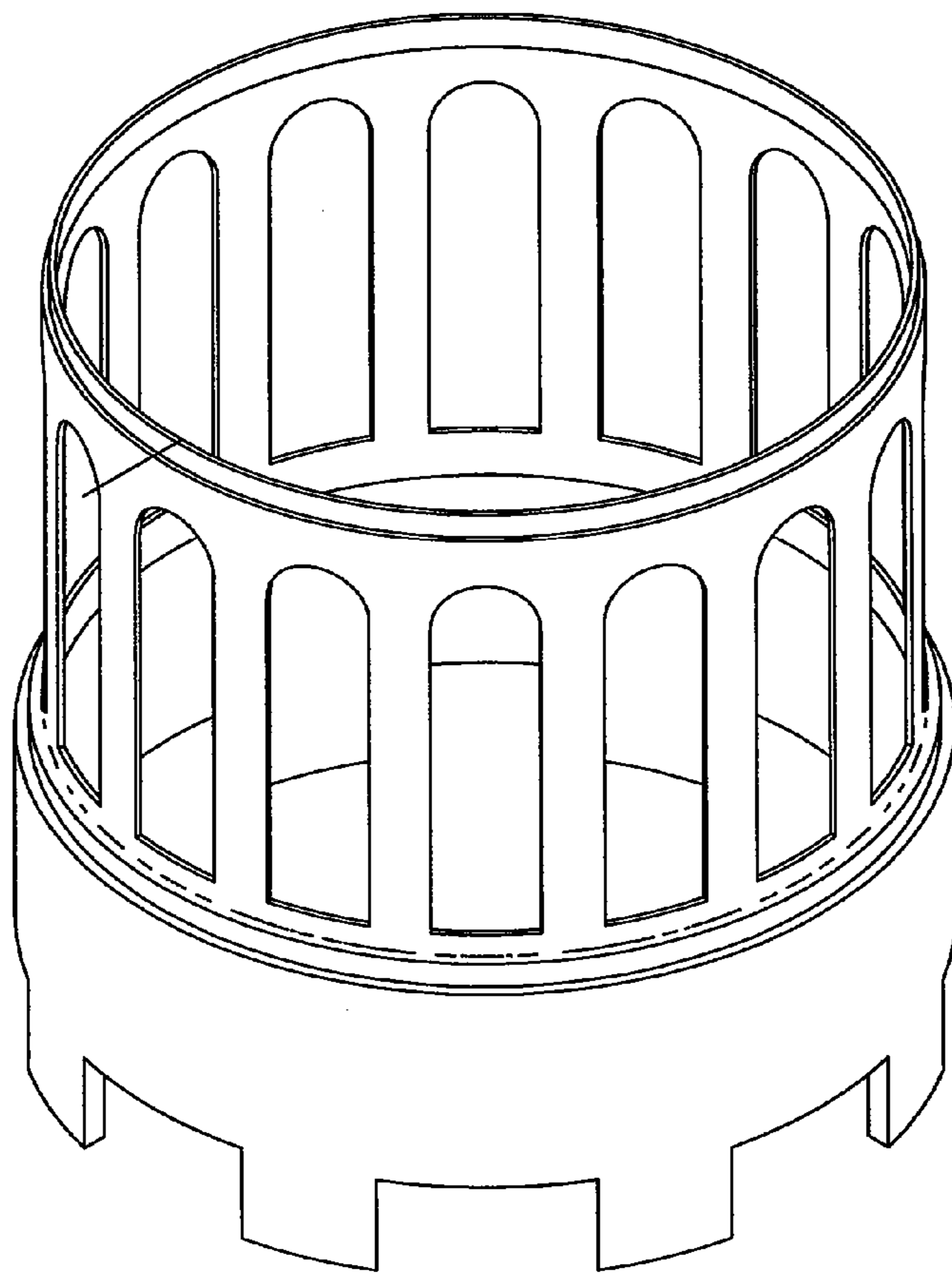
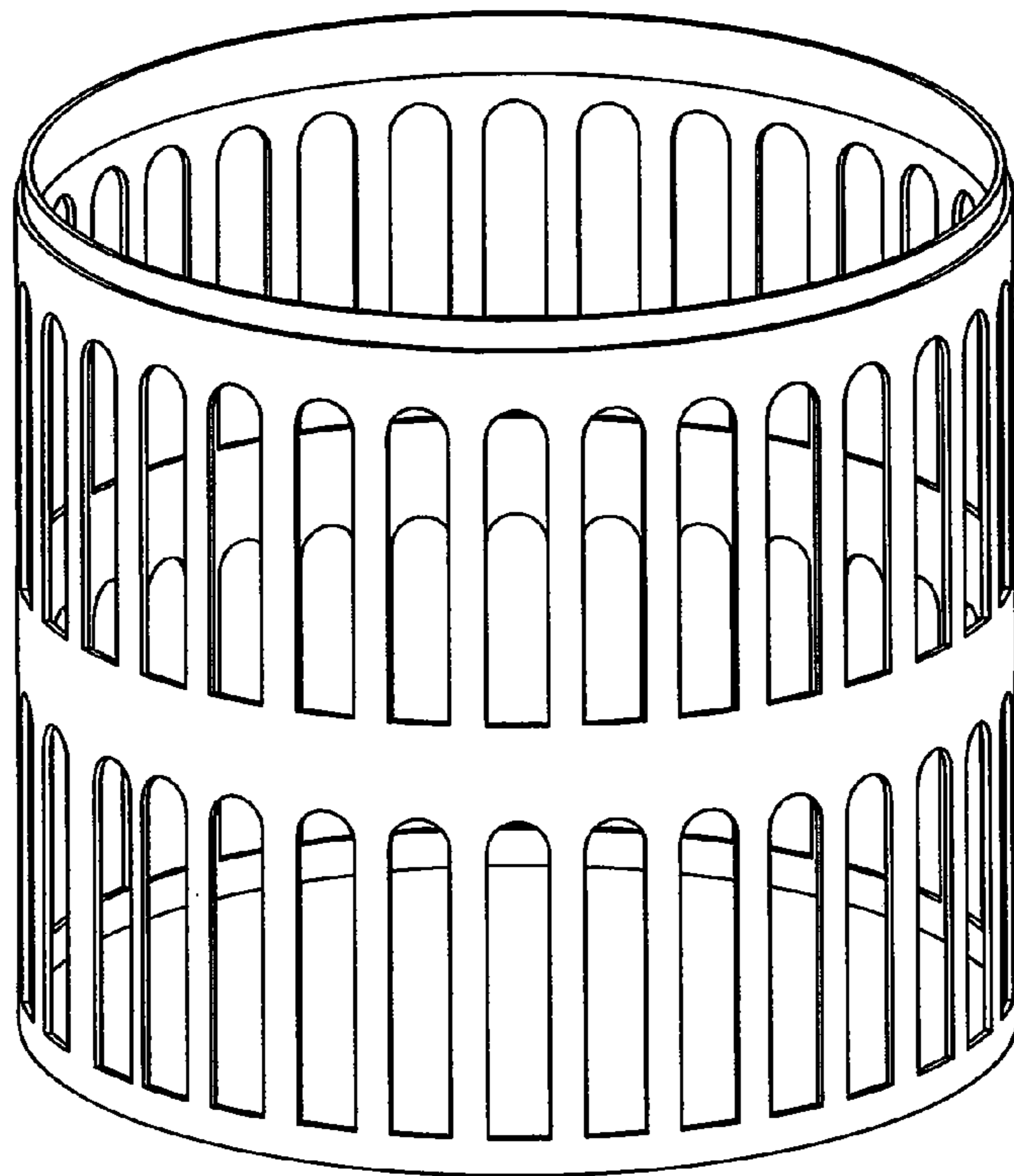
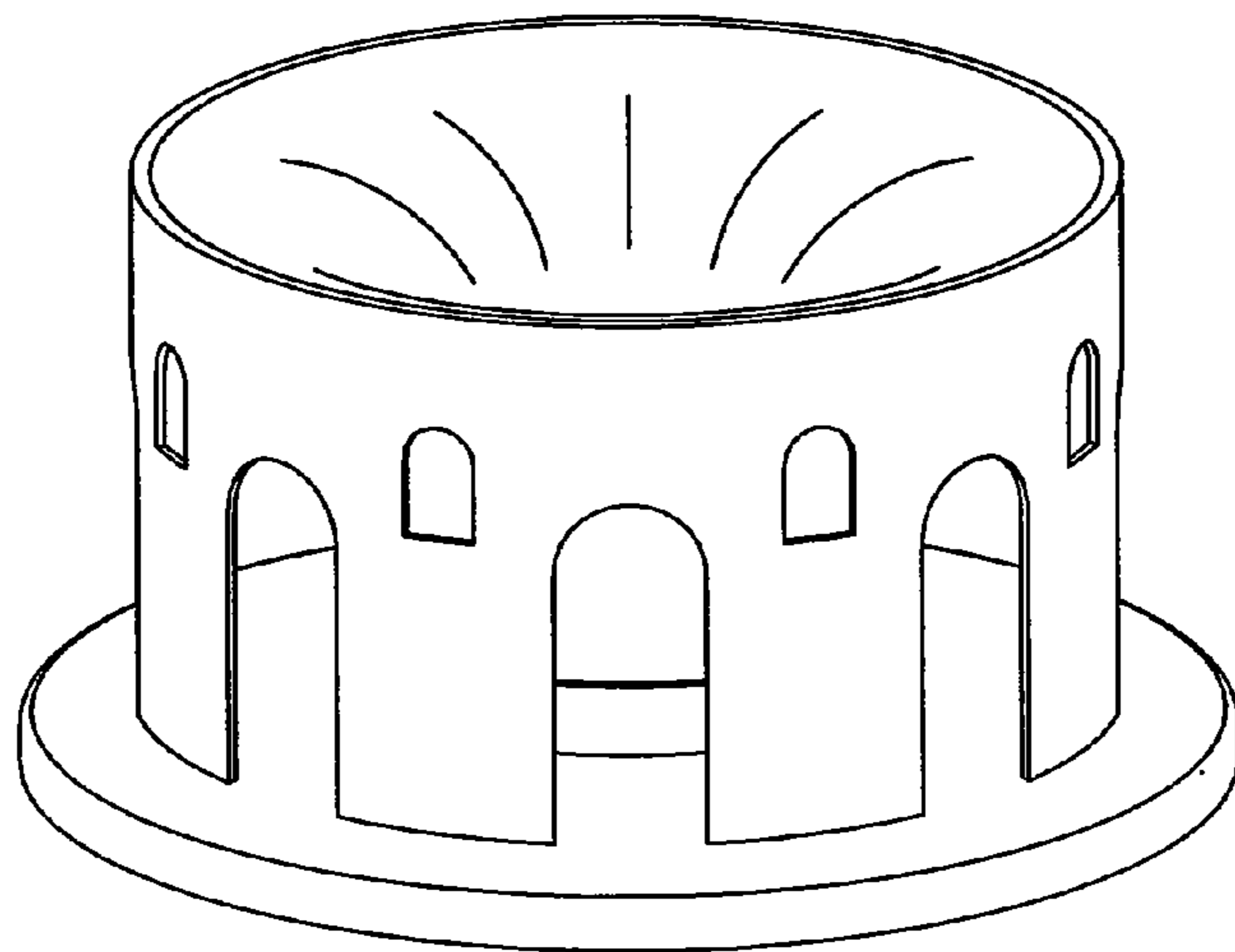


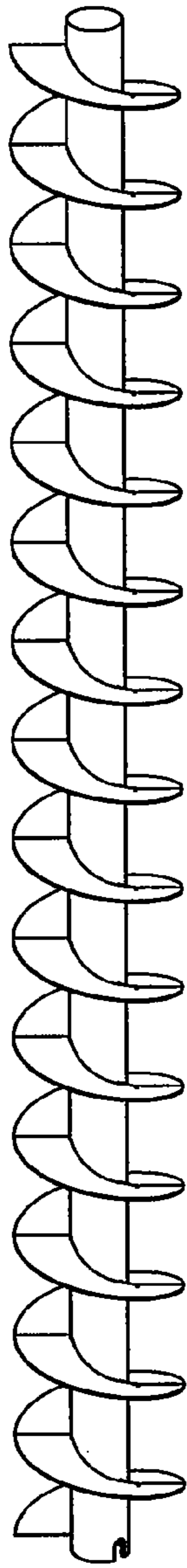
Fig. 7



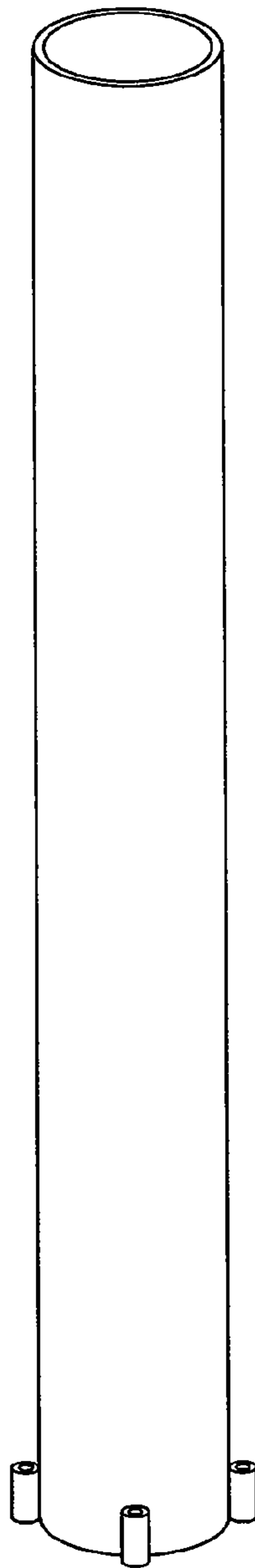
*Fig. 8*



*Fig. 9*



*Fig. 10*



*Fig. 11*