



US00D702979S

(12) **United States Design Patent**
Jannetides et al.

(10) **Patent No.:** **US D702,979 S**
(45) **Date of Patent:** **** Apr. 22, 2014**

(54) **STOOL SEAT**

(75) Inventors: **James N. Jannetides**, Fishers, IN (US);
Adam Anderson, Indianapolis, IN (US)

(73) Assignee: **J Squared, Inc.**, Greenfield, IN (US)

(**) Term: **14 Years**

(21) Appl. No.: **29/410,535**

(22) Filed: **Jan. 9, 2012**

(51) **LOC (10) Cl.** **06-01**

(52) **U.S. Cl.**
USPC **D6/716.1; D6/349**

(58) **Field of Classification Search**
USPC D6/330, 337, 341, 346, 349–355, 357,
D6/362, 364–373, 376, 377, 381, 645, 656,
D6/658, 665, 674, 675.5, 676, 690, 691,
D6/694, 704, 705, 707, 707.19,
D6/716.1–716.6, 717, 717.2; 297/423.12,
297/423.13, 423.37, 461, 462, 115, 116,
297/135, 160–162; D7/550.1, 552.1, 554.3
See application file for complete search history.

(56) **References Cited**

U.S. PATENT DOCUMENTS

2,545,840	A	3/1951	Browne	
D173,319	S	* 10/1954	Levenhagen D7/554.3
D194,840	S	3/1963	Ridder et al.	
3,185,423	A	* 5/1965	Jones, III 248/188.3
3,269,771	A	8/1966	Erdos	
D210,453	S	3/1968	Gardner	
D217,089	S	4/1970	Julien	
3,526,429	A	9/1970	Metzger	
3,821,825	A	7/1974	Bailey	
D245,132	S	7/1977	Gale, Jr.	
4,109,960	A	8/1978	Stinchfield	
4,160,564	A	7/1979	Kyle	
4,394,046	A	7/1983	Irwin et al.	
D272,205	S	1/1984	De Boer	

D273,729	S	5/1984	Pelly et al.	
D283,858	S	5/1986	Opsvik	
D286,802	S	11/1986	Ahlberg	
4,666,118	A	* 5/1987	Busche 248/288.31
4,697,845	A	10/1987	Kamman	
4,736,982	A	4/1988	Hwang	
4,765,684	A	8/1988	Kvalheim et al.	
4,767,159	A	8/1988	Opsvik	
4,767,160	A	8/1988	Mengshoel et al.	
D297,690	S	9/1988	Opsvik	
4,793,655	A	12/1988	Kvalheim	
4,832,407	A	5/1989	Serber	
4,960,305	A	10/1990	Opsvik	
D315,643	S	3/1991	Guy	

(Continued)

OTHER PUBLICATIONS

Sauder Sales Literature, "Trey Multifunction Task Chair," © 2006 (2 pgs.).

(Continued)

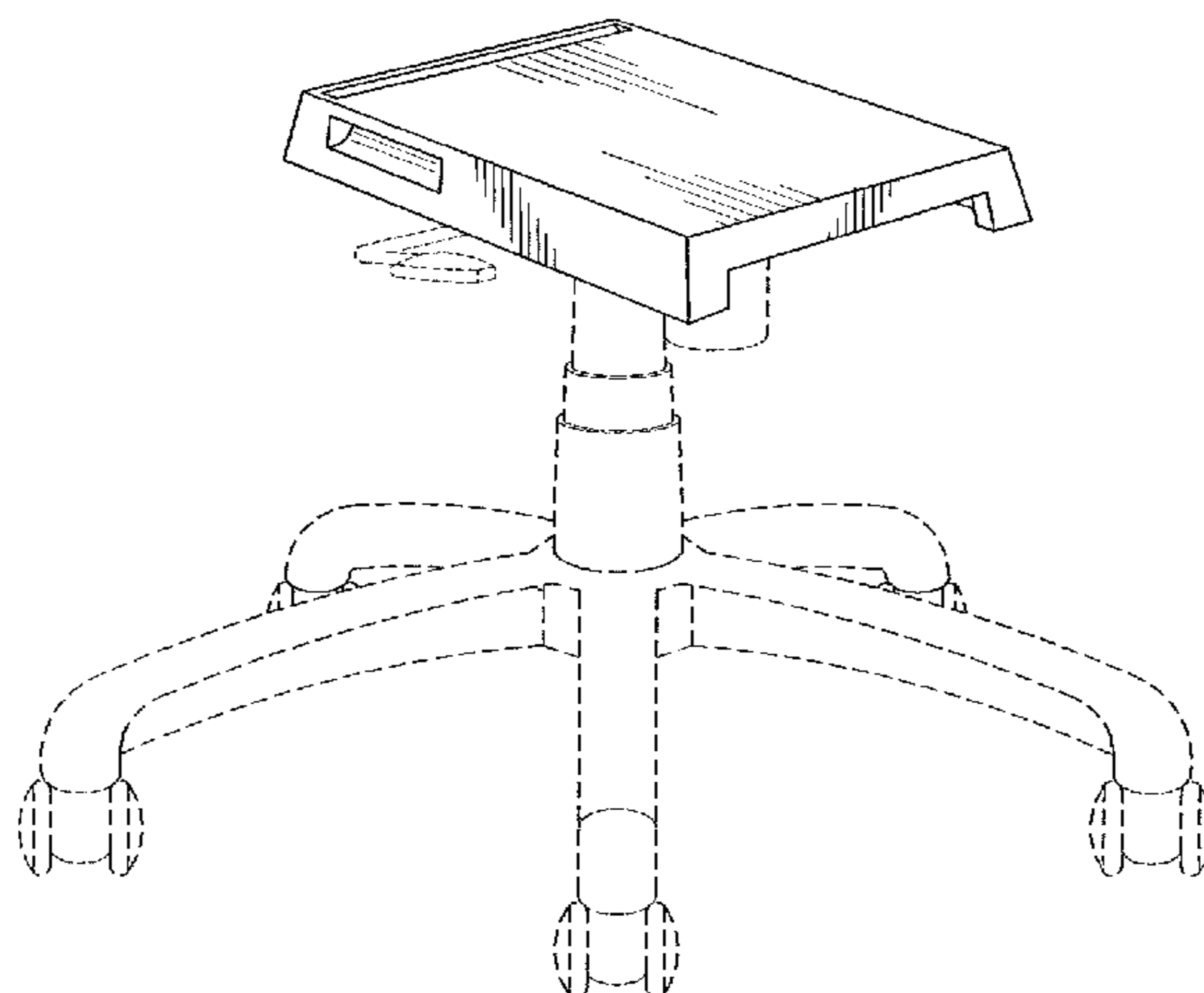
Primary Examiner — Susan Bennett Hattan
Assistant Examiner — Vy Koenig
(74) *Attorney, Agent, or Firm* — William F. Bahret

(57) **CLAIM**
The ornamental design for a stool seat, as shown and described.

DESCRIPTION

FIG. 1 is a perspective view of a stool seat showing our new design;
FIG. 2 is a front view thereof;
FIG. 3 is a rear view thereof;
FIG. 4 is a left side view thereof;
FIG. 5 is a right side view thereof; and,
FIG. 6 is a top view thereof.
The broken lines in FIG. 1 show environment for illustrative purposes only and form no part of the claimed design.

1 Claim, 4 Drawing Sheets



(56)

References Cited

U.S. PATENT DOCUMENTS

5,042,875 A 8/1991 Biggs, Sr.
 5,054,857 A 10/1991 Kvalheim
 D327,375 S 6/1992 Cooper
 5,169,210 A 12/1992 Fricano
 5,213,394 A 5/1993 Tattrie
 5,255,957 A 10/1993 Opsvik et al.
 5,261,727 A 11/1993 Klaebel
 5,308,146 A 5/1994 Chou
 5,423,597 A 6/1995 Rogers
 D360,665 S 7/1995 Hatfield
 D376,481 S * 12/1996 Bidwell et al. D6/330
 5,653,499 A 8/1997 Goodall
 5,667,278 A 9/1997 Li
 5,690,379 A 11/1997 Cayssials
 D395,962 S 7/1998 Buffon
 5,806,922 A 9/1998 Mendelovich
 D400,365 S 11/1998 Rossi
 D409,007 S 5/1999 Osterweil-Glaz et al.
 D411,689 S * 6/1999 Papaioannou et al. D6/349
 D411,692 S 6/1999 Ogg
 D425,713 S 5/2000 Tholkes et al.
 6,116,682 A 9/2000 Baur
 D437,129 S 2/2001 Pinto
 D437,692 S 2/2001 Smith
 D439,066 S 3/2001 Hannes et al.
 D450,210 S * 11/2001 Rich D6/511
 6,345,864 B1 2/2002 Rivera et al.
 6,352,306 B1 3/2002 Dreiling
 6,367,874 B2 4/2002 Casini
 6,416,123 B1 7/2002 Bell
 6,550,857 B1 4/2003 Canton
 6,554,353 B1 4/2003 Yu
 6,572,134 B2 6/2003 Barrett et al.
 D478,734 S 8/2003 Chen
 D479,054 S 9/2003 Chen
 6,712,711 B1 3/2004 Skelton et al.
 D495,155 S 8/2004 Baldanzi et al.
 6,786,553 B1 9/2004 Grove
 D497,261 S 10/2004 Epp et al.

6,824,149 B1 11/2004 Whitlock et al.
 6,857,696 B2 2/2005 Usagani
 6,953,222 B2 10/2005 Larrick et al.
 D515,831 S 2/2006 Hosoe
 D516,828 S 3/2006 Tsai
 D520,762 S 5/2006 Pratt et al.
 D526,495 S 8/2006 Albin
 7,147,284 B2 12/2006 Mills et al.
 7,152,358 B1 12/2006 LeAnna et al.
 7,316,452 B2 1/2008 Vestweber
 7,338,122 B2 3/2008 Hei et al.
 D585,204 S 1/2009 Wieland et al.
 7,472,955 B2 1/2009 Crane et al.
 D601,854 S * 10/2009 Rubin D7/554.3
 D611,262 S * 3/2010 Grcic D6/366
 D618,927 S 7/2010 Zhang
 D633,316 S * 3/2011 Livengood et al. D6/510
 D639,576 S 6/2011 Breen
 D641,983 S 7/2011 Hazzard
 D650,604 S 12/2011 Lee
 8,083,288 B1 12/2011 Warncke et al.
 D658,904 S 5/2012 Chen
 D675,840 S * 2/2013 Jannetides et al. D6/366
 D681,358 S * 5/2013 Sjostrand et al. D6/349
 2002/0014792 A1 2/2002 Casini
 2002/0074835 A1 6/2002 Chalender
 2003/0218365 A1 11/2003 Kawiaka
 2005/0002750 A1 1/2005 Vallance
 2005/0040659 A1 2/2005 Baker et al.
 2005/0057079 A1 3/2005 Lee
 2006/0284463 A1 12/2006 Gelo et al.
 2007/0110512 A1 5/2007 Brede et al.
 2007/0131833 A1 6/2007 Maloney et al.

OTHER PUBLICATIONS

Kuchera, Ben, "The Transformer of Office Chairs: a Review of the Trey Chair," [online], Aug. 15, 2007. Retrieved from the Internet: <http://arstechnica.com/reviews/other/the-transformer-of-office-chairs-a-review-of-the-trey-chairs.ars>, (8 pgs.).

* cited by examiner

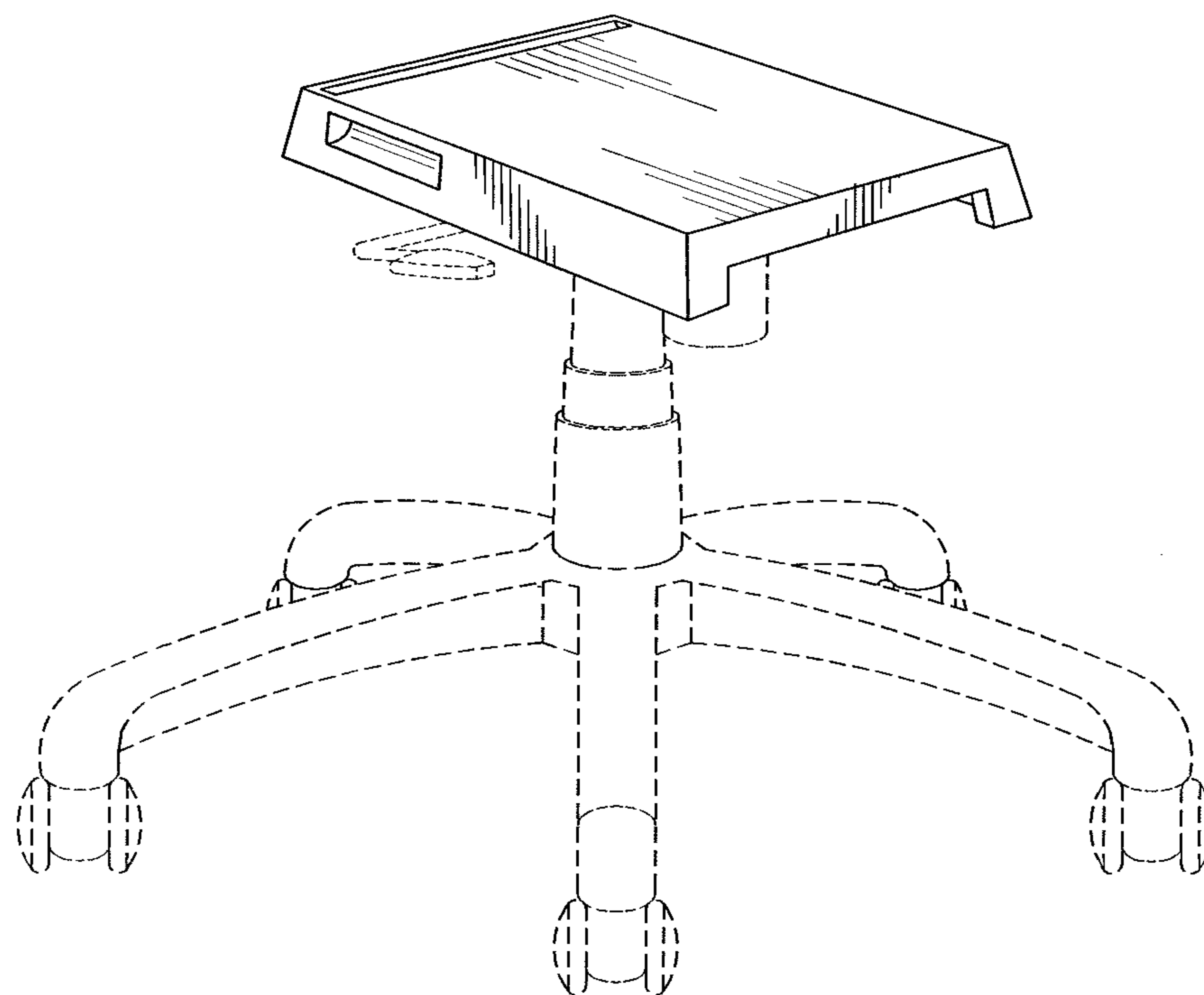


Fig. 1

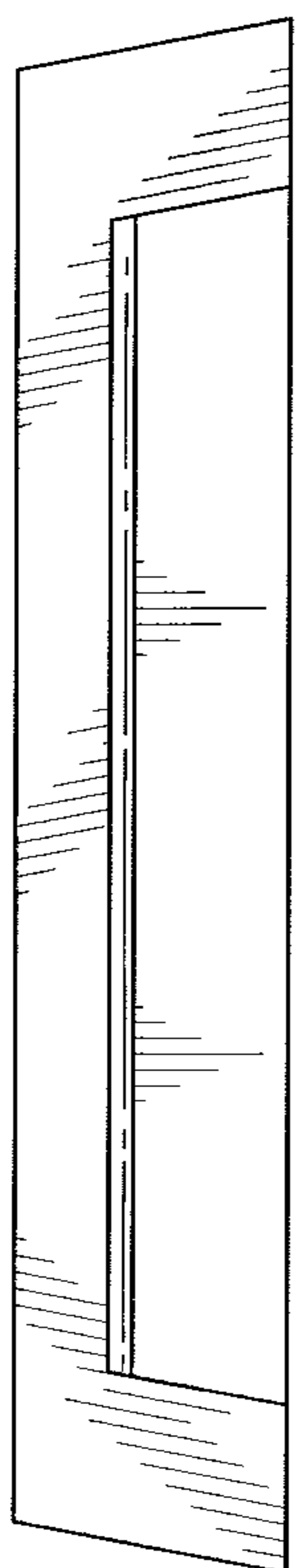


Fig. 2

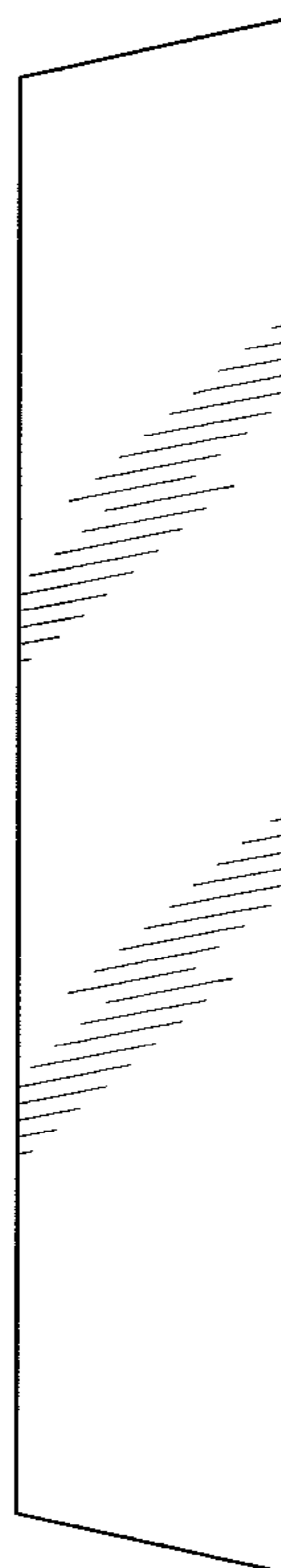


Fig. 3

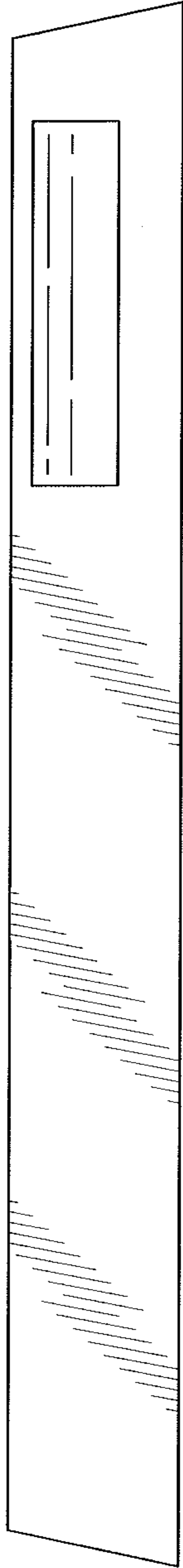


Fig. 4



Fig. 5

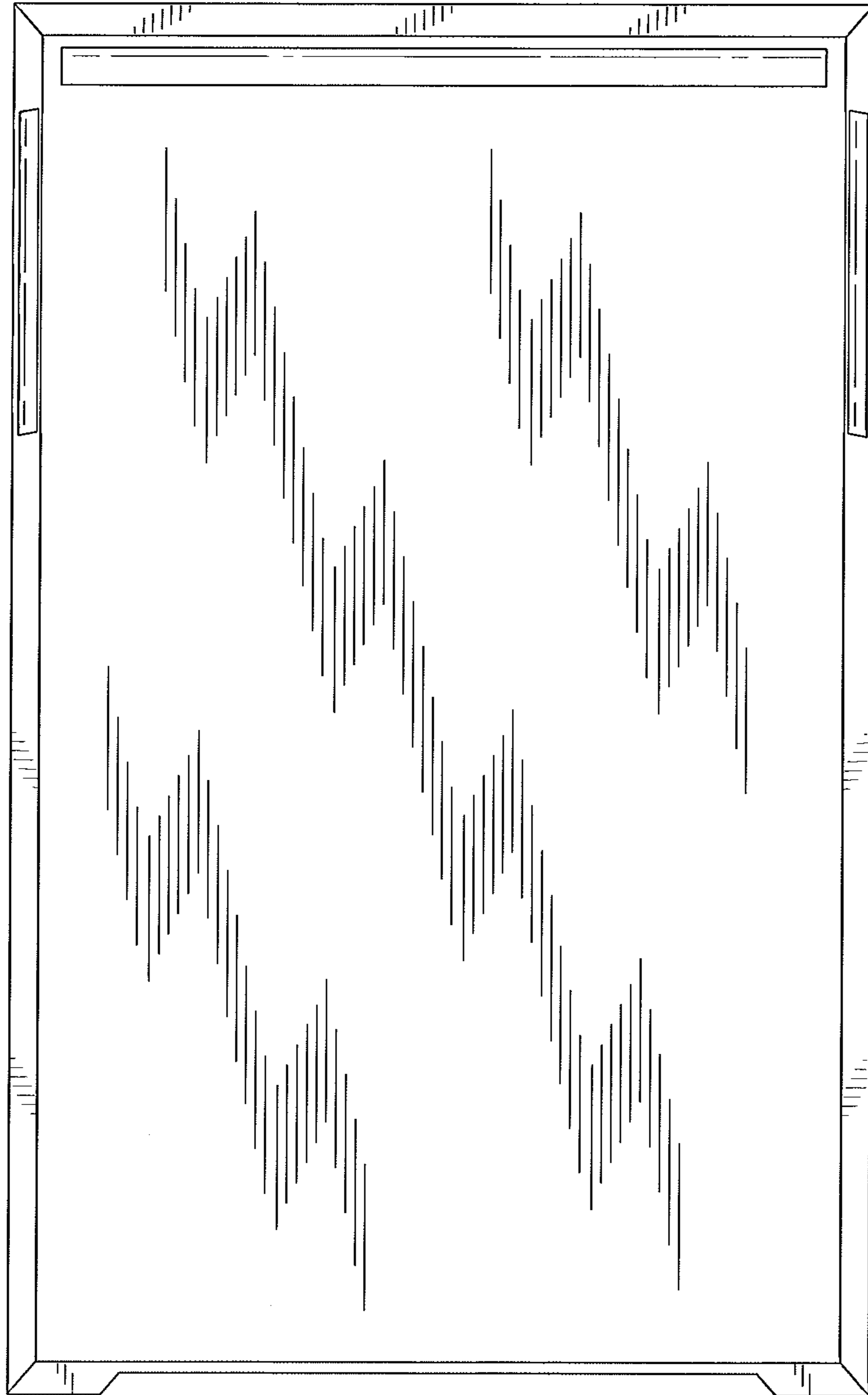


Fig. 6