



US00D702978S

(12) **United States Design Patent**
Moon

(10) **Patent No.:** **US D702,978 S**

(45) **Date of Patent:** **** Apr. 22, 2014**

(54) **CHAIR WITH SHINING STRIPE**

(56) **References Cited**

(71) Applicant: **FTI Group (Holding) Company Limited**, Grand Cayman (KY)

U.S. PATENT DOCUMENTS

(72) Inventor: **Jerry Moon**, Taipei (TW)

5,893,605	A *	4/1999	Chang	297/188.14
6,149,238	A *	11/2000	Tsai	297/411.43
6,499,804	B1 *	12/2002	Wu	297/381
D469,643	S *	2/2003	Wu	D6/500
6,733,070	B2 *	5/2004	Chang	297/16.2
6,814,408	B2 *	11/2004	Chen	297/284.6
D565,868	S *	4/2008	Matheus et al.	D6/491
D593,759	S *	6/2009	Oliphant	D6/335
7,845,720	B2 *	12/2010	Randall	297/188.04
D654,733	S *	2/2012	Burke	D6/500
8,303,032	B1 *	11/2012	Platta	297/4
D691,821	S *	10/2013	Mercieca et al.	D6/368
2004/0007903	A1 *	1/2004	Chang	297/45

(73) Assignee: **FTI Group (Holding) Company Limited**, Grand Cayman (KY)

(**) Term: **14 Years**

(21) Appl. No.: **29/452,857**

* cited by examiner

(22) Filed: **Apr. 22, 2013**

(51) **LOC (10) Cl.** **06-01**

Primary Examiner — Ricky Pham

(52) **U.S. Cl.**

(74) *Attorney, Agent, or Firm* — Shimokaji & Assoc., P.C.

USPC **D6/716**

(57) **CLAIM**

(58) **Field of Classification Search**

The ornamental design of a chair with shining stripe, as shown and described.

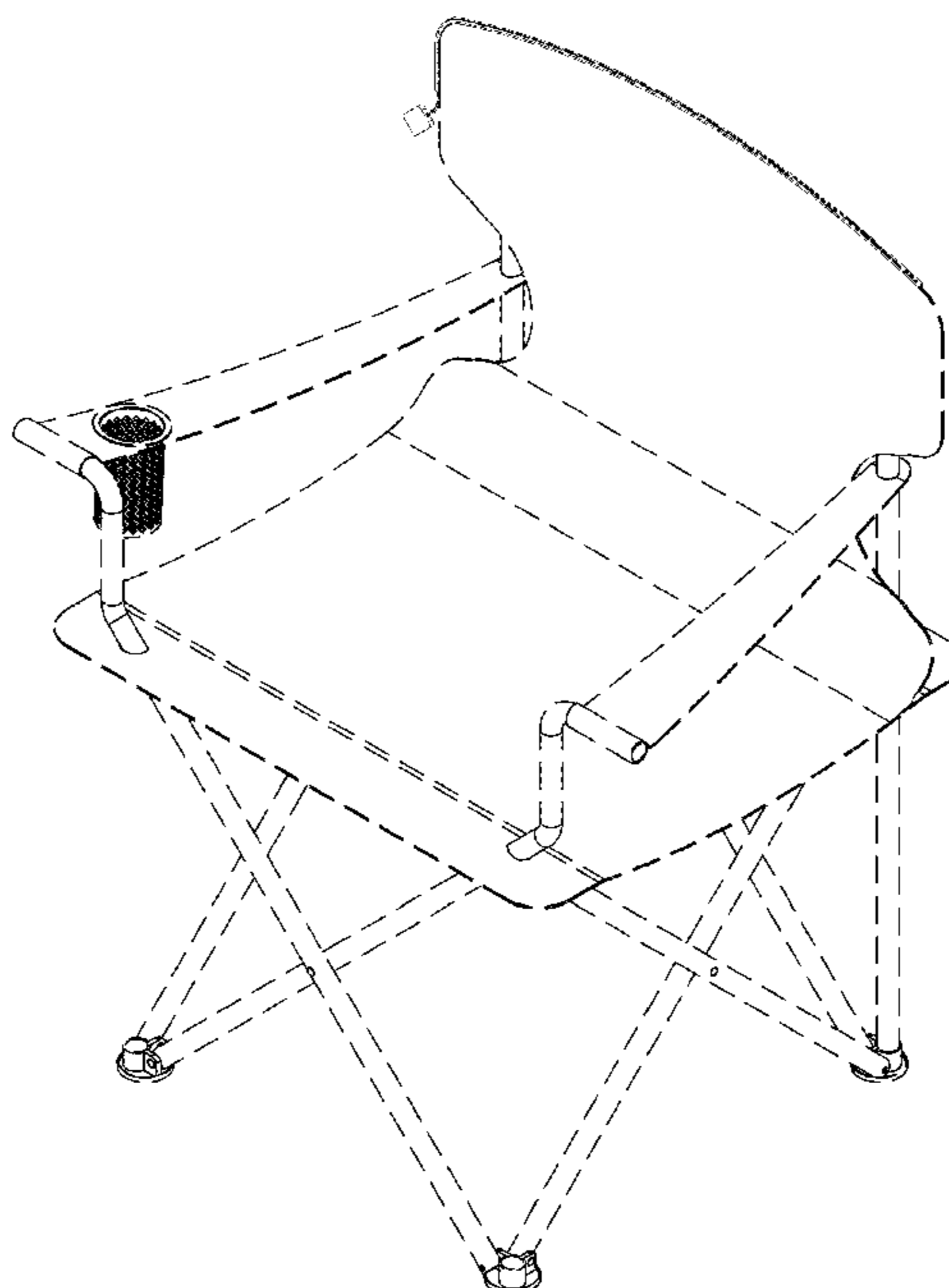
USPC D6/333–336, 344–356, 360–381, 388, D6/403, 491–502, 604, 708, 716, D6/716.1–716.4; 297/4, 16.1–16.2, 22, 31, 297/45, 135, 188.04, 188.14, 217.1, 228.1, 297/228.12, 248, 250.1, 256.16, 271.6, 297/284.4–284.6, 381, 411.2, 411.23, 297/411.27–411.29, 411.43, 423.1, 423.12, 297/440.1, 440.15, 440.21–440.24, 445.1, 297/446, 448.1–448.2, 452.13, 452.19, 297/452.21, 452.27, 452.29, 452.3, 452.41, 297/452.56, 452.642

DESCRIPTION

FIG. 1 is a perspective view of a chair with shining stripe showing my new design;
 FIG. 2 is a front view thereof;
 FIG. 3 is a rear view thereof;
 FIG. 4 is a left side view thereof;
 FIG. 5 is a right side view thereof;
 FIG. 6 is a top view thereof; and
 FIG. 7 is a bottom view thereof; and,
 FIG. 8 is an enlarge view thereof.
 The broken lines shown in the drawings are for illustrative purposes only and form no part of the claimed design.

See application file for complete search history.

1 Claim, 7 Drawing Sheets



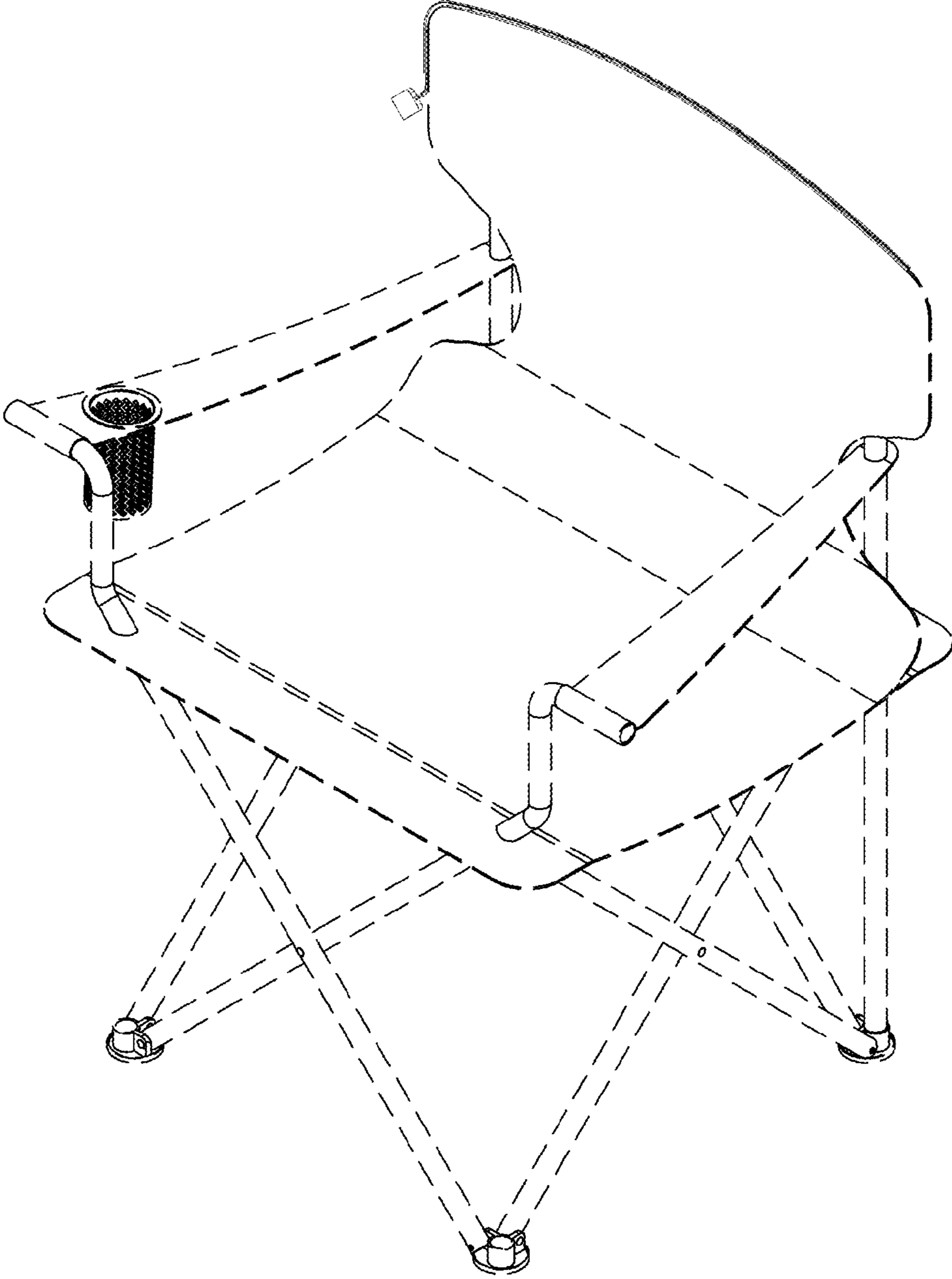


FIG. 1

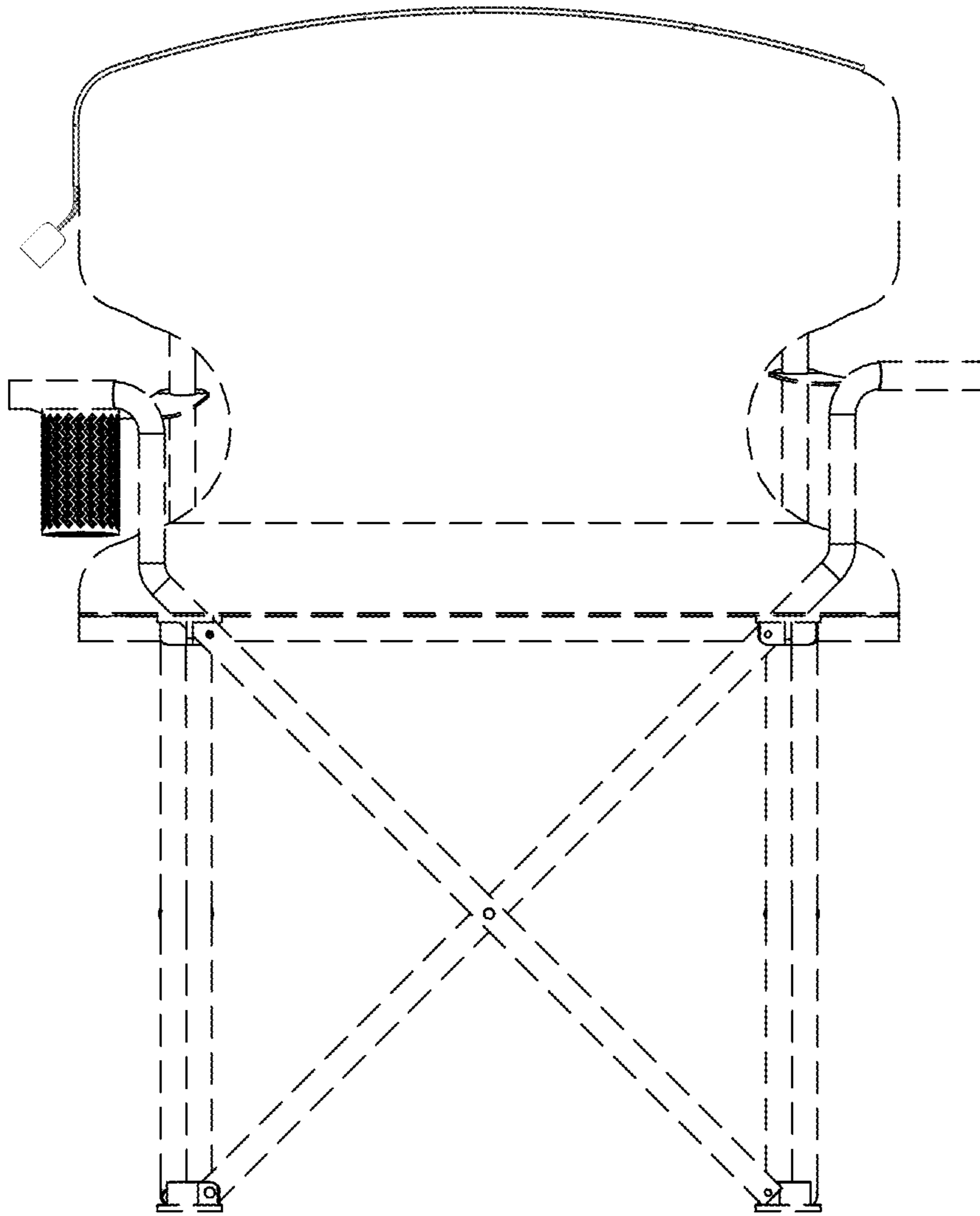


FIG. 2

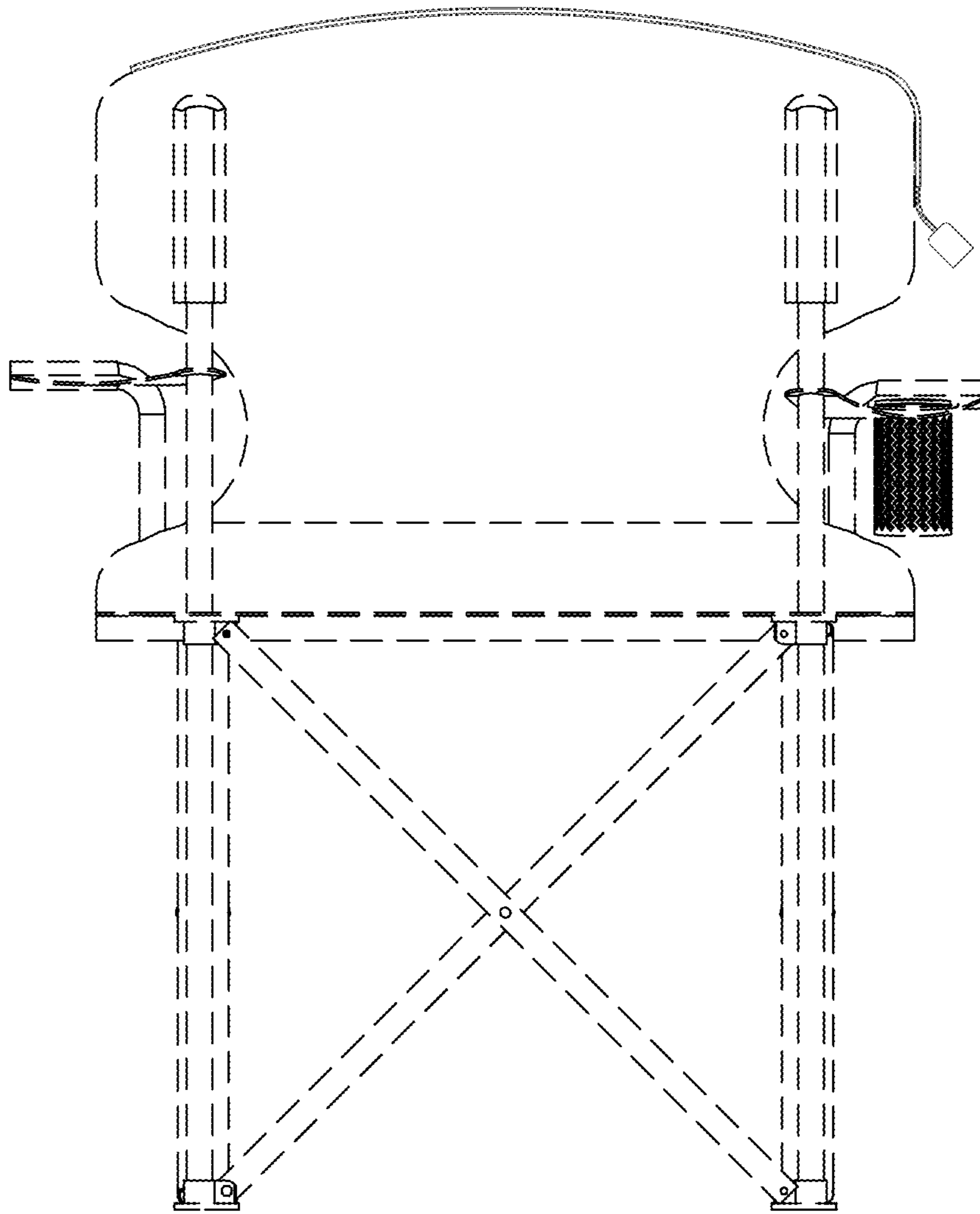


FIG. 3

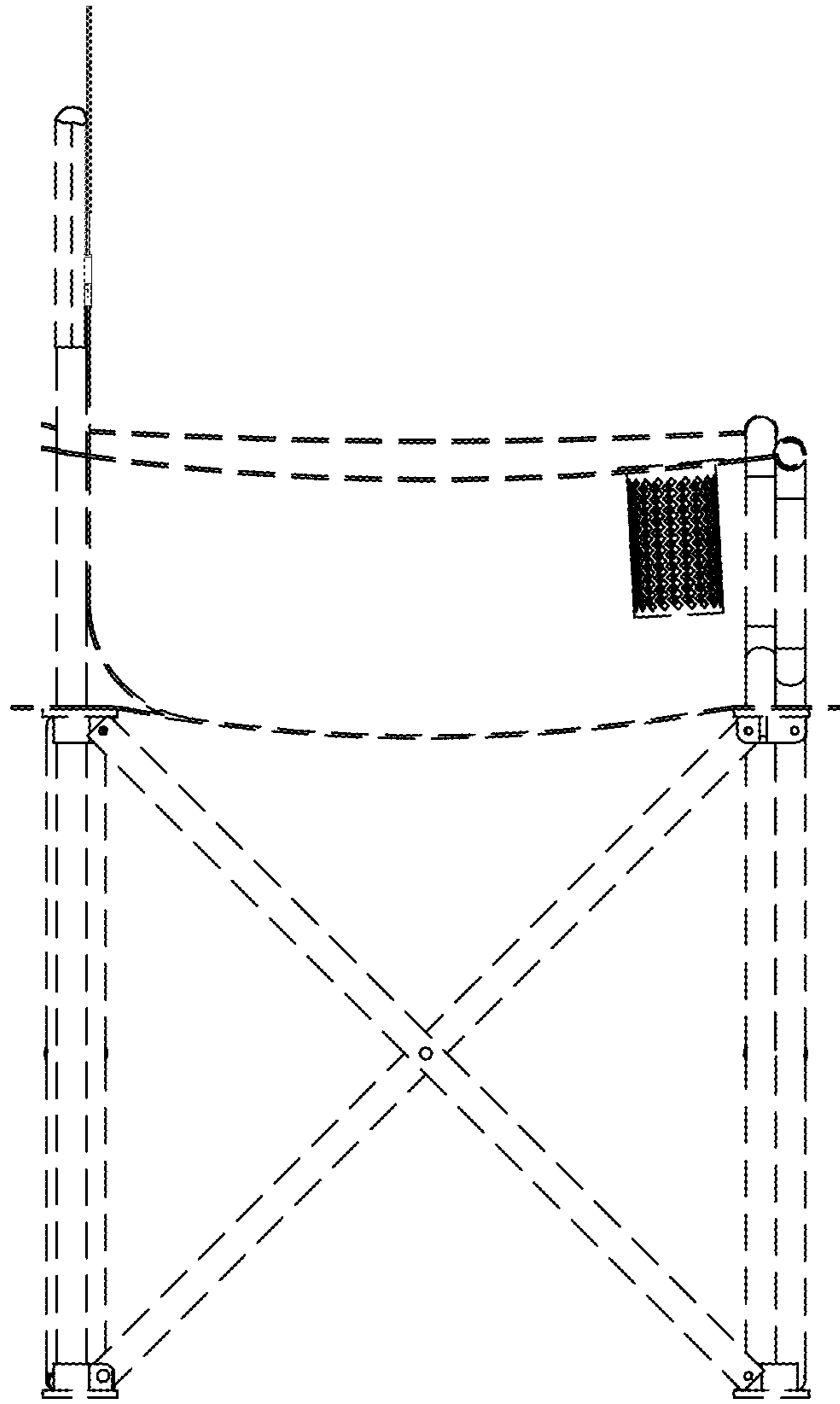


FIG. 4

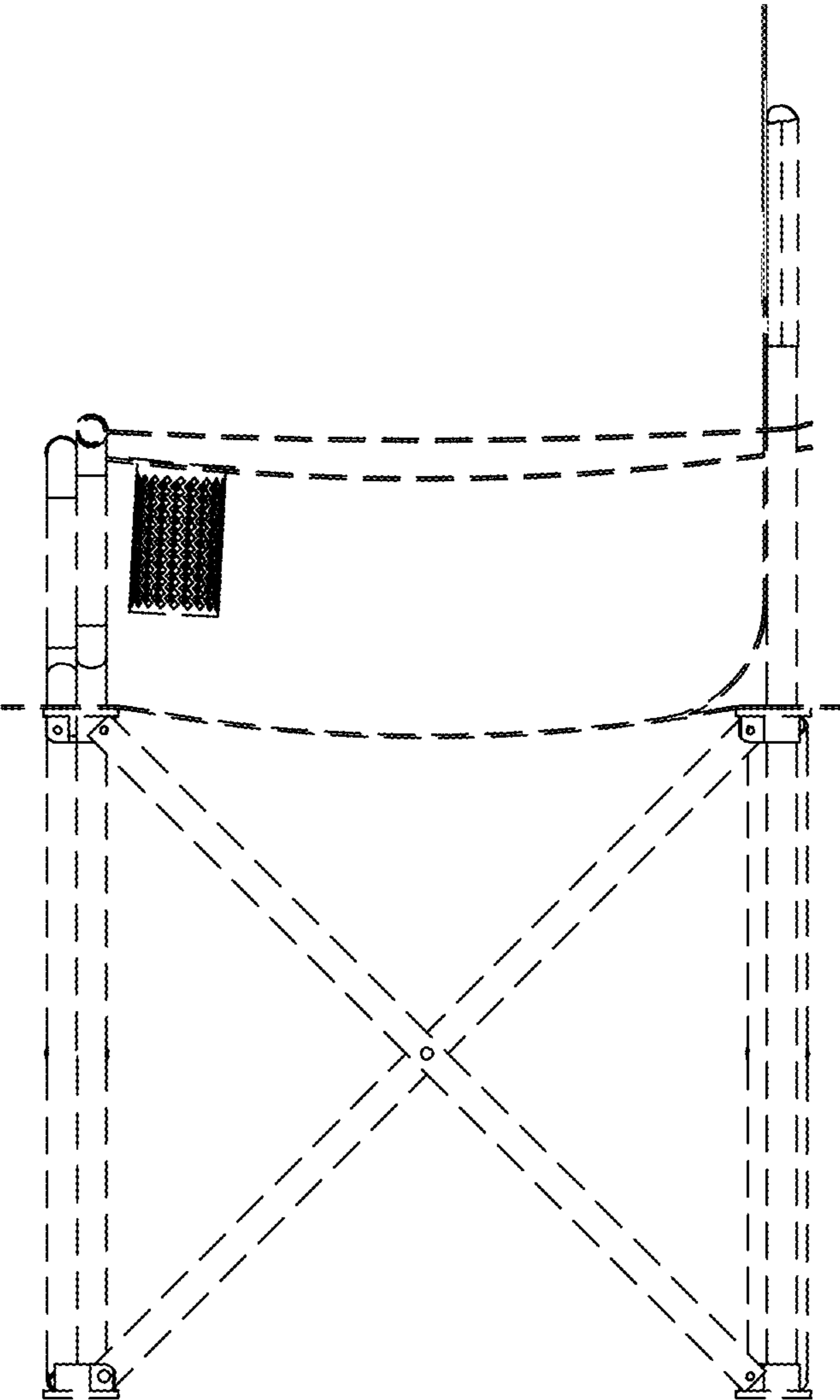


FIG. 5

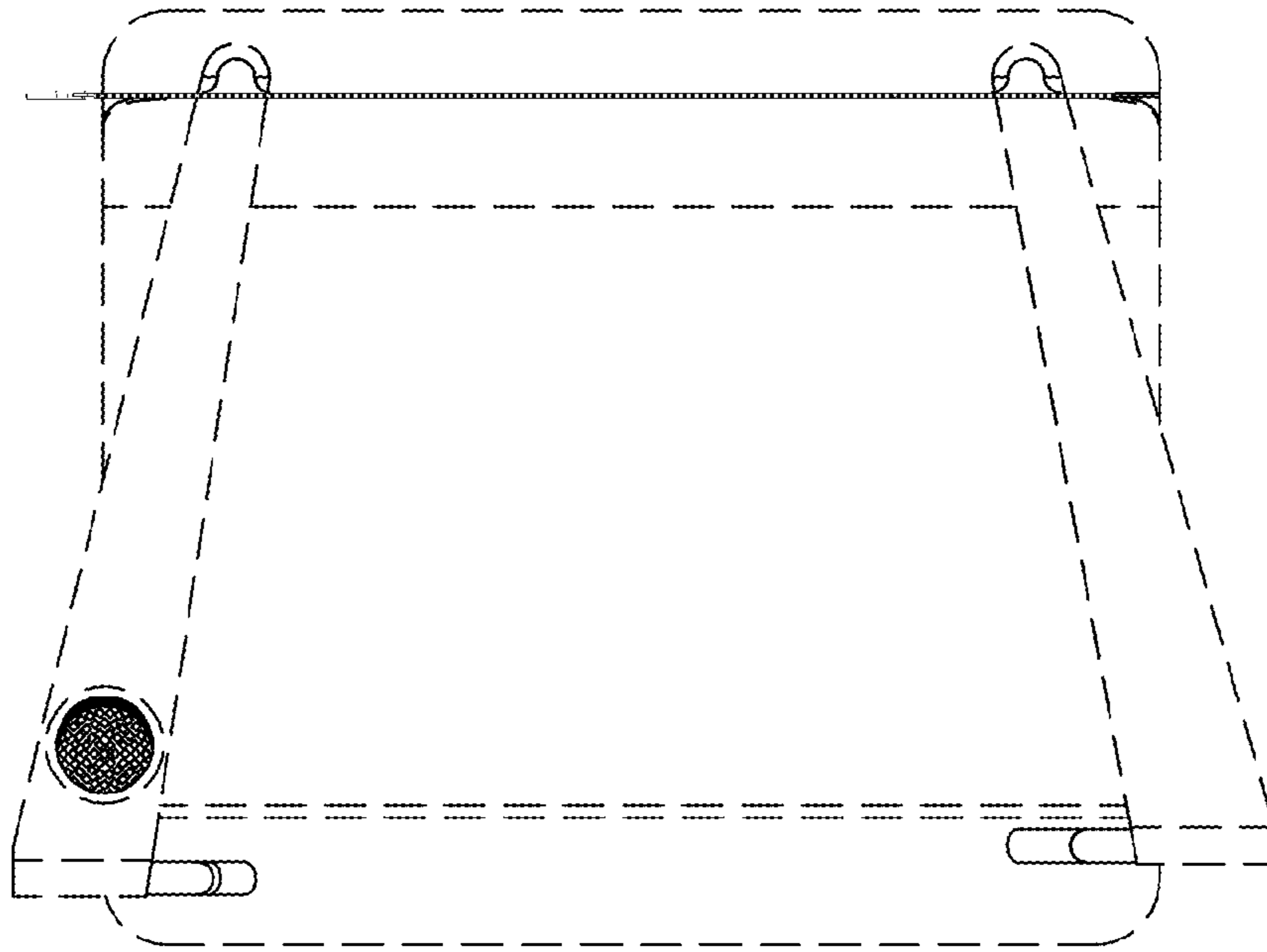


FIG. 6

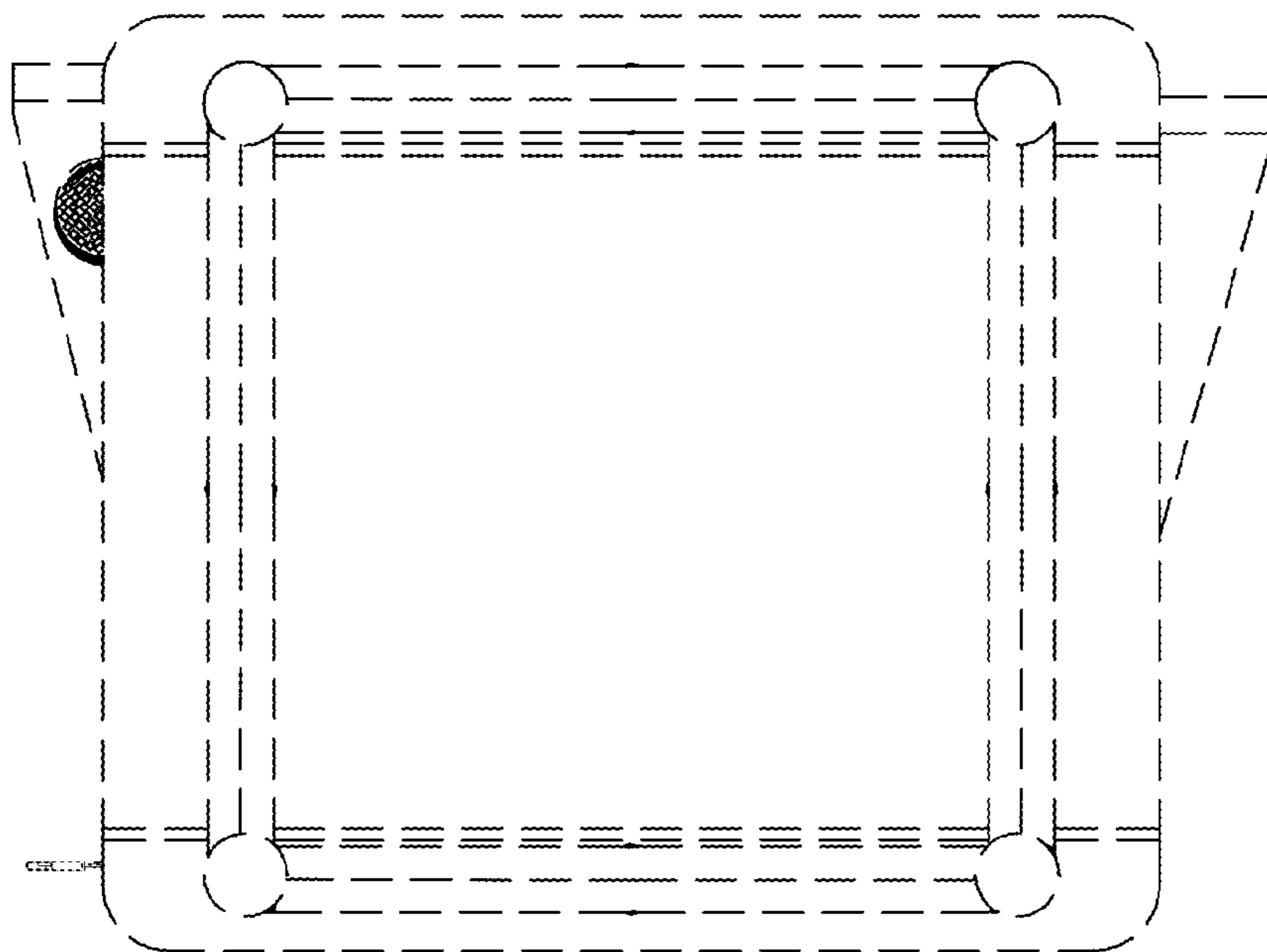


FIG. 7

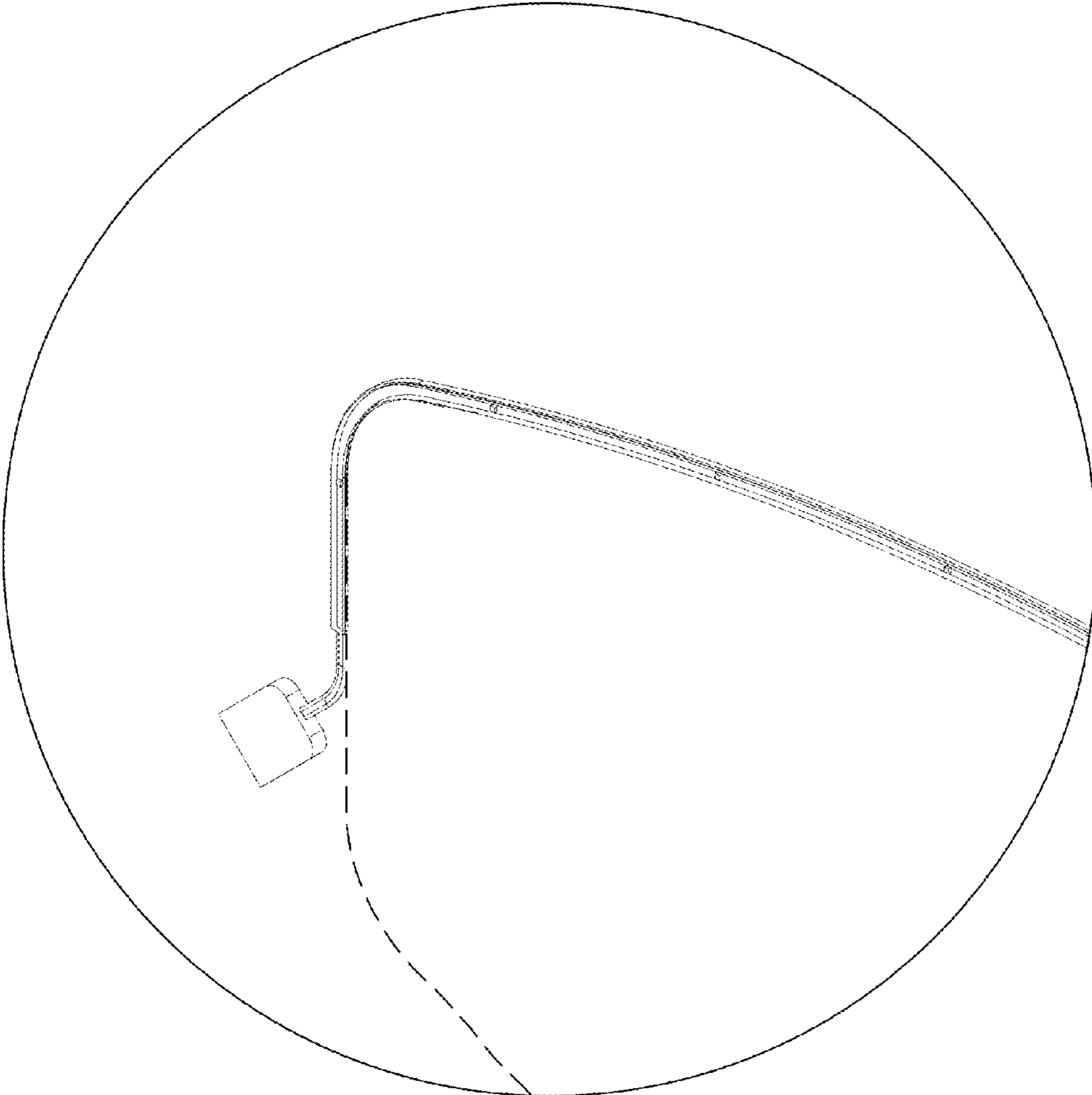


FIG. 8