



US00D702975S

(12) **United States Design Patent**
Stanavich

(10) **Patent No.:** **US D702,975 S**

(45) **Date of Patent:** **** Apr. 22, 2014**

(54) **STORAGE RACK**

(71) Applicant: **David Stanavich**, Brooklyn, NY (US)

(72) Inventor: **David Stanavich**, Brooklyn, NY (US)

(73) Assignee: **Wax Rax, Inc.**, Brooklyn, NY (US)

(**) Term: **14 Years**

(21) Appl. No.: **29/470,224**

(22) Filed: **Oct. 18, 2013**

(51) **LOC (10) CI.** **06-06**

(52) **U.S. Cl.**
USPC **D6/683.1**

(58) **Field of Classification Search**
USPC D6/432-433, 436, 466-468, 475-476,
D6/509-511, 683, 683.1-683.2; D3/304,
D3/313-315, 319; D9/341, 345, 347, 424;
211/11, 134, 135, 153, 189, 126, 128,
211/133; 206/555, 558, 566, 561-562;
312/198, 138.1, 204, 213, 348.4
See application file for complete search history.

(56) **References Cited**

U.S. PATENT DOCUMENTS

D304,075 S * 10/1989 Welch D24/185
D425,279 S * 5/2000 Houry et al. D34/20

6,079,719 A * 6/2000 Tisbo et al. 280/47.35
6,471,308 B1 * 10/2002 Konshak et al. 312/108
D470,687 S * 2/2003 Binse et al. D6/436
D489,556 S * 5/2004 Mason D6/511
D546,017 S * 7/2007 Wise D34/19
D615,208 S * 5/2010 Keffeler et al. D24/185
D636,615 S * 4/2011 Grela D6/400
D646,503 S * 10/2011 Fiori D6/436
D665,142 S * 8/2012 Shanahan et al. D34/20

* cited by examiner

Primary Examiner — Kelley Donnelly

(74) *Attorney, Agent, or Firm* — Karan Singh; Ostrolenk
Faber LLP

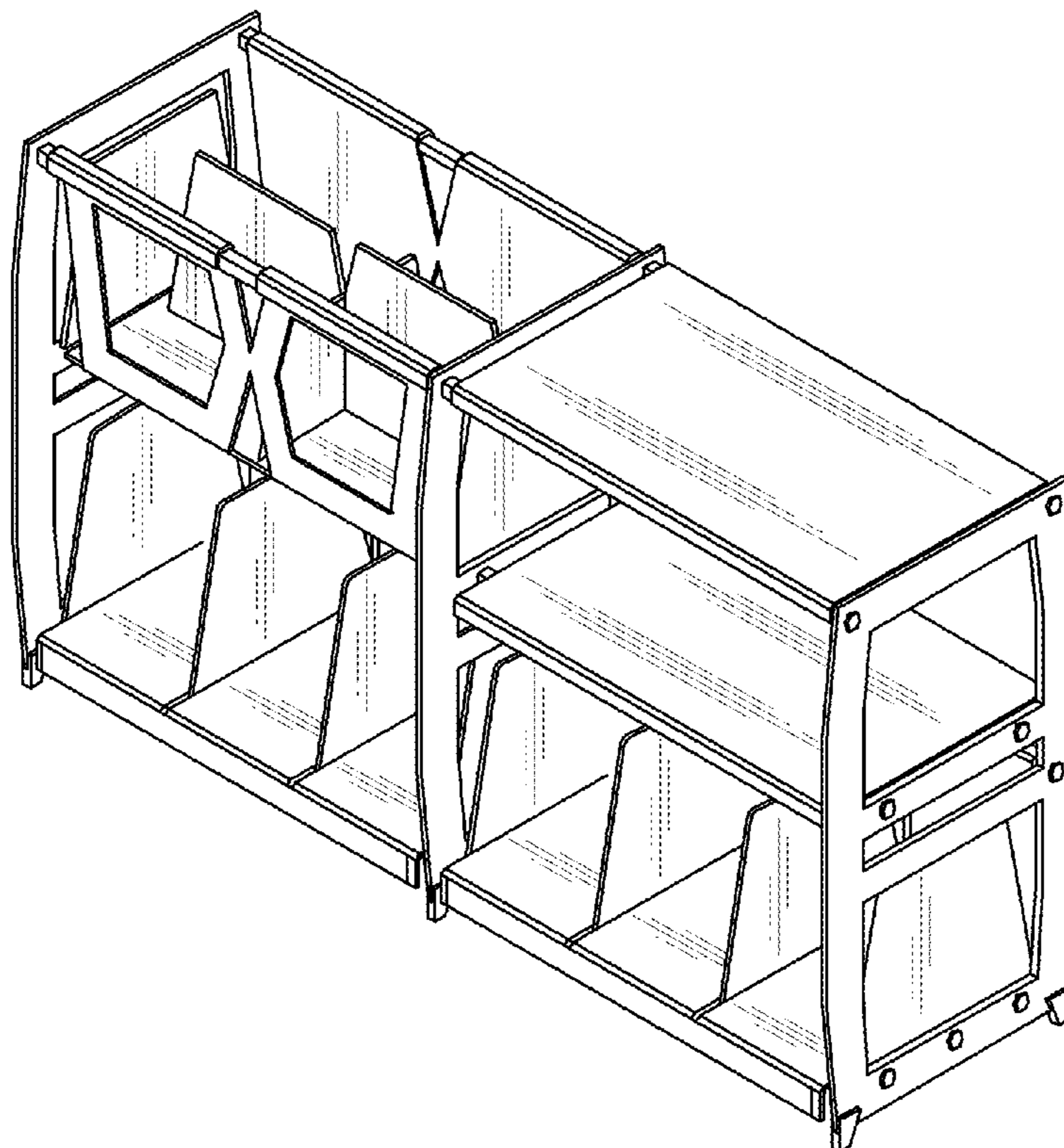
(57) **CLAIM**

The ornamental design for a storage rack, as shown and
described.

DESCRIPTION

FIG. 1 is a front, top, side perspective view of a storage rack
showing my new design;
FIG. 2 is a rear, top, side perspective view thereof;
FIG. 3 is a front view thereof;
FIG. 4 is a rear view thereof;
FIG. 5 is a left side view thereof, the right side view being a
mirror image;
FIG. 6 is a top view thereof; and,
FIG. 7 is a bottom view thereof.

1 Claim, 7 Drawing Sheets



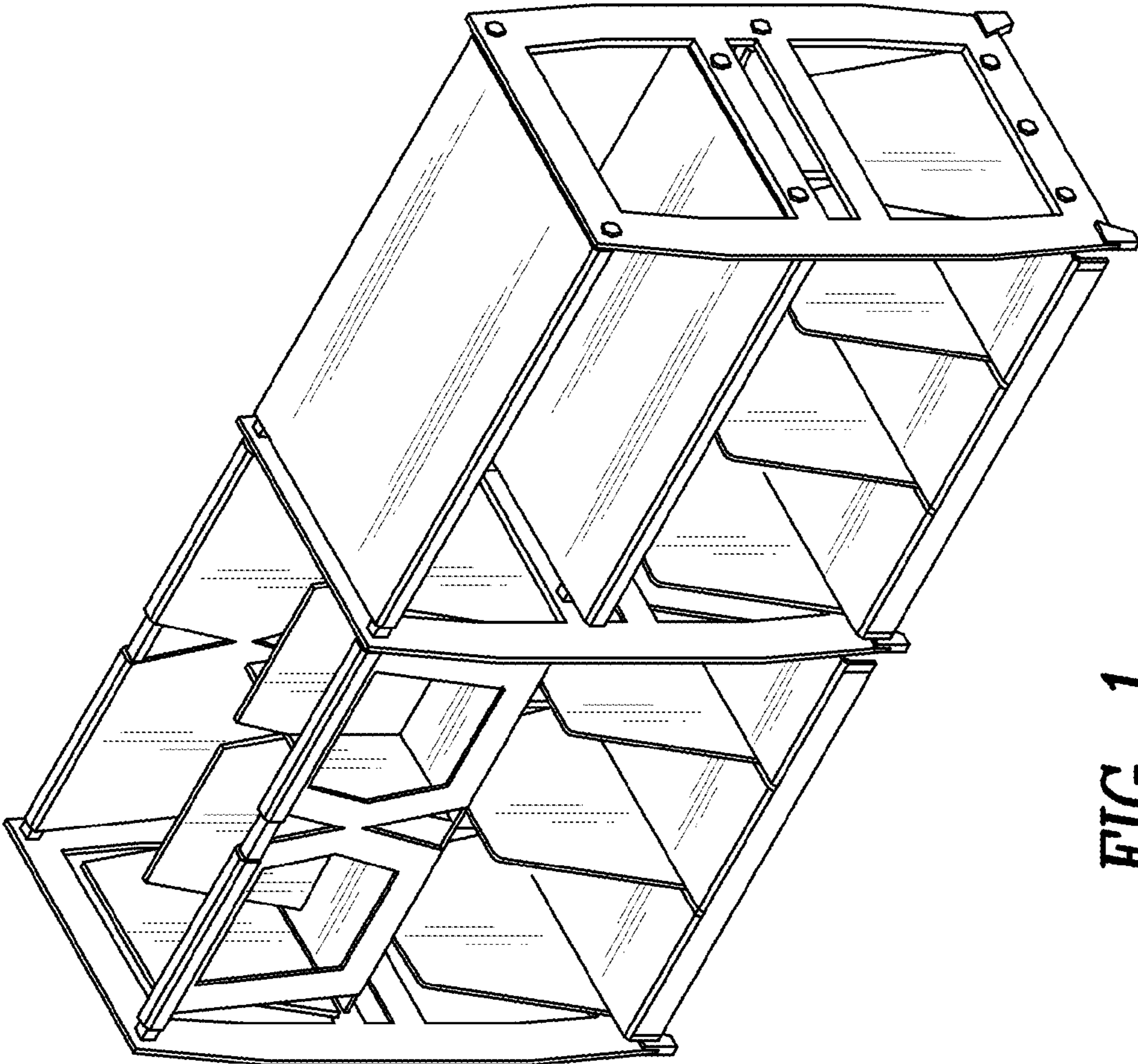


FIG. 1

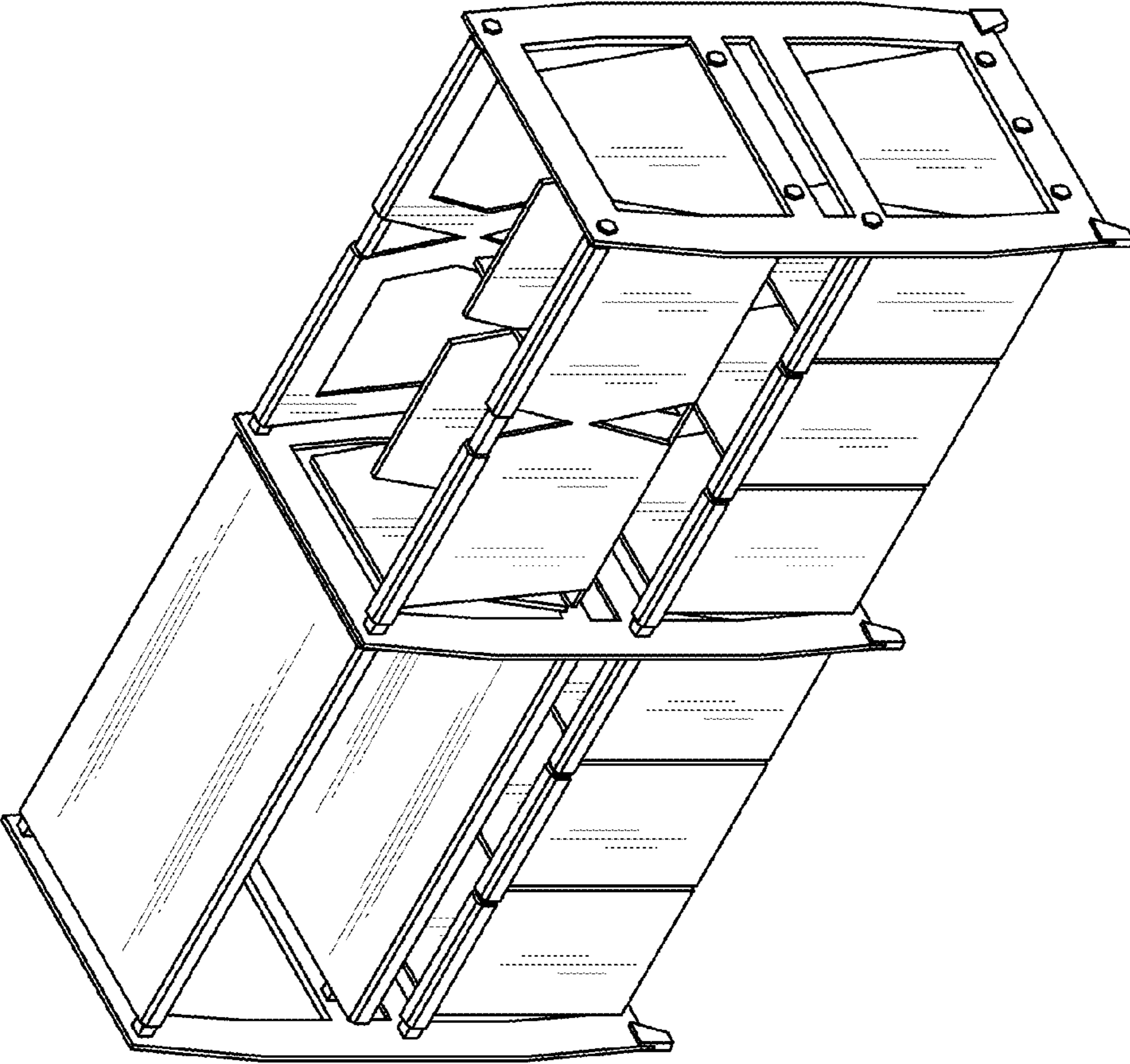


FIG. 2

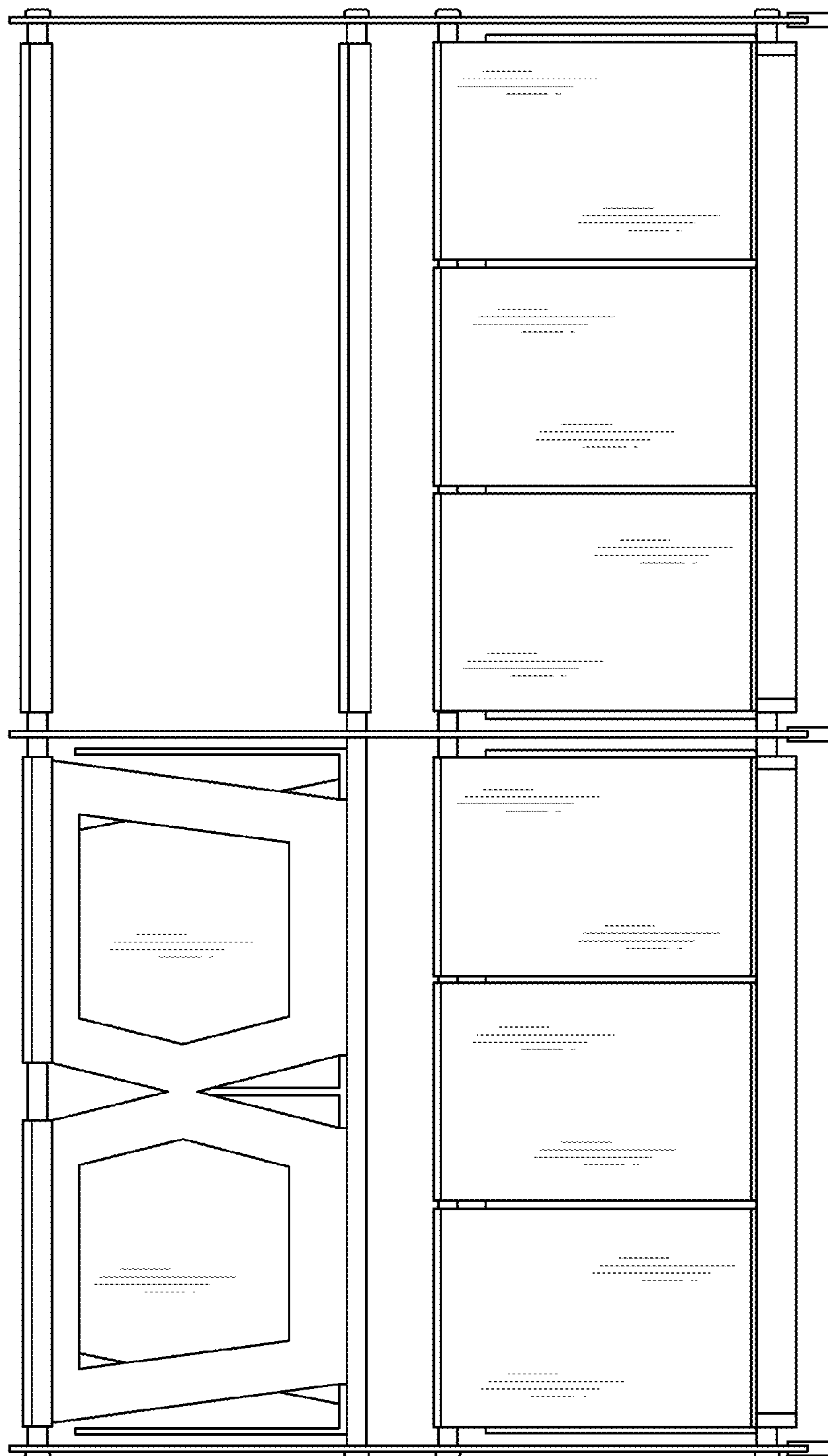


FIG. 3

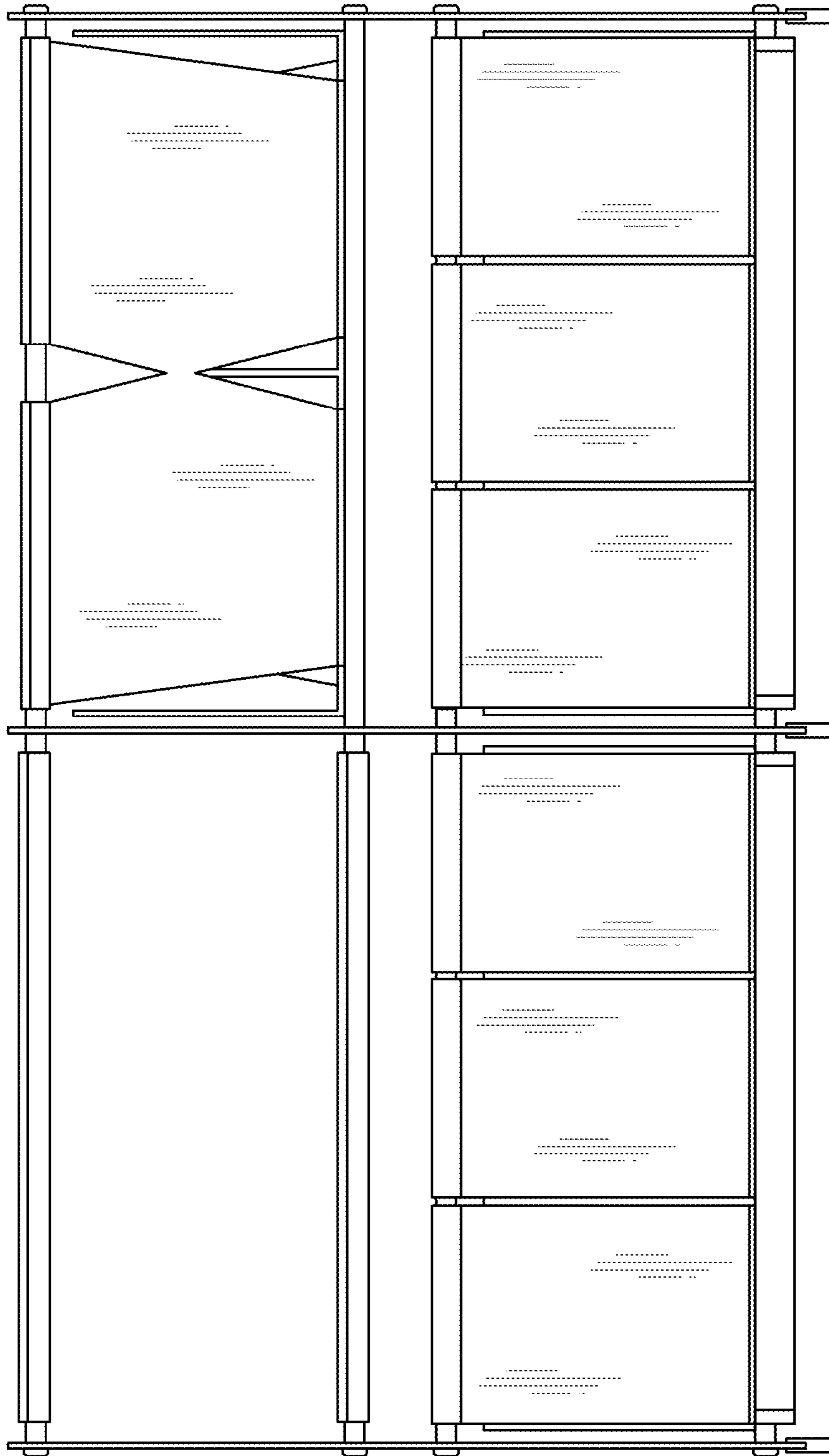


FIG. 4

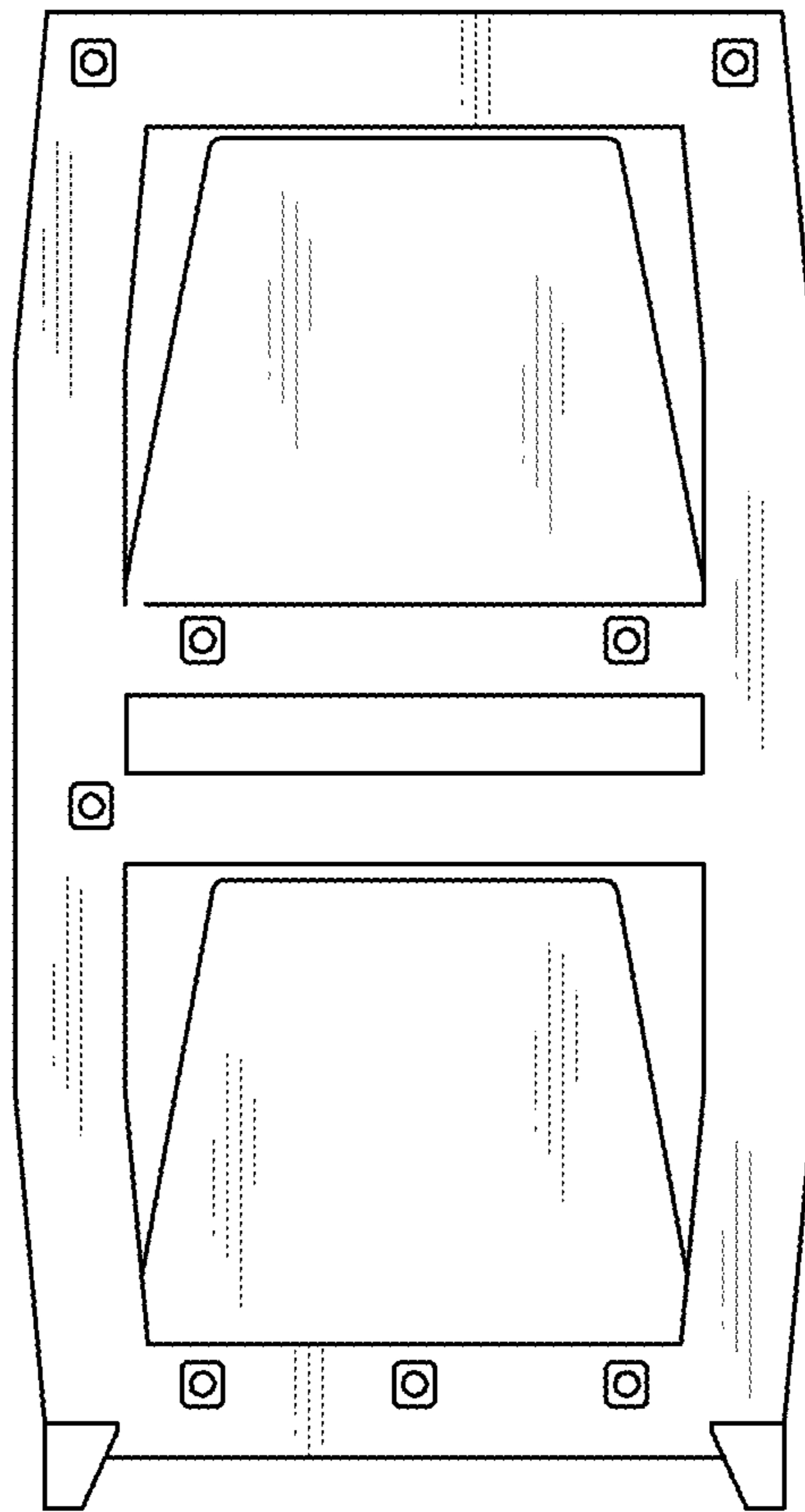


FIG. 5

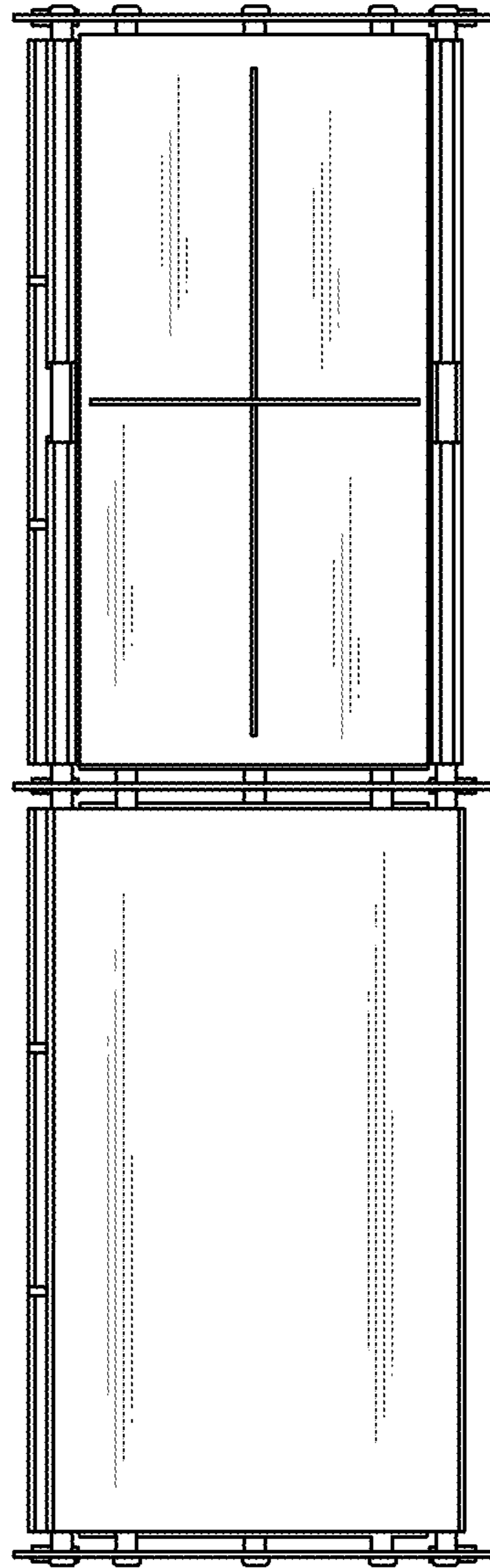


FIG. 6

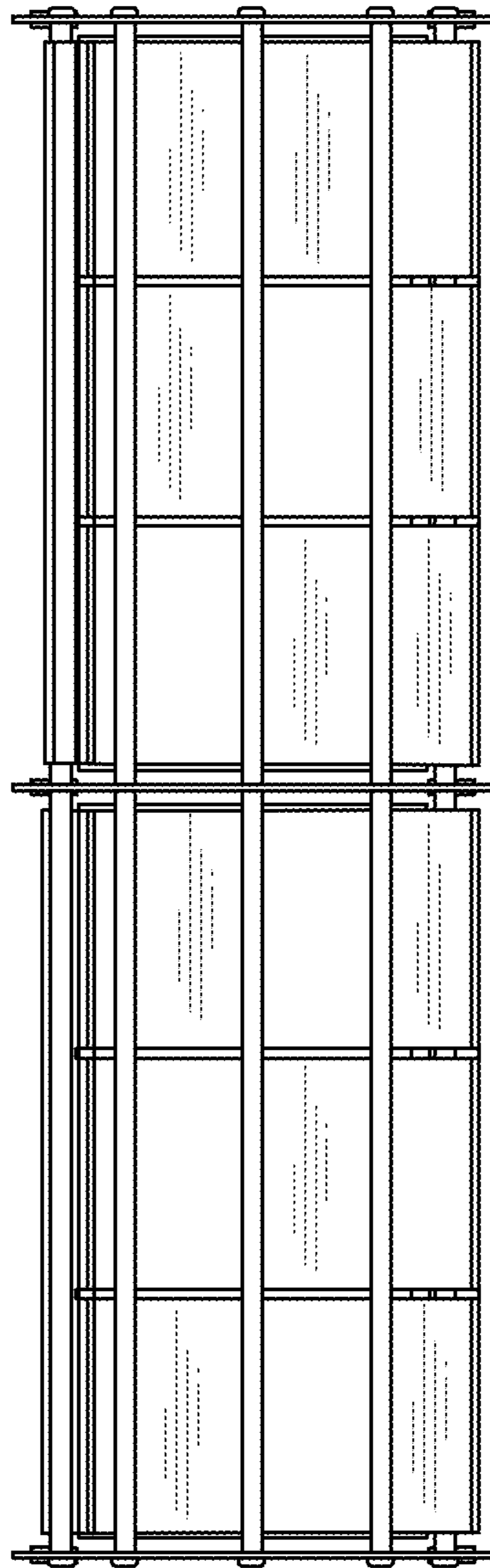


FIG. 7