

US00D702974S

(12) **United States Design Patent**  
**Madison et al.**

(10) **Patent No.:** **US D702,974 S**  
(45) **Date of Patent:** **\*\* Apr. 22, 2014**

(54) **CLASSROOM DESK**

**DESCRIPTION**

(71) Applicants: **Gregory P. Madison**, Story, WY (US);  
**Jeremy F. Marcus**, Sheridan, WY (US)

(72) Inventors: **Gregory P. Madison**, Story, WY (US);  
**Jeremy F. Marcus**, Sheridan, WY (US)

(73) Assignee: **Electronic Classroom Furniture Systems, LC**, Story, WI (US)

(\*\*) Term: **14 Years**

(21) Appl. No.: **29/438,313**

(22) Filed: **Nov. 28, 2012**

(51) **LOC (10) Cl.** ..... **06-03**

(52) **U.S. Cl.**  
USPC ..... **D6/650**; D6/700; D6/656

(58) **Field of Classification Search**  
USPC ..... D6/641, 642, 656, 656.16, 650, 696,  
D6/700, 697.1, 696.3; 108/50.01, 50.02,  
108/151, 153.1, 155, 156, 157.1, 158.12,  
108/161; 248/188, 188.1, 188.7, 188.8  
See application file for complete search history.

(56) **References Cited**

**U.S. PATENT DOCUMENTS**

D425,727 S *	5/2000	Ishikawa	.....	D6/425
D431,389 S *	10/2000	Brandenberg	.....	D6/422
D460,847 S *	7/2002	Morrow	.....	D34/17
D485,089 S *	1/2004	Roseman	.....	D6/425

\* cited by examiner

*Primary Examiner* — Janice Seeger

(57) **CLAIM**

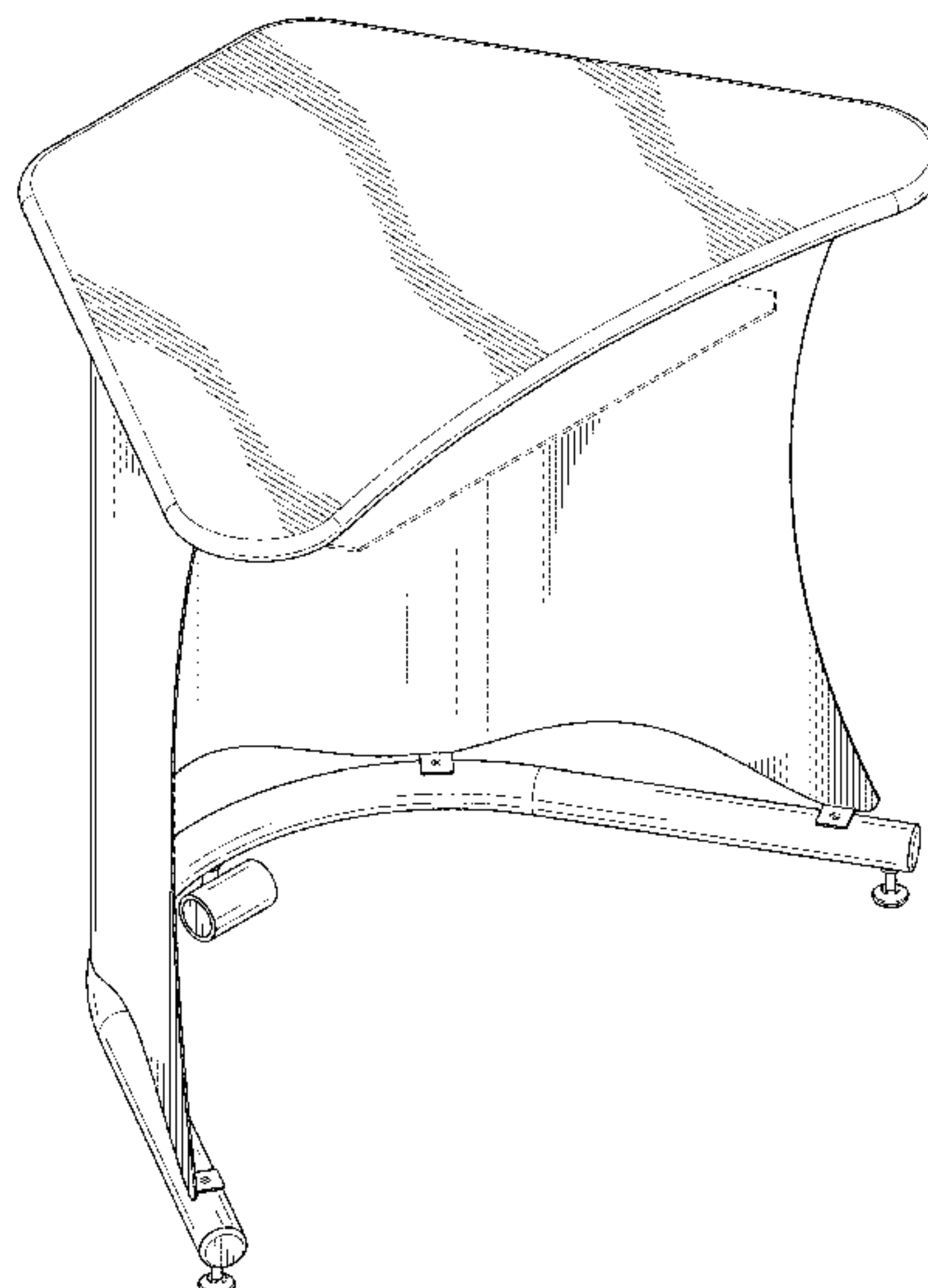
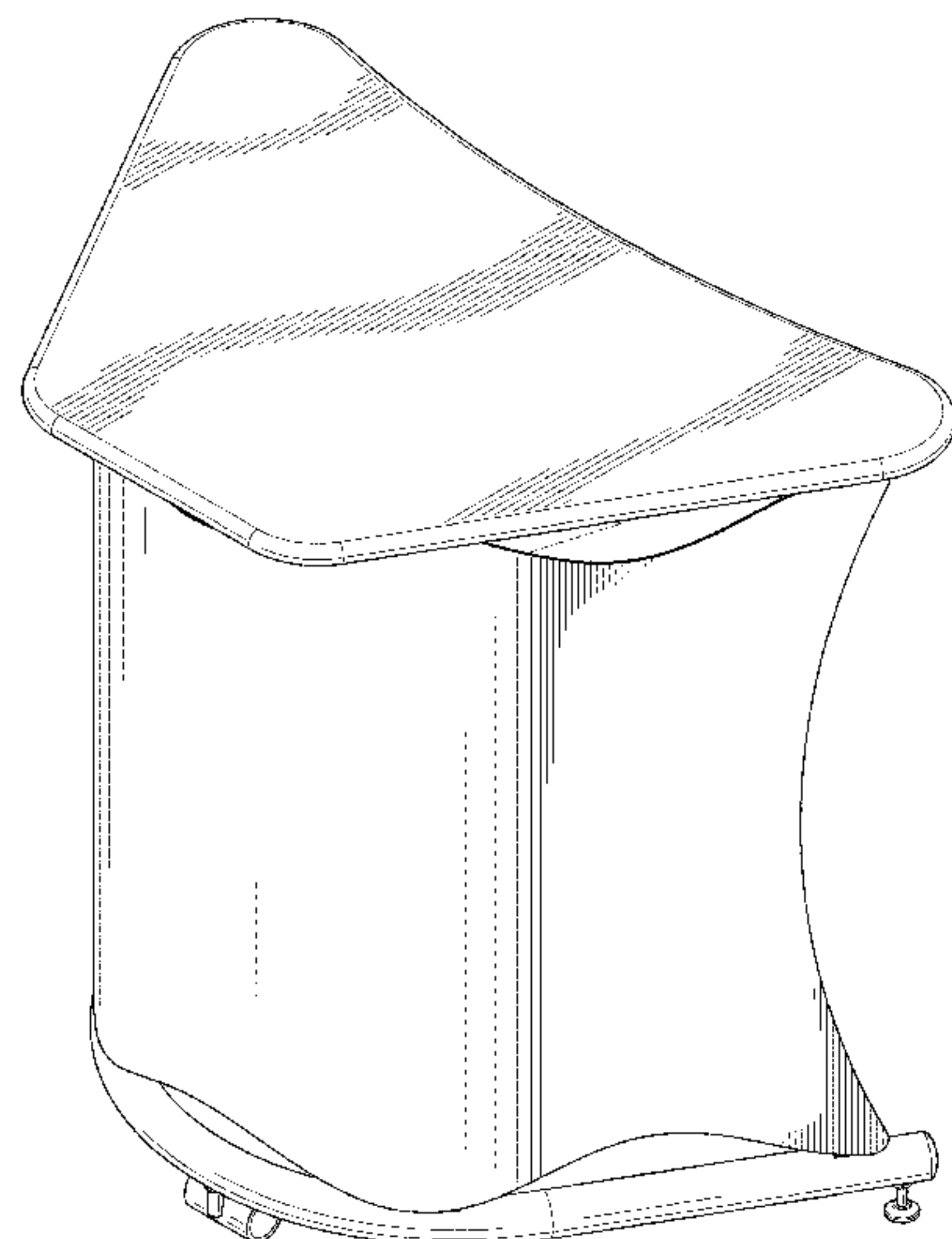
An ornamental design for a “classroom desk,” as shown and described.

FIG. 1 is a front, off-angle, perspective view of one embodiment of a classroom desk incorporating the new design; FIG. 2 is a front elevation view of the classroom desk of FIG. 1; FIG. 3 is a rear elevation view of the classroom desk of FIG. 1; FIG. 4 is a right side elevation view of the classroom desk of FIG. 1; FIG. 5 is a top plan view of the continuous front/side panel of FIG. 1; FIG. 6 is a top plan view of the classroom desk of FIG. 1; FIG. 7 is a bottom plan view of the classroom desk of FIG. 1; FIG. 8 is a left rear, down-angle perspective view of the classroom desk of FIG. 1 showing one mounting method for the continuous front/side panel to the base tube; FIG. 9 is a right rear, up-angle perspective view of the classroom desk of FIG. 1 showing the same mounting method as in FIG. 8 for the front and side panel to the top; FIG. 10 is a left rear, down-angle perspective view of a second embodiment of the classroom desk of FIG. 1; the only difference being the method of attachment of the continuous front/side panel to the base tube; and, FIG. 11 is a right rear, up-angle perspective view of the classroom desk of FIG. 10 showing the same mounting method as in FIG. 10 for the continuous front/side panel to the top.

The panel shown in FIG. 5 is shown separately for clarity of disclosure.

A left side elevation view is not shown as it is a mirror image of FIG. 4. Other views of the second embodiment are not shown as they are the same as FIGS. 1 through 9 with the exception that the method of attachment to the top and to the base tube are consistent throughout as shown in FIGS. 10 and 11. The method of attachment of the front/side panel to the top and to the base tube is consistent within each embodiment even if not shown explicitly. Areas shown in broken lines are not claimed.

**1 Claim, 11 Drawing Sheets**



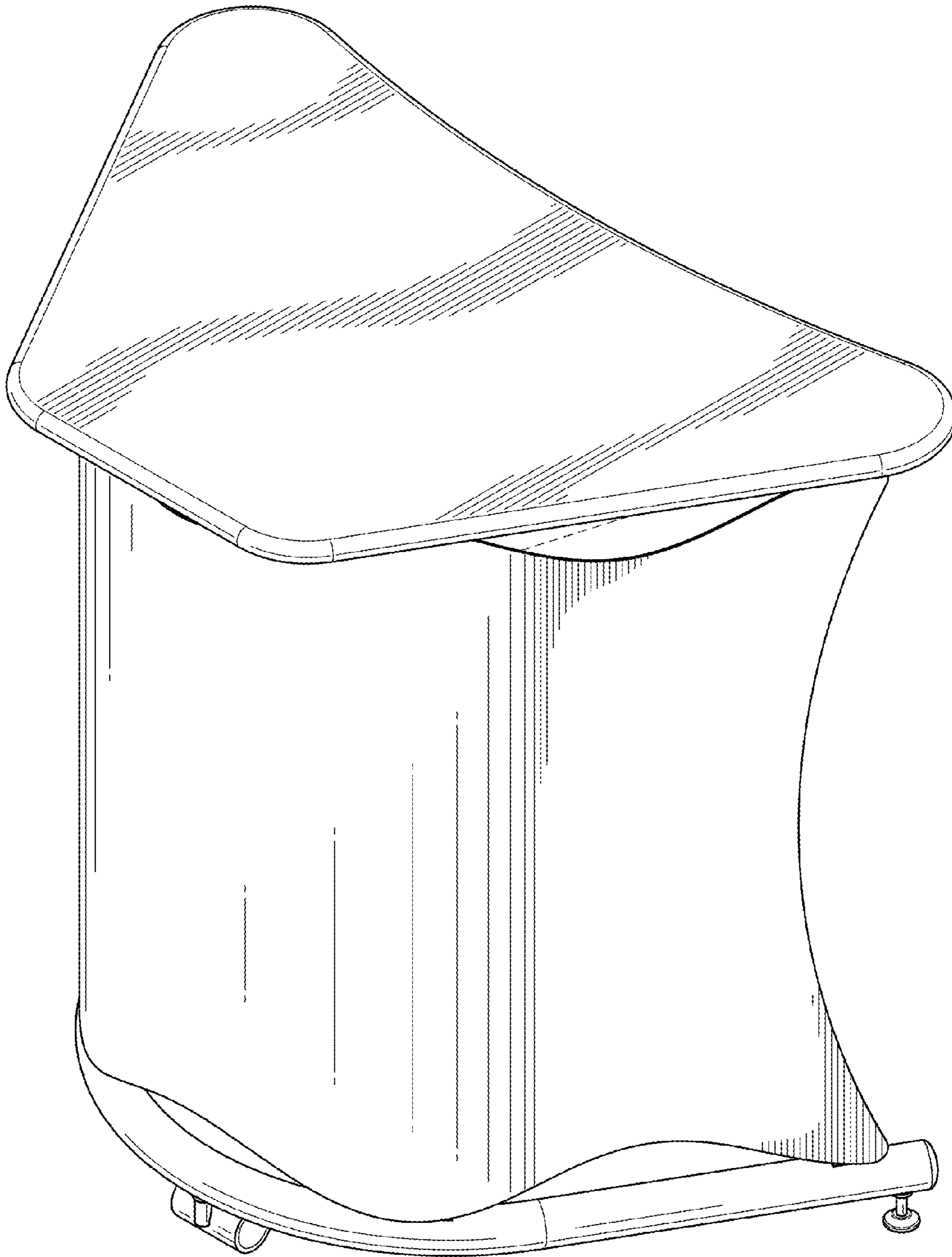


FIG. 1

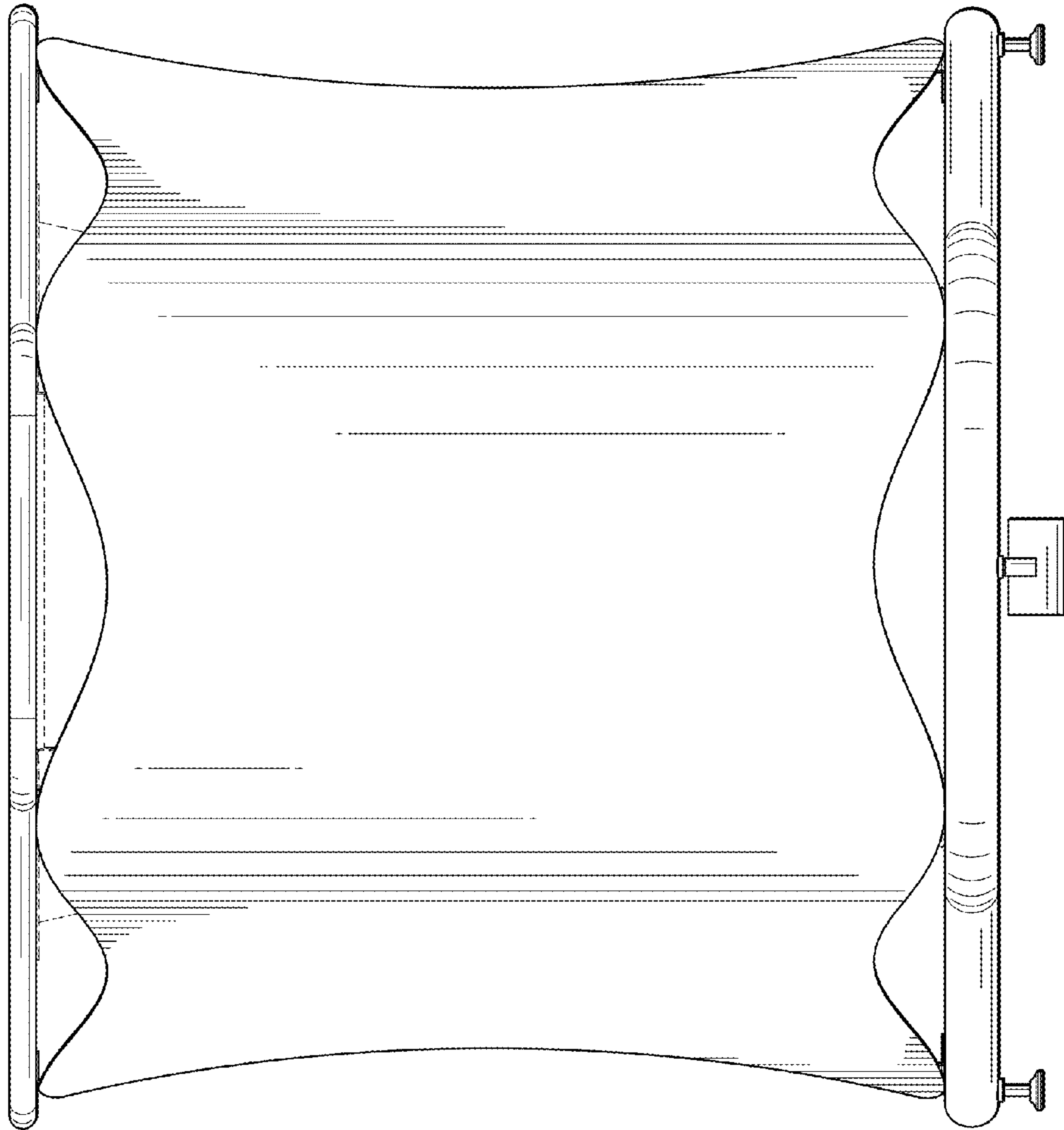


FIG. 2

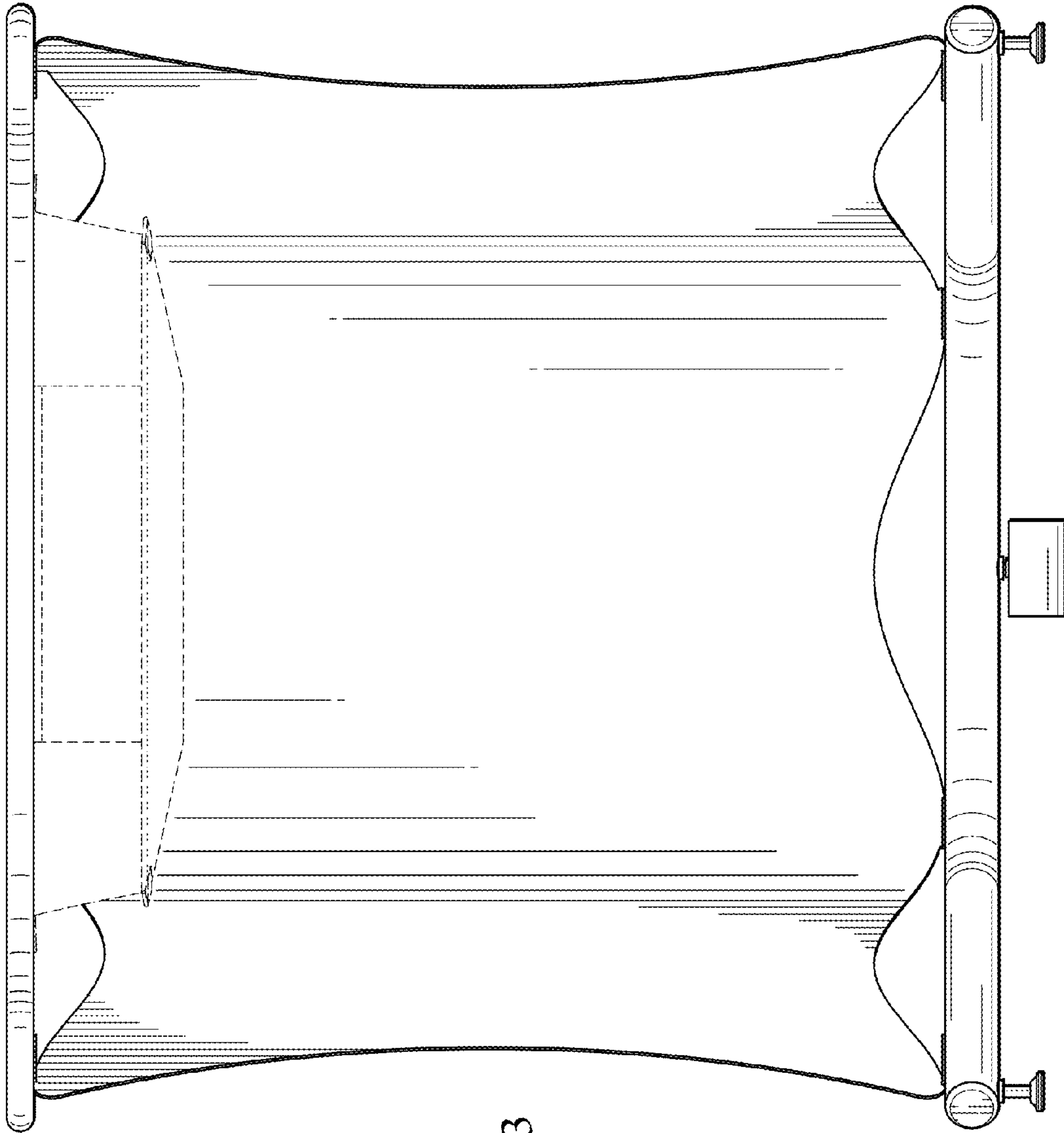


FIG. 3

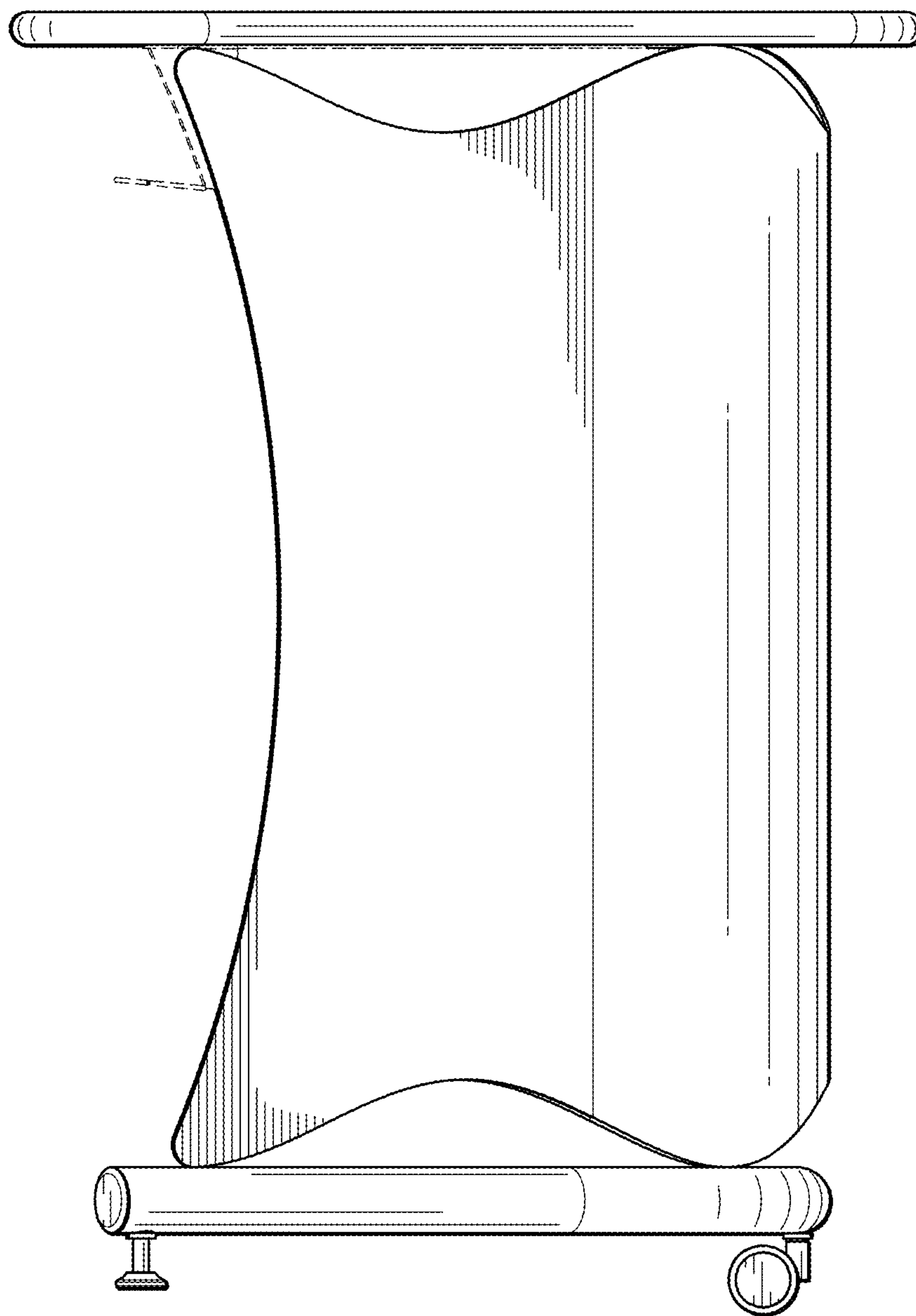


FIG. 4



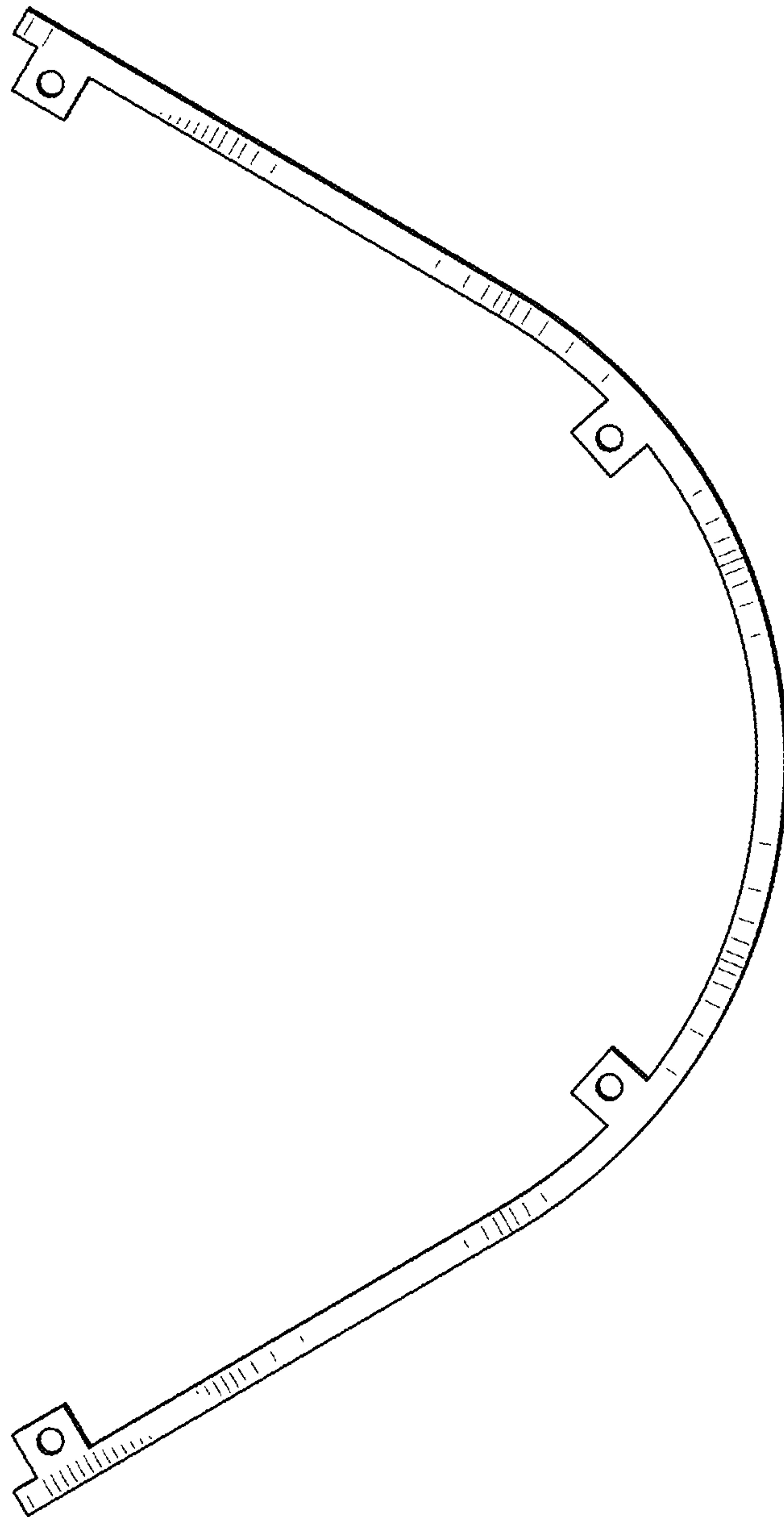


FIG. 5

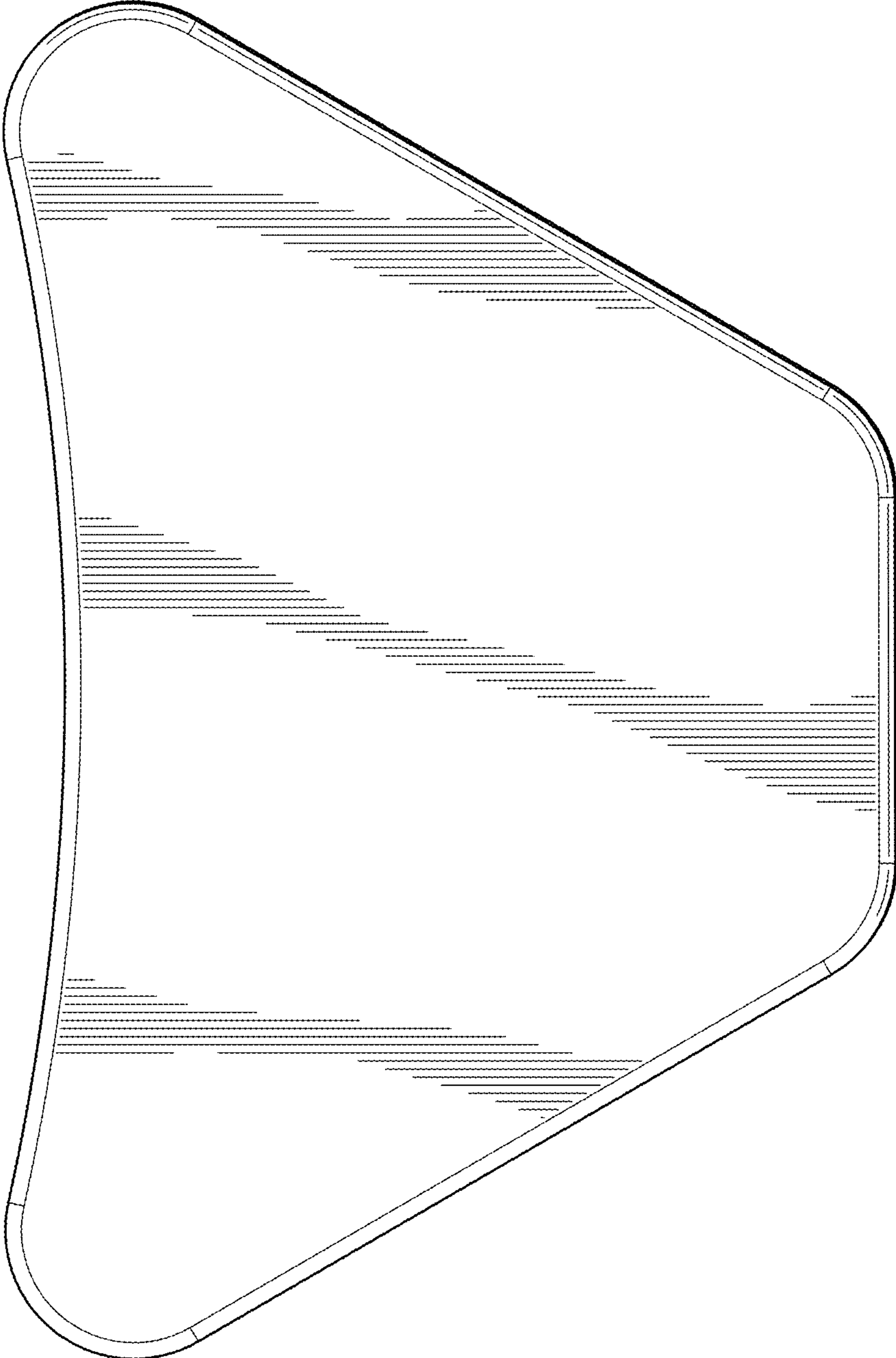


FIG. 6

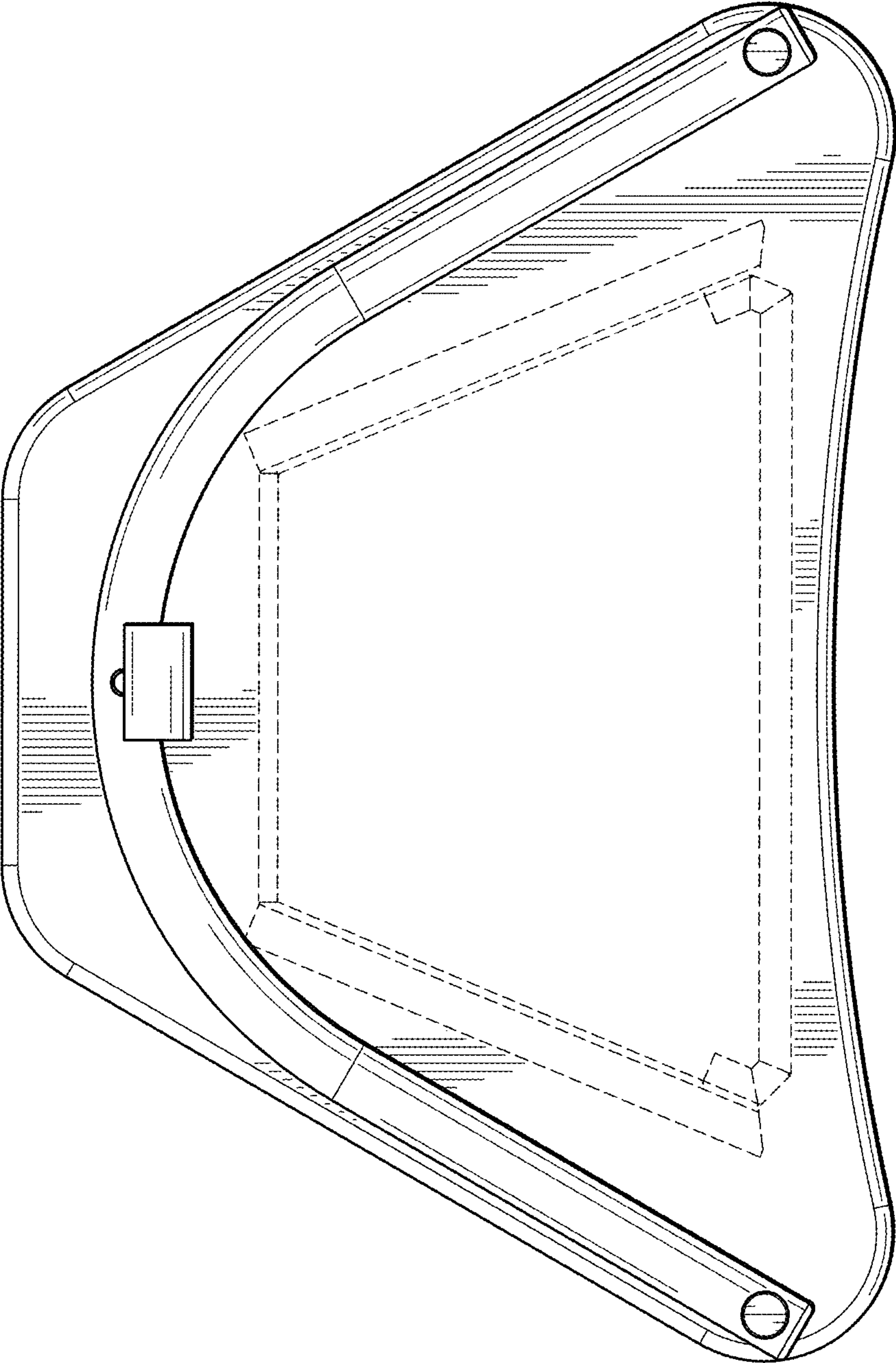


FIG. 7



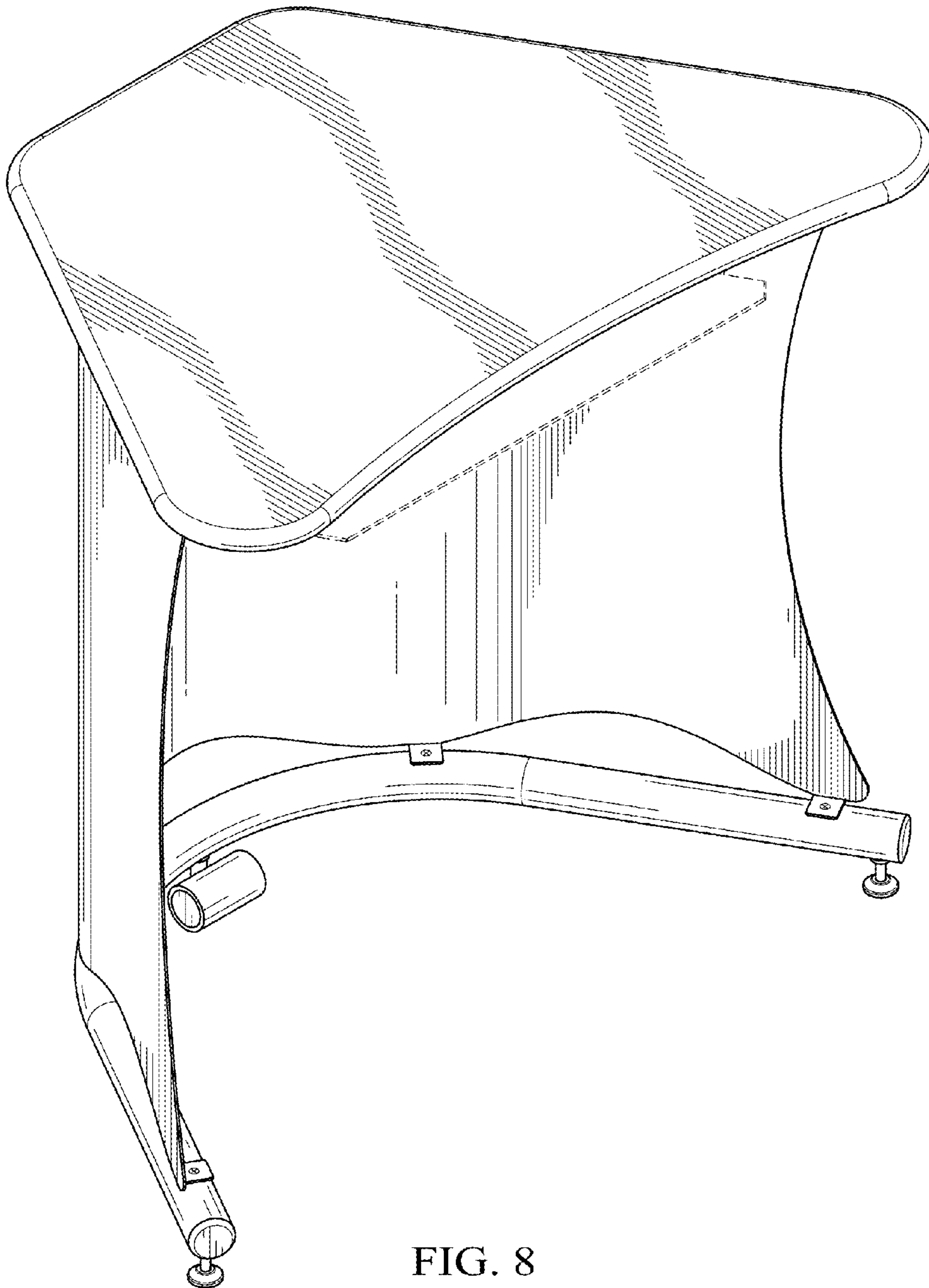


FIG. 8

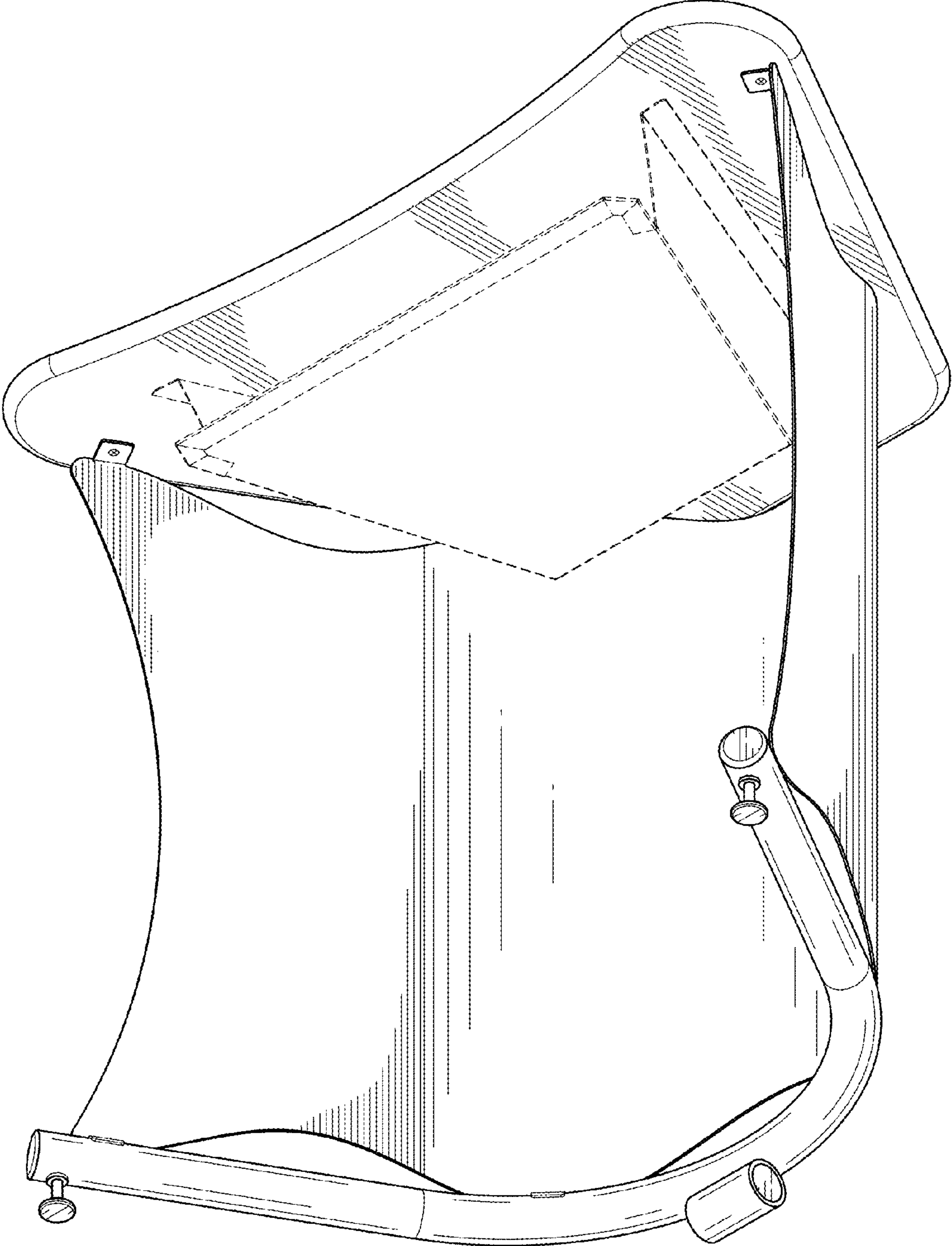
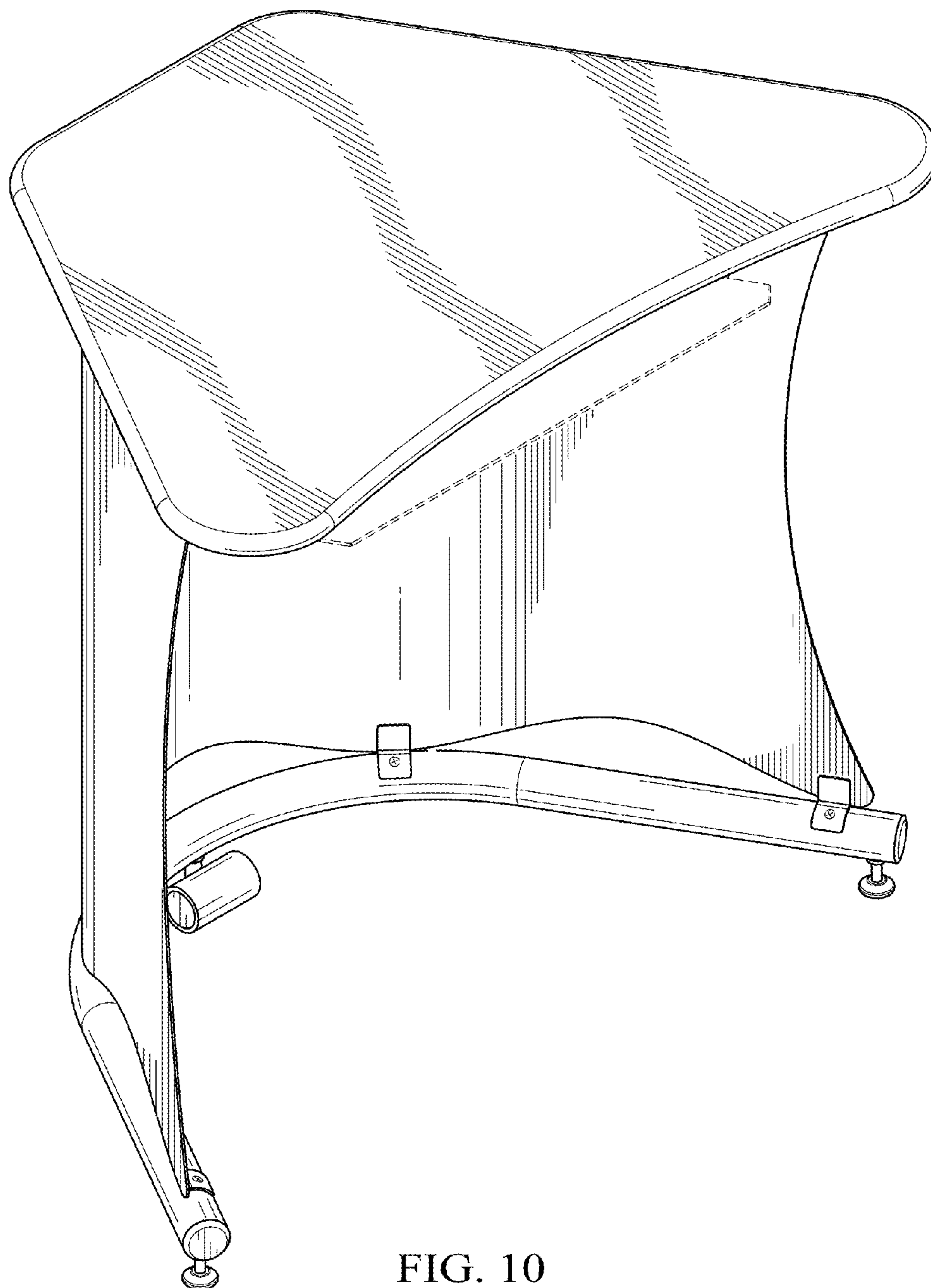


FIG. 9



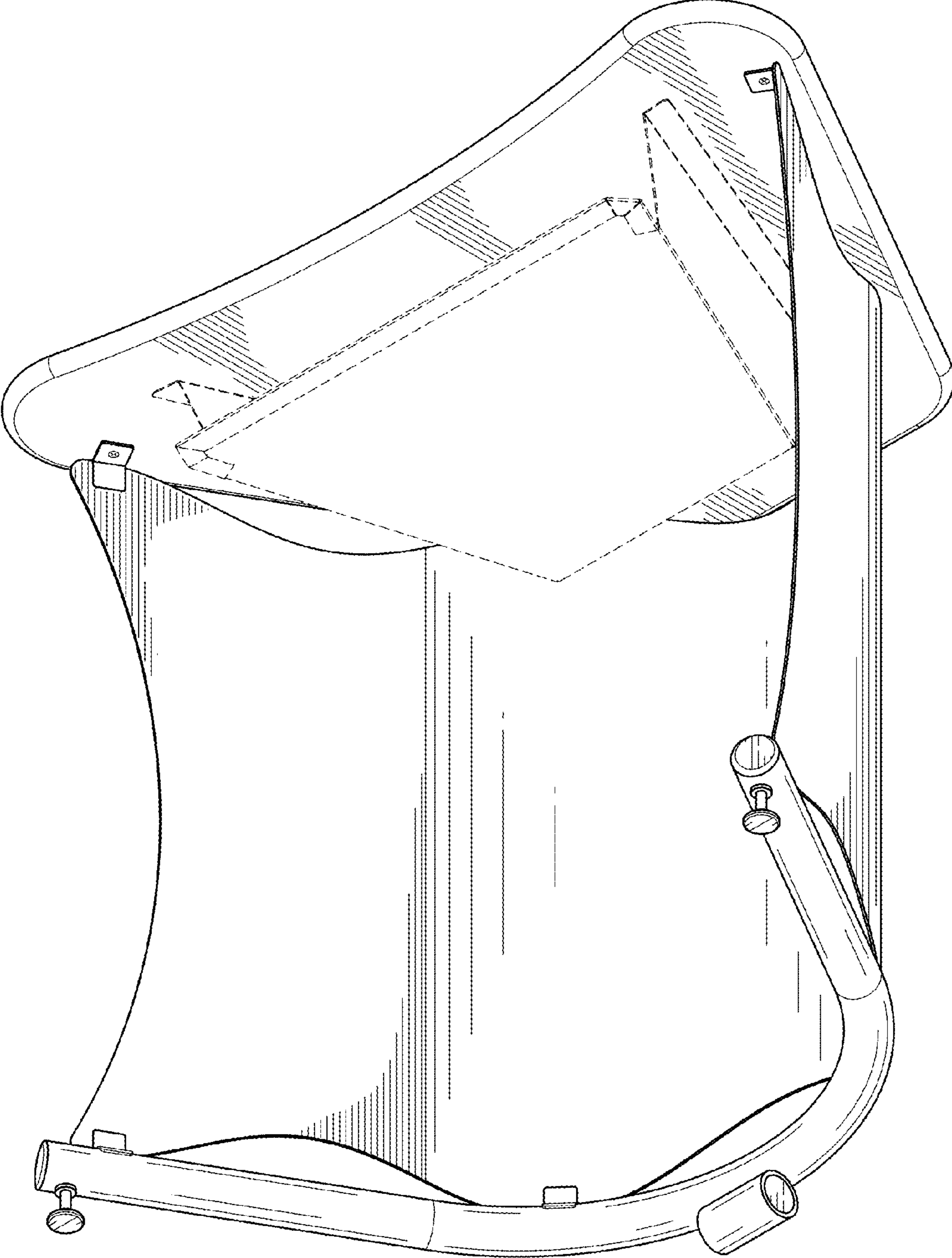


FIG. 11