

US00D702968S

(12) **United States Design Patent**
Smith

(10) **Patent No.:** **US D702,968 S**

(45) **Date of Patent:** **** Apr. 22, 2014**

(54) **BASEBALL AND SOFTBALL UTILITY CADDY**

(71) Applicant: **Bryan Smith**, Pinetop, AZ (US)

(72) Inventor: **Bryan Smith**, Pinetop, AZ (US)

(**) Term: **14 Years**

(21) Appl. No.: **29/459,655**

(22) Filed: **Jul. 2, 2013**

(51) **LOC (10) Cl.** **08-08**

(52) **U.S. Cl.**
USPC **D6/552**

(58) **Field of Classification Search**
USPC D3/304, 306; 206/202, 513, 557;
211/13.1, 41.3, 41.4, 86.01, 88.01,
211/134, 126.1, 181.1; 248/302; 220/485,
220/488; D6/512-514, 524-525, 566, 552
See application file for complete search history.

(56) **References Cited**

U.S. PATENT DOCUMENTS

- | | | | | |
|-----------|-----|---------|-----------------|--------------|
| 3,876,223 | A | 4/1975 | O'Reilly et al. | |
| D340,565 | S | 10/1993 | Klopfenstein | |
| 6,663,119 | B2 | 12/2003 | White | |
| 6,719,306 | B2 | 4/2004 | White | |
| 7,025,363 | B1 | 4/2006 | Leight | |
| D547,098 | S * | 7/2007 | Goodman et al. | D6/566 |

- | | | | | |
|--------------|-----|---------|---------------|--------------|
| 7,823,893 | B2 | 11/2010 | Meyers et al. | |
| D631,274 | S * | 1/2011 | Yelencich | D6/552 |
| D662,746 | S * | 7/2012 | Conville | D6/552 |
| 8,317,219 | B2 | 11/2012 | Bruce | |
| 2012/0211970 | A1 | 8/2012 | Saito et al. | |

* cited by examiner

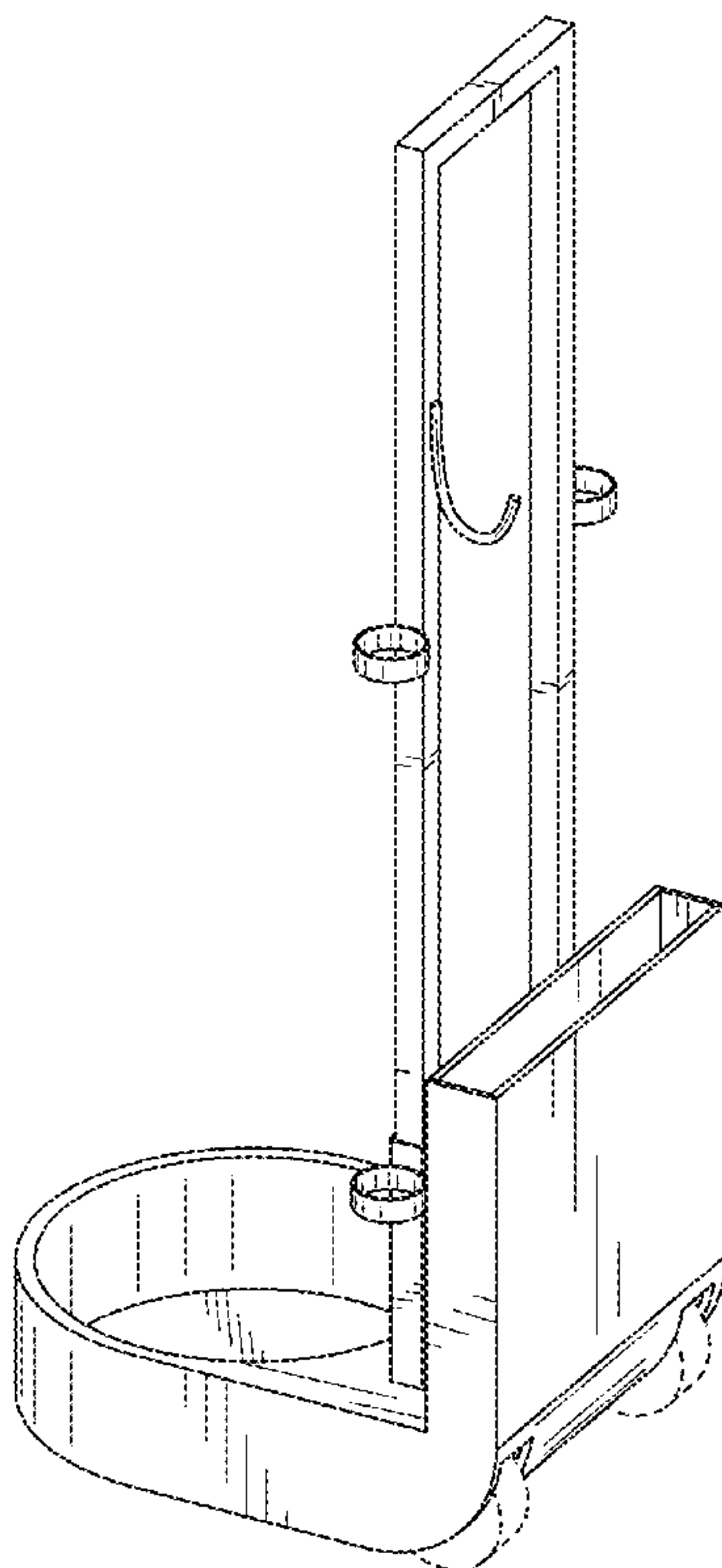
Primary Examiner — Brian N Vinson
(74) *Attorney, Agent, or Firm* — Robert C. Montgomery;
Montgomery Patent & Design

(57) **CLAIM**
The ornamental design for a baseball and softball utility caddy, as shown and described.

DESCRIPTION

FIG. 1 is an isometric view of a baseball and softball utility caddy;
FIG. 2 is front view thereof;
FIG. 3 is a rear view thereof;
FIG. 4 is a left-hand side view thereof, wherein a right-hand side view is a mirror image of the left-hand side view;
FIG. 5 is a top view thereof;
FIG. 6 is a bottom view thereof; and,
FIG. 7 is another isometric view of a baseball and softball utility caddy showing wheels in the environment for illustration.
The broken lines shown in the drawings illustrate the environment of the article and form no part of the claimed design.

1 Claim, 6 Drawing Sheets



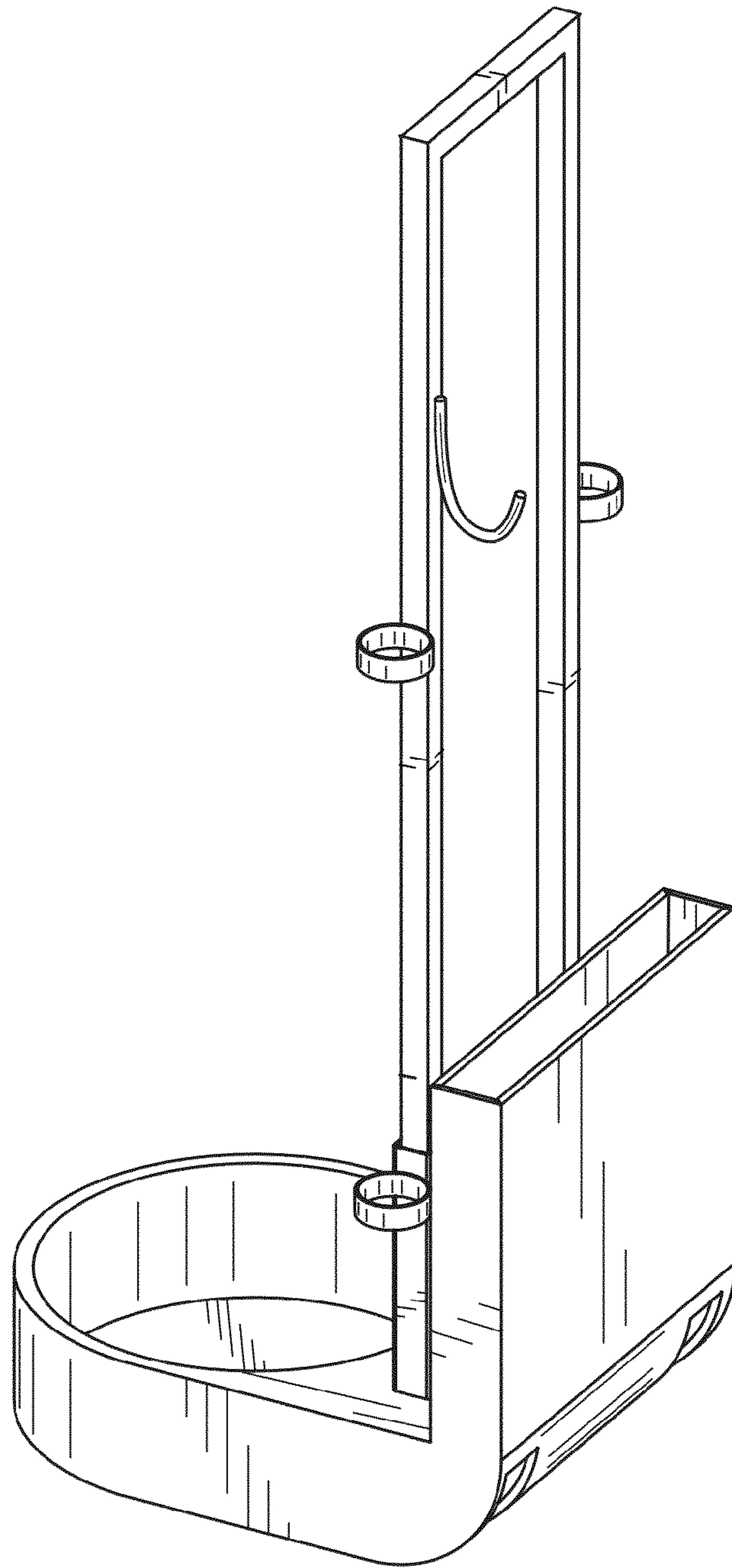


Fig. 1

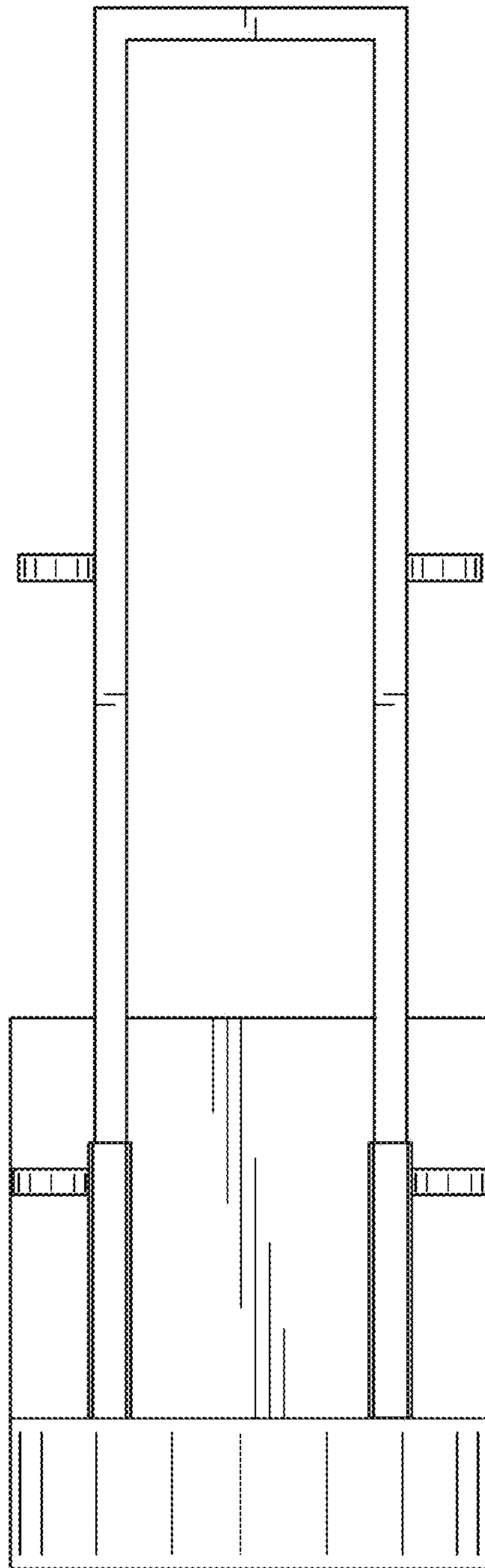


Fig. 2

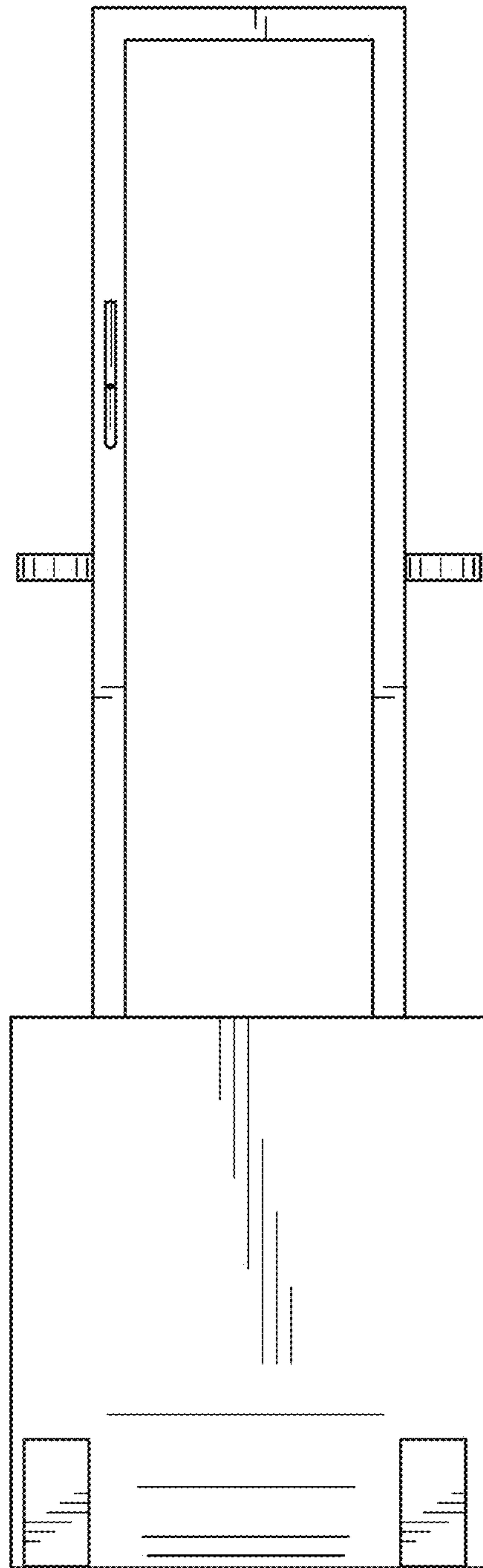


Fig. 3

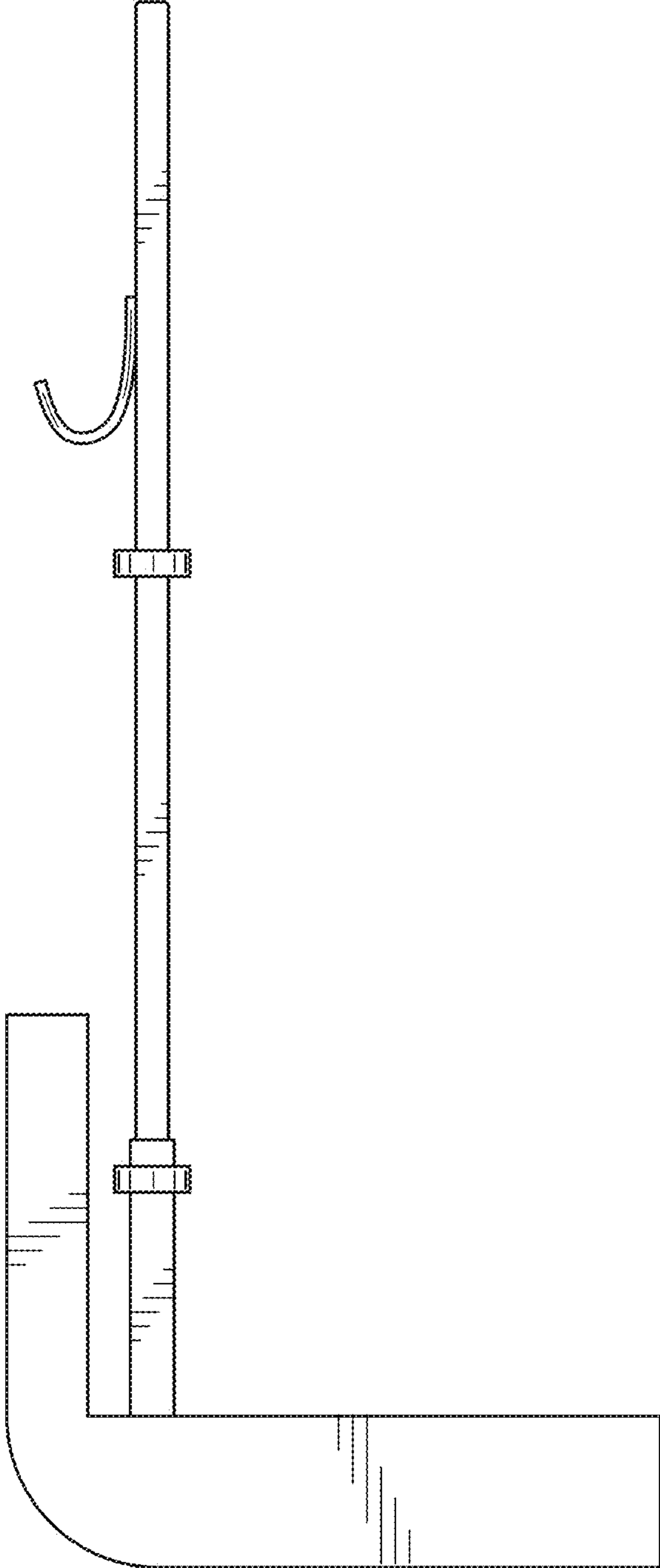


Fig. 4

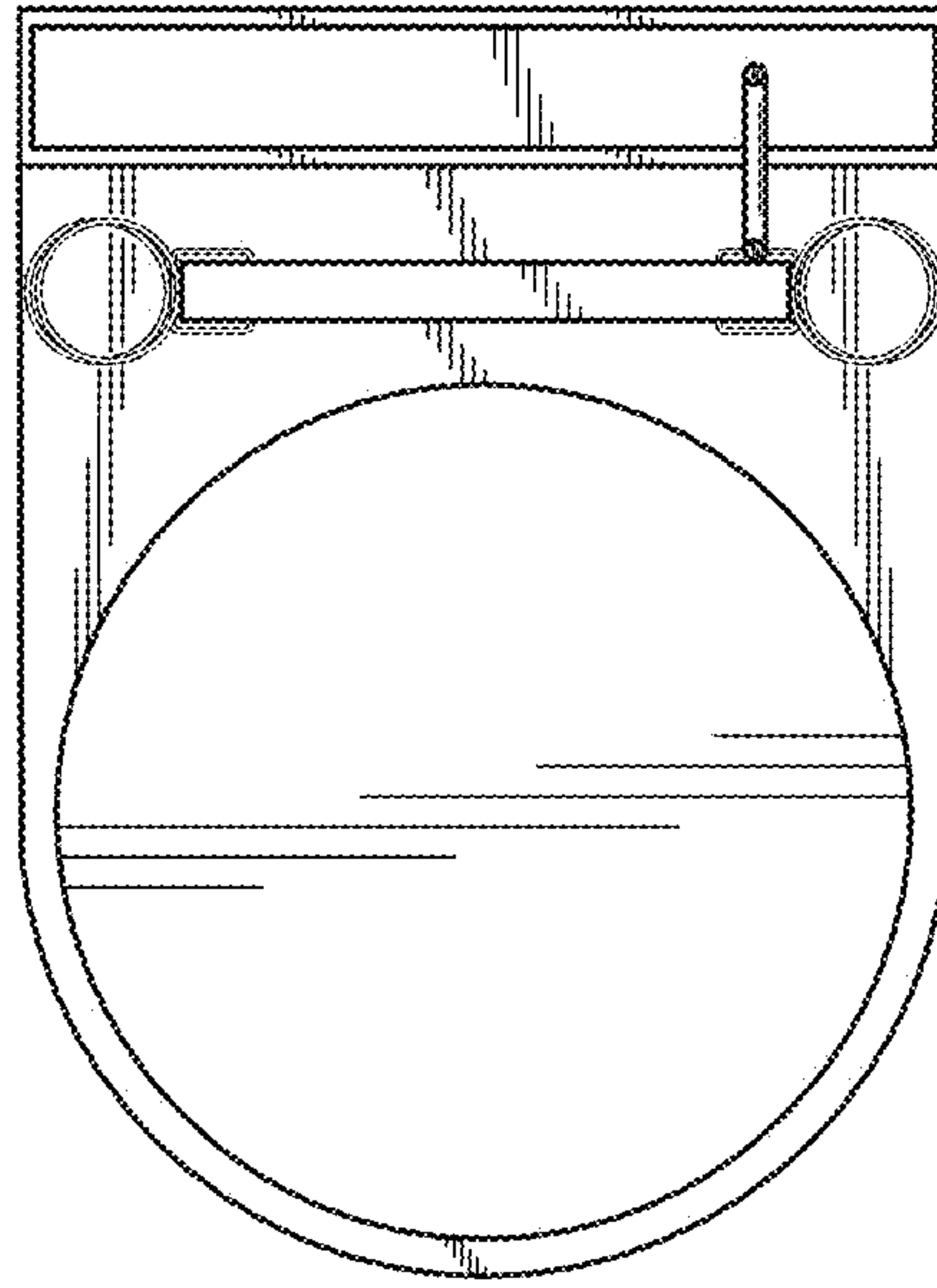


Fig. 5

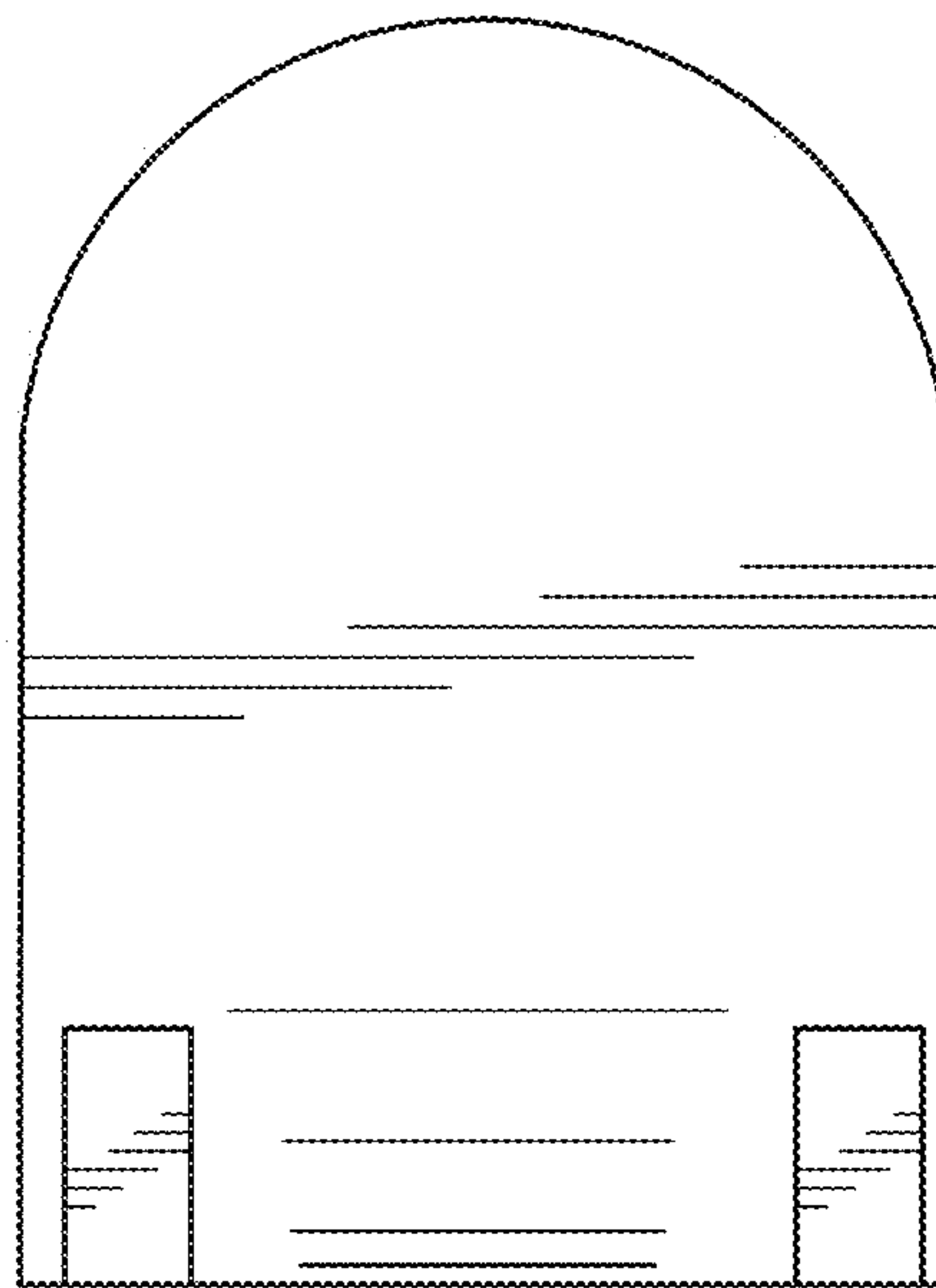


Fig. 6

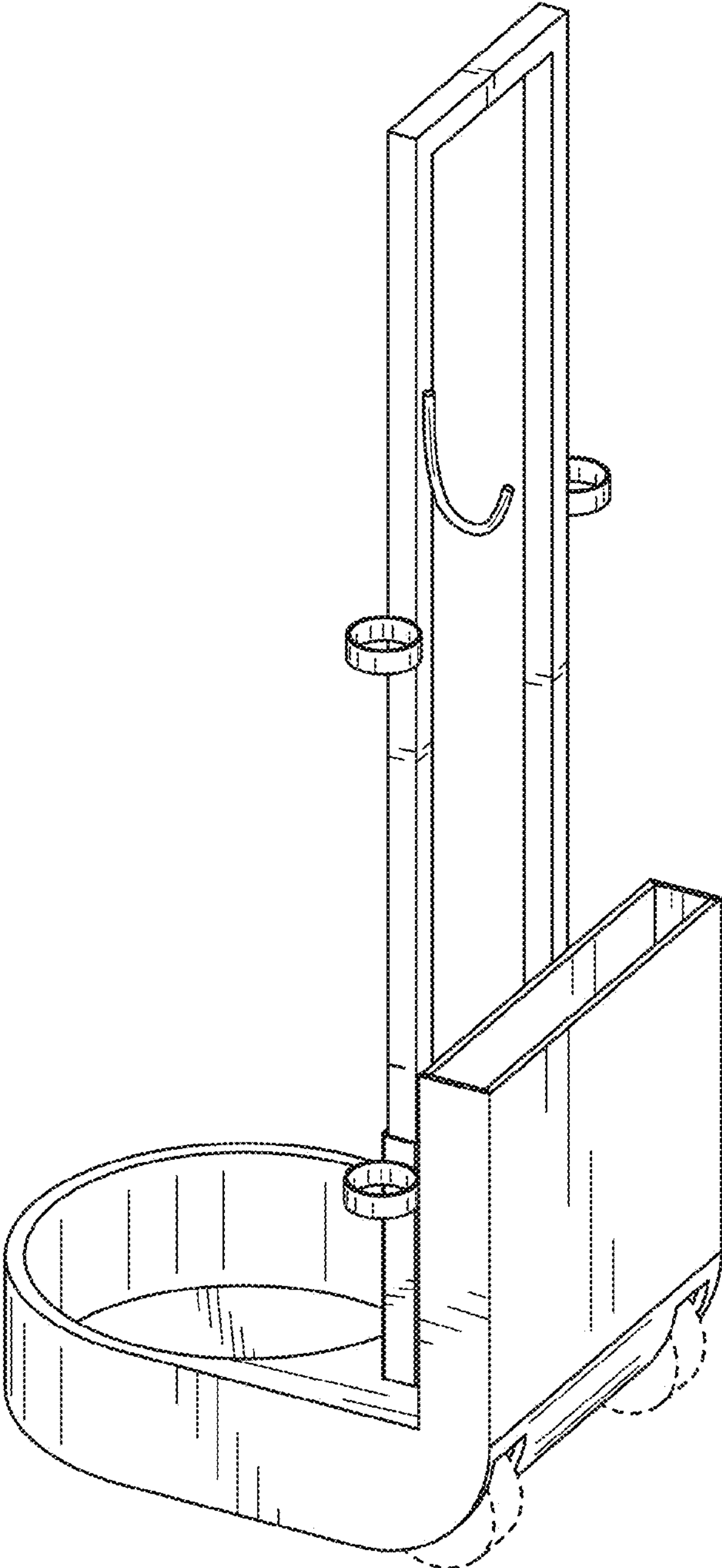


Fig. 7