



US00D702966S

(12) **United States Design Patent**
Hocker, Sr.

(10) **Patent No.:** **US D702,966 S**
(45) **Date of Patent:** **** Apr. 22, 2014**

(54) **DECORATIVE PAPER TOWEL HOLDER**

7,530,525 B2 5/2009 Yang et al.
D596,433 S * 7/2009 Brewster D6/521
D610,382 S * 2/2010 Yang et al. D6/521

(71) Applicant: **Charles R. Hocker, Sr.**, Greenville, OH
(US)

* cited by examiner

(72) Inventor: **Charles R. Hocker, Sr.**, Greenville, OH
(US)

Primary Examiner — Brian N Vinson
(74) *Attorney, Agent, or Firm* — Robert C. Montgomery;
Montgomery Patent & Design

(**) Term: **14 Years**

(57) **CLAIM**
The ornamental design for a decorative paper towel holder, as shown and described.

(21) Appl. No.: **29/467,597**

DESCRIPTION

(22) Filed: **Sep. 20, 2013**

(51) **LOC (10) Cl.** **20-02**

(52) **U.S. Cl.**
USPC **D6/521**

(58) **Field of Classification Search**
USPC D6/518-523; 206/389, 391; 211/13.1,
211/59.1, 45, 890.1; 242/570, 590, 597.7;
248/309.1, 309.2
See application file for complete search history.

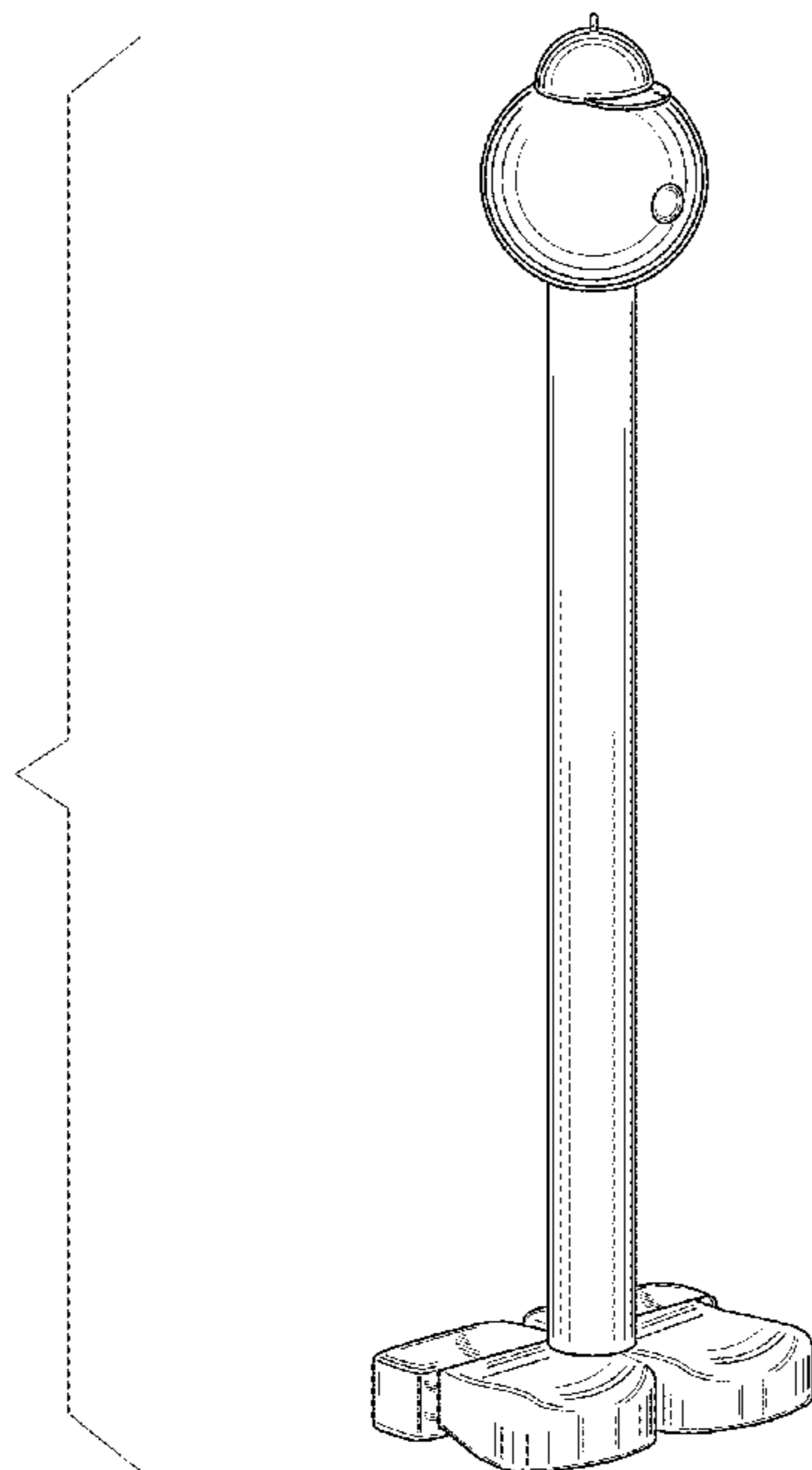
FIG. 1 is an isometric view of a decorative paper towel holder showing a stand portion and a top portion in juxtaposition, wherein the broken line represents an aperture as part of the environment;
FIG. 2 is a front view of the stand portion of the decorative paper towel holder;
FIG. 3 is a rear view of FIG. 2;
FIG. 4 is a left-hand side view of FIG. 2, wherein a right-hand side view is a mirror image of the left-hand side view;
FIG. 5 is a top view of FIG. 2;
FIG. 6 is a bottom view of FIG. 2;
FIG. 7 is a front view of a the top portion of the decorative paper towel holder;
FIG. 8 is a rear view of FIG. 7;
FIG. 9 is a left-hand side view of FIG. 7, wherein a right-hand side view is a mirror image of the left-hand side view;
FIG. 10 is a top view of FIG. 7;
FIG. 11 is a bottom view of FIG. 7; and,
FIG. 12 is another isometric view of the decorative paper towel holder, having each portion compiled together for illustration.
The broken lines shown in the drawings illustrate the environment of the article and form no part of the claimed design.

(56) **References Cited**

U.S. PATENT DOCUMENTS

4,012,007	A	3/1977	Cunningham	
4,487,376	A	12/1984	Compton	
D283,095	S	3/1986	Compton	
4,720,053	A	1/1988	Vance	
D359,642	S	6/1995	Ahern, Jr.	
6,302,348	B1	10/2001	Lillelund et al.	
6,478,246	B2	11/2002	Fahringer	
D489,558	S *	5/2004	Snell	D6/521
D530,549	S *	10/2006	Yang et al.	D6/521
D550,488	S *	9/2007	Nip et al.	D6/521

1 Claim, 9 Drawing Sheets



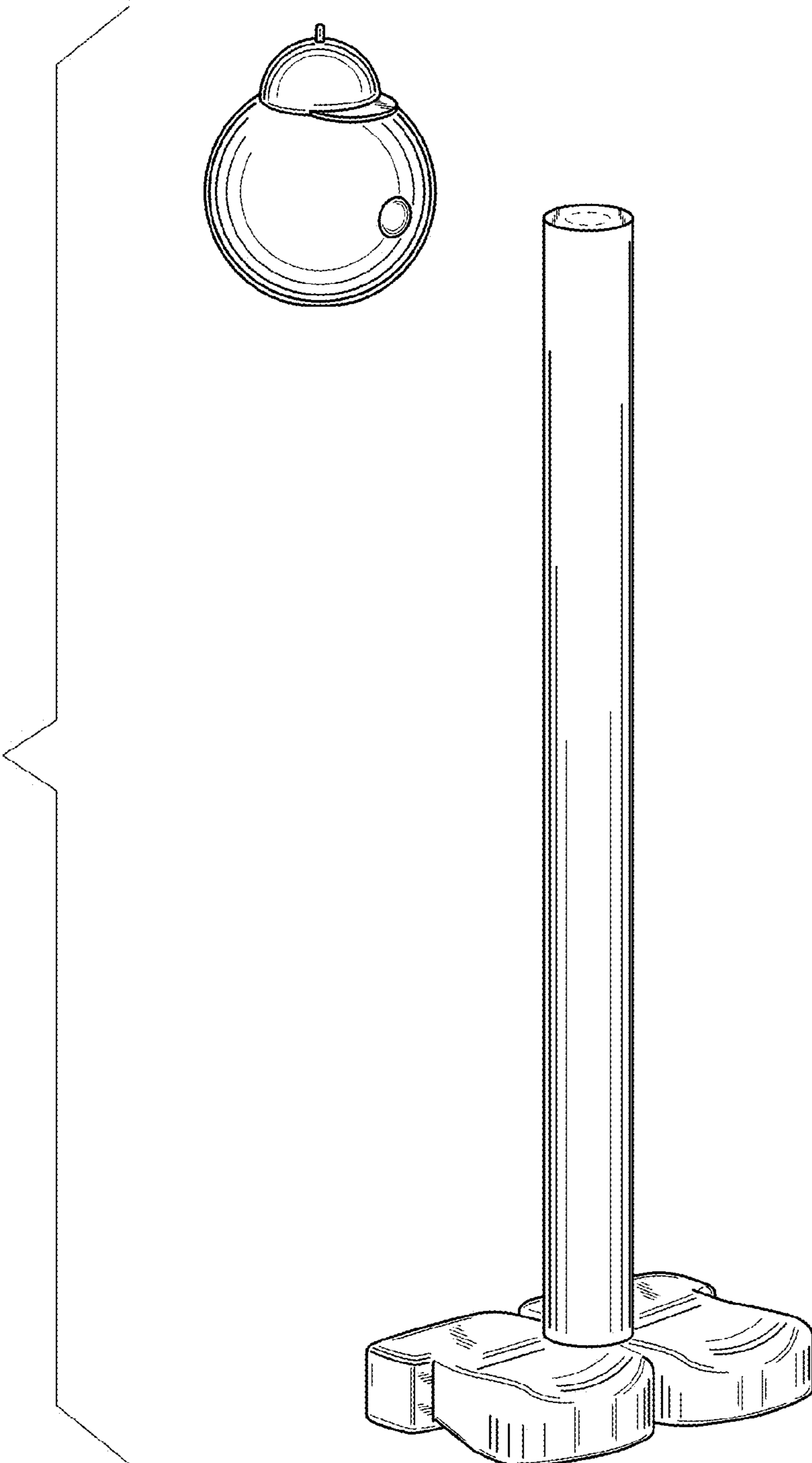


Fig. 1

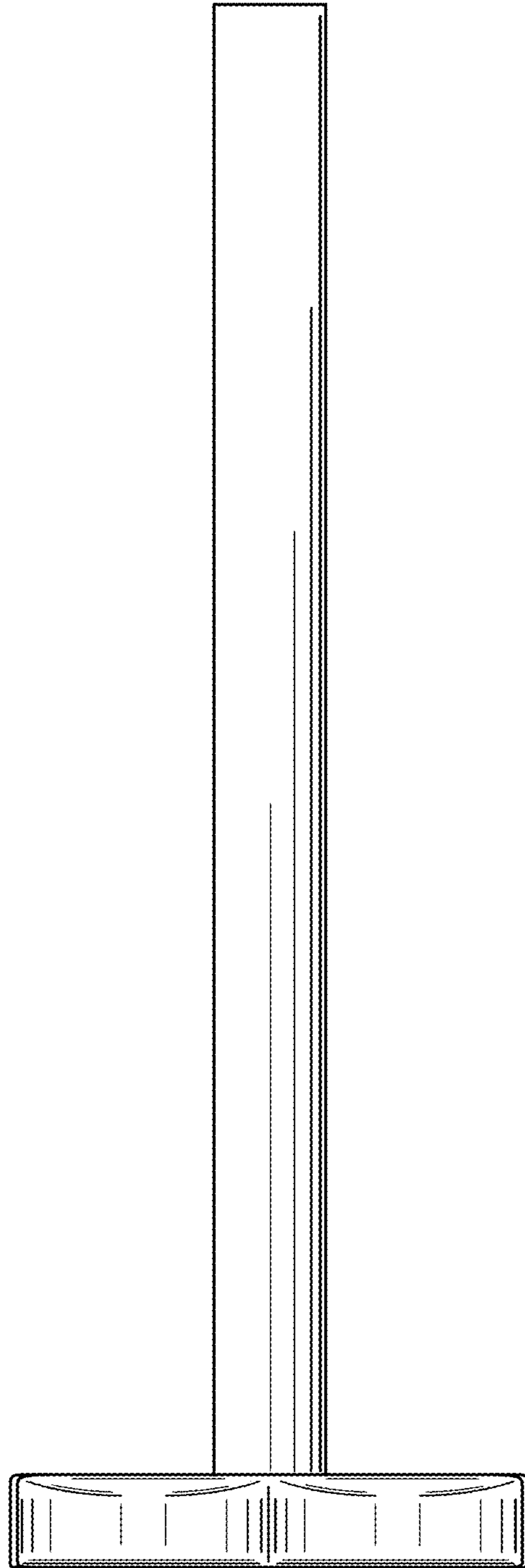


Fig. 2

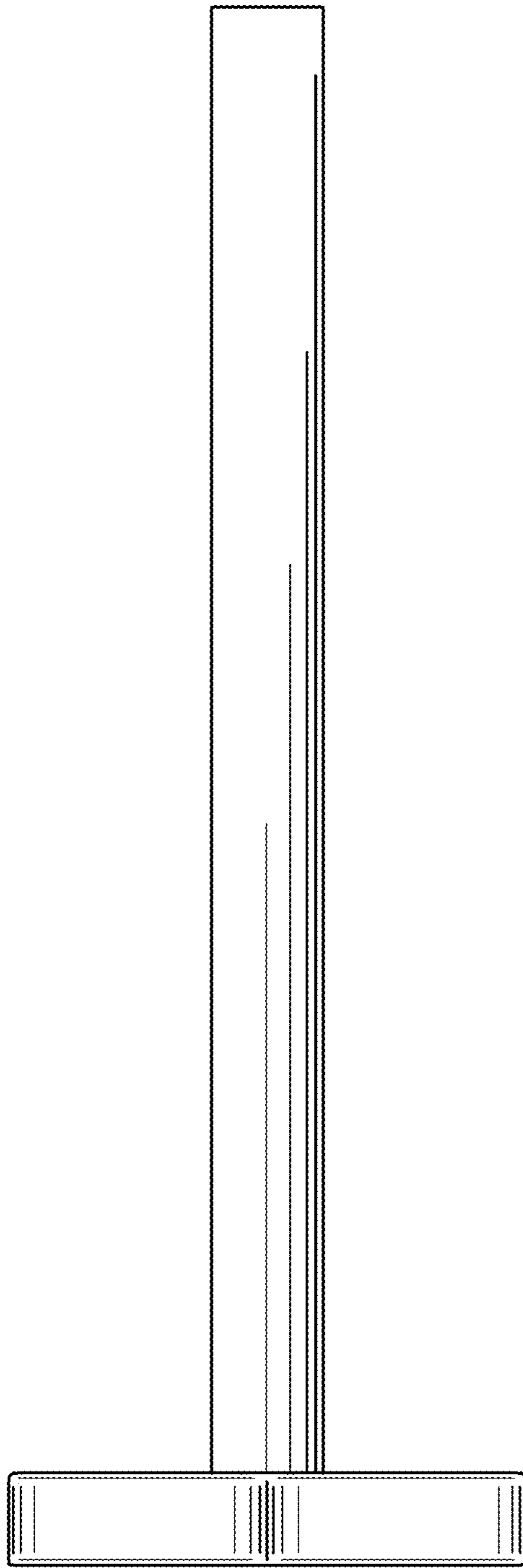


Fig. 3

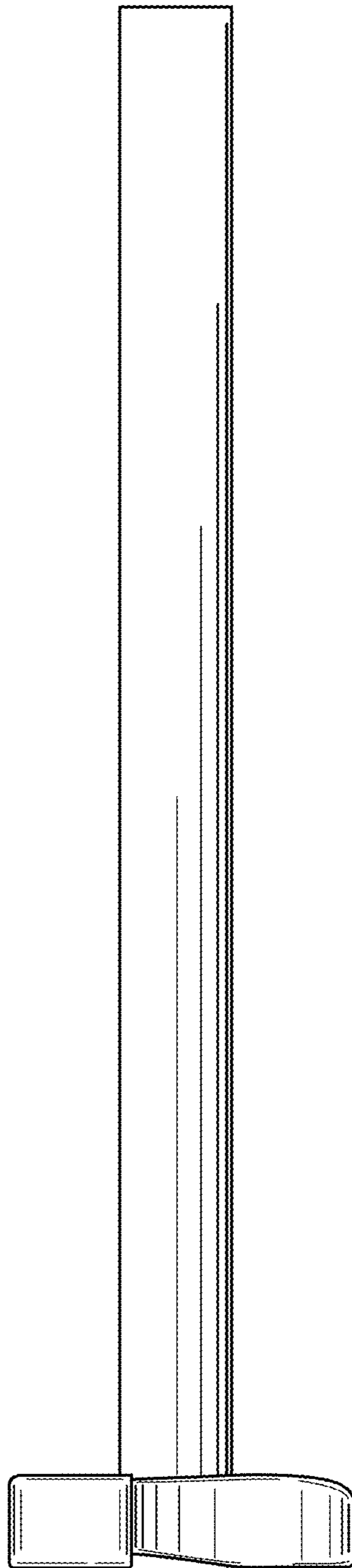


Fig. 4

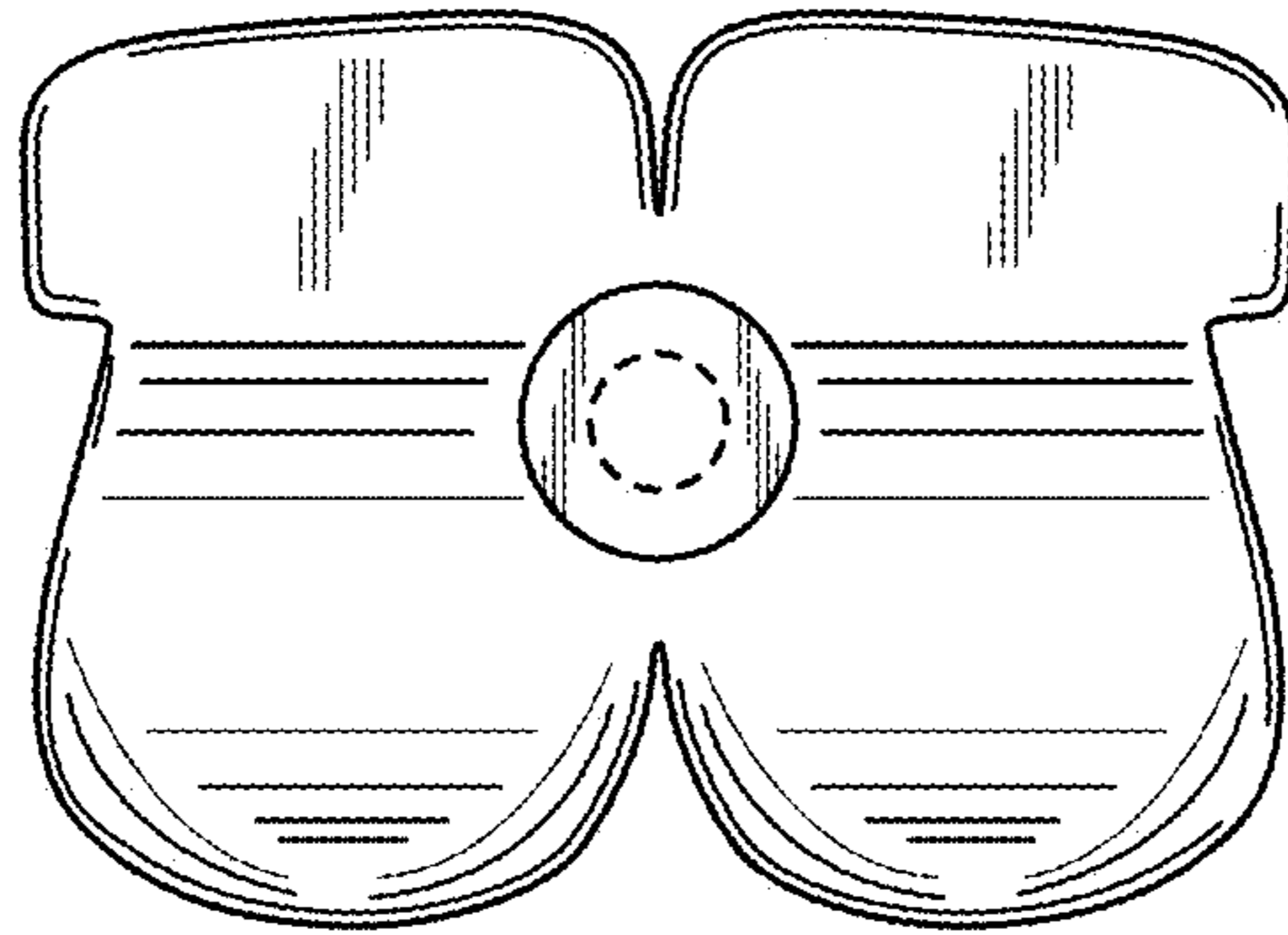


Fig. 5

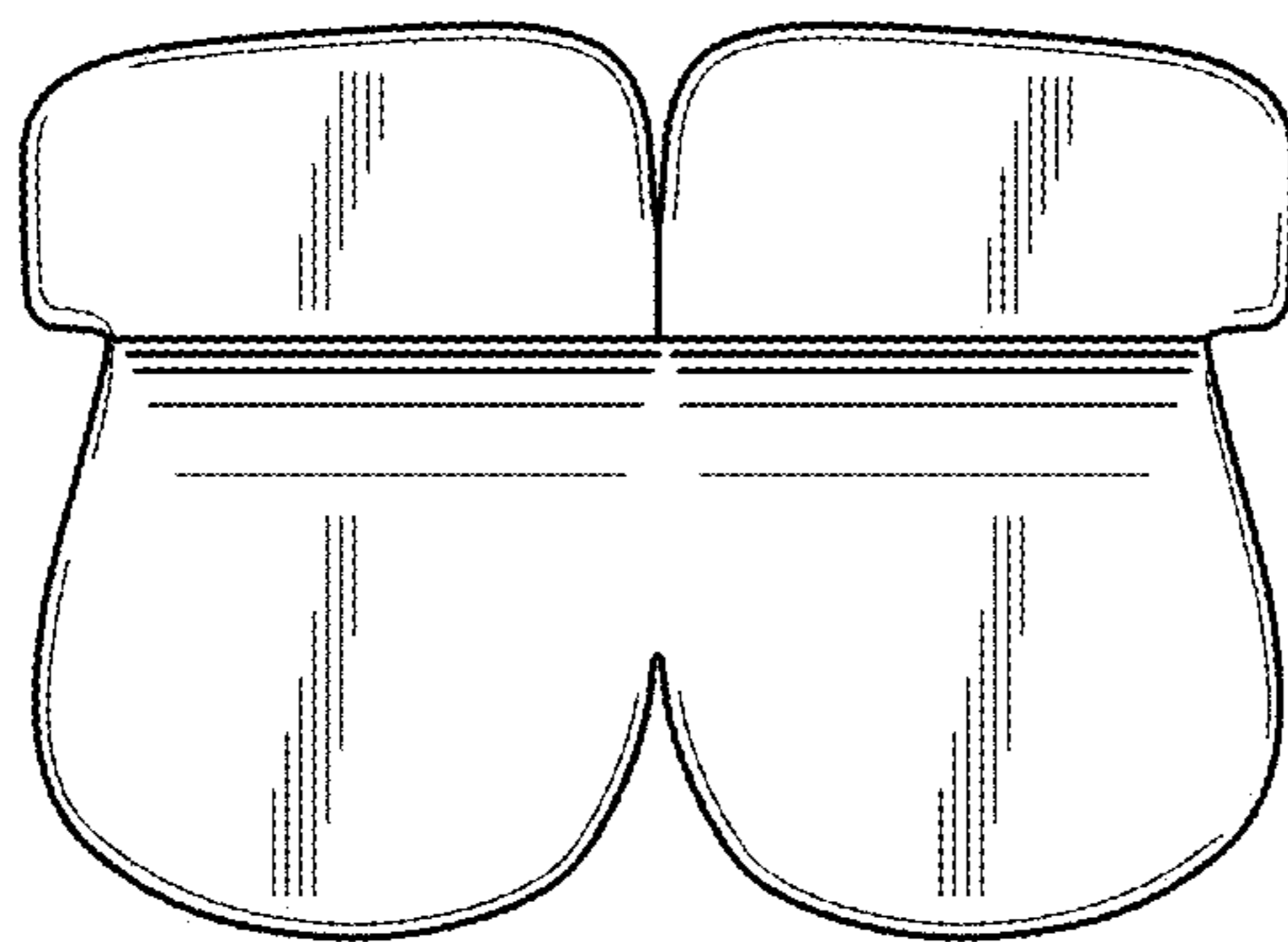


Fig. 6

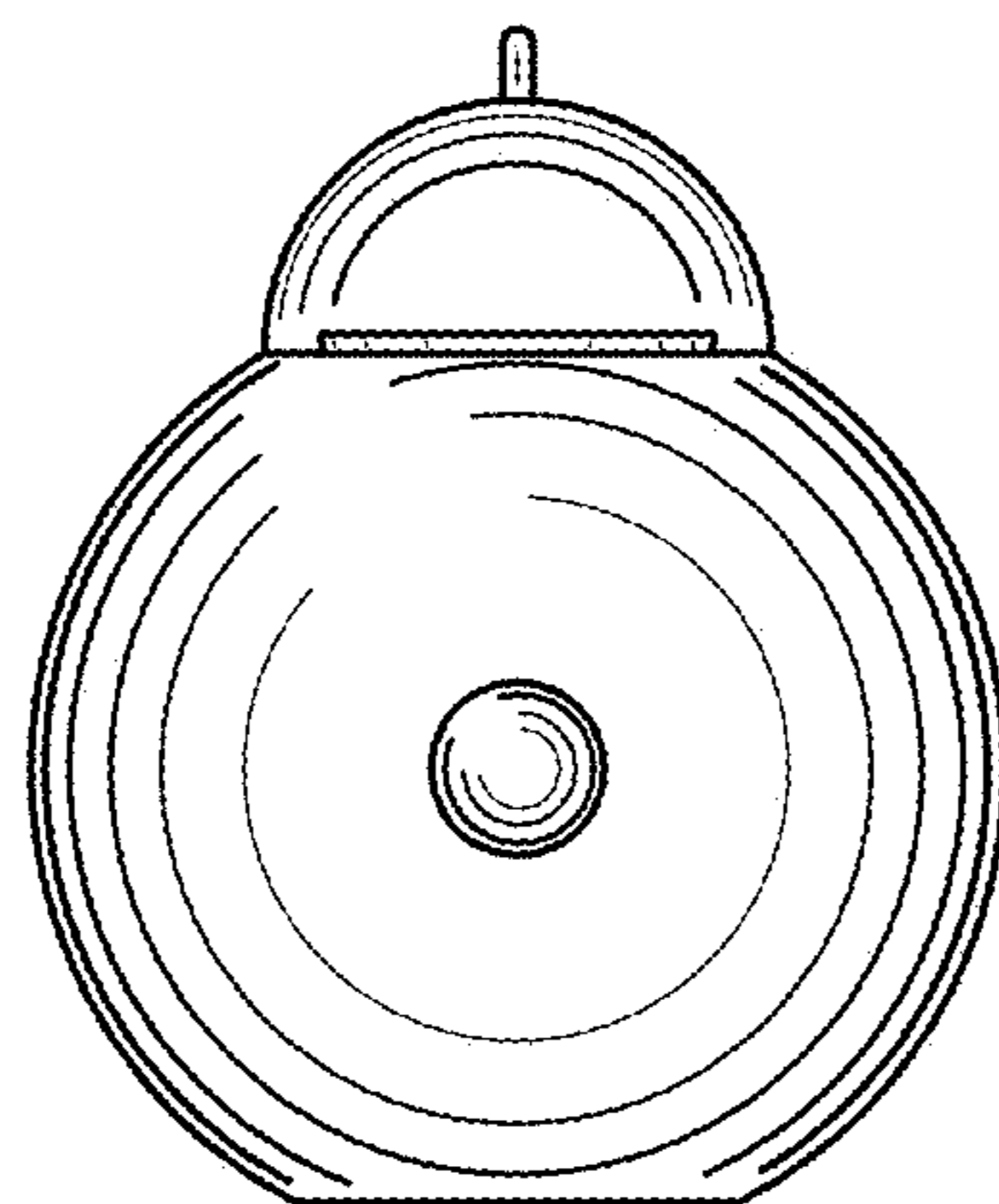


Fig. 7

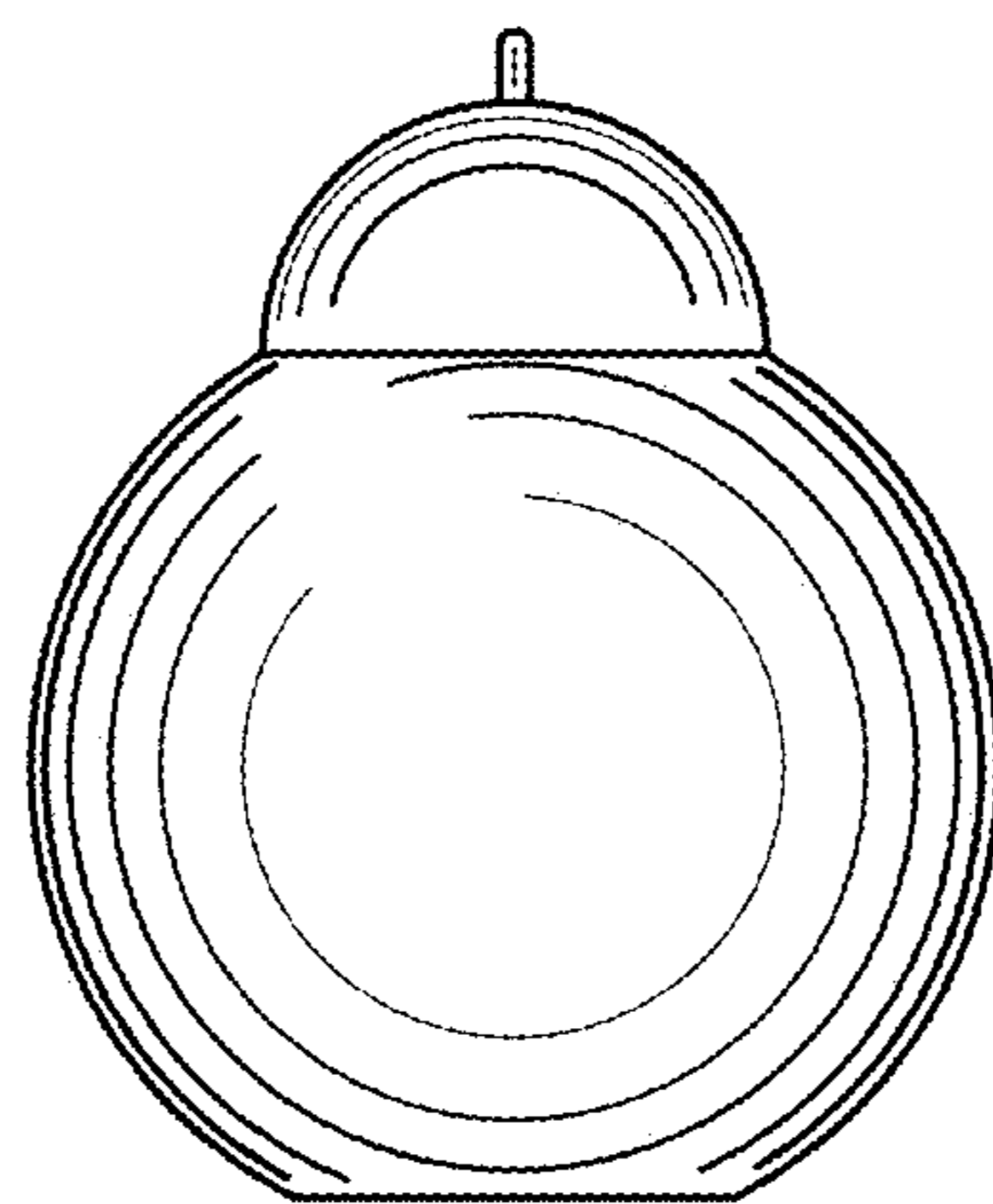


Fig. 8

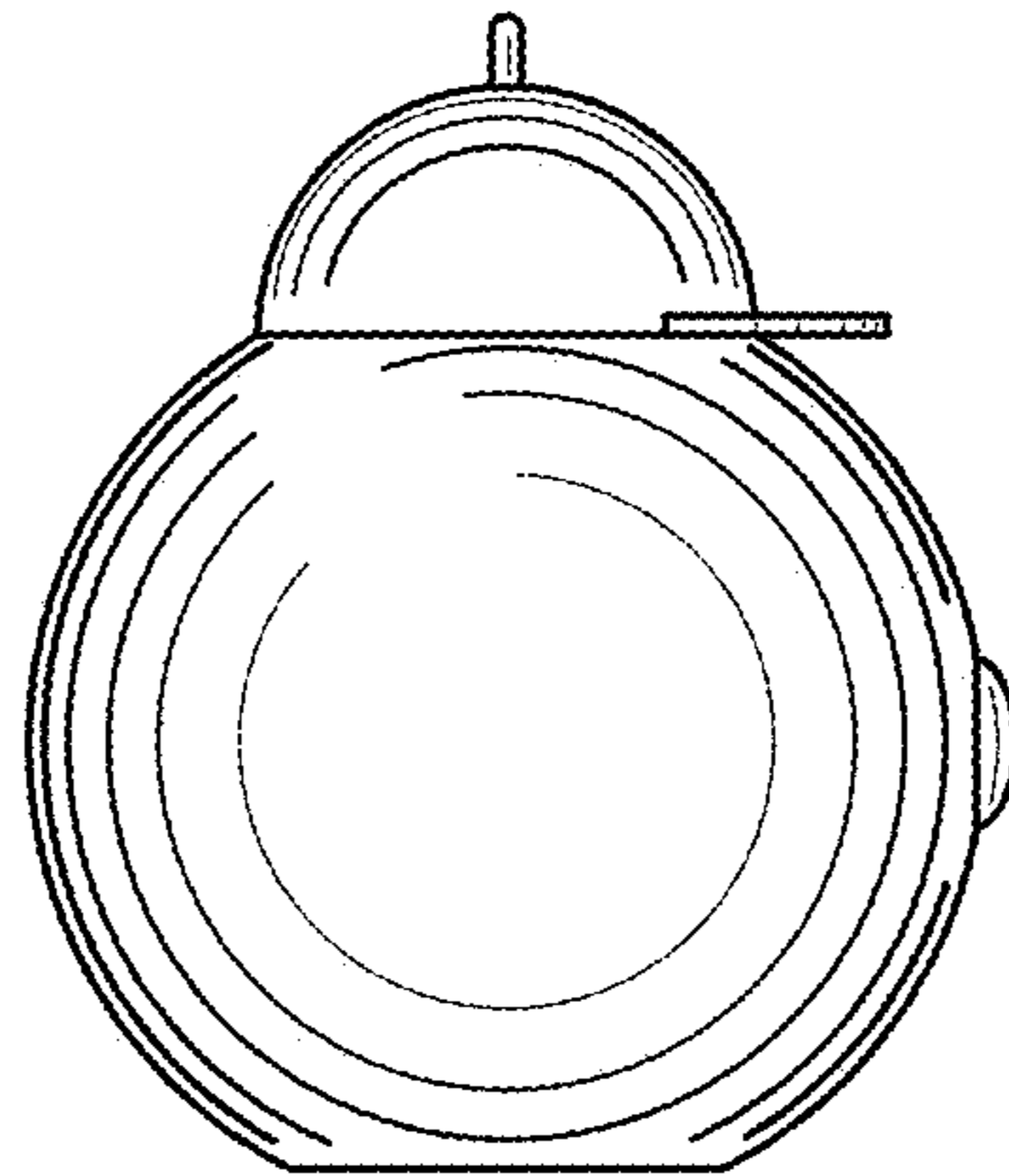


Fig. 9

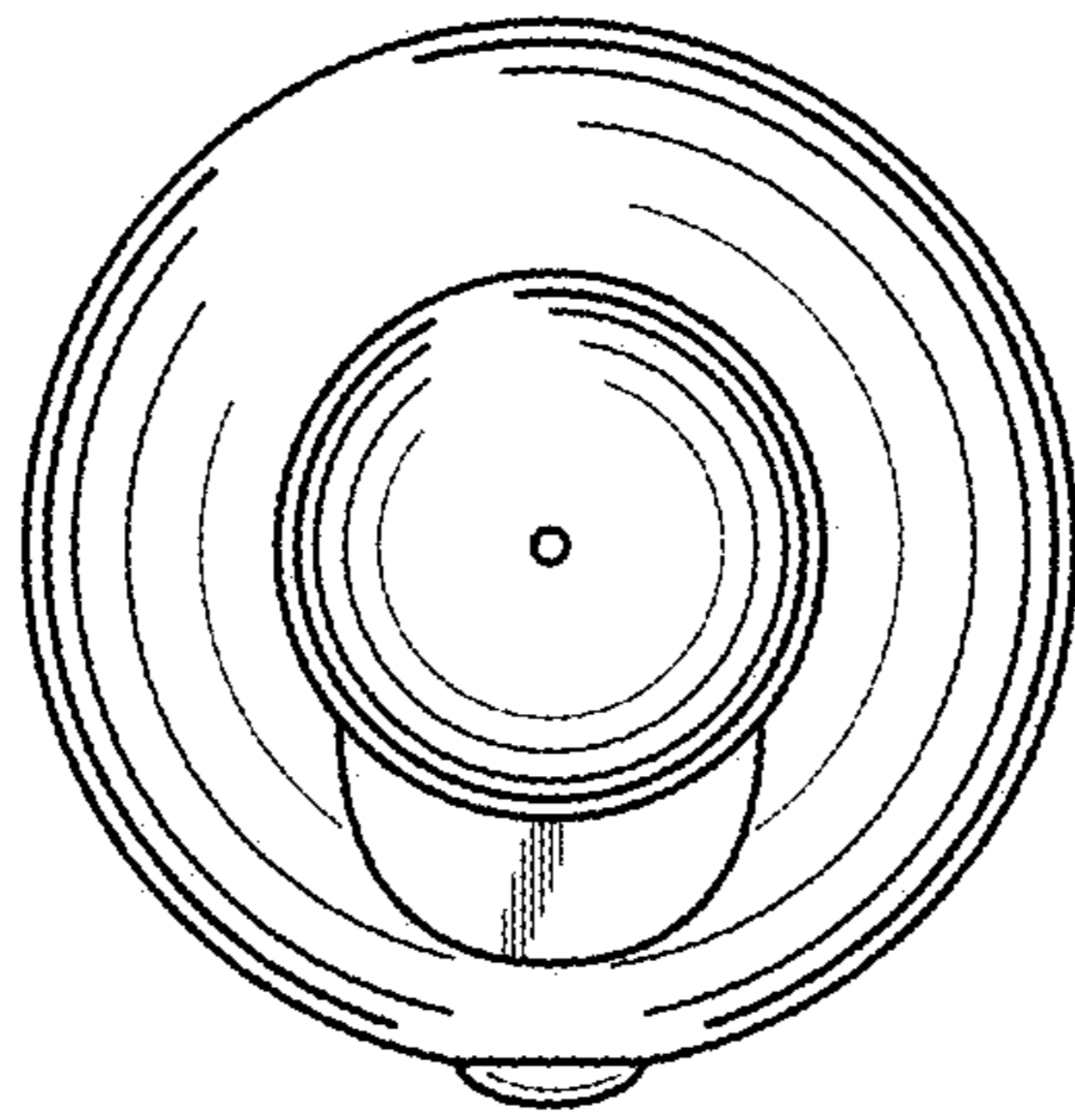


Fig. 10

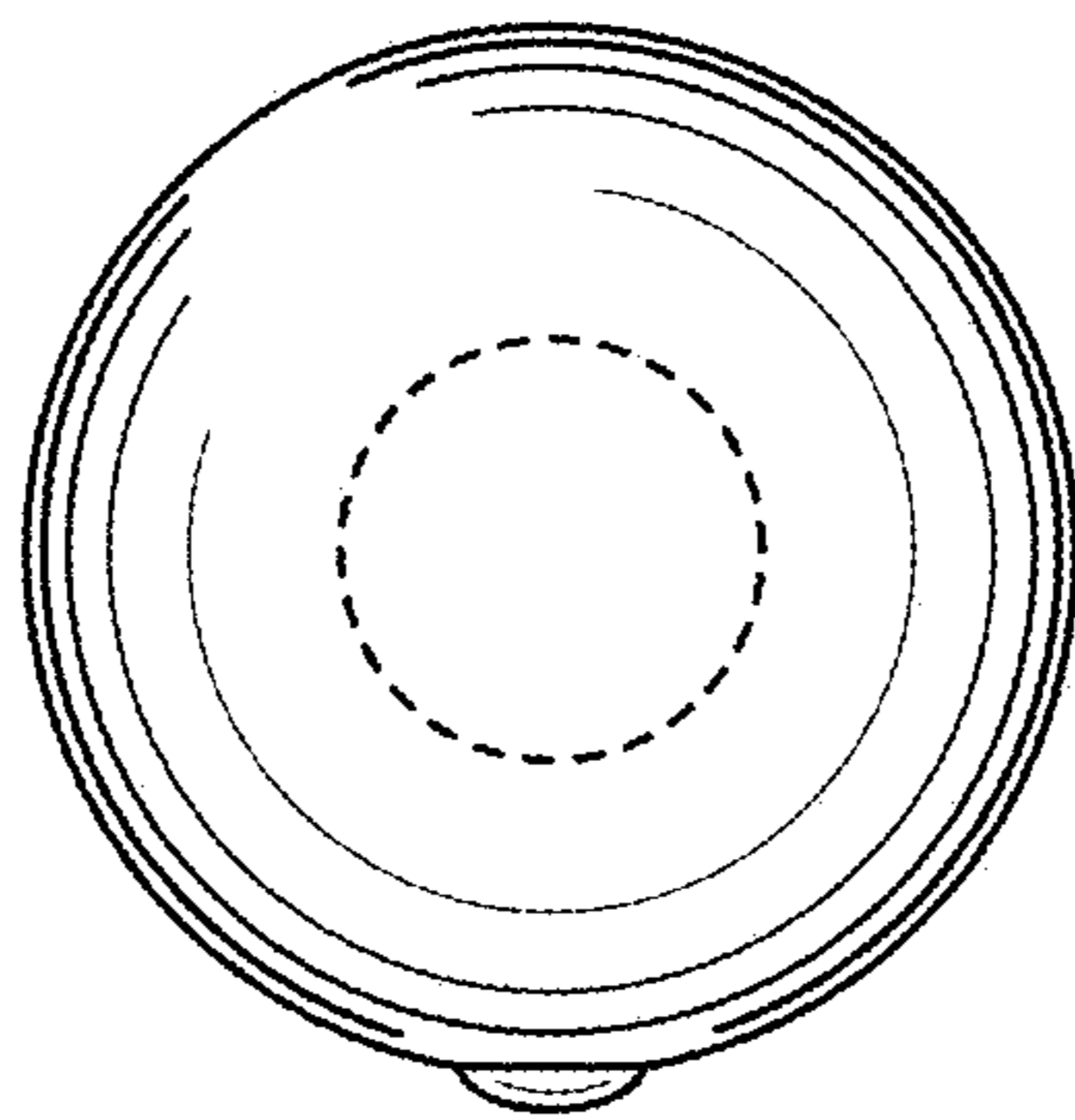


Fig. 11

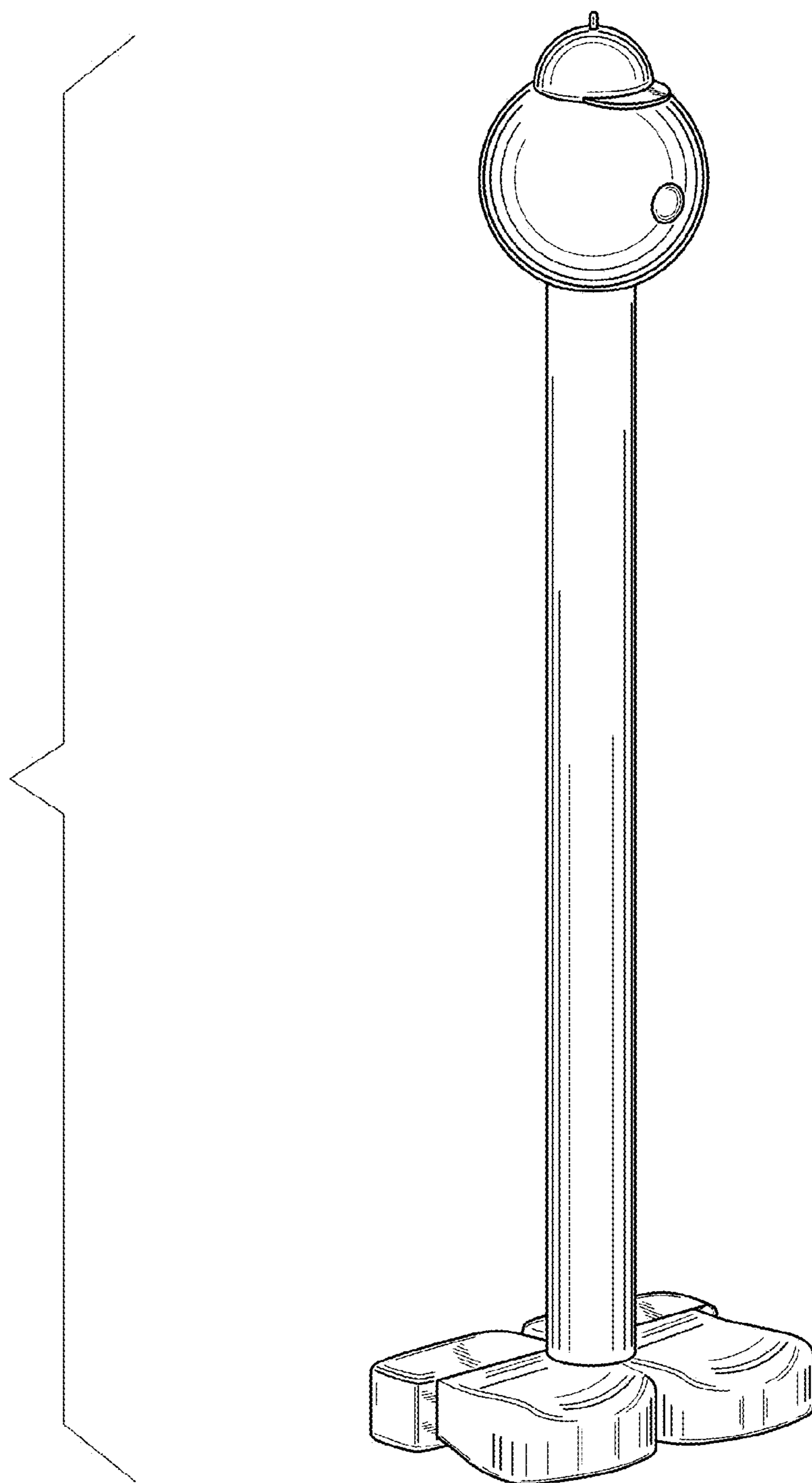


Fig. 12