



US00D702963S

(12) **United States Design Patent**
Chavis

(10) **Patent No.:** **US D702,963 S**
(45) **Date of Patent:** **** Apr. 22, 2014**

(54) **BED CADDY**

(71) Applicant: **Kenneth H. Chavis**, Marston, NC (US)

(72) Inventor: **Kenneth H. Chavis**, Marston, NC (US)

(**) Term: **14 Years**

(21) Appl. No.: **29/470,866**

(22) Filed: **Oct. 25, 2013**

(51) **LOC (10) Cl.** **06-06**

(52) **U.S. Cl.**
USPC **D6/513**

(58) **Field of Classification Search**
USPC D6/512-514, 555, 567; D3/303, 305,
D3/308, 310, 313, 316, 317, 319, 902;
206/278, 286, 289, 9, 278.1, 298,
206/315.1, 579; 211/13.1, 85.3, 113, 26.1,
211/86.01; 190/1, 104, 106, 107, 110, 111,
190/115, 11, 13 R, 9; 220/666, 912, 9.1;
248/95, 311.2, 205.1, 214

See application file for complete search history.

(56) **References Cited**

U.S. PATENT DOCUMENTS

2,490,426	A *	12/1949	Gerdeman	D6/513
3,118,399	A	1/1964	Starkus		
4,369,948	A *	1/1983	Krauss et al.	D6/513
D314,114	S *	1/1991	Steinman	D6/567
D340,622	S *	10/1993	Park et al.	D6/513
D377,876	S *	2/1997	Hatala et al.	D6/513

5,651,152	A	7/1997	Ritchie et al.		
D397,322	S	8/1998	Tobin		
6,848,132	B1	2/2005	Dale		
D583,176	S *	12/2008	Bochner et al.	D6/555
D634,541	S	3/2011	Gutierrez		
D636,198	S *	4/2011	Gibbs	D6/513
8,185,987	B2	5/2012	Keehfus		
D662,344	S *	6/2012	Cook	D6/513
D669,290	S	10/2012	Rincon		
8,381,333	B2	2/2013	Friedman		
8,382,053	B2	2/2013	Webb		
D681,984	S *	5/2013	Cramer	D6/513
2002/0018601	A1	2/2002	Nelson		
2011/0062162	A1	3/2011	Thomas		

* cited by examiner

Primary Examiner — Brian N Vinson

(74) *Attorney, Agent, or Firm* — Montgomery Patent & Design; Robert C. Montgomery

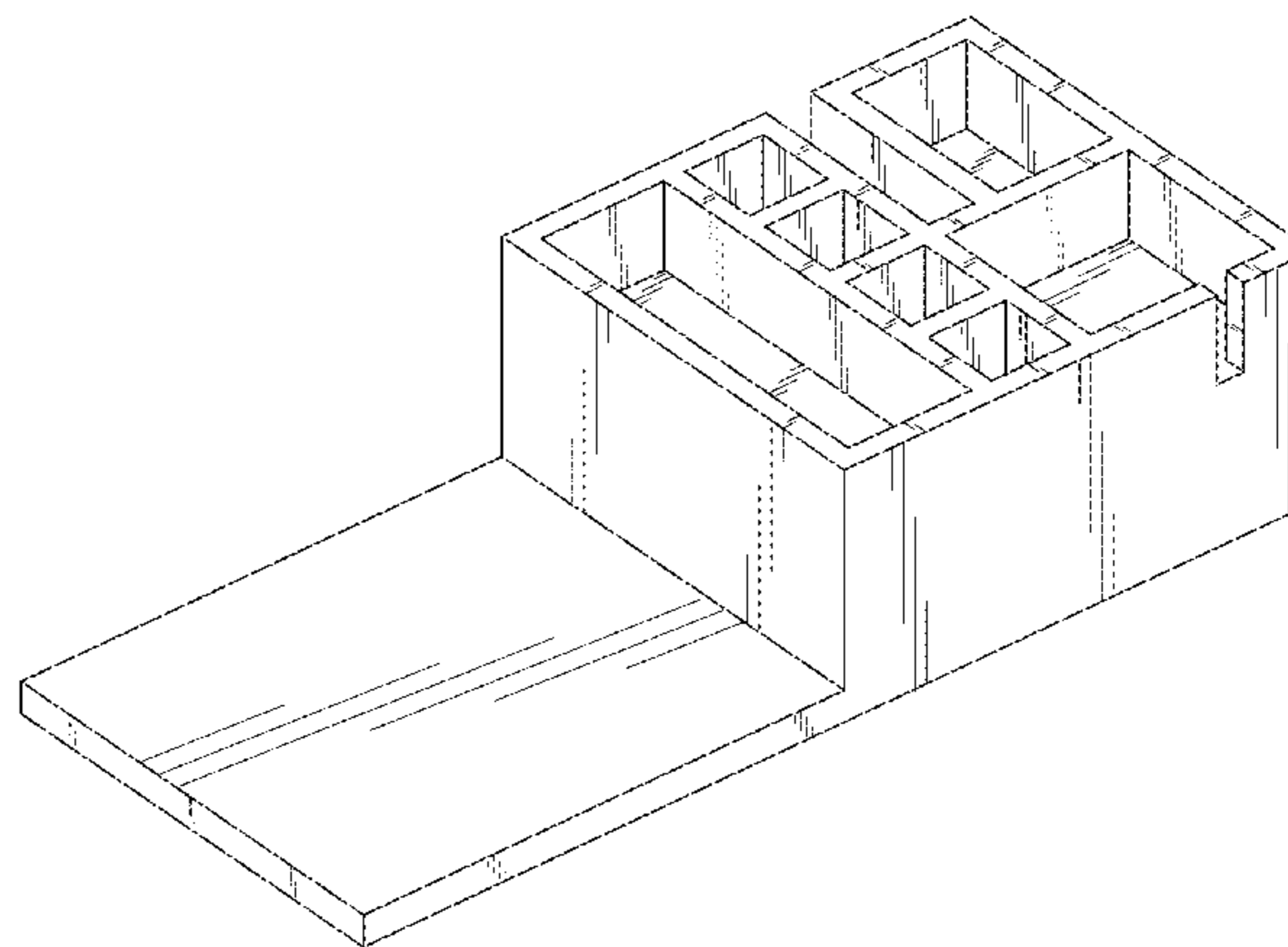
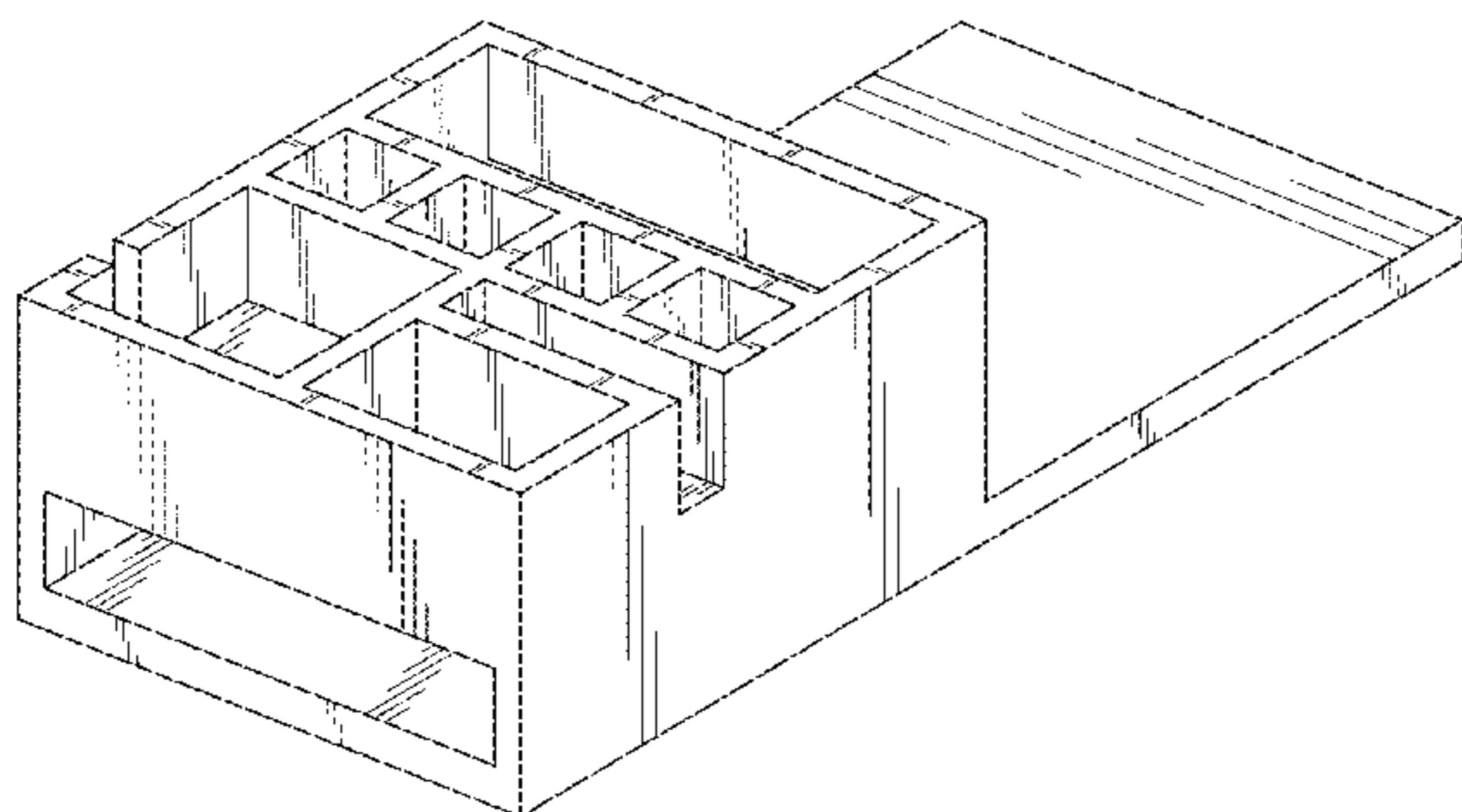
(57) **CLAIM**

The ornamental design for a bed caddy, as shown and described.

DESCRIPTION

FIG. 1 is a top-front perspective view of a bed caddy;
FIG. 2 is a top-rear perspective view thereof;
FIG. 3 is a front view thereof;
FIG. 4 is a rear view thereof;
FIG. 5 is a left-hand side view thereof,
FIG. 6 is a right-hand side view thereof;
FIG. 7 is a top view thereof; and,
FIG. 8 is a bottom view thereof.

1 Claim, 7 Drawing Sheets



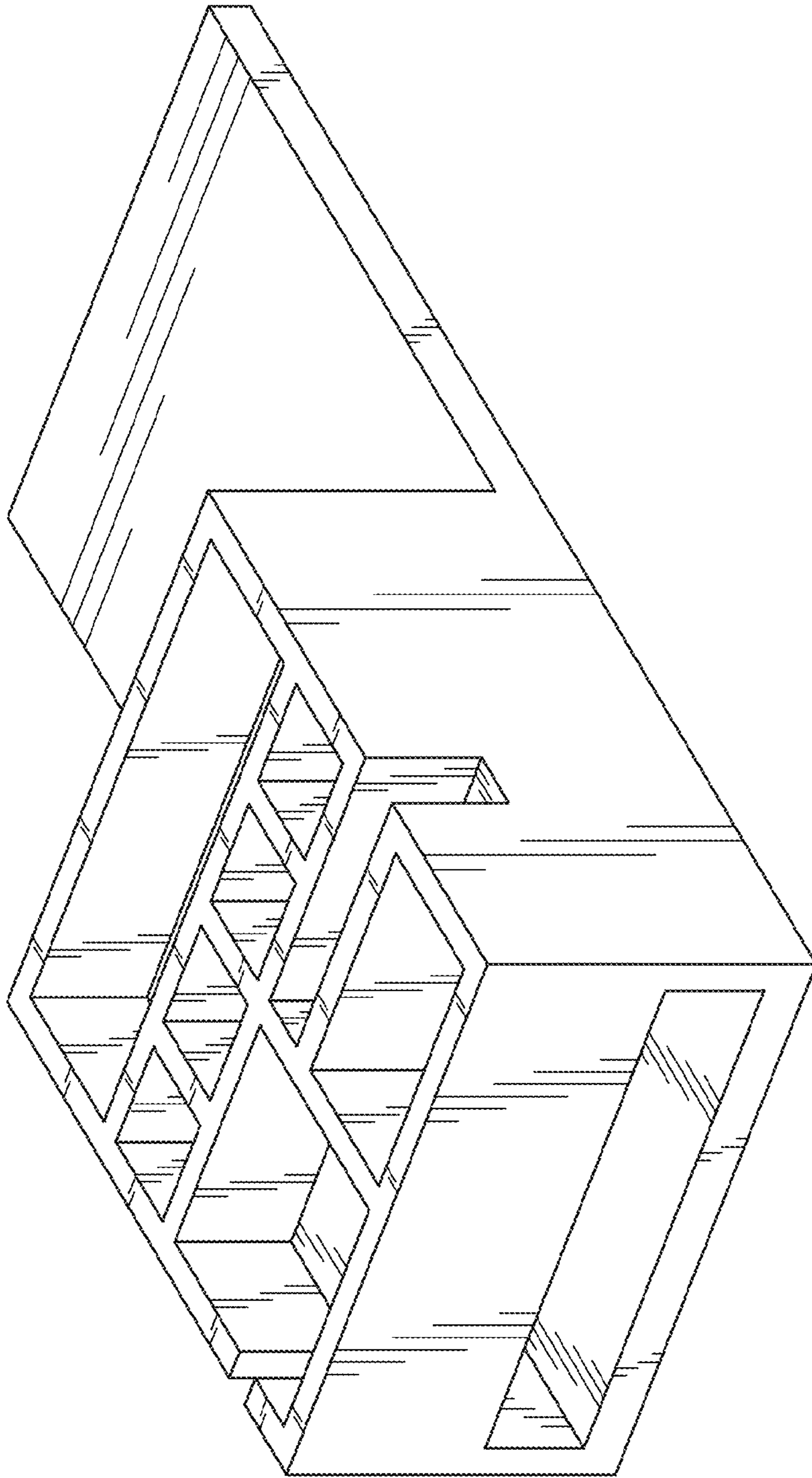


Fig. 1

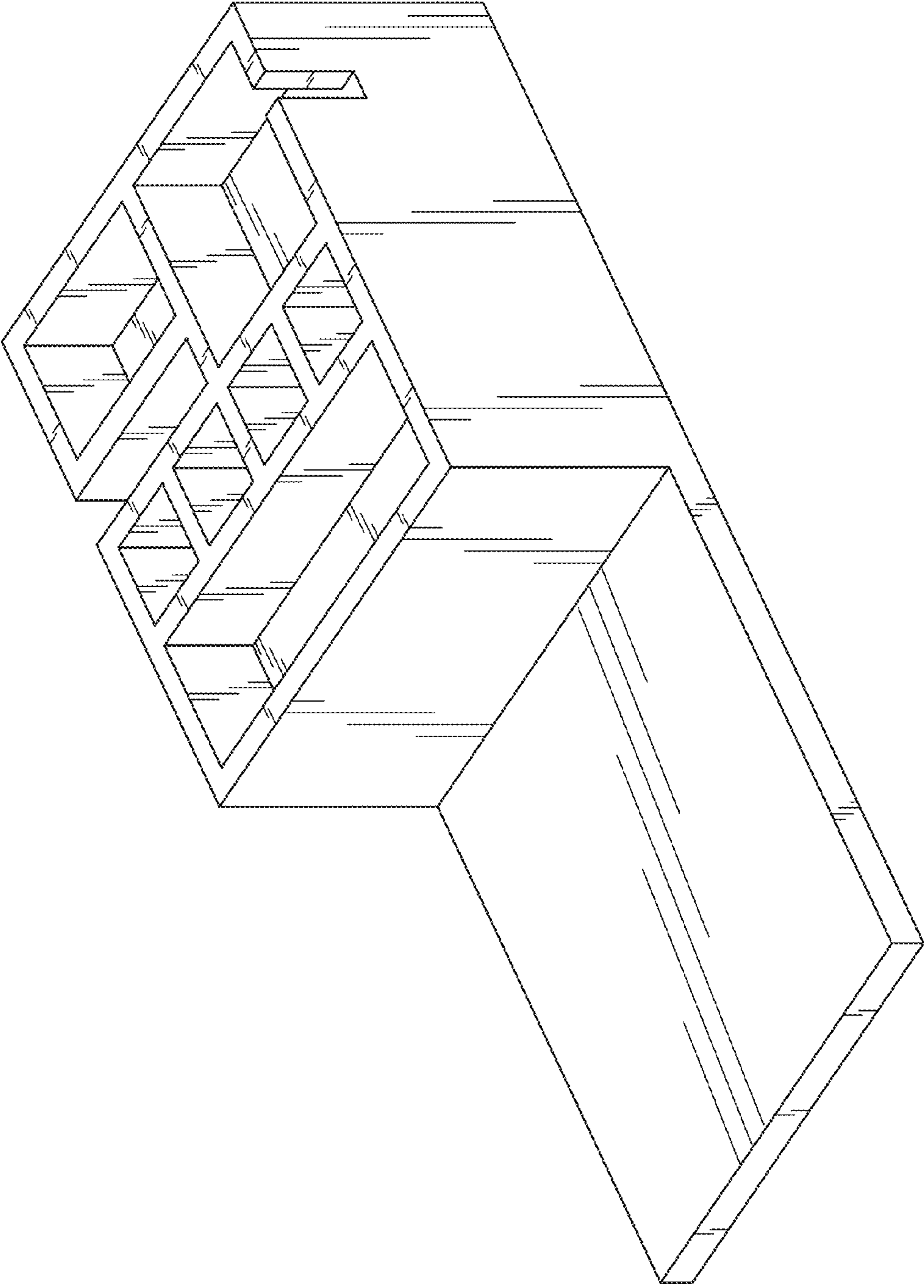


Fig. 2

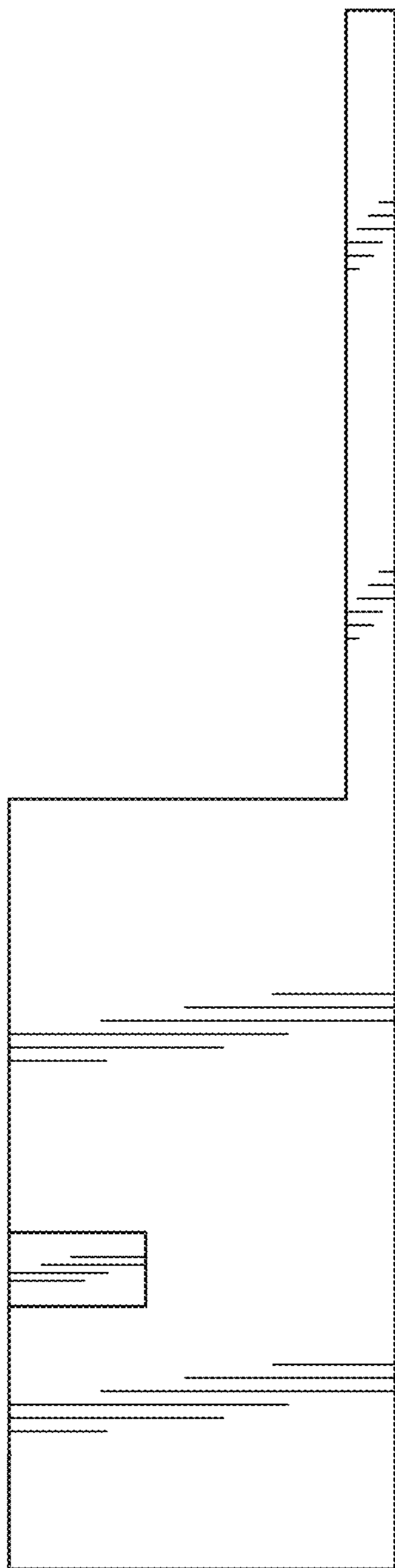


Fig. 3

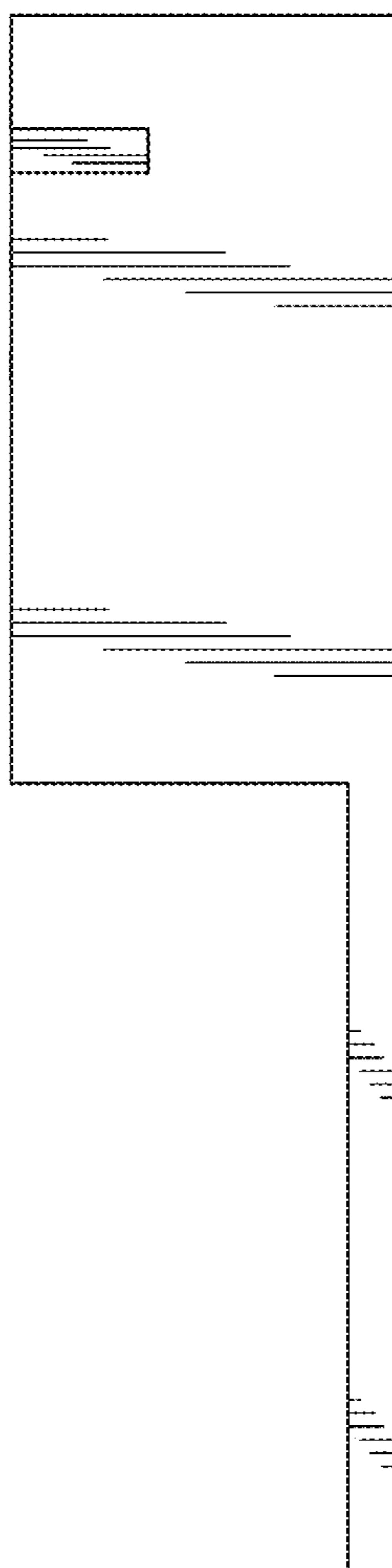


Fig. 4

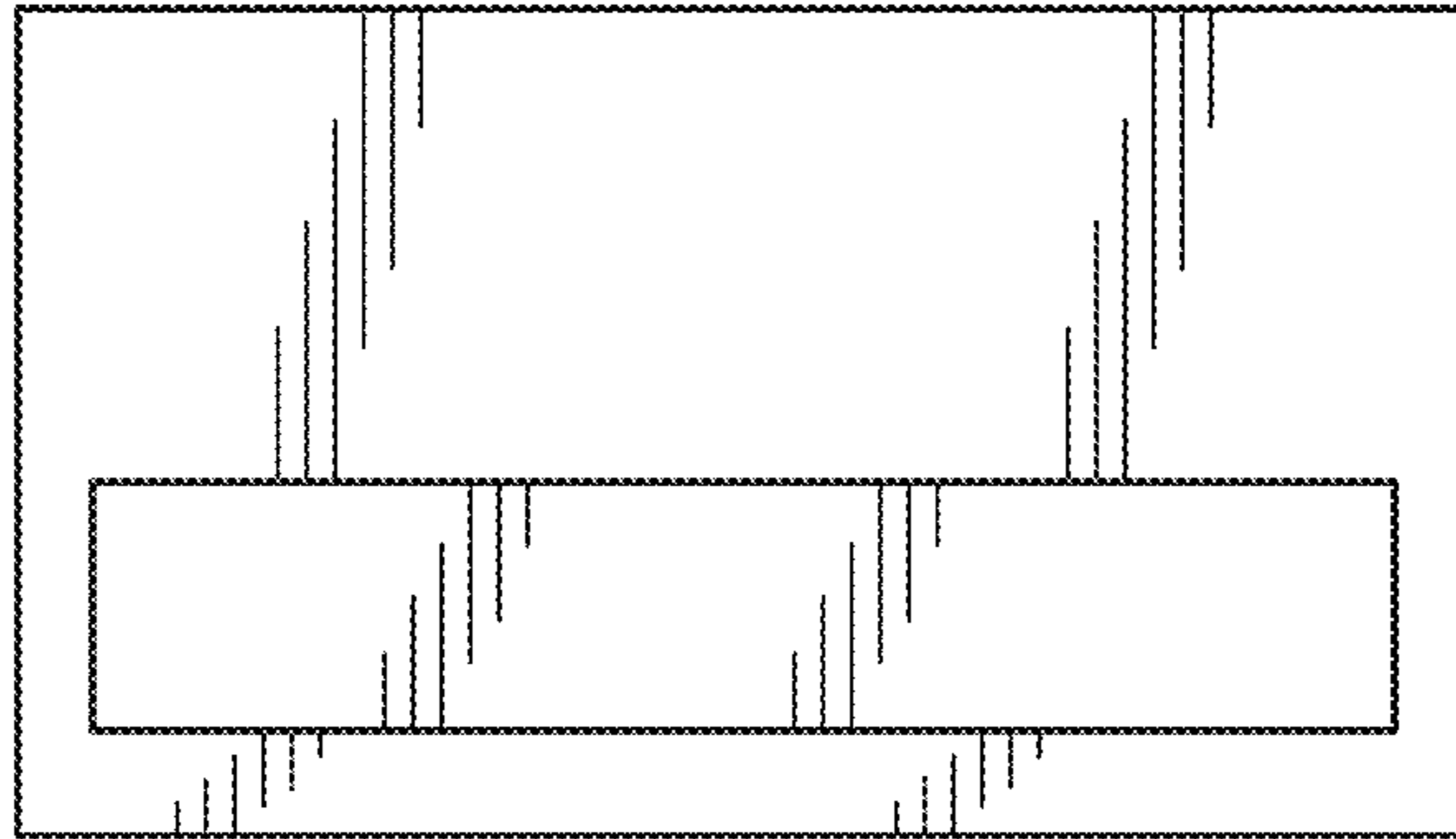


Fig. 5

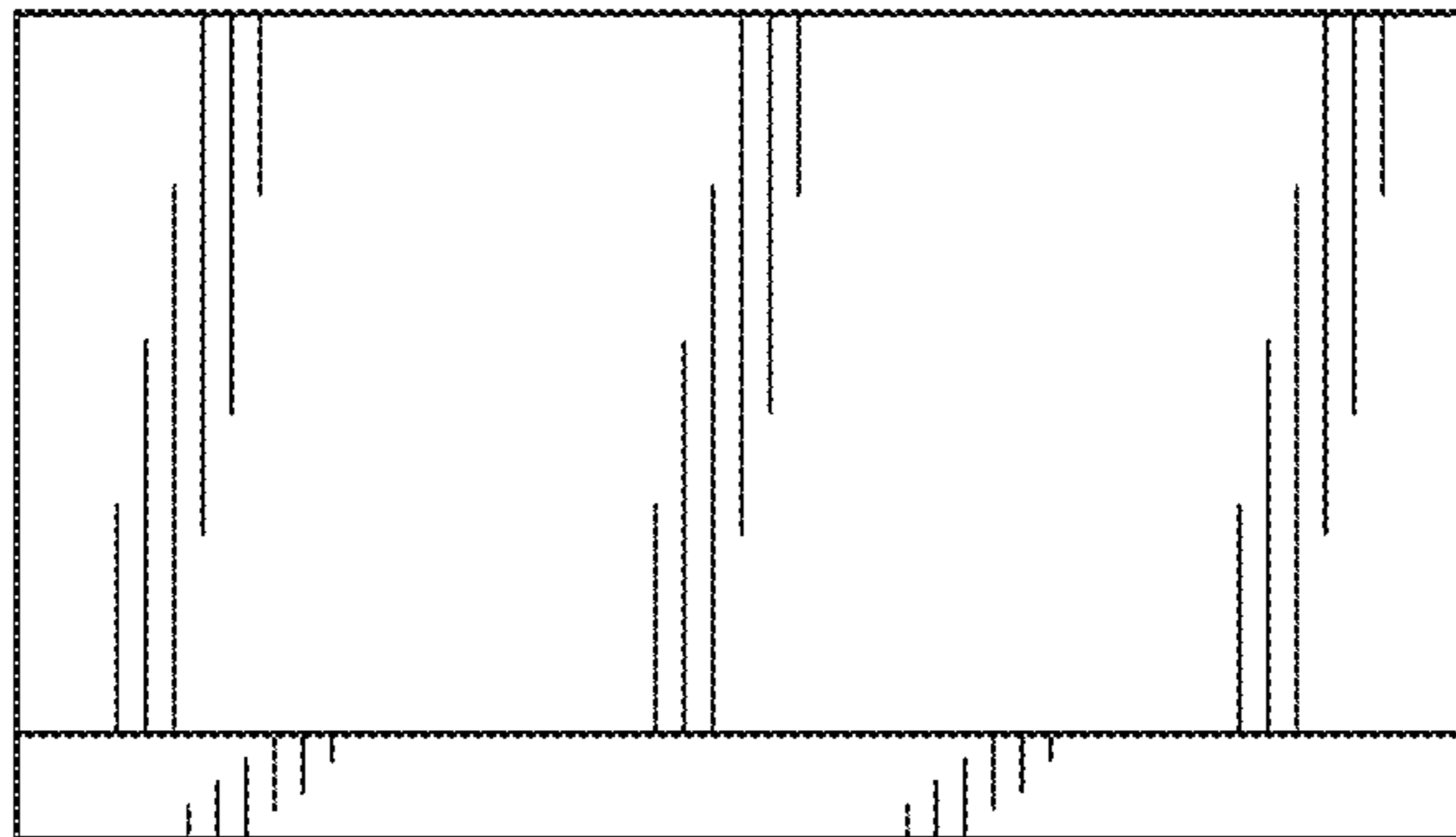


Fig. 6

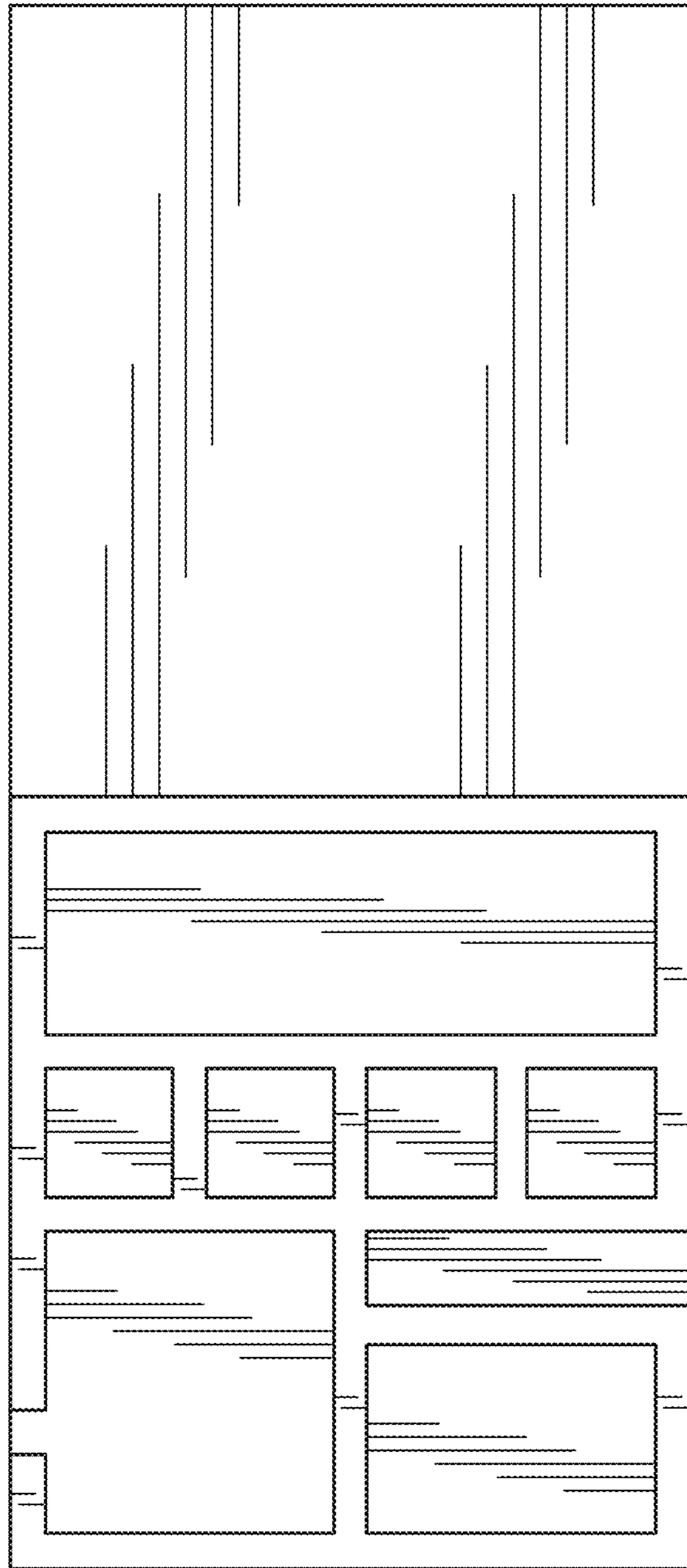


Fig. 7

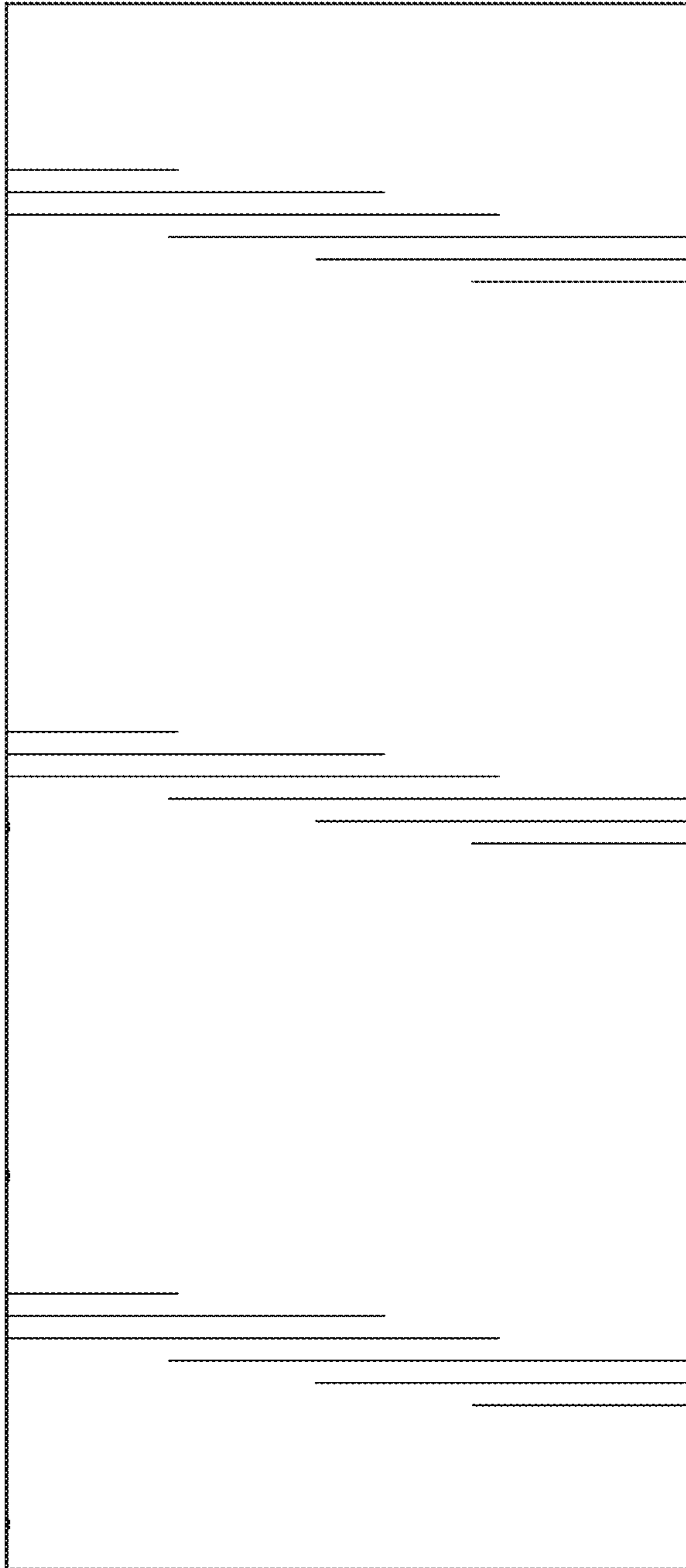


Fig. 8