



US00D702957S

(12) **United States Design Patent**
Natuzzi

(10) **Patent No.:** **US D702,957 S**
(45) **Date of Patent:** **** Apr. 22, 2014**

(54) **SOFA**

(71) Applicant: **Natuzzi S.p.A.**, Santeramo in Colle (IT)

(72) Inventor: **Pasquale Natuzzi**, Santeramo in Colle (IT)

(73) Assignee: **Natuzzi S.p.A.**, Santeramo in Colle (BARI) (IT)

(**) Term: **14 Years**

(21) Appl. No.: **29/469,533**

(22) Filed: **Oct. 11, 2013**

(30) **Foreign Application Priority Data**

Apr. 11, 2013 (IT) RM2013O0061

(51) **LOC (10) Cl.** **06-01**

(52) **U.S. Cl.**
USPC **D6/381**

(58) **Field of Classification Search**
USPC D6/334–338, 349, 355, 361, 368–370,
D6/376, 379–381, 716, 716.1, 716.2;
297/16.1, 42, 94, 135, 175, 232, 233,
297/350, 351, 445.1, 448.1, 448.2, 451.9;
5/12.1, 12.2

See application file for complete search history.

(56) **References Cited**

U.S. PATENT DOCUMENTS

D388,630 S *	1/1998	Lowman et al.	D6/381
D401,078 S *	11/1998	Relling	D6/381
D500,928 S *	1/2005	Nastri	D6/381
D584,524 S *	1/2009	Ricci	D6/381
D590,165 S *	4/2009	Natuzzi	D6/381
D603,620 S *	11/2009	Natuzzi	D6/381
D608,106 S *	1/2010	Natuzzi	D6/381
D612,167 S *	3/2010	Mourgue	D6/381

* cited by examiner

Primary Examiner — Sandra Snapp

(74) *Attorney, Agent, or Firm* — Reising Ethington P.C.

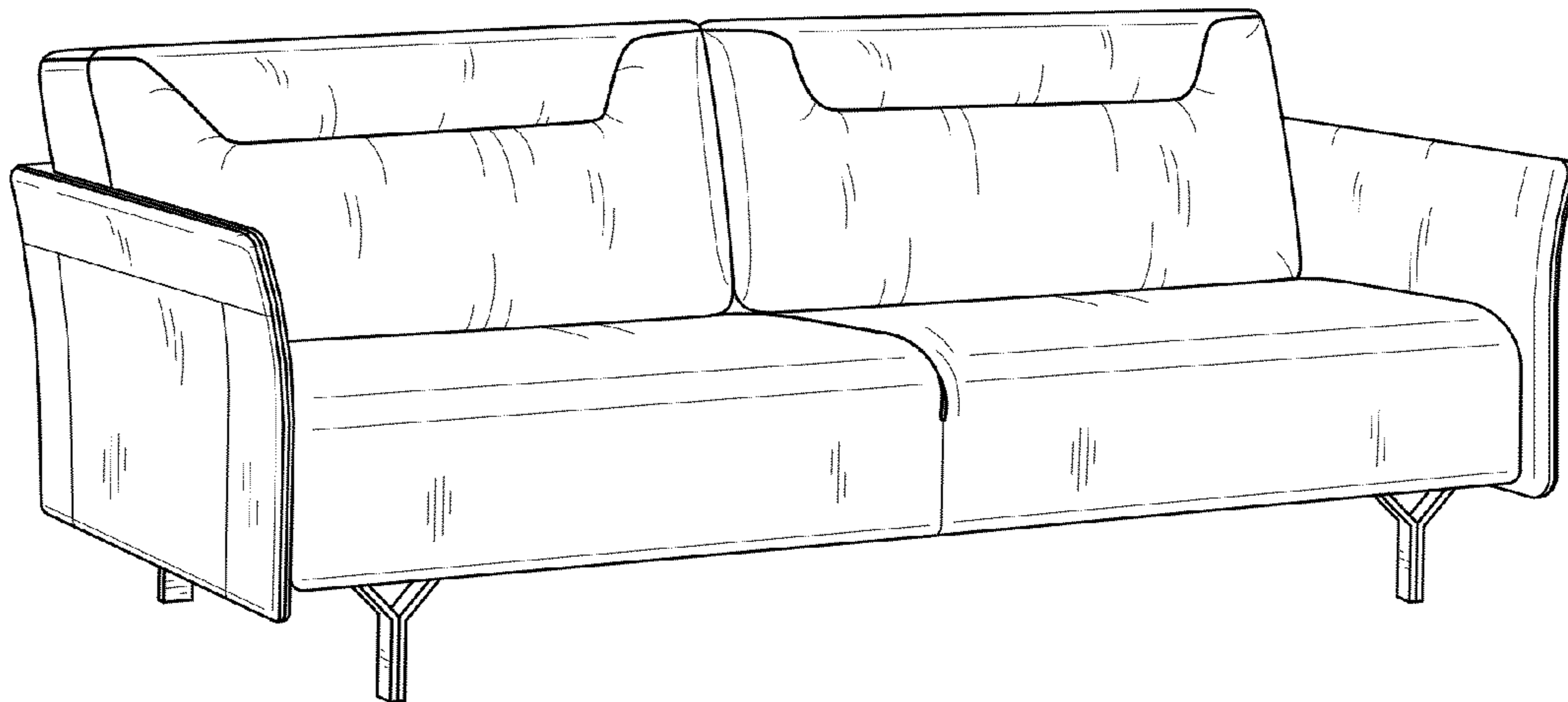
(57) **CLAIM**

The ornamental design for a sofa, as shown and described.

DESCRIPTION

FIG. 1 shows a perspective view of the sofa;
FIG. 2 shows a front view of the sofa;
FIG. 3 shows a left side view of the sofa;
FIG. 4 shows a right side view of the sofa;
FIG. 5 shows a top view of the sofa;
FIG. 6 shows a rear view of the sofa; and,
FIG. 7 shows a bottom view of the sofa.

1 Claim, 2 Drawing Sheets



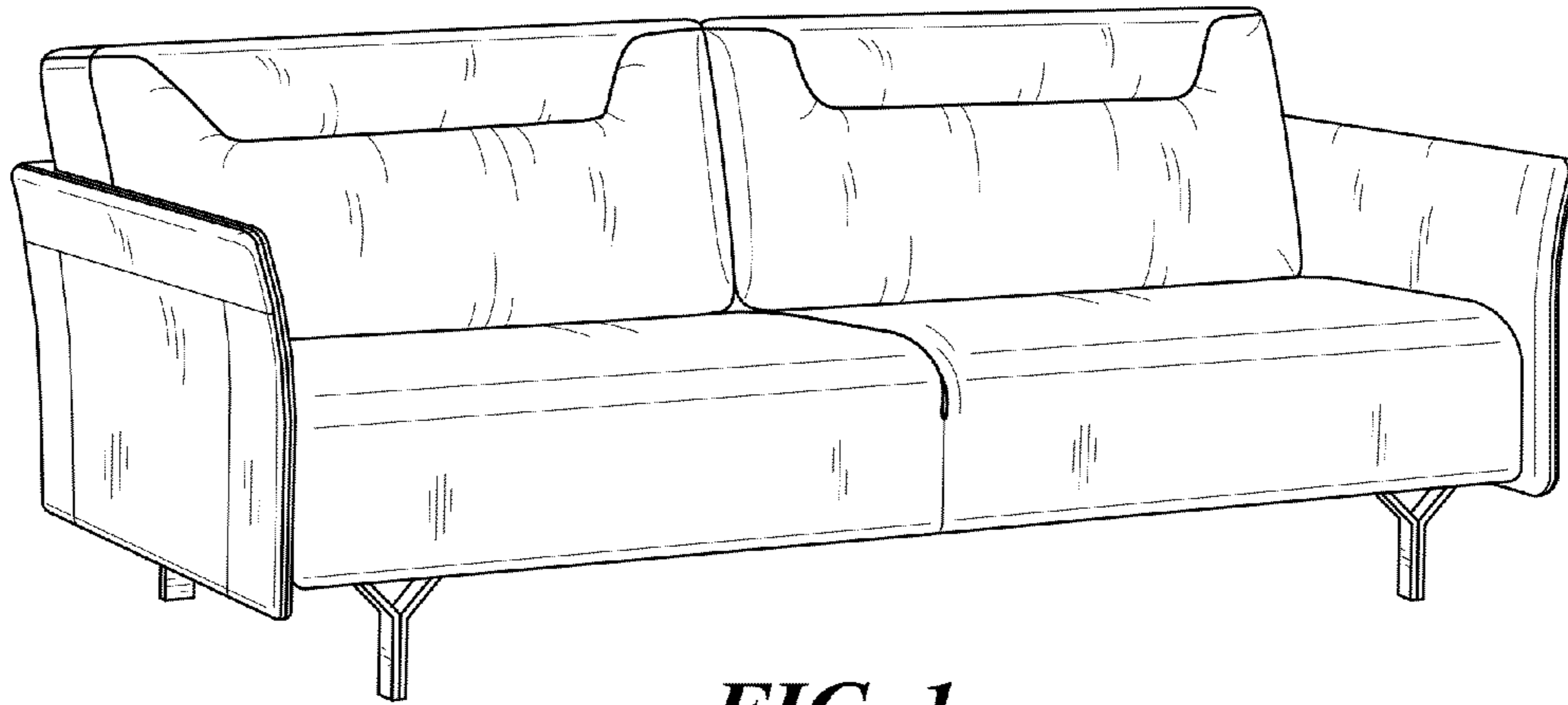


FIG. 1

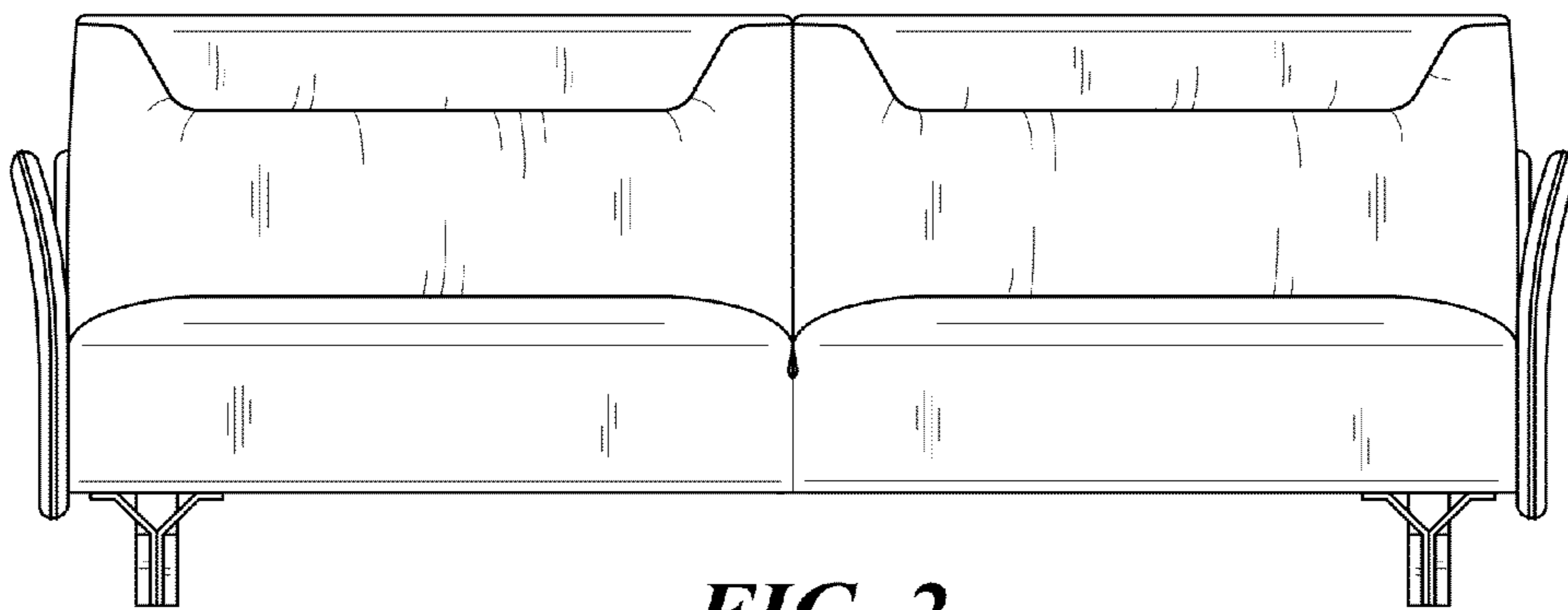


FIG. 2

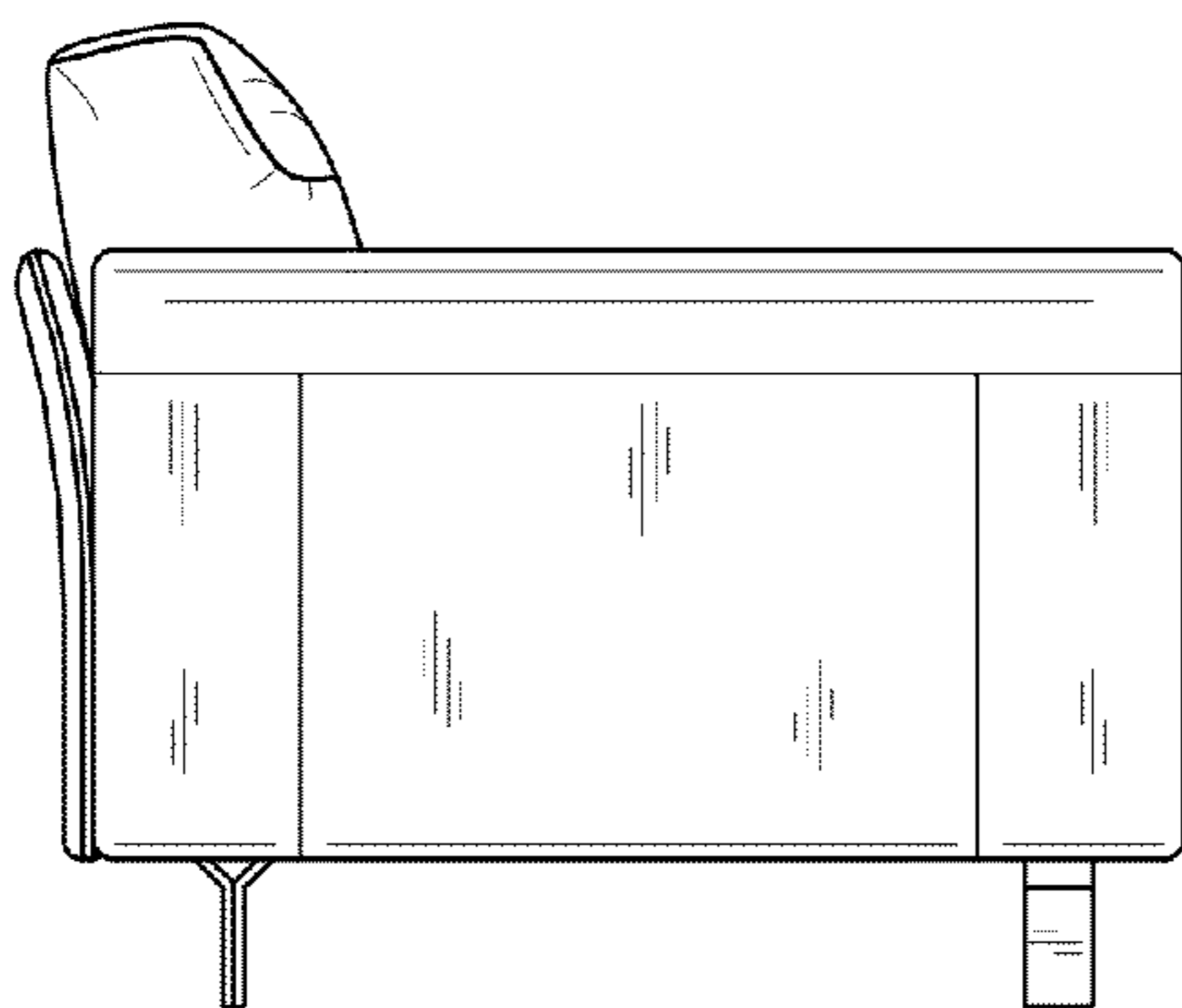


FIG. 3

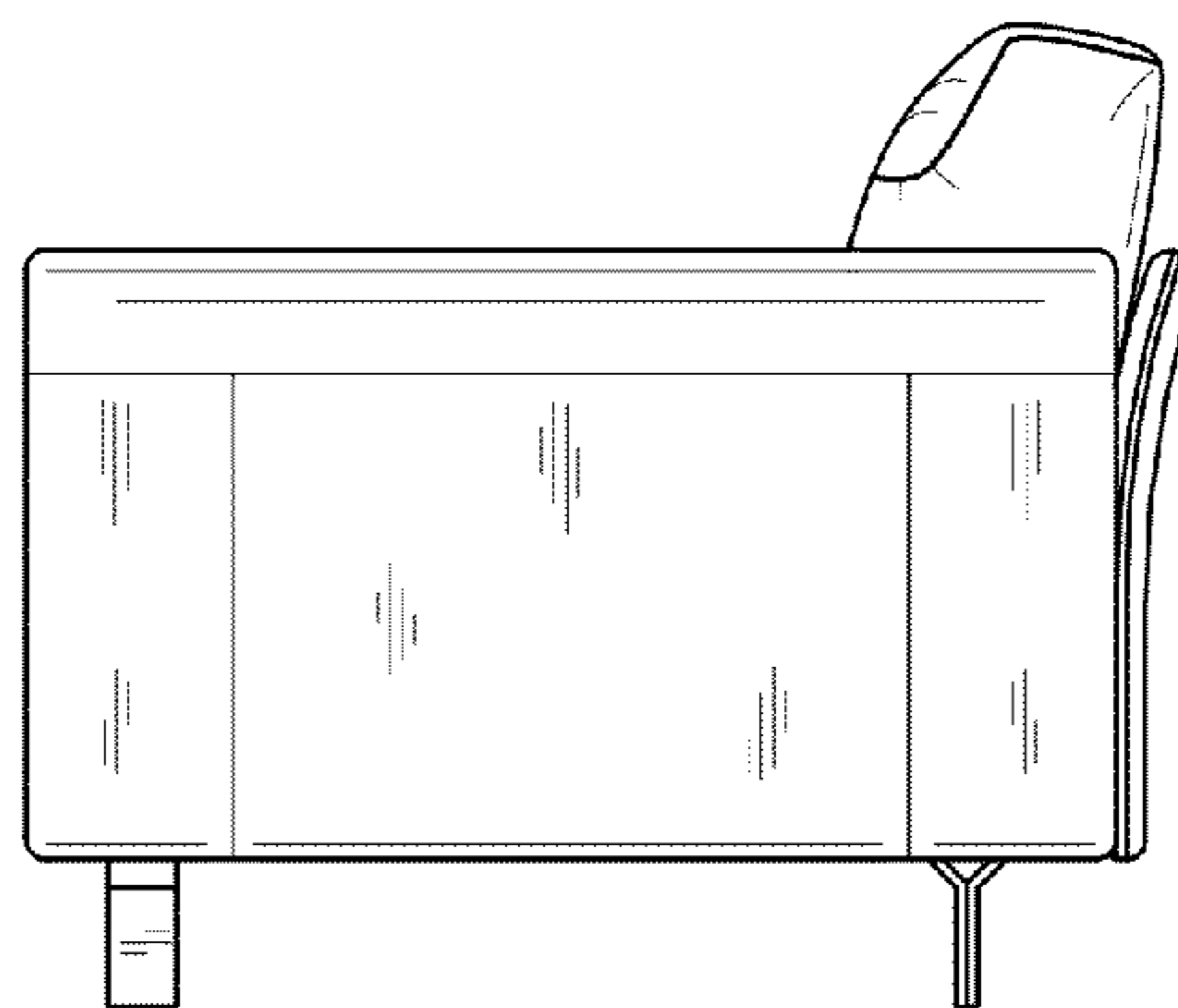


FIG. 4

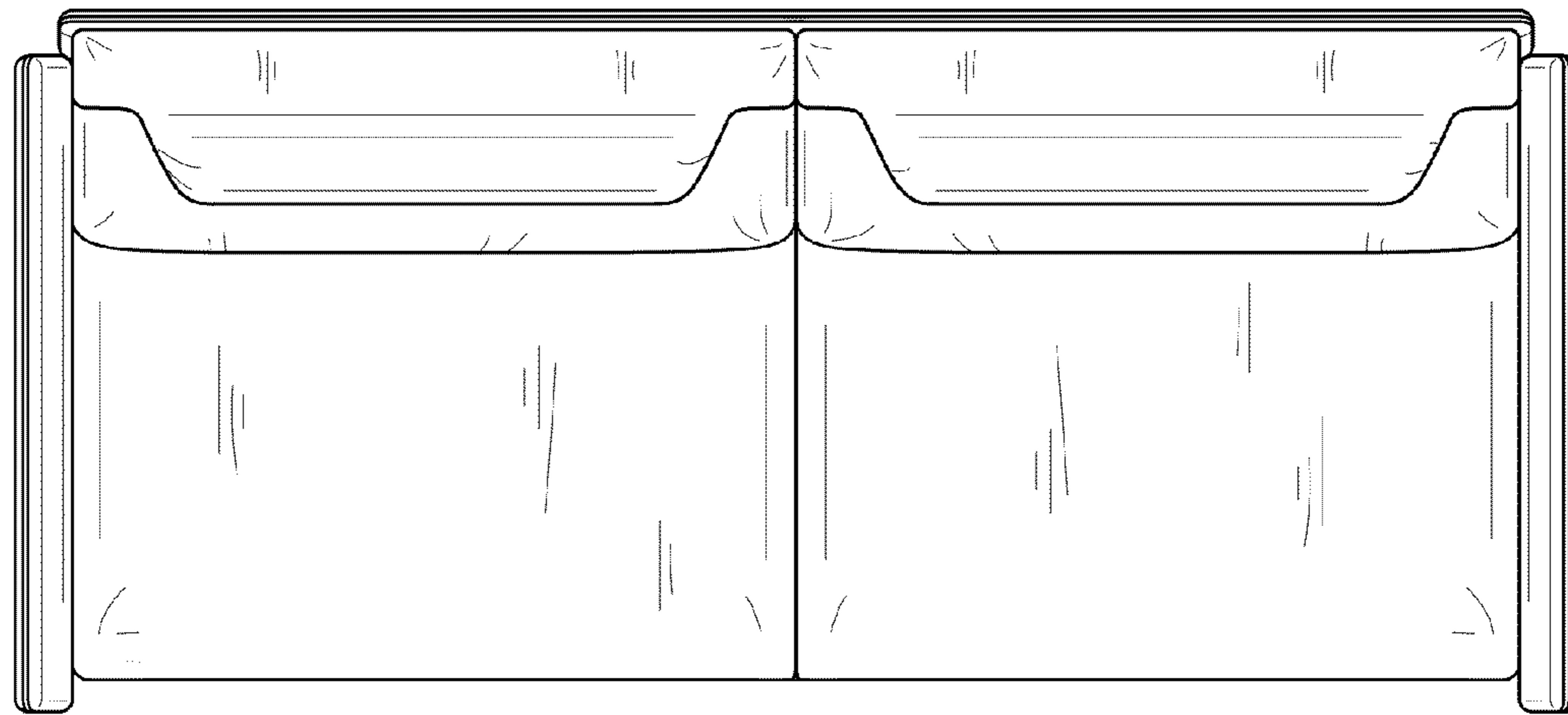


FIG. 5

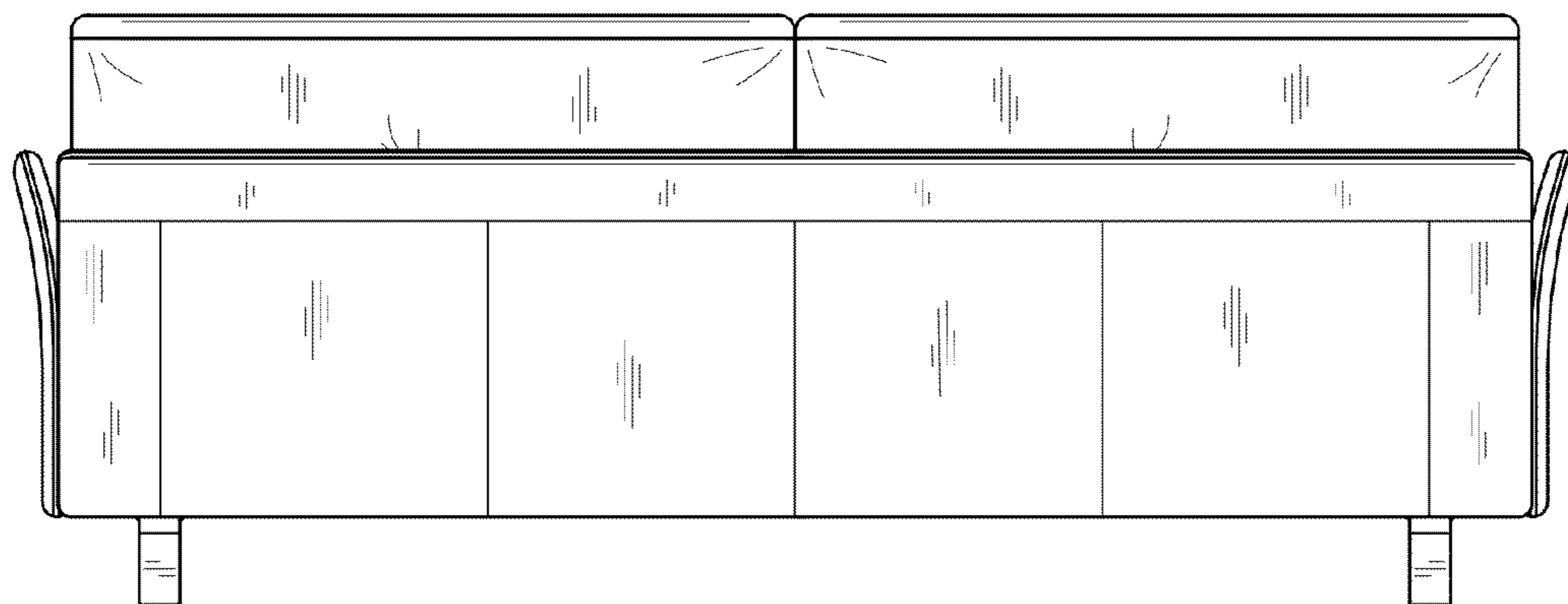


FIG. 6

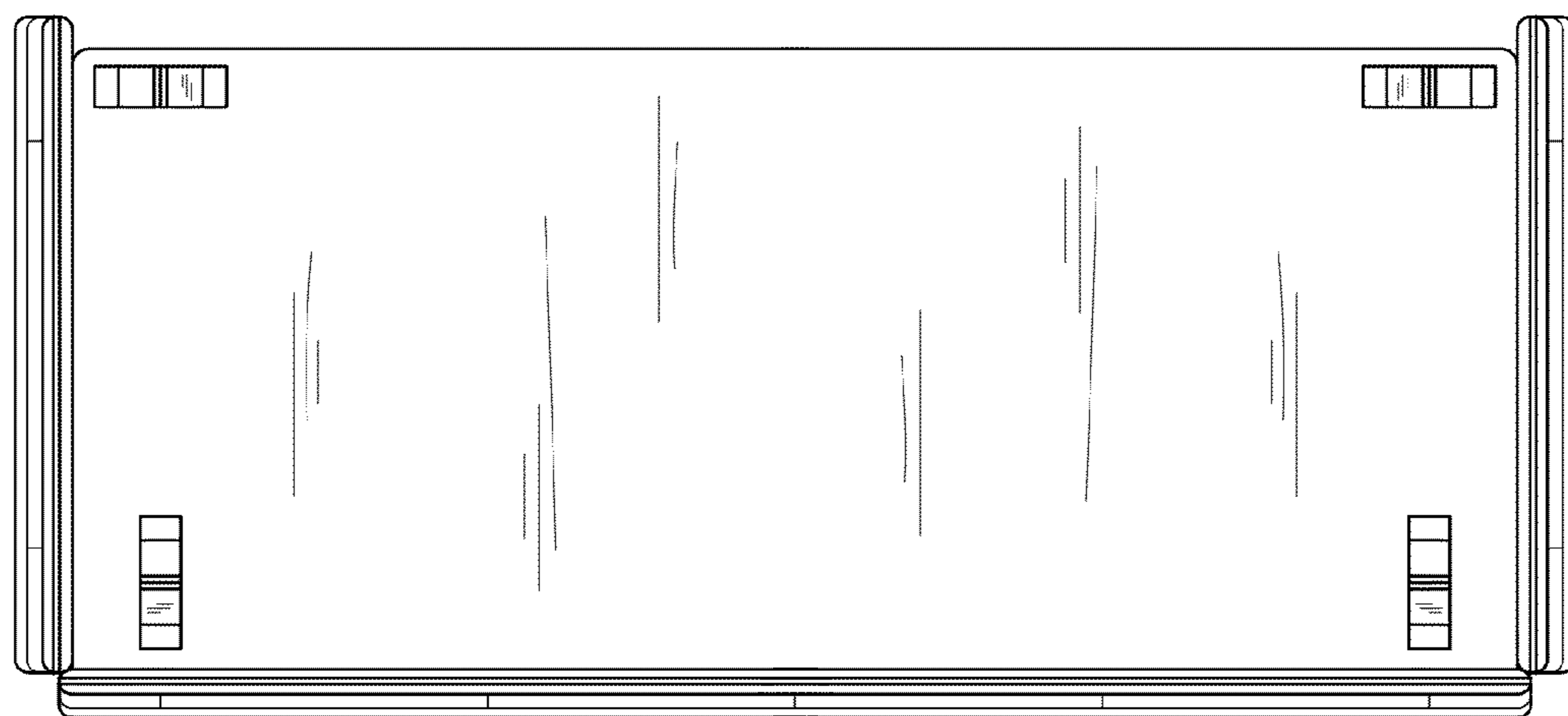


FIG. 7

UNITED STATES PATENT AND TRADEMARK OFFICE
CERTIFICATE OF CORRECTION

PATENT NO. : D702,957 S
APPLICATION NO. : 29/469533
DATED : April 22, 2014
INVENTOR(S) : Pasquale Natuzzi

Page 1 of 1

It is certified that error appears in the above-identified patent and that said Letters Patent is hereby corrected as shown below:

On the Title Page: Item (30) Foreign Application Priority Data, April 11, 2013 (IT), remove RM2013O0061 and insert --RM2013O000061--.

Signed and Sealed this
First Day of July, 2014



Michelle K. Lee
Deputy Director of the United States Patent and Trademark Office