



US00D702955S

(12) **United States Design Patent**
Meda

(10) **Patent No.:** **US D702,955 S**
(45) **Date of Patent:** **** Apr. 22, 2014**

(54) **CHAIR**

(71) Applicant: **Vitra Patente AG**, MuttENZ (CH)

(72) Inventor: **Alberto Meda**, Milan (IT)

(73) Assignee: **Vitra Patente AG**, MuttENZ (CH)

(**) Term: **14 Years**

(21) Appl. No.: **29/451,634**

(22) Filed: **Apr. 5, 2013**

(30) **Foreign Application Priority Data**

Oct. 8, 2012 (WO) DM/079 297

(51) **LOC (10) Cl.** **06-01**

(52) **U.S. Cl.**
USPC **D6/366**

(58) **Field of Classification Search**
USPC D6/334-336, 344-353, 360-381, 388,
D6/403, 491-502, 692, 708, 716,
D6/716.2-716.4; 297/16.1, 22, 31, 35,
297/217.1, 228.12, 248, 256.16, 271.6,
297/284.4-284.5, 291, 297, 302.4, 321,
297/411.2, 411.27-411.29, 411.4, 411.43,
297/423.1, 423.12, 423.38, 440.11, 440.15,
297/440.21-440.24, 448.1, 451.4, 452.13,
297/452.19, 452.21, 452.27, 452.29, 452.3,
297/452.41, 452.56, 452.64

See application file for complete search history.

(56) **References Cited**

U.S. PATENT DOCUMENTS

D215,837 S	*	11/1969	Stephens	D6/375
D351,510 S	*	10/1994	Lucci et al.	D6/372
D509,969 S	*	9/2005	Loew et al.	D6/366
D518,304 S	*	4/2006	Crescenti	D6/373
D535,126 S	*	1/2007	Loew et al.	D6/500
D543,041 S	*	5/2007	Hara	D6/366

D543,385 S	*	5/2007	Loew et al.	D6/500
D552,368 S	*	10/2007	Scheper et al.	D6/375
D557,917 S	*	12/2007	Nakamura et al.	D6/366
D599,126 S	*	9/2009	Chen et al.	D6/366
D612,175 S	*	3/2010	Kubryk	D6/500
D623,879 S	*	9/2010	Kubryk	D6/500
D628,831 S	*	12/2010	Schmitz et al.	D6/502
D638,231 S	*	5/2011	Lievore et al.	D6/375
D648,143 S	*	11/2011	Lambert et al.	D6/334
D648,147 S	*	11/2011	Izawa	D6/366
D648,552 S	*	11/2011	Izawa	D6/366
D653,871 S	*	2/2012	Jakobsen et al.	D6/368
D654,280 S	*	2/2012	Fujita	D6/366
D656,329 S	*	3/2012	Nakamura et al.	D6/366
D663,976 S	*	7/2012	Kubryk	D6/500
D666,428 S	*	9/2012	Morrison	D6/375
D671,330 S	*	11/2012	Izawa	D6/366

(Continued)

Primary Examiner — Ricky Pham

(74) *Attorney, Agent, or Firm* — McCarter & English, LLP

(57) **CLAIM**

The ornamental design for a chair, as shown and described.

DESCRIPTION

FIG. 1 is a front perspective view of a first embodiment of a chair;
 FIG. 2 shows a front elevational view of FIG. 1;
 FIG. 3 shows a right side view of FIG. 1;
 FIG. 4 shows a left side view of FIG. 1;
 FIG. 5 shows a rear elevational view of FIG. 1;
 FIG. 6 shows a top plan view of FIG. 1;
 FIG. 7 shows a bottom plan view of FIG. 1;
 FIG. 8 is a front perspective view of a second embodiment of a chair;
 FIG. 9 shows a front elevational view of FIG. 8;
 FIG. 10 shows a right side view of FIG. 8;
 FIG. 11 shows a left side view of FIG. 8;
 FIG. 12 shows a rear elevational view of FIG. 8;
 FIG. 13 shows a top plan view of FIG. 8; and,
 FIG. 14 shows a bottom plan view of FIG. 8.

1 Claim, 14 Drawing Sheets



(56)

References Cited

8,414,073 B2 * 4/2013 Schmitz et al. 297/321
D688,482 S * 8/2013 Choi D6/366

U.S. PATENT DOCUMENTS

D675,463 S * 2/2013 Collinson et al. D6/366 * cited by examiner



Fig. 1



Fig. 2



Fig. 3



Fig. 4



Fig. 5

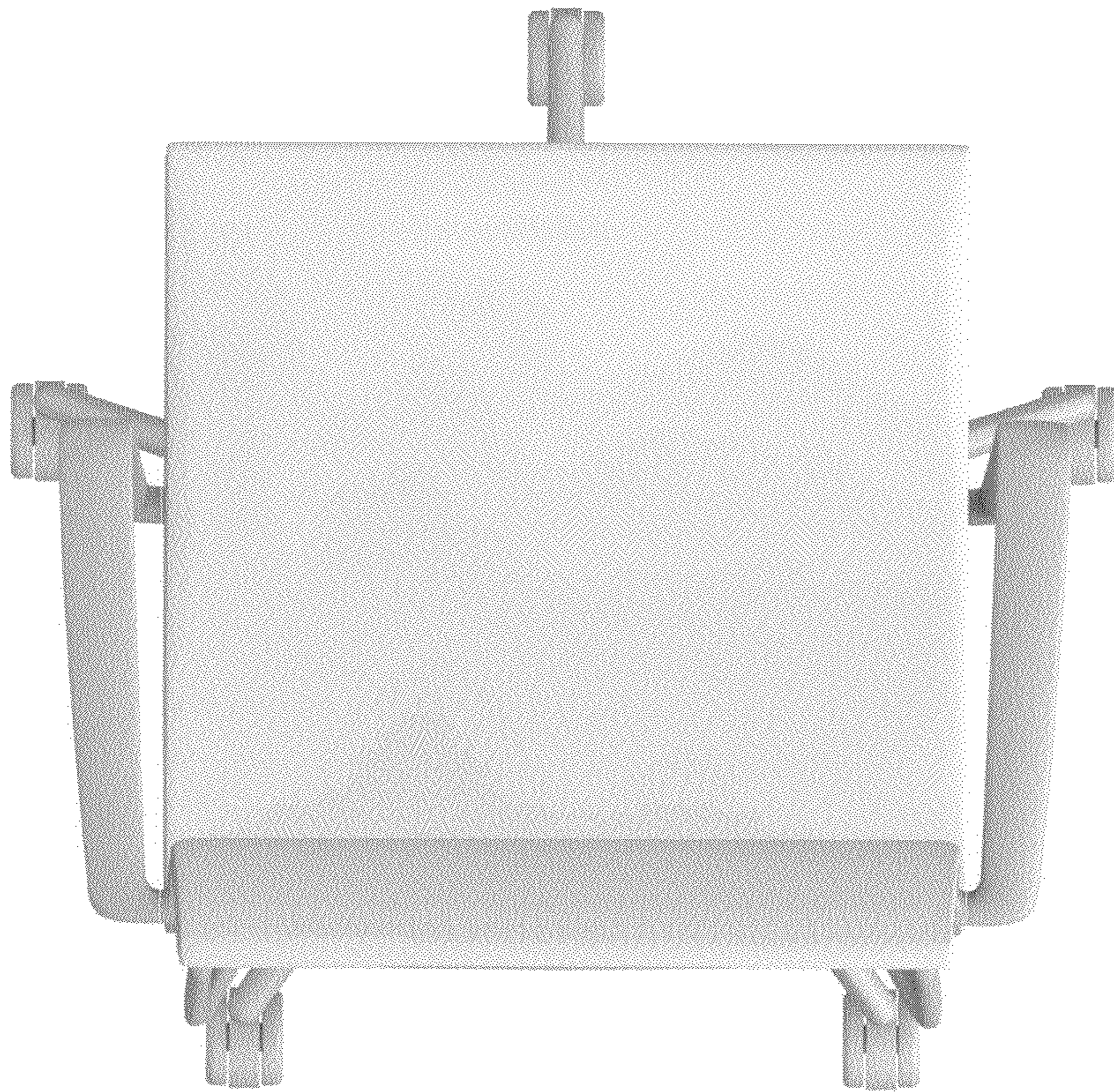


Fig. 6

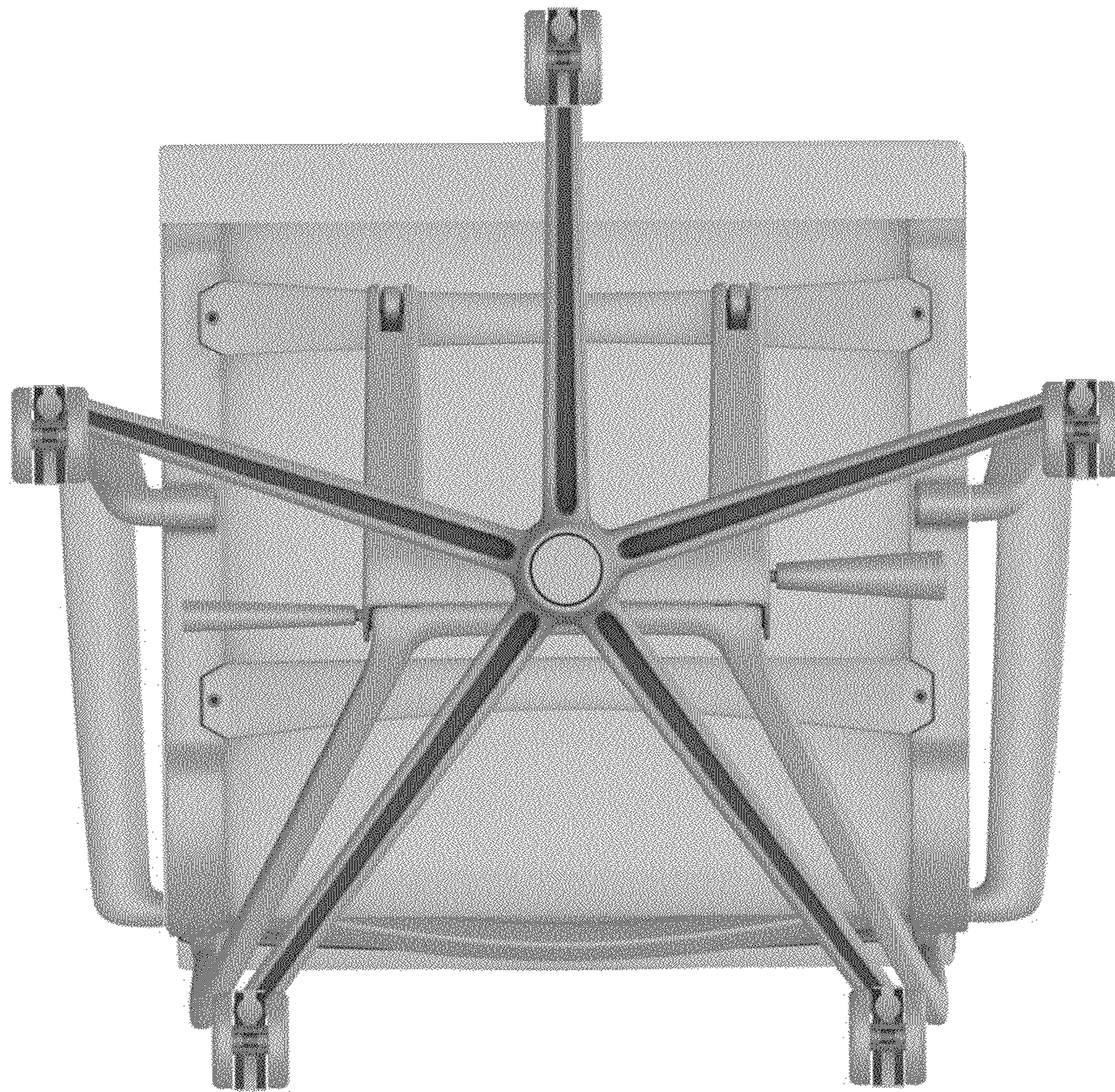


Fig. 7



Fig. 8



Fig. 9



Fig. 10



Fig. 11



Fig. 12

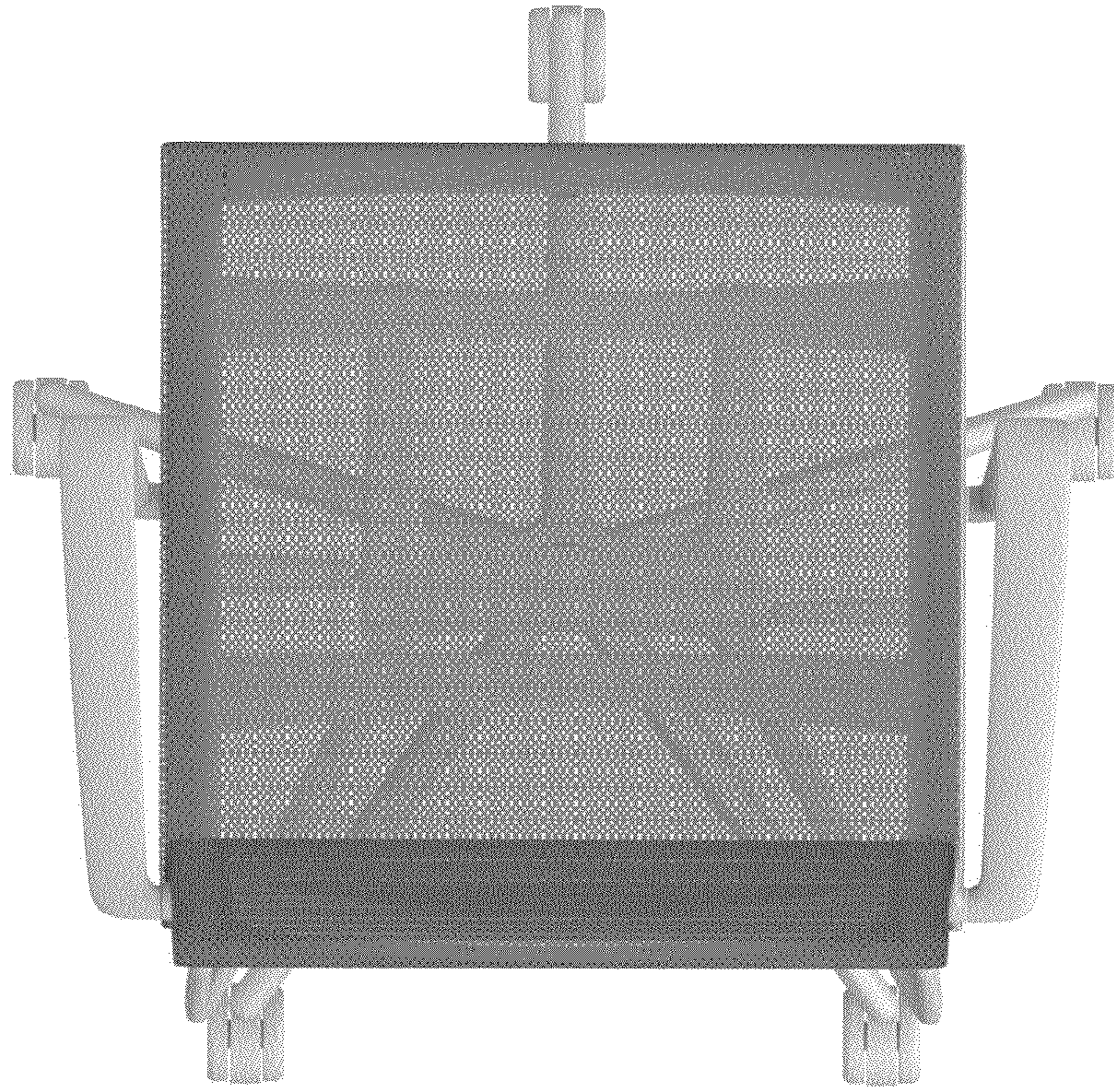


Fig. 13

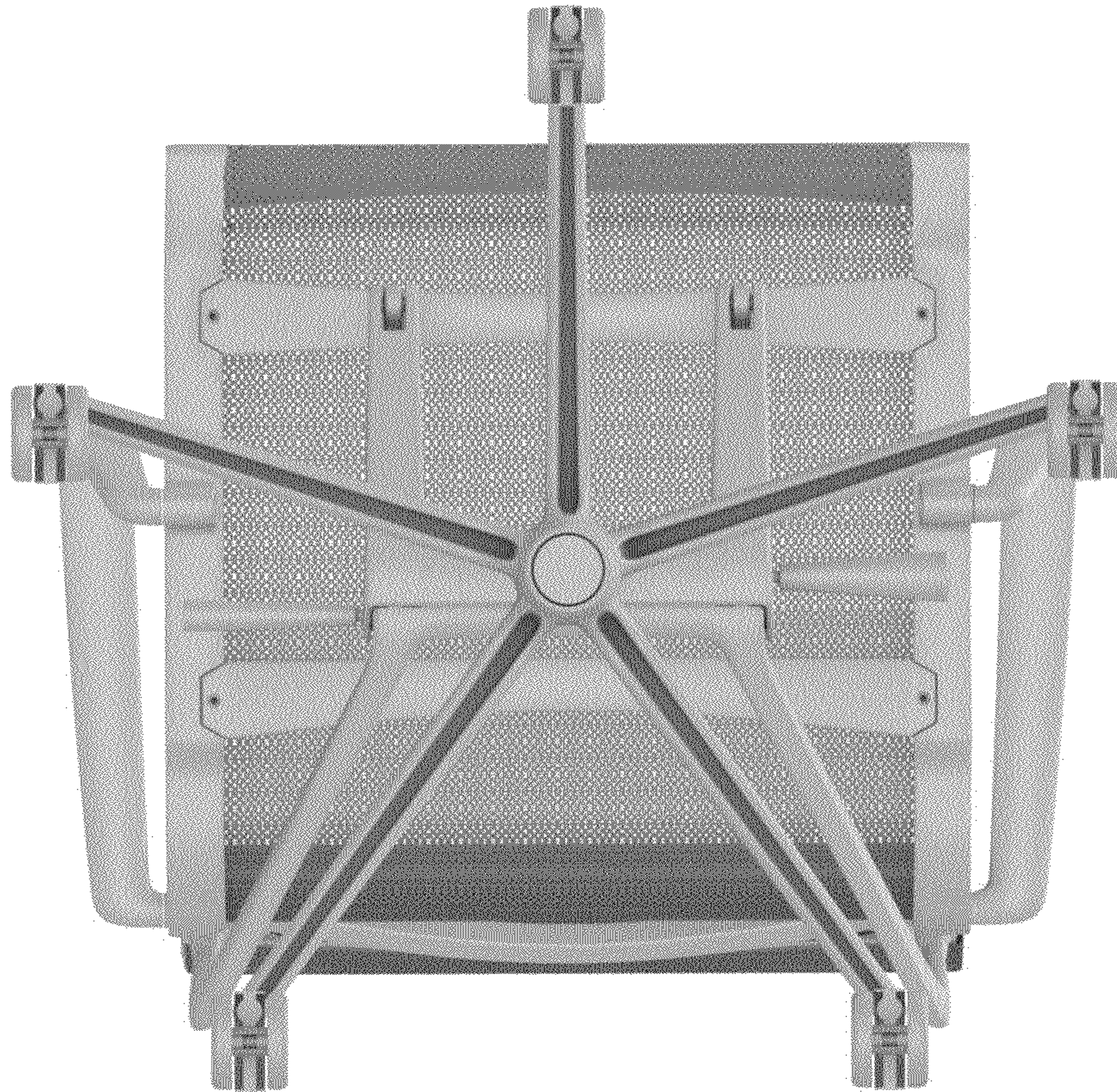


Fig. 14