



US00D702954S

(12) **United States Design Patent**
Bentley

(10) **Patent No.:** **US D702,954 S**

(45) **Date of Patent:** **** Apr. 22, 2014**

(54) **DOUBLE EXTENSION FOR A TREE STAND**

(71) Applicant: **Lyle Bentley**, Lennon, MI (US)

(72) Inventor: **Lyle Bentley**, Lennon, MI (US)

(**) Term: **14 Years**

(21) Appl. No.: **29/443,706**

(22) Filed: **Jan. 22, 2013**

(51) **LOC (10) Cl.** **06-01**

(52) **U.S. Cl.**
USPC **D6/362**

(58) **Field of Classification Search**
USPC D6/334–336, 362, 367, 368, 374, 375,
D6/376, 379, 380, 716, 716.1, 716.2,
D6/716.3, 716.4; 297/4, 16.1, 130, 183.5,
297/255, 331, 352, 452.64; 108/152;
182/116, 133–136, 187, 188
See application file for complete search history.

(56) **References Cited**

U.S. PATENT DOCUMENTS

4,552,246	A *	11/1985	Thomas	182/116
4,625,831	A *	12/1986	Rodgers, Jr.	182/116
5,090,504	A *	2/1992	Amacker	182/134
5,791,436	A *	8/1998	Talley, Sr.	182/116

5,819,874	A *	10/1998	Kuhnert	182/187
7,021,423	B1 *	4/2006	Pestruie et al.	182/116
7,849,964	B2 *	12/2010	Amacker et al.	182/136
D675,455	S *	2/2013	Bentley	D6/362
8,631,904	B1 *	1/2014	Wilds	182/116
2004/0108165	A1 *	6/2004	Poole et al.	182/136
2006/0169538	A1 *	8/2006	Louk et al.	182/187
2007/0151803	A1 *	7/2007	D'Acquisto	182/187

* cited by examiner

Primary Examiner — Mimoso De

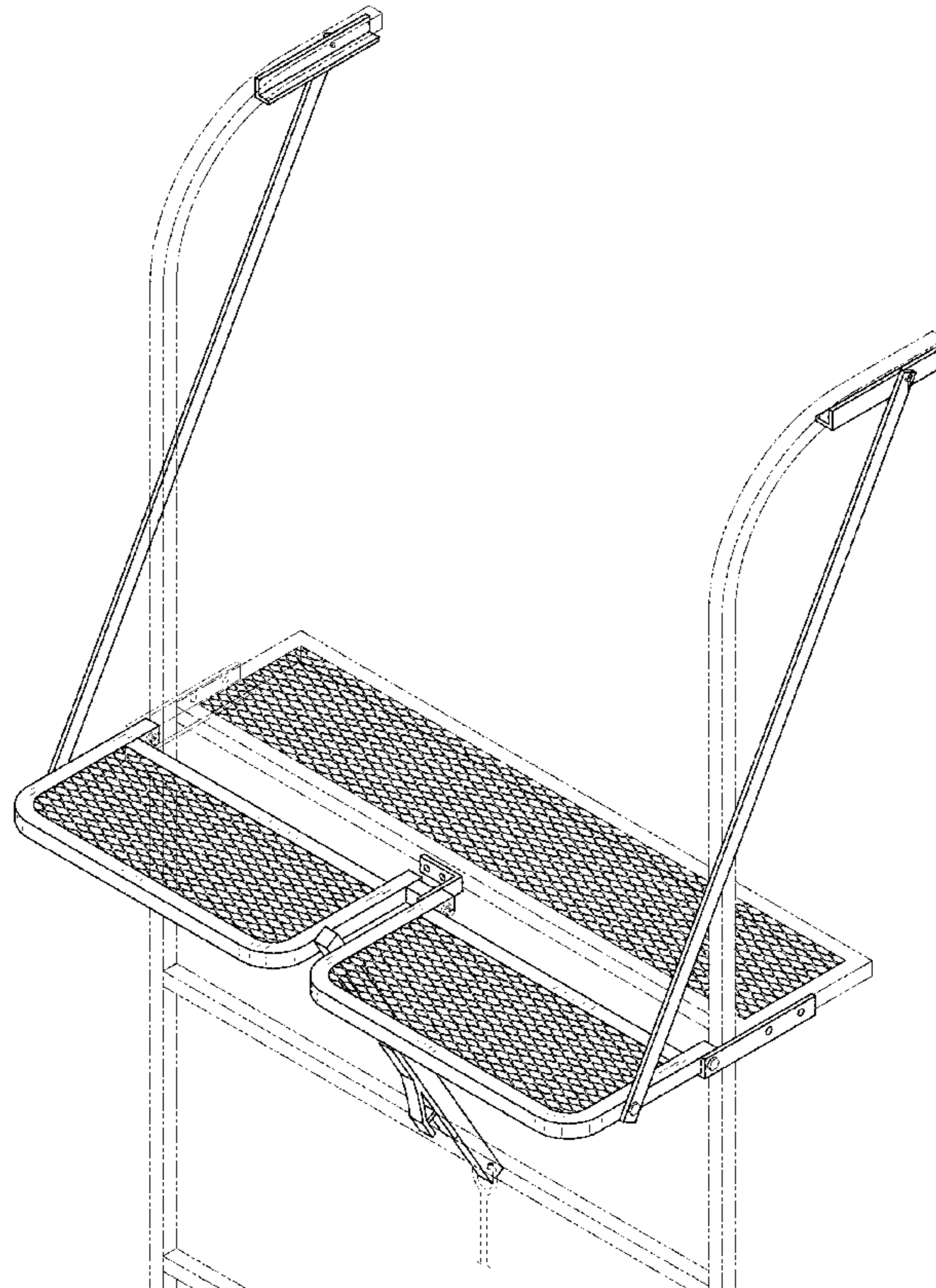
(57) **CLAIM**

The ornamental design for a double extension for a tree stand, as shown and described.

DESCRIPTION

FIG. 1 is a right side elevation view of a double extension for a tree stand showing my new design, the opposite side being a mirror image of the shown;
FIG. 2 is a rear elevation view thereof;
FIG. 3 is a front elevation view thereof;
FIG. 4 is a top plan view thereof;
FIG. 5 is a bottom plan view thereof; and,
FIG. 6 is an isometric view thereof.
The broken lines in FIG. 6 of the drawings depict a portion of a tree stand as environmental subject matter only and form no part of the claimed design.

1 Claim, 6 Drawing Sheets



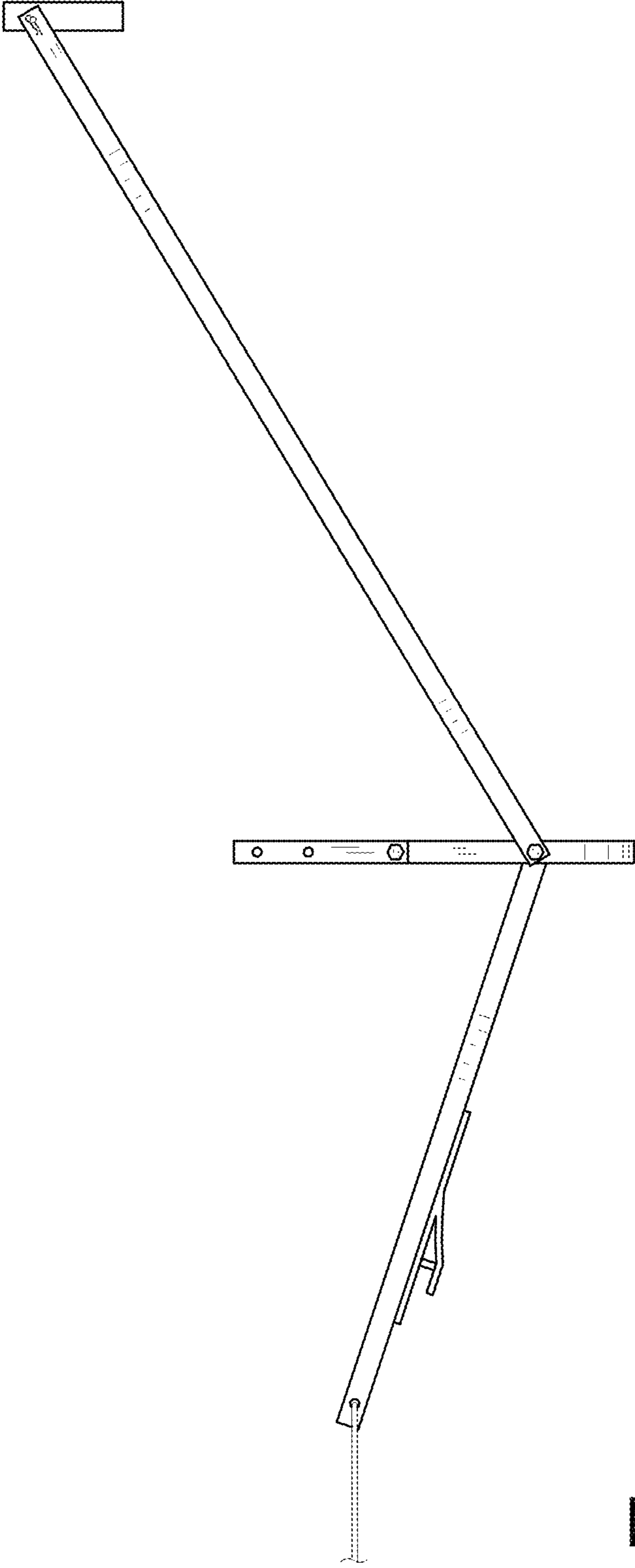


FIG. 1

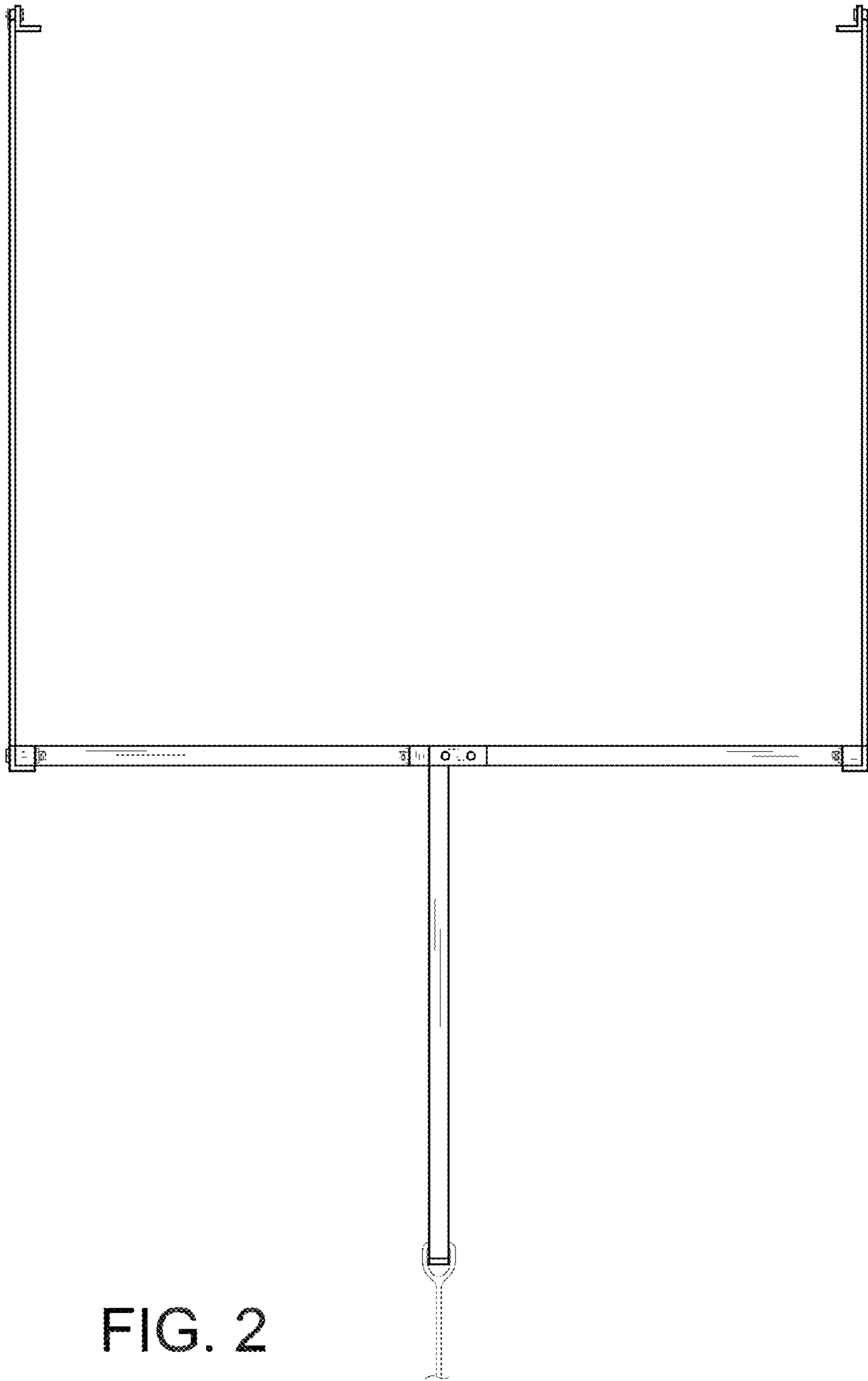
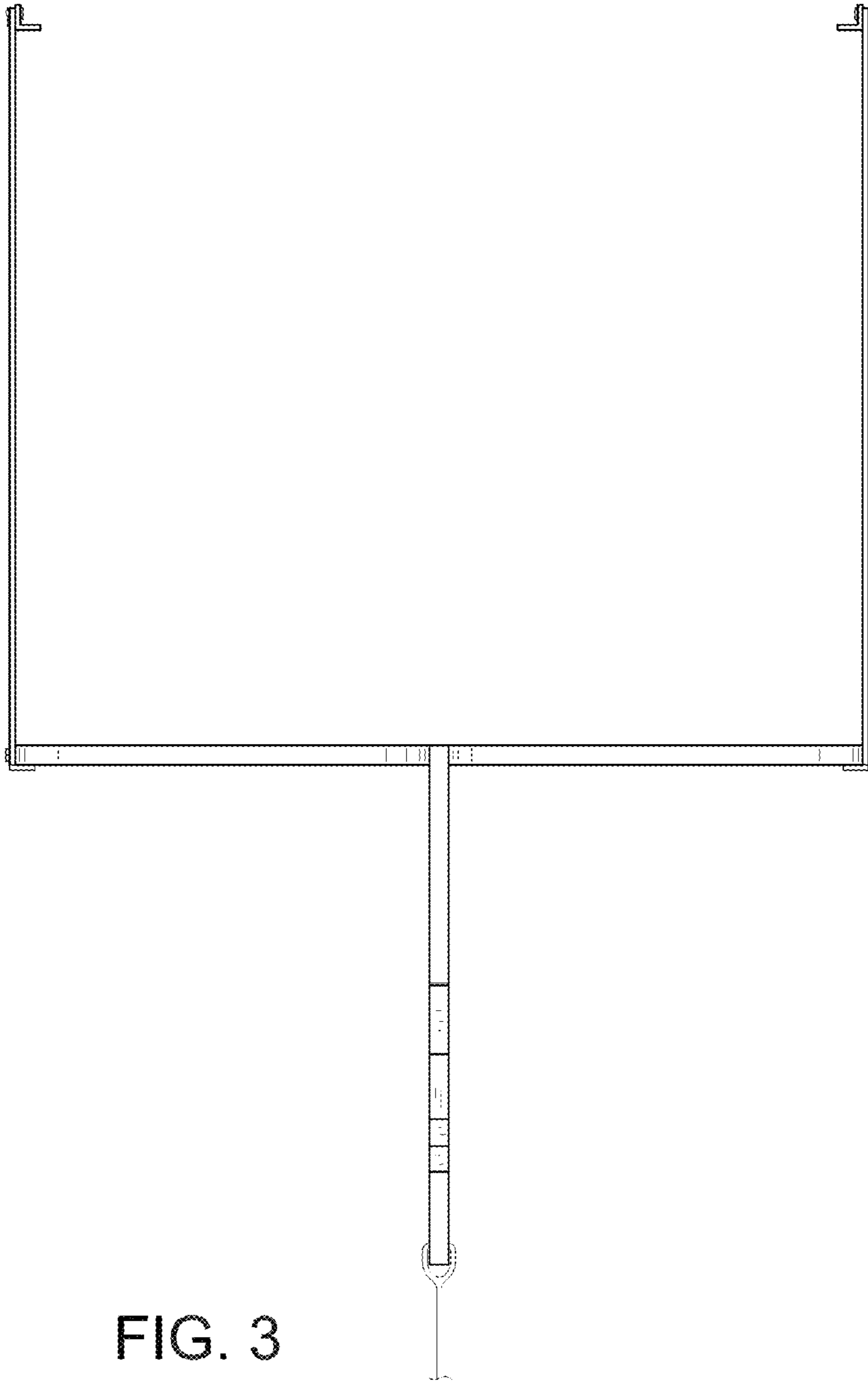


FIG. 2



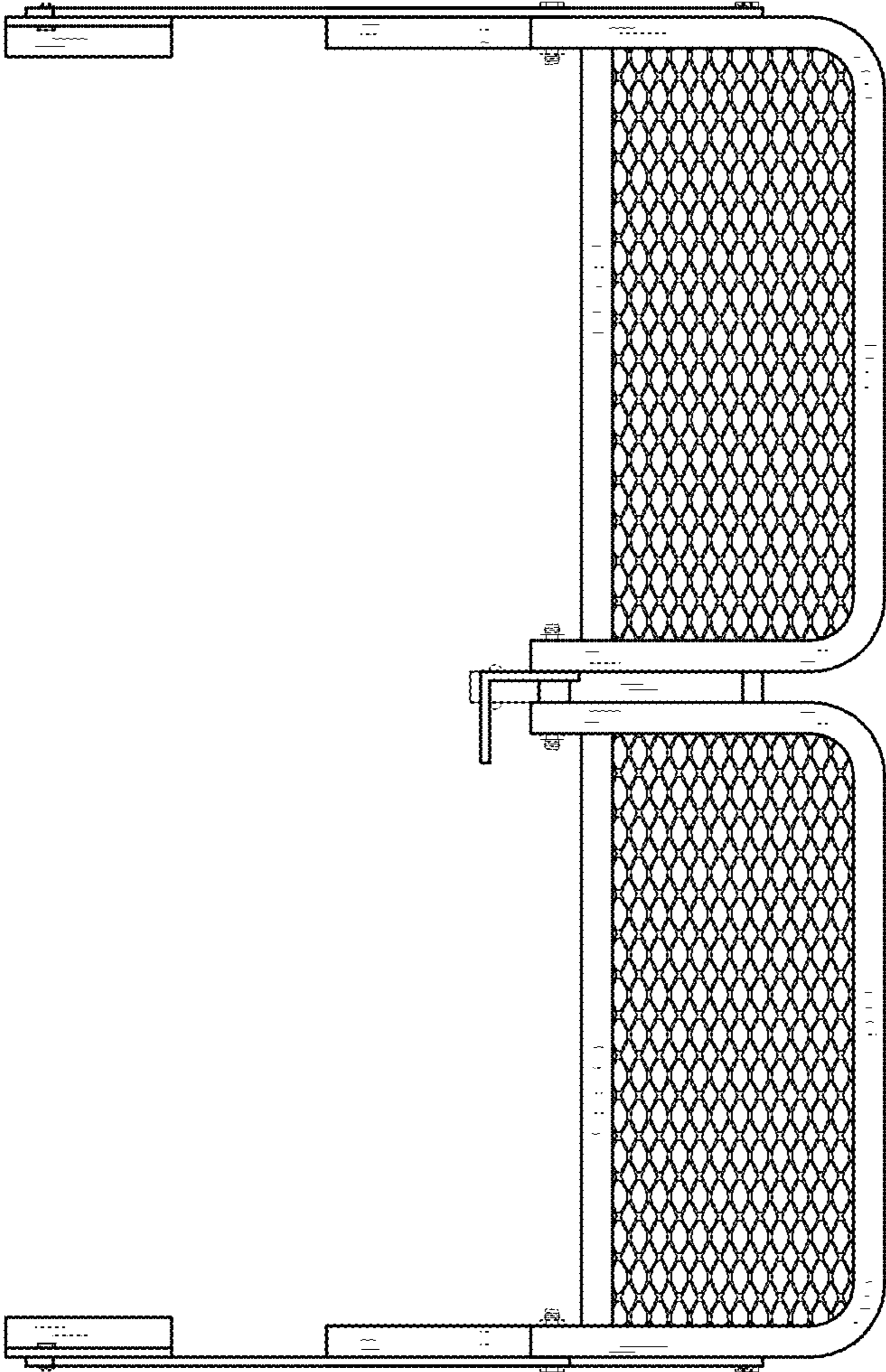


FIG. 4

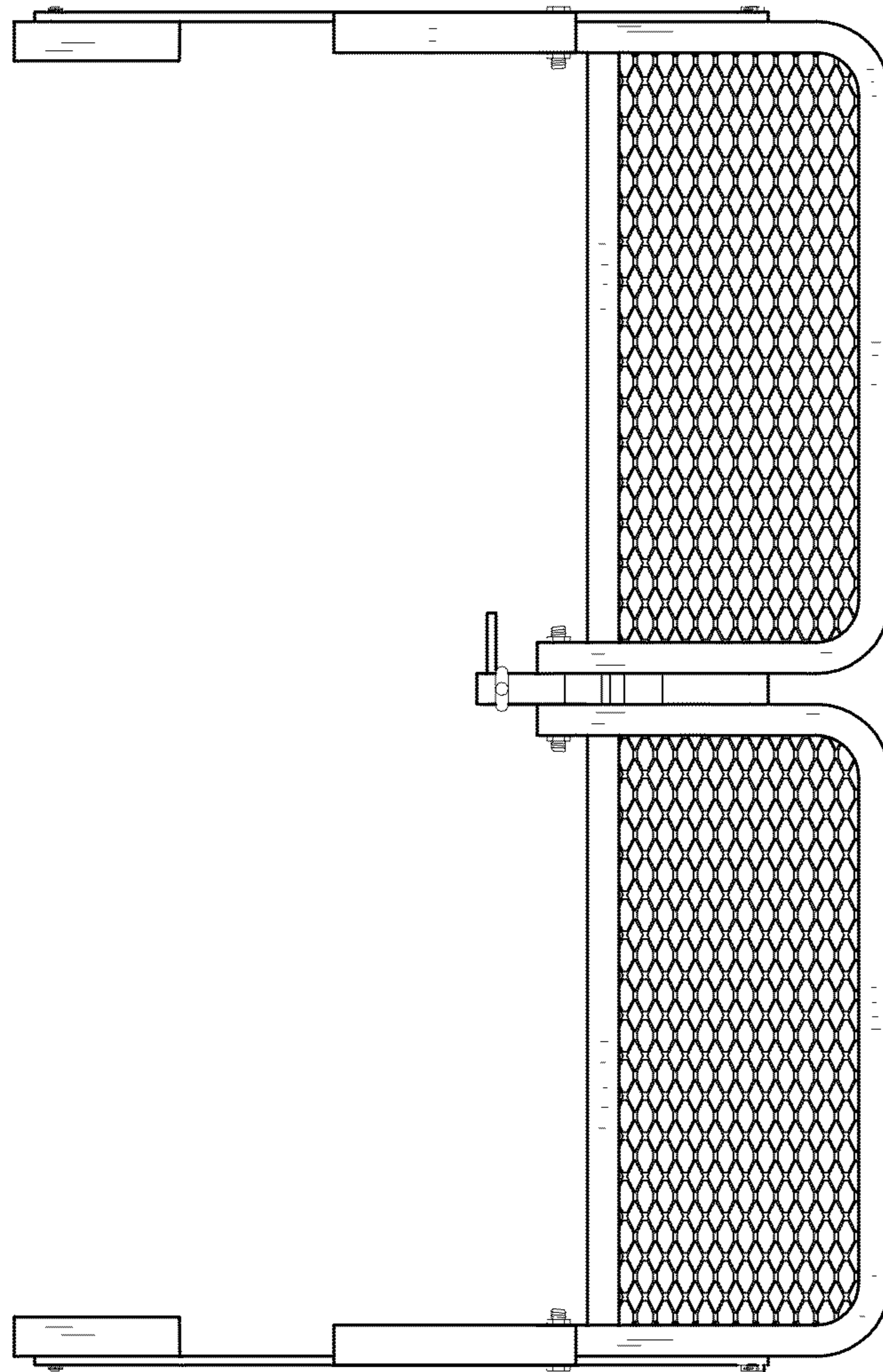


FIG. 5

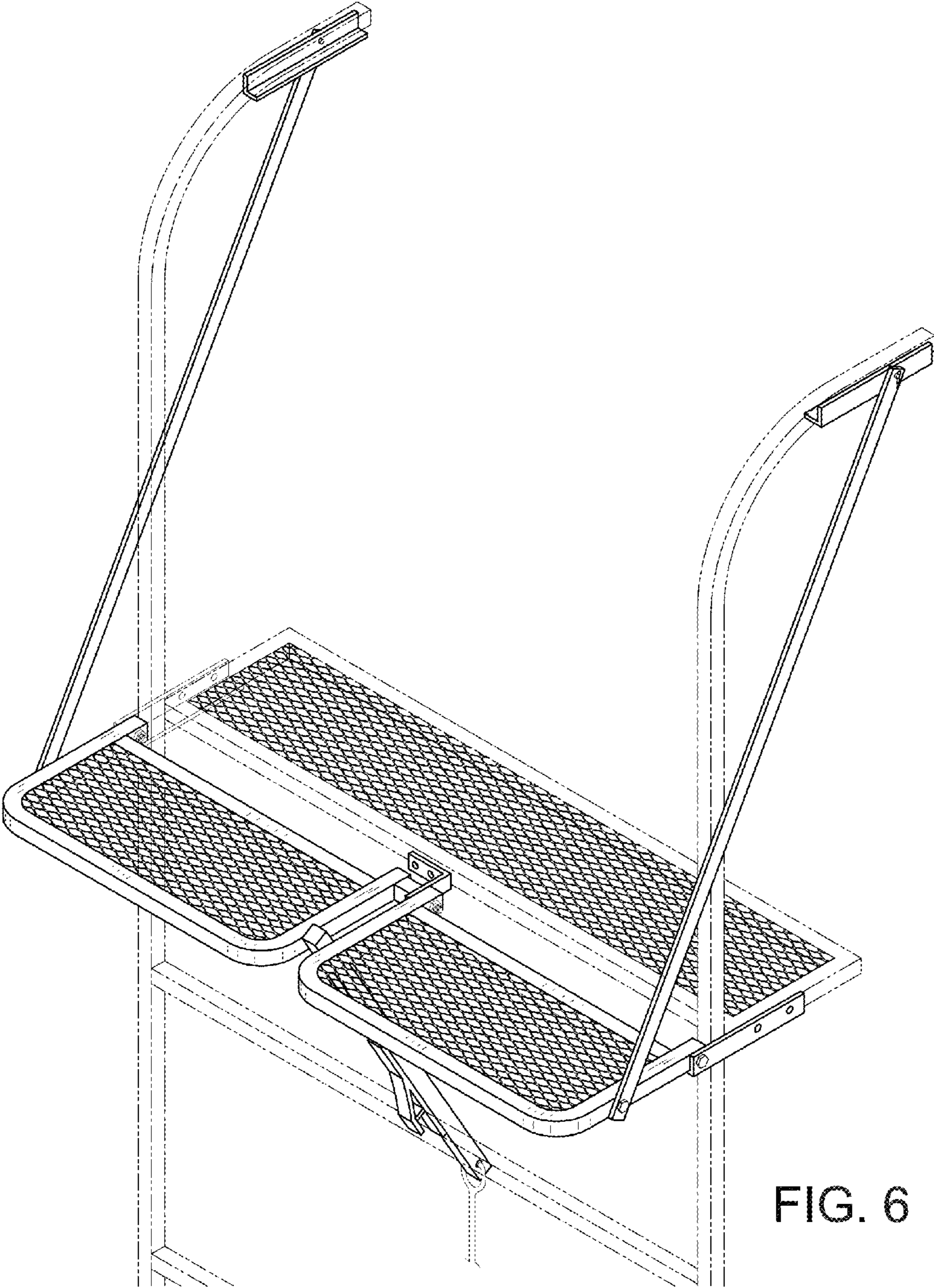


FIG. 6