



US00D702948S

(12) **United States Design Patent**
Timonen

(10) **Patent No.:** **US D702,948 S**
(45) **Date of Patent:** **** Apr. 22, 2014**

(54) **CLEANING BRUSH**

(75) Inventor: **Petri Timonen**, Hyvinkää (FI)

(73) Assignee: **Sinituote Oy**, Hyvinkää (FI)

(**) Term: **14 Years**

(21) Appl. No.: **29/390,512**

(22) Filed: **Apr. 26, 2011**

(30) **Foreign Application Priority Data**

Nov. 4, 2010 (EM) 001776998

(51) **LOC (10) Cl.** **04-01**

(52) **U.S. Cl.**
USPC **D4/114; D4/132; D4/136**

(58) **Field of Classification Search**

USPC D4/114, 115, 132, 134; 15/146, 159.1,
15/160, 171, 172; 401/42, 46, 137, 138,
401/268, 270, 271, 273, 282, 289-291;
D32/45, 50-52

See application file for complete search history.

(56) **References Cited**

U.S. PATENT DOCUMENTS

D54,565 S * 3/1920 Stiles D4/130
1,718,117 A * 6/1929 Dainos 401/289
D100,668 S * 8/1936 Lofgren D32/33
2,736,049 A * 2/1956 Cohen 401/42
4,895,468 A * 1/1990 Chappell 401/270
5,702,195 A * 12/1997 Rittenbaum 401/289
D460,232 S * 7/2002 Weihrauch D32/50
7,540,056 B2 * 6/2009 Dotterman et al. 15/228

FOREIGN PATENT DOCUMENTS

CN 201494413 U * 6/2010 B60S 3/04
GB 2132884 A * 7/1984 A46B 13/06

OTHER PUBLICATIONS

DE 40704126-0001 Registered Design (Gardena Manufacturing GmbH) Feb. 22, 2008, [online], [retrieved on Jul. 10, 2013]. Retrieved from the Designs Register of the German Patent and Trade Mark Office using the Internet: <URL: http://register.dmpa.de>.*

* cited by examiner

Primary Examiner — Melanie H Tung

Assistant Examiner — Lavone D Tabor

(74) *Attorney, Agent, or Firm* — Klauber & Jackson LLC

(57) **CLAIM**

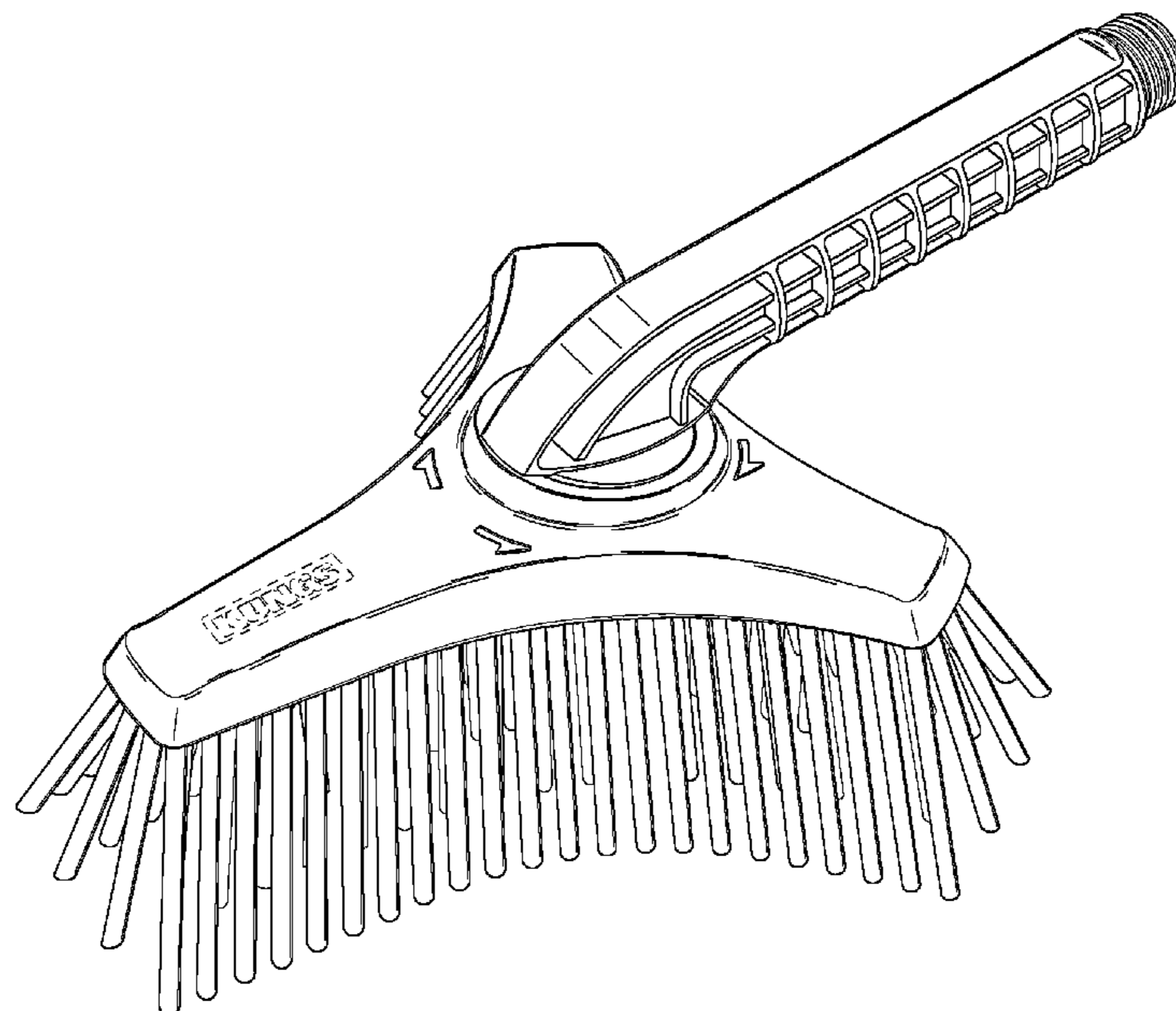
The ornamental design for a cleaning brush, as shown and described.

DESCRIPTION

FIG. 1 is a top, front, left side perspective view of a cleaning brush showing my new design;
FIG. 2 is a top, rear, left side perspective view thereof;
FIG. 3 is a left side view thereof;
FIG. 4 is a right side view thereof;
FIG. 5 is a bottom view thereof;
FIG. 6 is a front view thereof; and,
FIG. 7 is a rear view thereof.

The broken lines featuring the word 'KUNGS,' which is a registered trademark of Sinituote Oy Corporation Finland, in FIGS. 1, 2, and 6 form no part of the claimed design. The broken lines shown on the bottom of the head in FIG. 5 and within the handle in FIG. 7 illustrate portions of the cleaning brush that form no part of the claimed design.

1 Claim, 7 Drawing Sheets



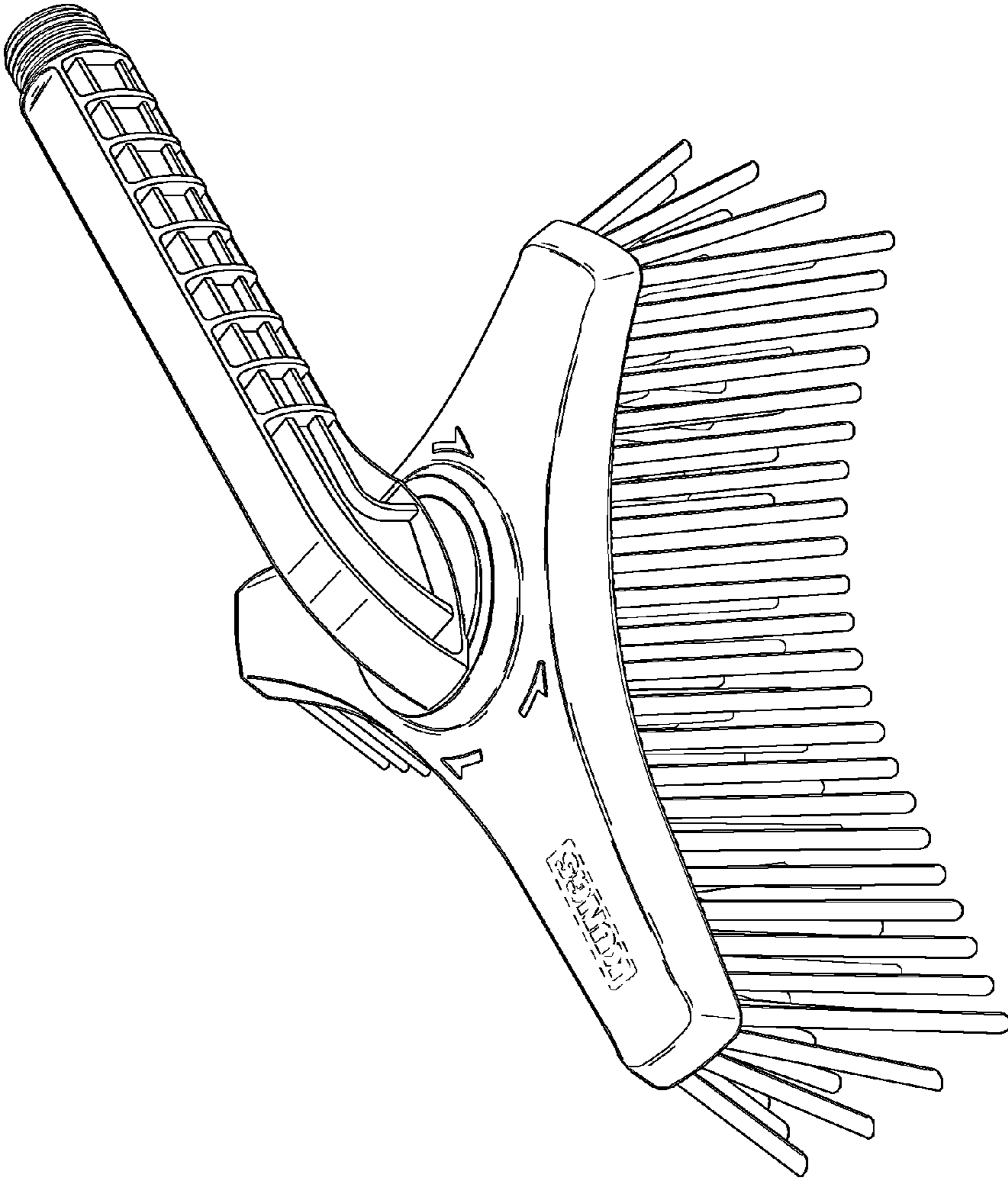


FIG. 1

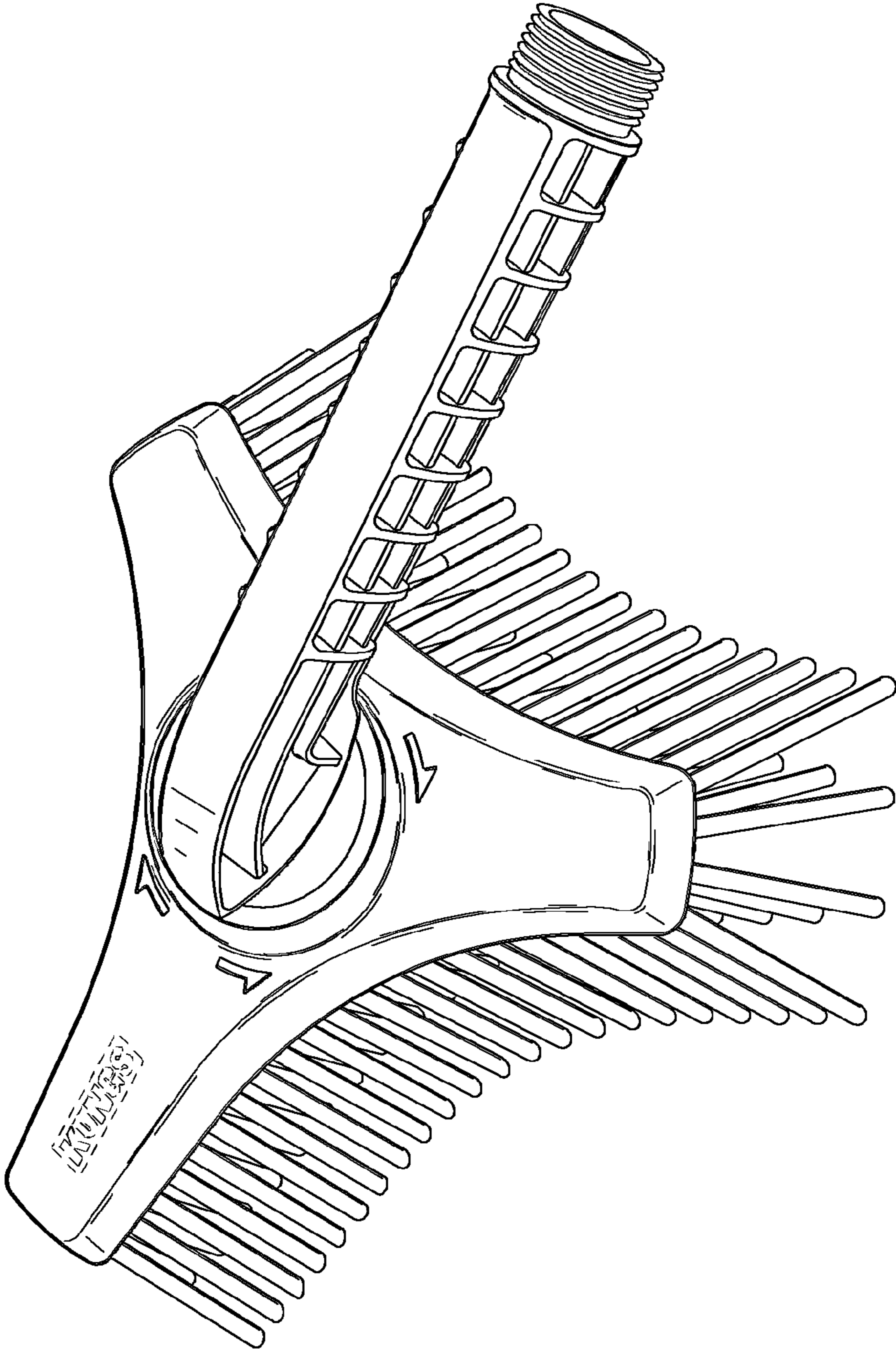


FIG. 2

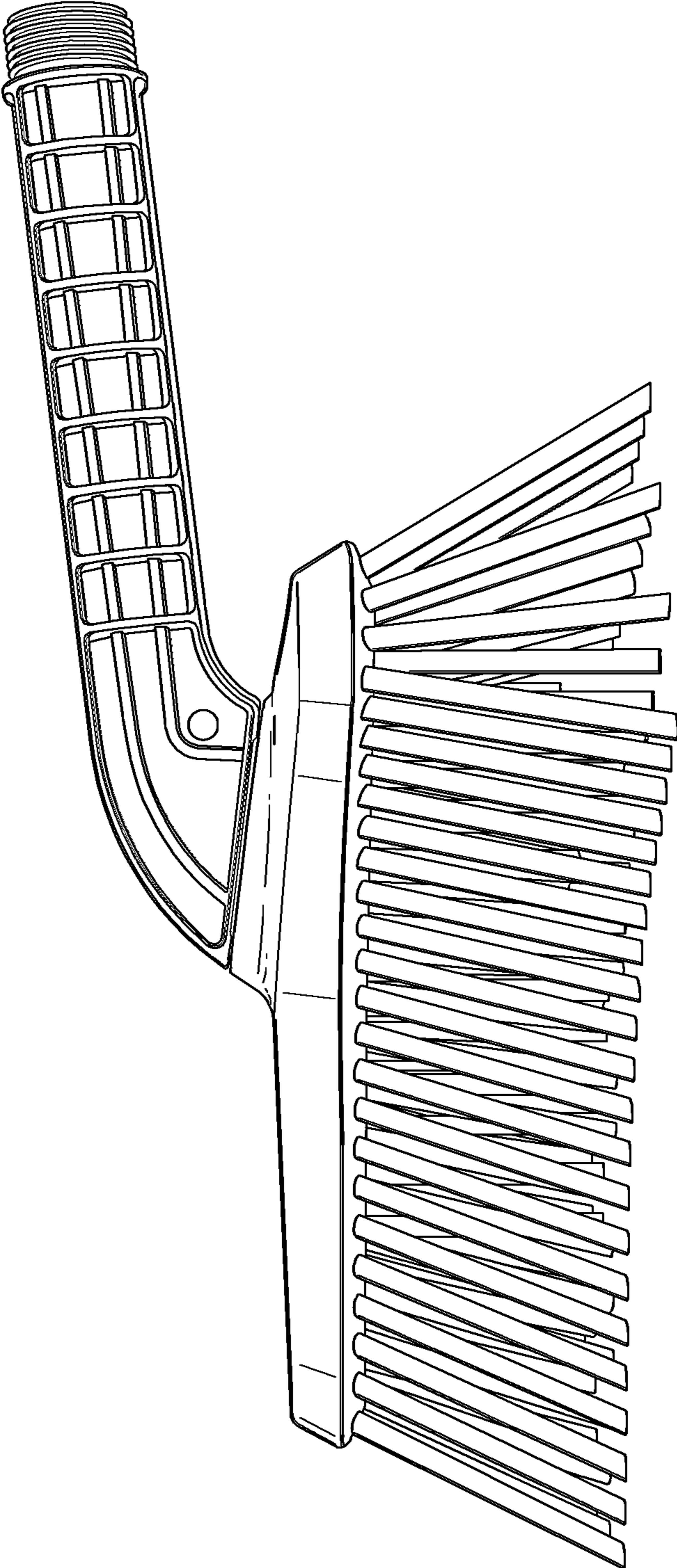


FIG. 3

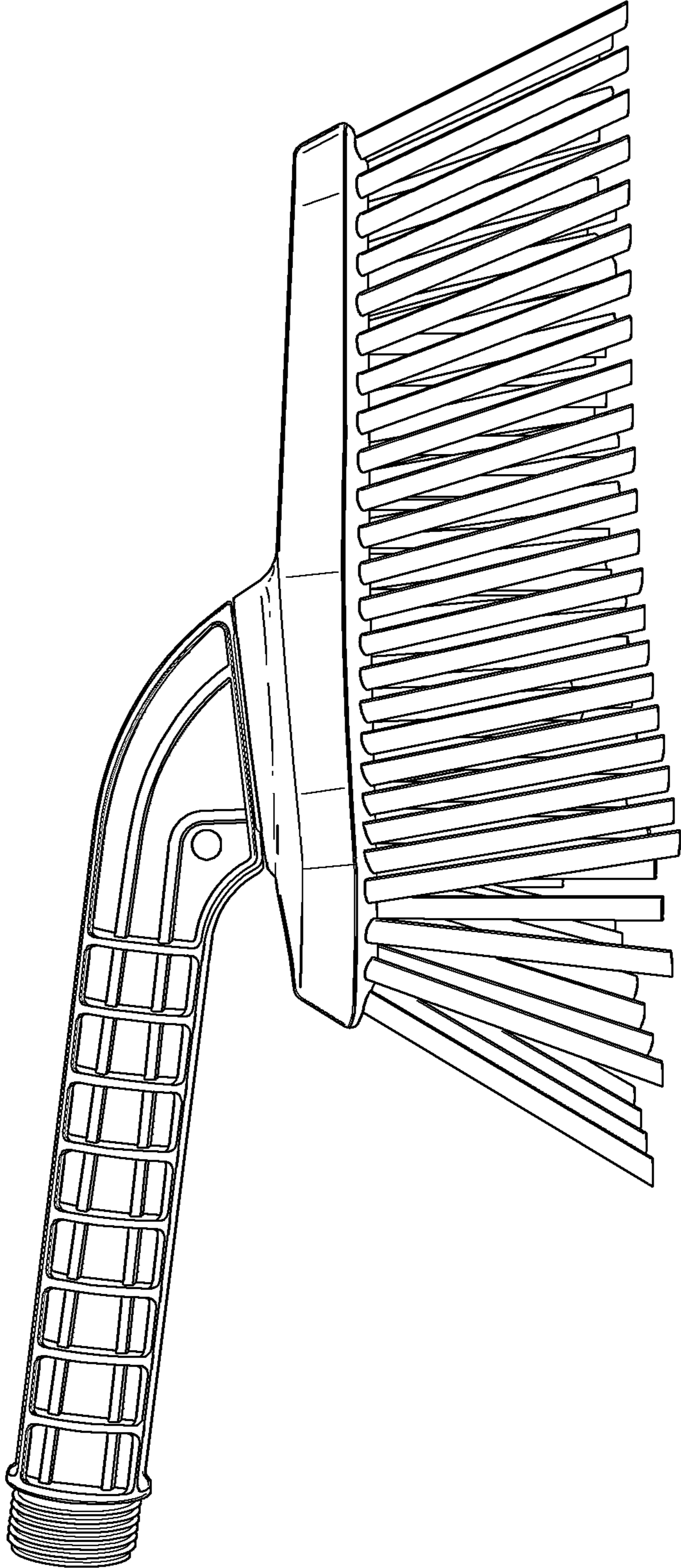


FIG. 4

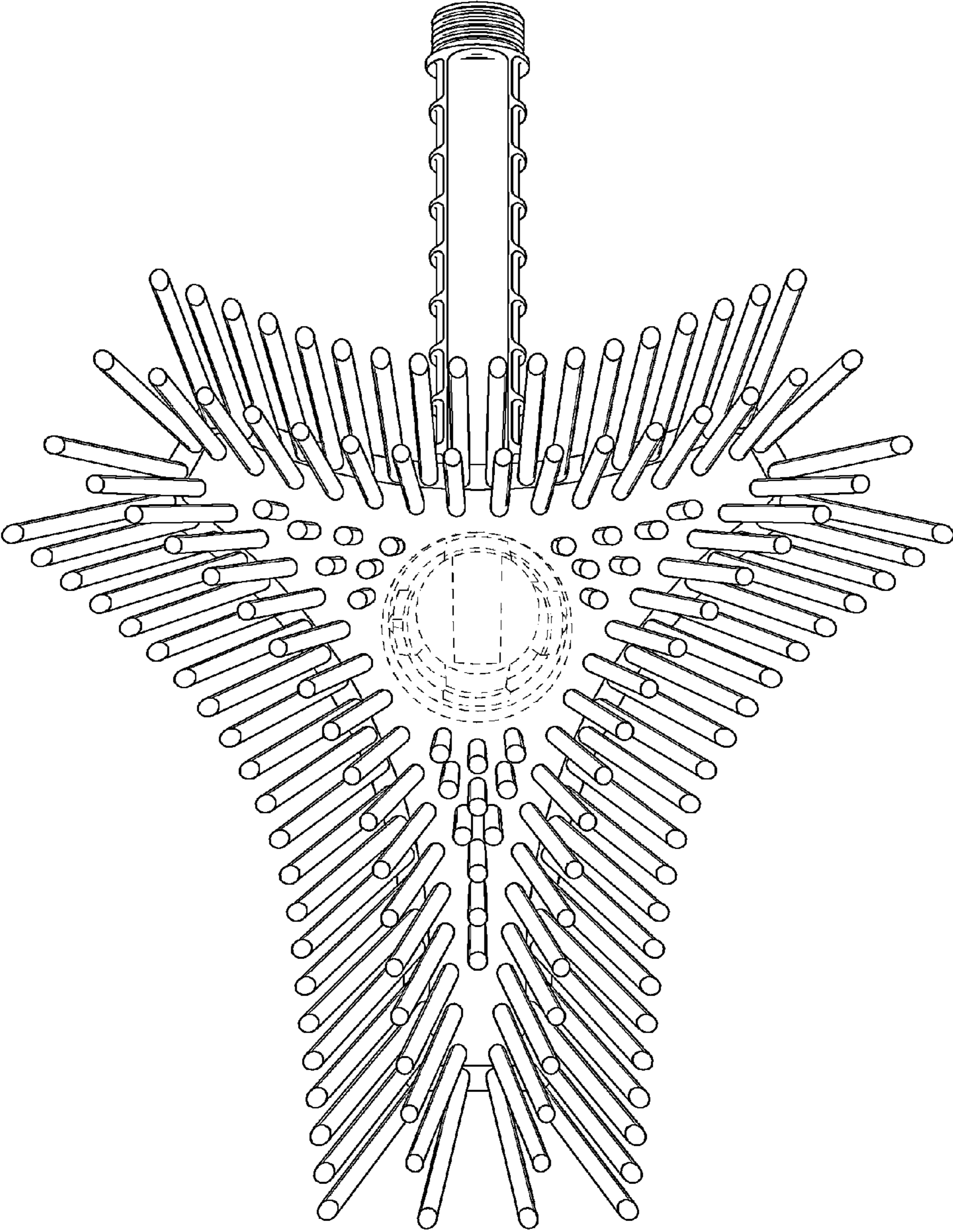


FIG. 5

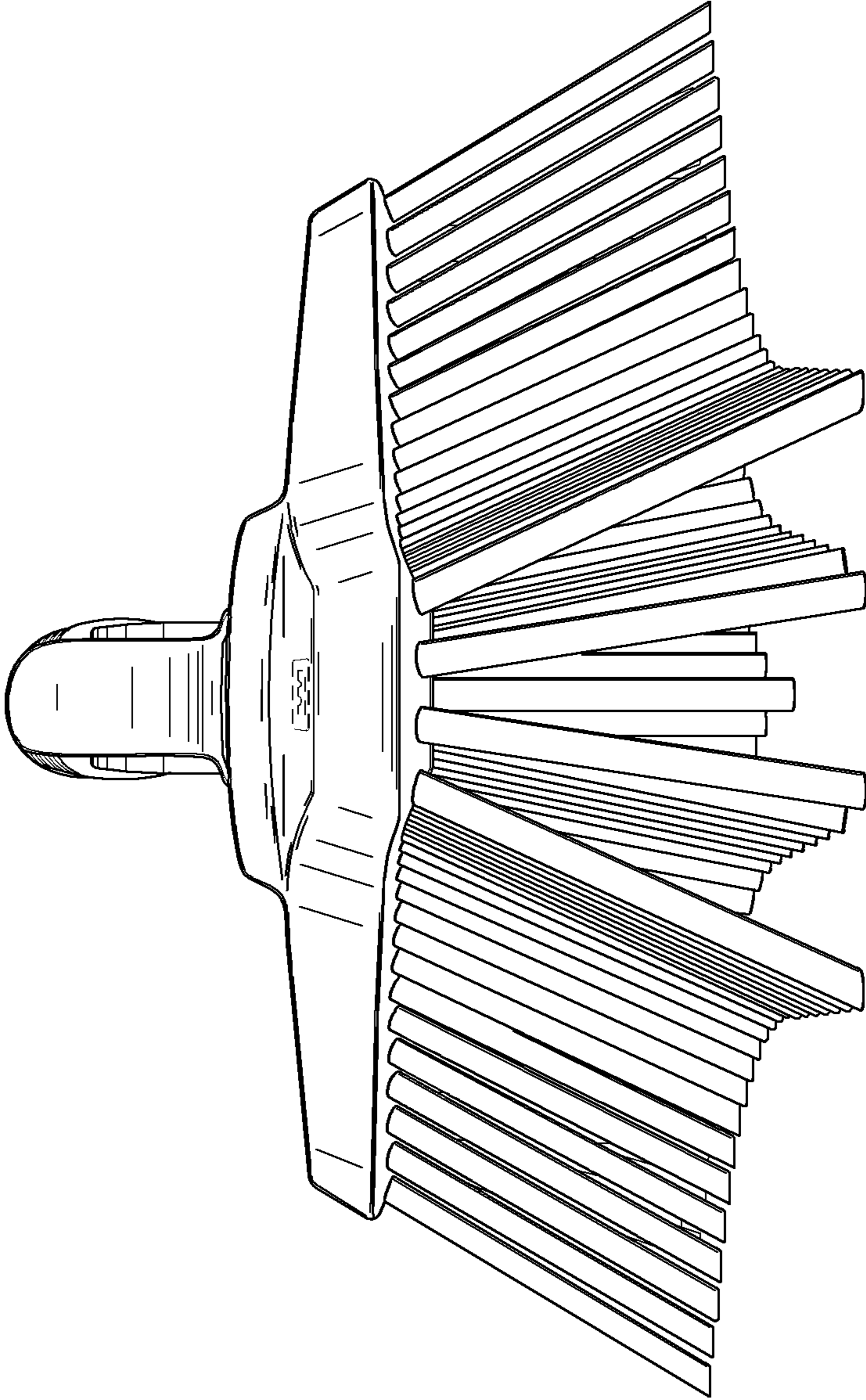


FIG. 6

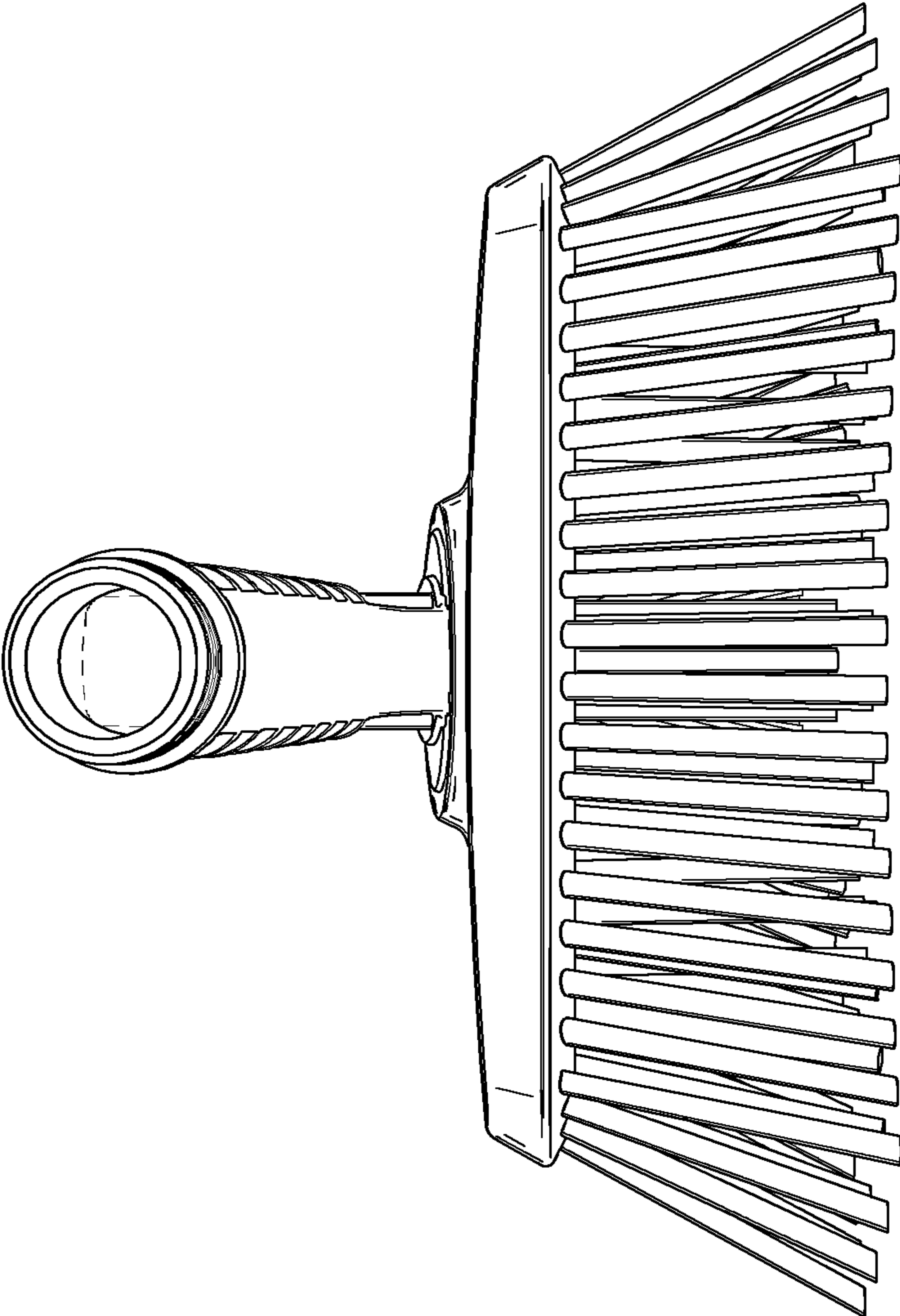


FIG. 7