



US00D702944S

(12) **United States Design Patent**
Sanchez

(10) **Patent No.:** **US D702,944 S**
(45) **Date of Patent:** **** Apr. 22, 2014**

(54) **LUGGAGE INTERIOR**

D611,696 S * 3/2010 Hay D3/205
D611,697 S * 3/2010 Hay D3/205
D670,909 S * 11/2012 Price D3/260

(71) Applicant: **Jeanette Sanchez**, Deming, NM (US)

* cited by examiner

(72) Inventor: **Jeanette Sanchez**, Deming, NM (US)

Primary Examiner — Holly Baynham

(**) Term: **14 Years**

(74) *Attorney, Agent, or Firm* — Maier & Maier, PLLC

(21) Appl. No.: **29/440,823**

(57) **CLAIM**

The ornamental design for a luggage interior, as shown and described.

(22) Filed: **Dec. 27, 2012**

DESCRIPTION

(51) **LOC (10) Cl.** **03-01**

(52) **U.S. Cl.**
USPC **D3/319**

(58) **Field of Classification Search**
USPC D3/318–319; 190/109–110
See application file for complete search history.

FIG. 1 is a perspective view of a luggage interior;
FIG. 2 is a front view thereof;
FIG. 3 is a side view of the divider panels thereof, the other side view being identical;
FIG. 4 is a top view of the divider panels thereof, the bottom view being identical; and,
FIG. 5 is a front view thereof, showing footwear disposed within the luggage.

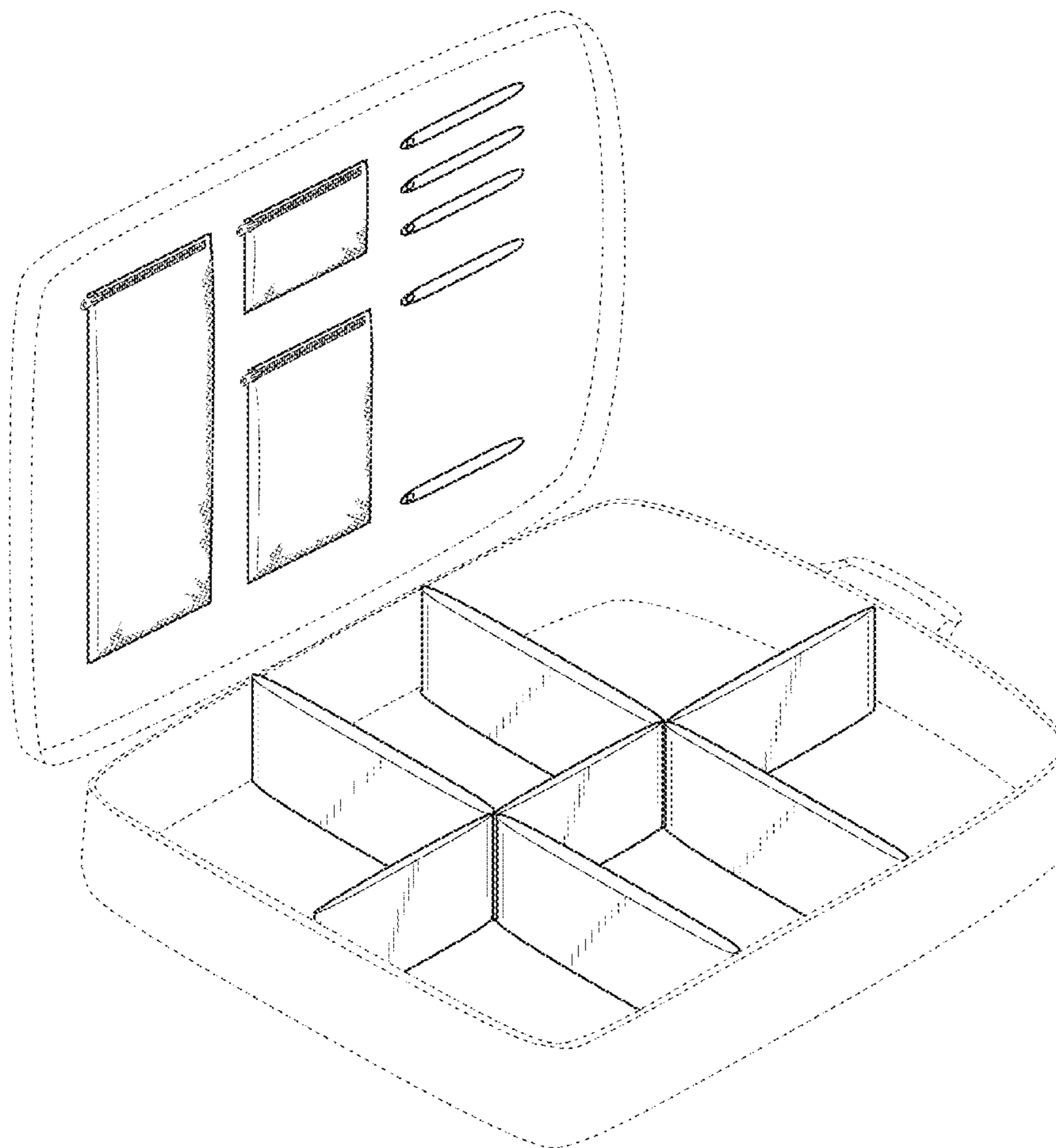
(56) **References Cited**

U.S. PATENT DOCUMENTS

4,209,085 A * 6/1980 Kozan 190/109
6,179,102 B1 * 1/2001 Weber et al. 190/109
D583,152 S * 12/2008 Keeney D3/301

The broken lines showing luggage are for the purposes of illustrating environment and form no part of the claimed design.

1 Claim, 4 Drawing Sheets



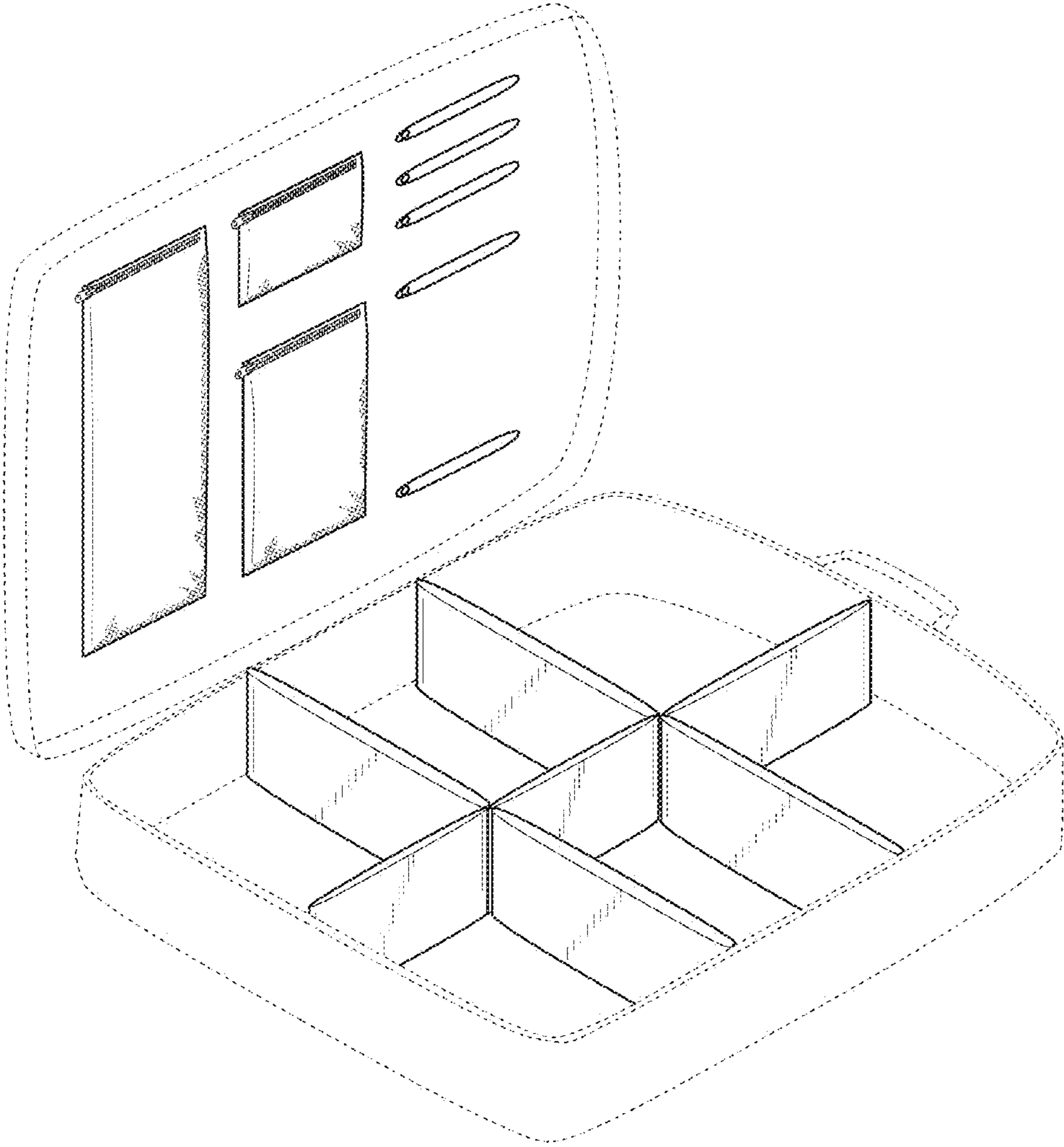


Fig. 1

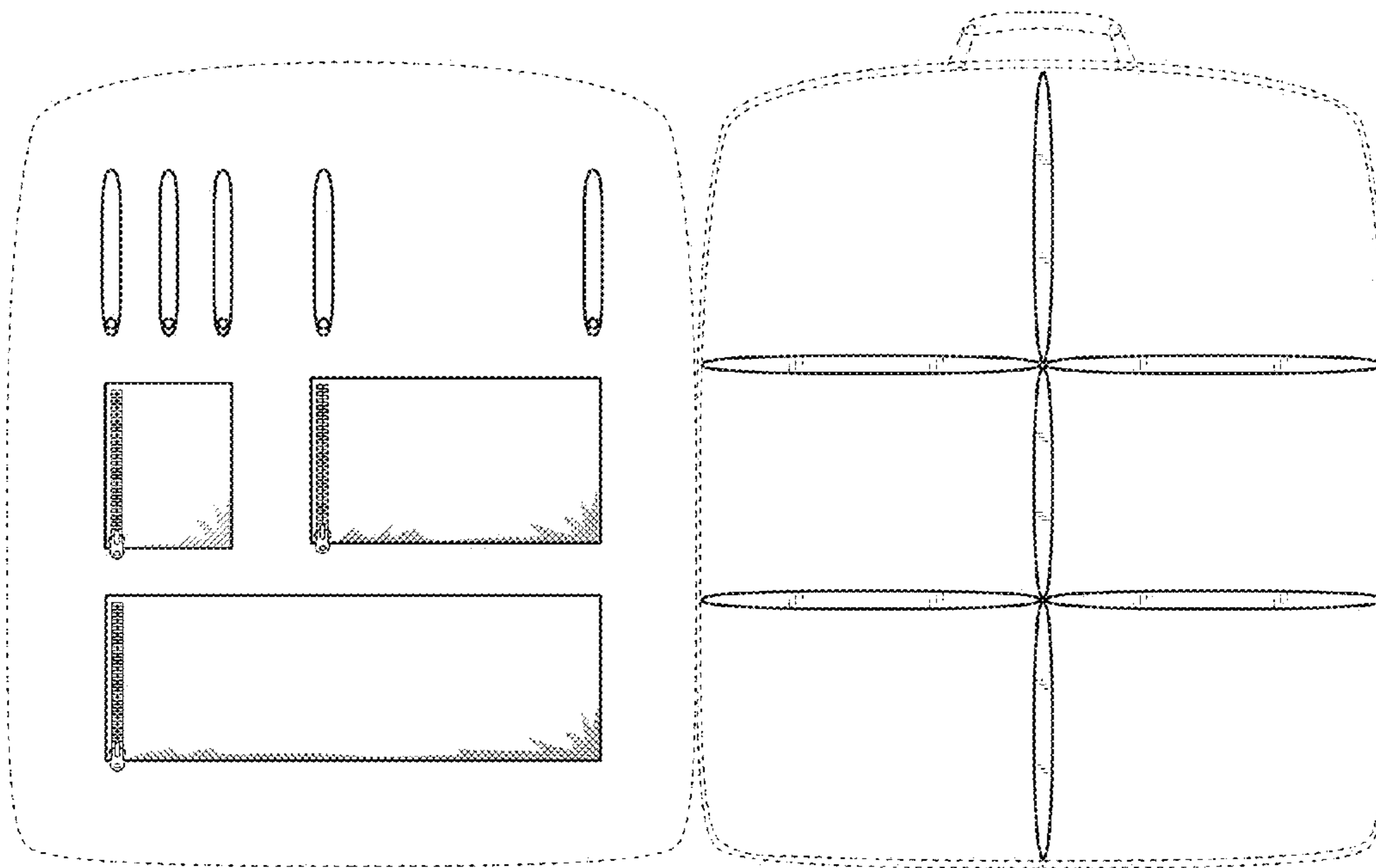


Fig. 2

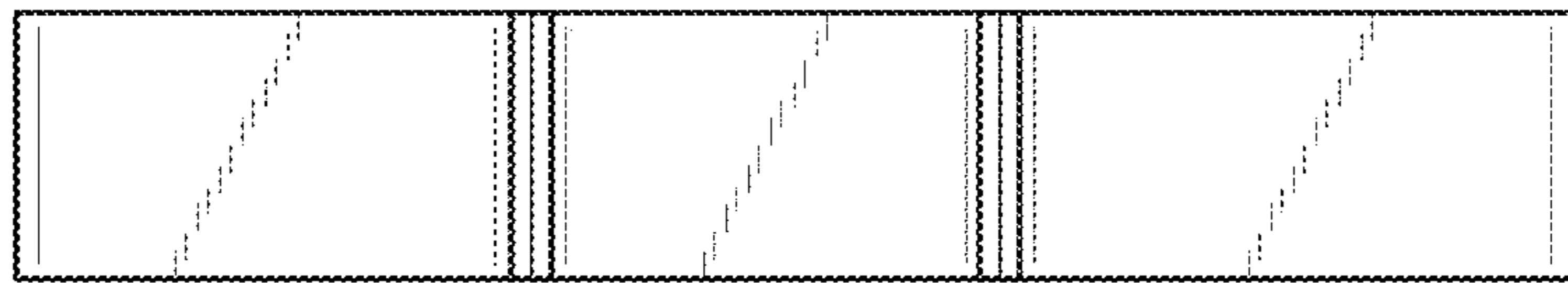


Fig. 3

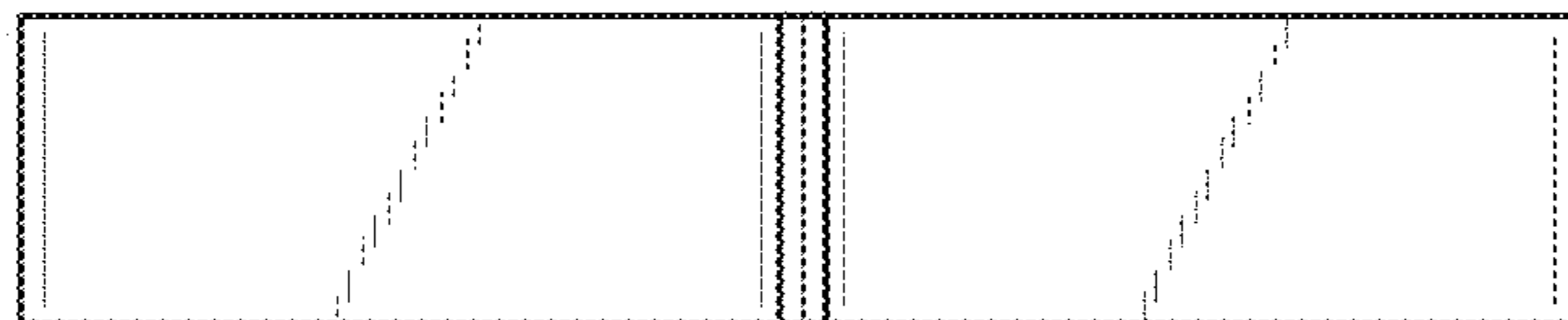


Fig. 4

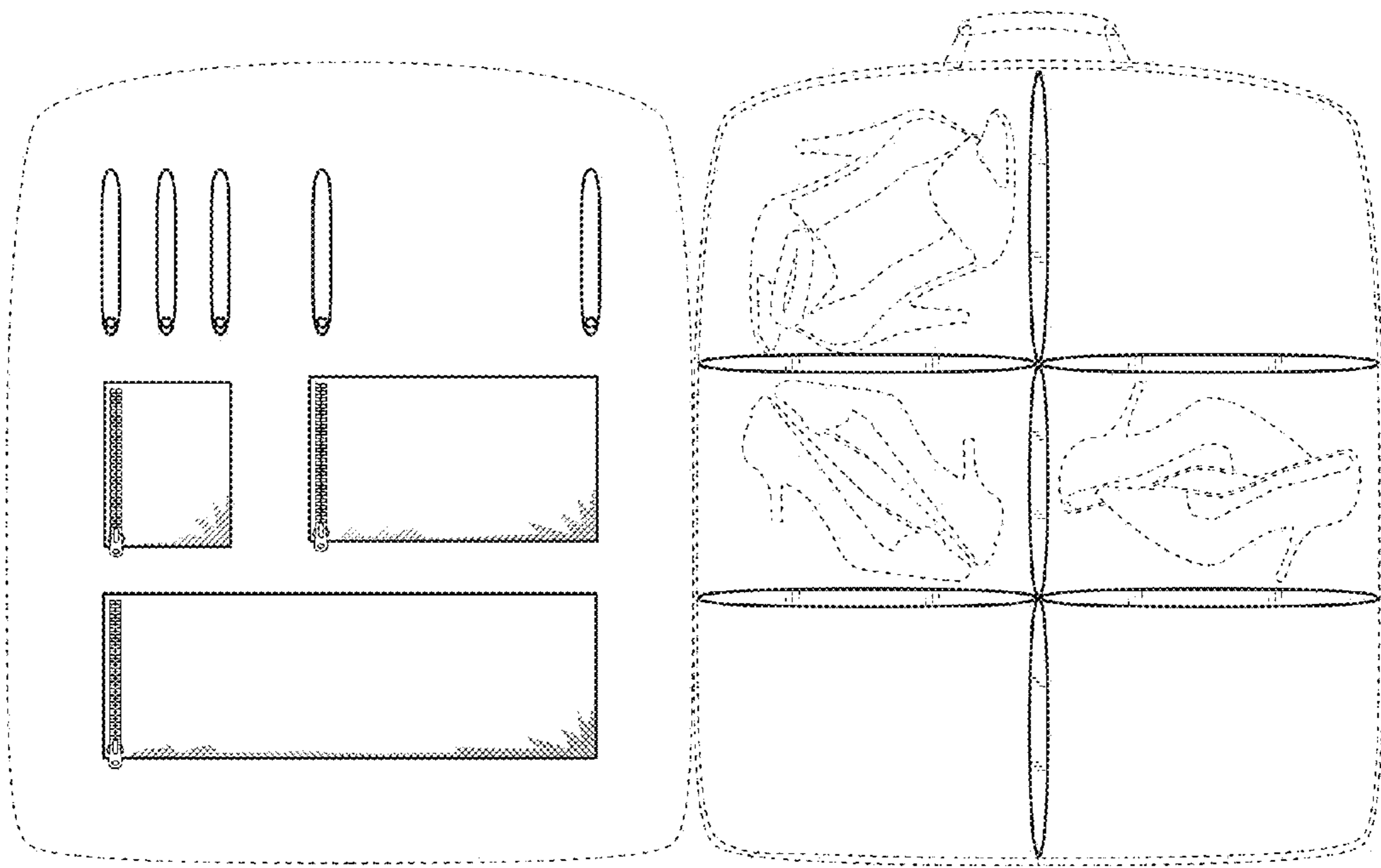


Fig. 5