



US00D702942S

(12) **United States Design Patent**
Redman

(10) **Patent No.:** **US D702,942 S**
(45) **Date of Patent:** **** Apr. 22, 2014**

- (54) **TUBULAR FOLDING CHAIR BAG**
- (71) Applicant: **Janice Johns Redman**, Columbus, OH (US)
- (72) Inventor: **Janice Johns Redman**, Columbus, OH (US)
- (**) Term: **14 Years**
- (21) Appl. No.: **29/445,141**
- (22) Filed: **Feb. 7, 2013**
- (51) **LOC (10) Cl.** **03-01**
- (52) **U.S. Cl.**
USPC **D3/290; D3/254; D3/299**
- (58) **Field of Classification Search**
USPC **D3/254, 276, 290, 291, 299, 316; 206/315.1, 407; 190/8, 107, 115; 297/16.1; 280/47.26**
See application file for complete search history.

2007/0017835 A1* 1/2007 Miller 206/315.1
 2010/0066131 A1* 3/2010 Smith 297/16.1
 2013/0206526 A1* 8/2013 Huff 190/110

* cited by examiner

Primary Examiner — Jennifer Rivard
 (74) *Attorney, Agent, or Firm* — Miracle IP; Bryce D. Miracle

(57) **CLAIM**

I claim the ornamental design for the tubular folding chair bag, substantially as shown and described.

DESCRIPTION

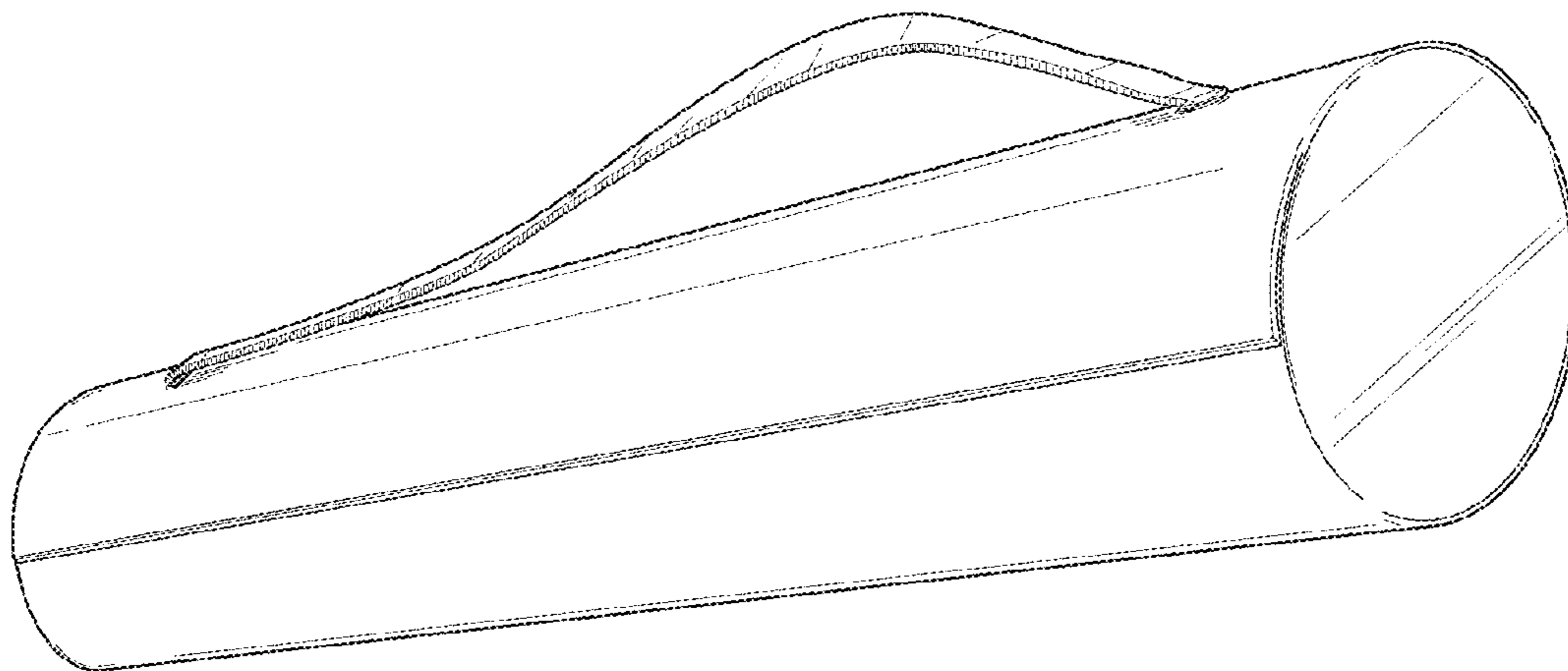
FIG. 1 is a perspective view of the tubular folding chair bag in the closed position showing the new design;
 FIG. 2 is a perspective view thereof in the open position;
 FIG. 3 is a right side elevation view thereof;
 FIG. 4 is a front elevation view thereof;
 FIG. 5 is a back elevation view of the first embodiment of the tubular folding chair bag;
 FIG. 6 is a left side elevation view of the first embodiment;
 FIG. 7 is a back elevation view of the second embodiment of the tubular folding chair bag with a pocket;
 FIG. 8 is a left side elevation view of the second embodiment; and,
 FIG. 9 is a perspective exemplary diagram view thereof.
 The broken line disclosure of the chair illustrates the environment of the tubular folding chair bag and forms no part of the claimed design.

(56) **References Cited**

U.S. PATENT DOCUMENTS

3,842,977	A *	10/1974	Hollander	206/407
3,998,304	A *	12/1976	Edgerton et al.	190/107
4,164,275	A *	8/1979	Davis	190/2
4,402,355	A *	9/1983	Wymore et al.	206/315.1
D271,162	S *	11/1983	Evans	D3/254
D283,758	S *	5/1986	Stewart et al.	D7/703
D343,954	S *	2/1994	Simmons	D22/107
5,435,025	A *	7/1995	Gerard et al.	5/419
D395,751	S *	7/1998	Dominique	D3/233
5,887,711	A *	3/1999	McAuliffe	206/292
2005/0140103	A1 *	6/2005	Marchant et al.	280/47.26

1 Claim, 5 Drawing Sheets



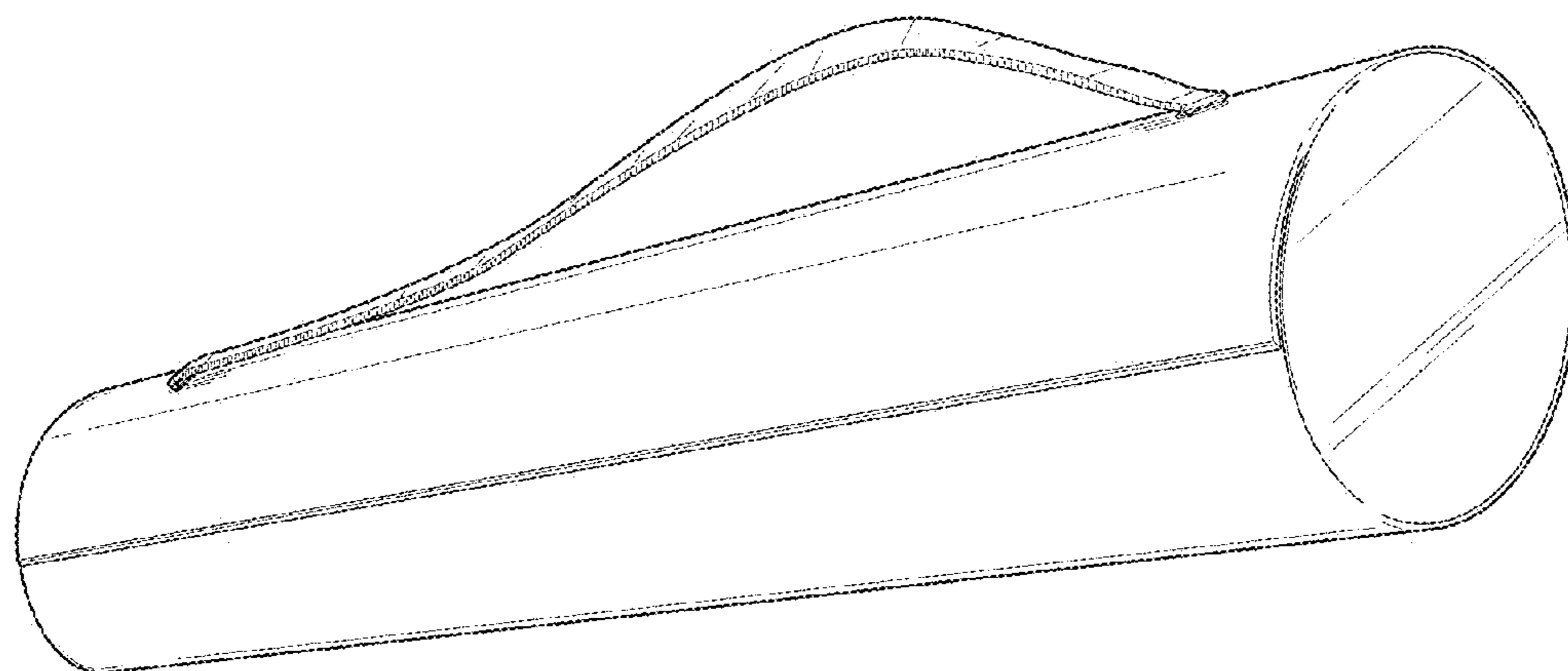


FIG. 1

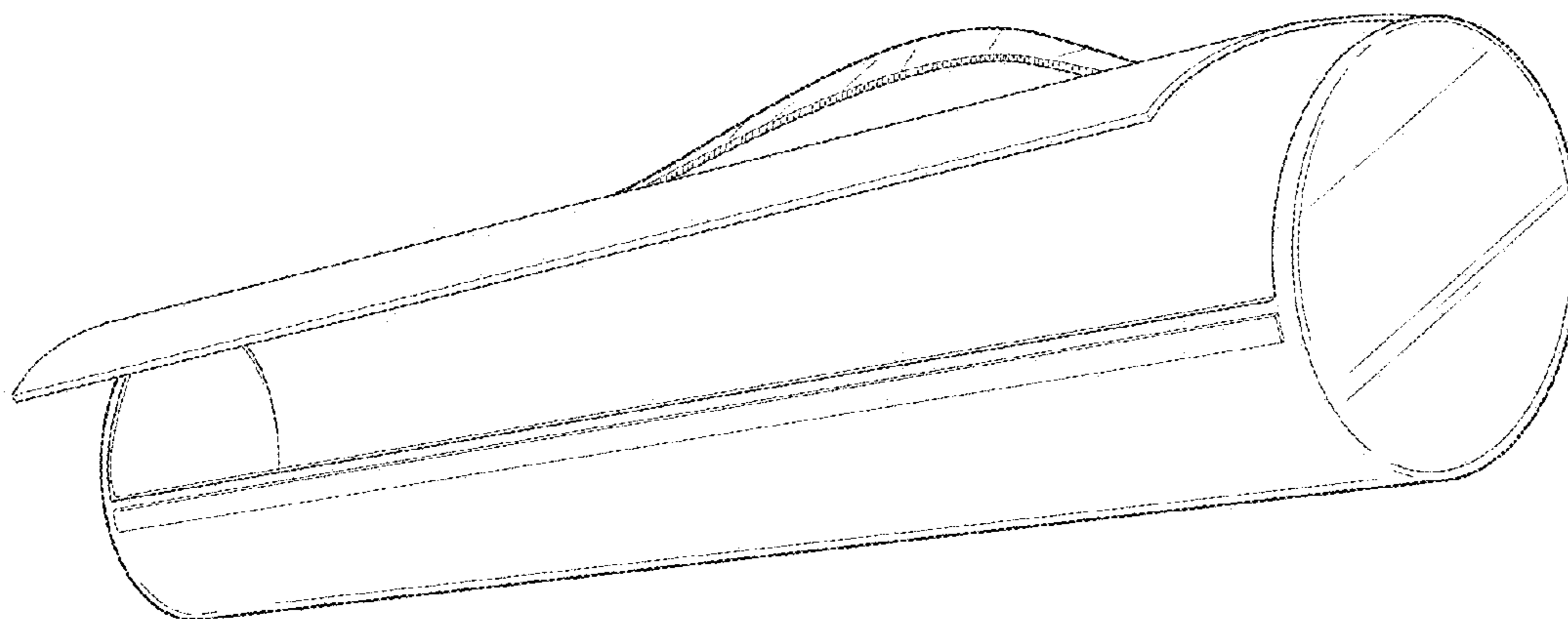


FIG. 2

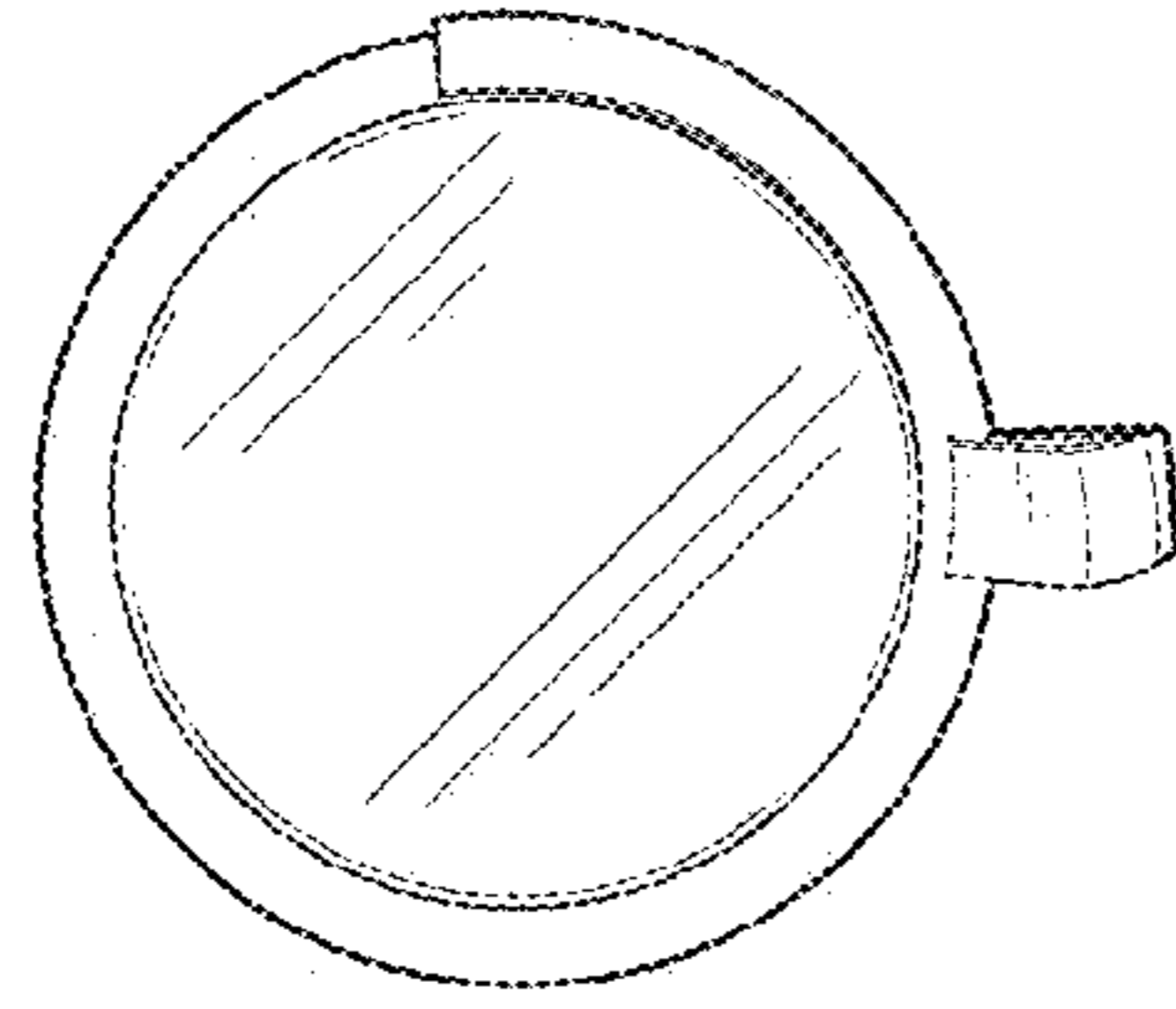


FIG. 3

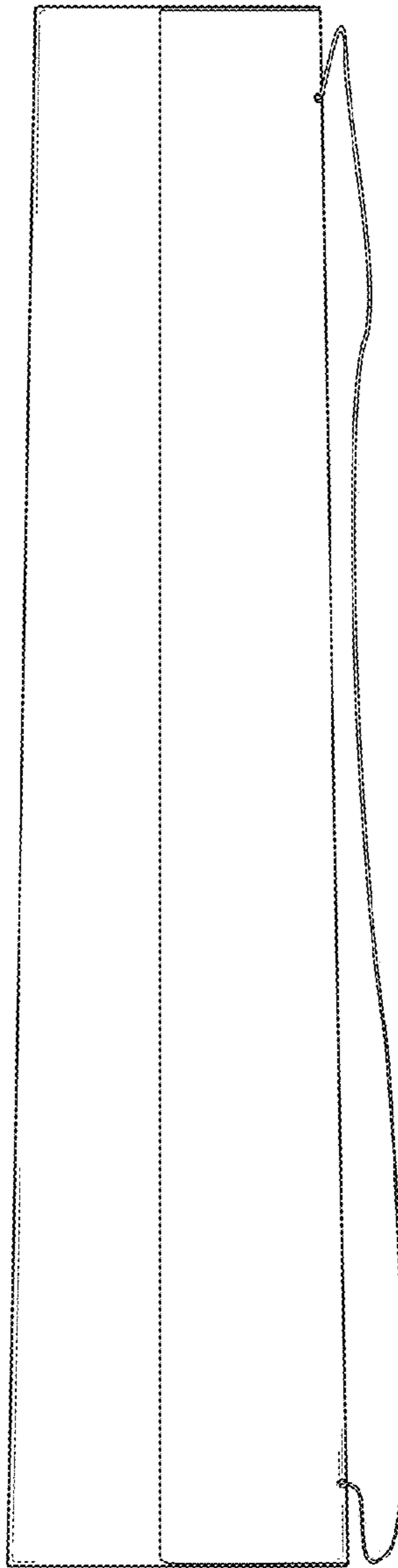


FIG. 4

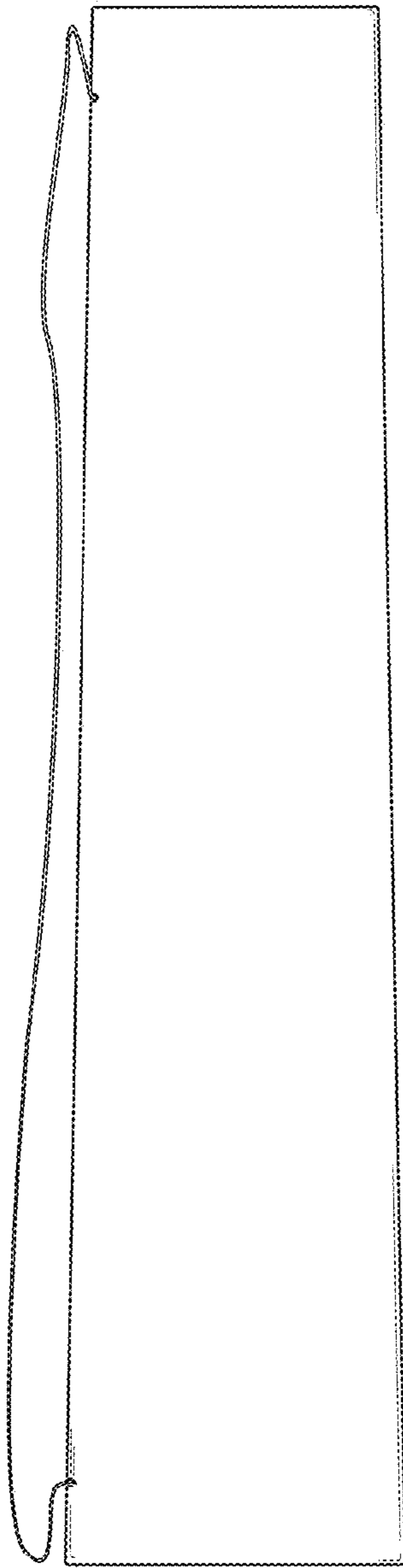


FIG. 5

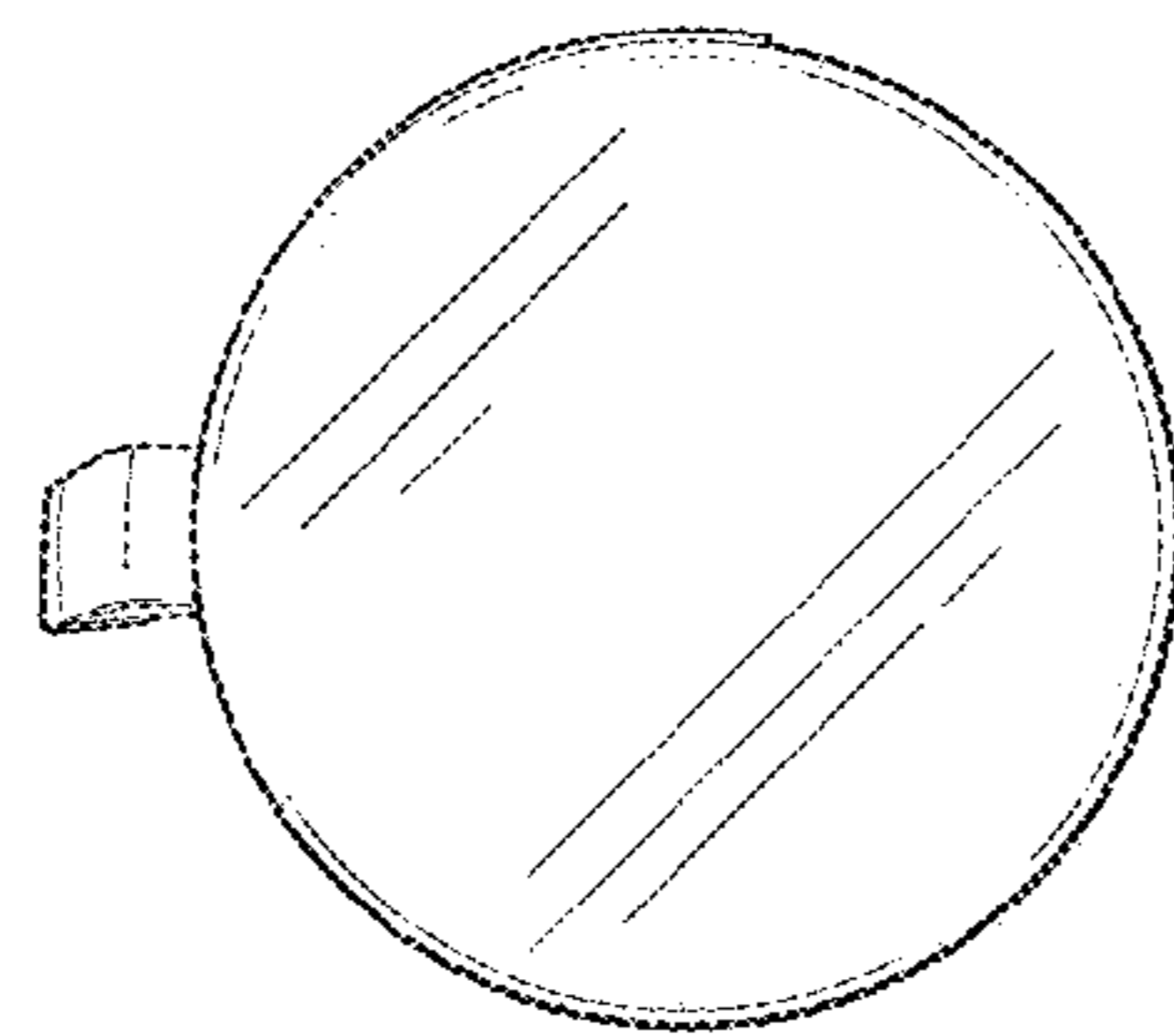


FIG. 6

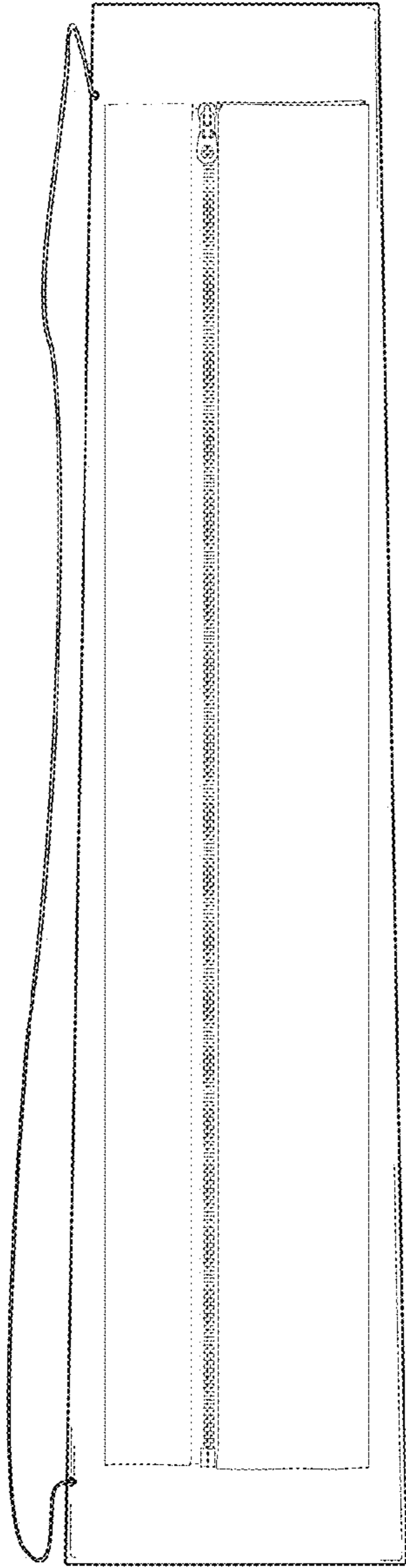


FIG. 7

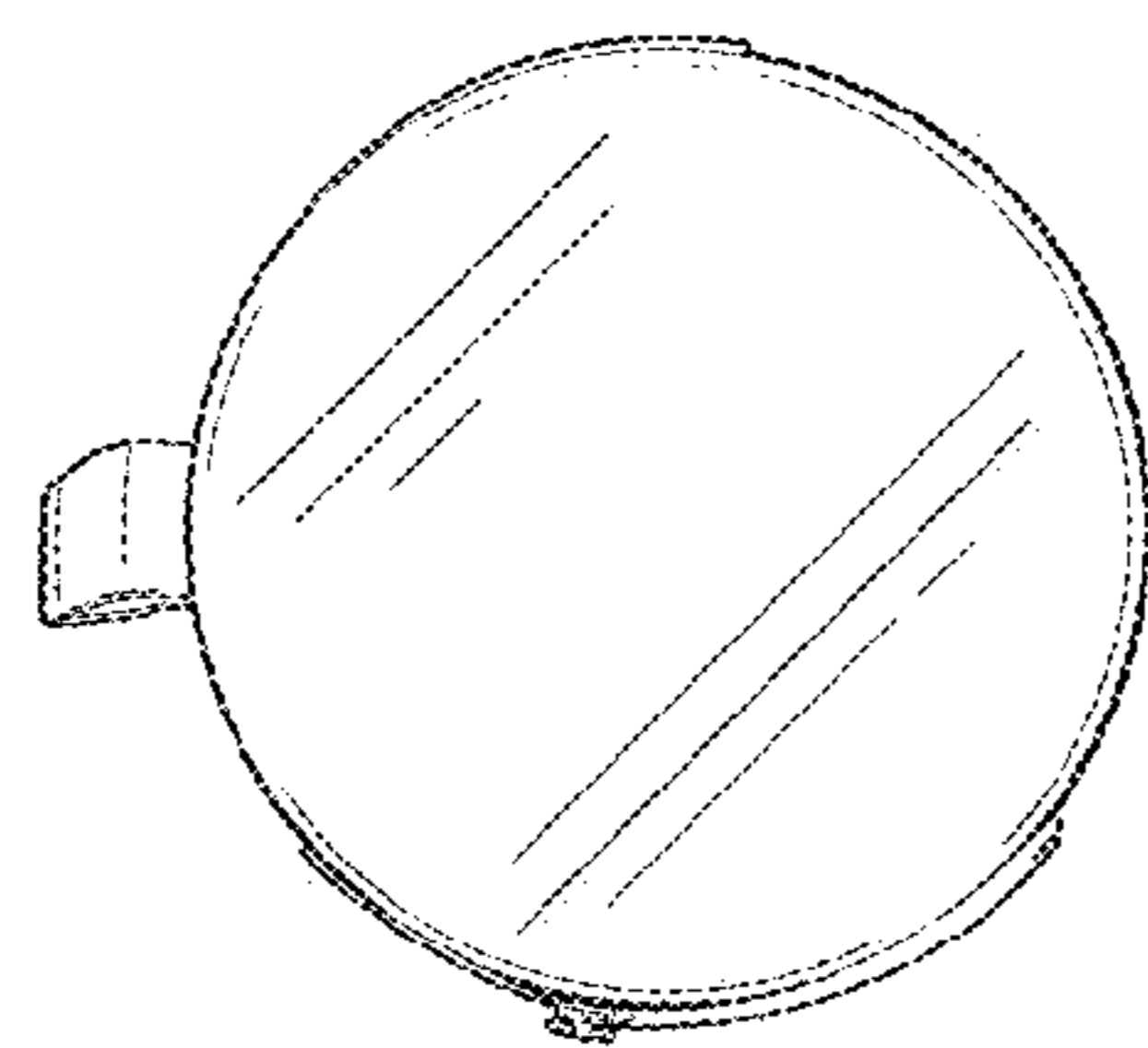


FIG. 8

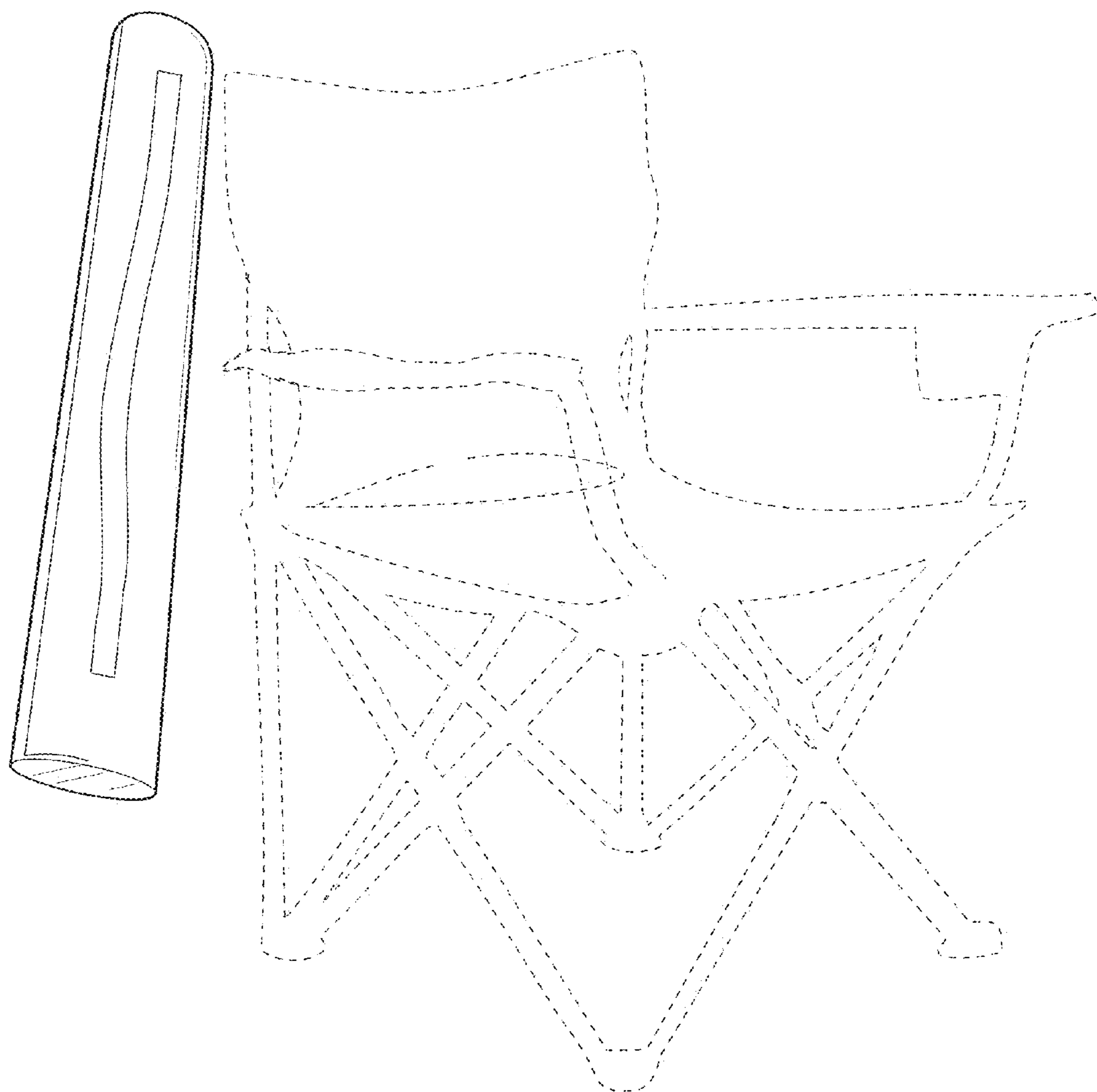


FIG. 9