



US00D702941S

(12) **United States Design Patent**
Frahm et al.

(10) **Patent No.:** **US D702,941 S**
(45) **Date of Patent:** **** Apr. 22, 2014**

(54) **TOOLBOX**
(75) Inventors: **Soren X. Frahm**, Horsens (DK); **Robert Byriel Riedel**, Horsens (DK)
(73) Assignee: **raaco International A/S** (DK)
(**) Term: **14 Years**
(21) Appl. No.: **29/429,617**
(22) Filed: **Aug. 14, 2012**

D439,046 S * 3/2001 Cheng D3/276
D461,051 S * 8/2002 Cheng D3/276
D634,929 S * 3/2011 Bizzell D3/276
D652,170 S * 1/2012 Snow et al. D28/54
D672,954 S * 12/2012 Frahm et al. D3/276
2008/0060967 A1* 3/2008 Chang 206/521
2008/0169739 A1* 7/2008 Goldenberg 312/244

* cited by examiner

Primary Examiner — Jennifer Rivard
(74) *Attorney, Agent, or Firm* — St. Onge Steward Johnston & Reens LLC

(30) **Foreign Application Priority Data**
Feb. 22, 2012 (WO) 654422801
(51) **LOC (10) CL.** **03-01**
(52) **U.S. Cl.**
USPC **D3/276; D9/900; D9/905**
(58) **Field of Classification Search**
USPC 206/349, 372–379; D3/273, 276,
D3/280–288, 291–297, 900–905;
190/115–118
See application file for complete search history.

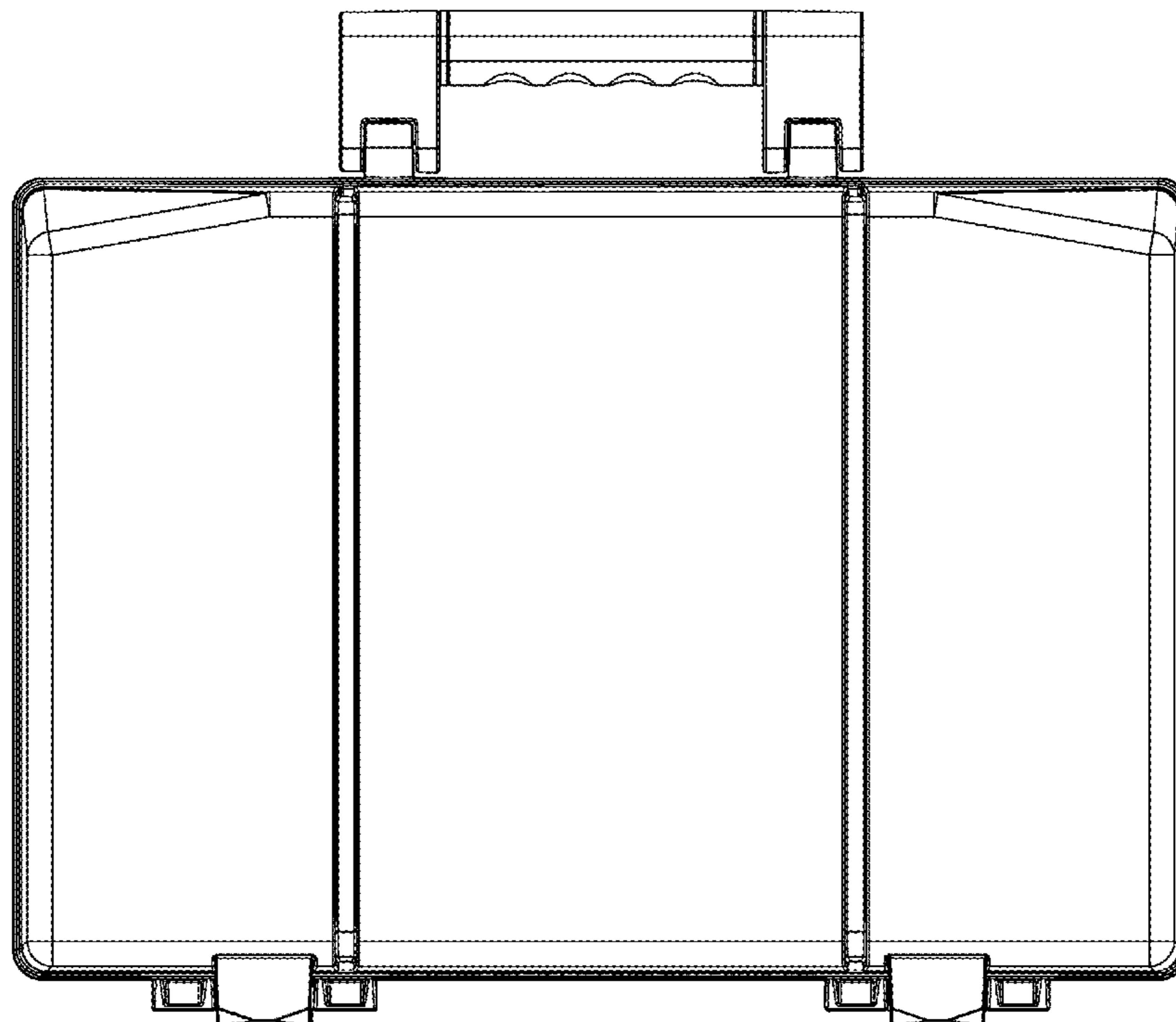
(57) **CLAIM**
The ornamental design for a toolbox, as shown and described.

DESCRIPTION

FIG. 1 is a rear elevation view of a toolbox in accordance with the new design;
FIG. 2 is a front elevation view thereof;
FIG. 3 is a top plan view thereof;
FIG. 4 is a bottom plan view thereof;
FIG. 5 is a left side elevation view thereof;
FIG. 6 is a right side elevation view thereof;
FIG. 7 is a top, rear, and right side perspective view thereof;
and,
FIG. 8 is a bottom, front, and left side perspective view thereof.
The raaco forming part of the claimed design is a registered trademark of Raaco International.

(56) **References Cited**
U.S. PATENT DOCUMENTS
1,032,047 A * 7/1912 Curd 190/119
D63,167 S * 10/1923 Axelman et al. D3/292
1,817,518 A * 8/1931 Lacher 190/119
D282,411 S * 2/1986 Bomes et al. D3/279
D308,760 S * 6/1990 King D3/292
6,062,385 A * 5/2000 Cho 206/373

1 Claim, 8 Drawing Sheets



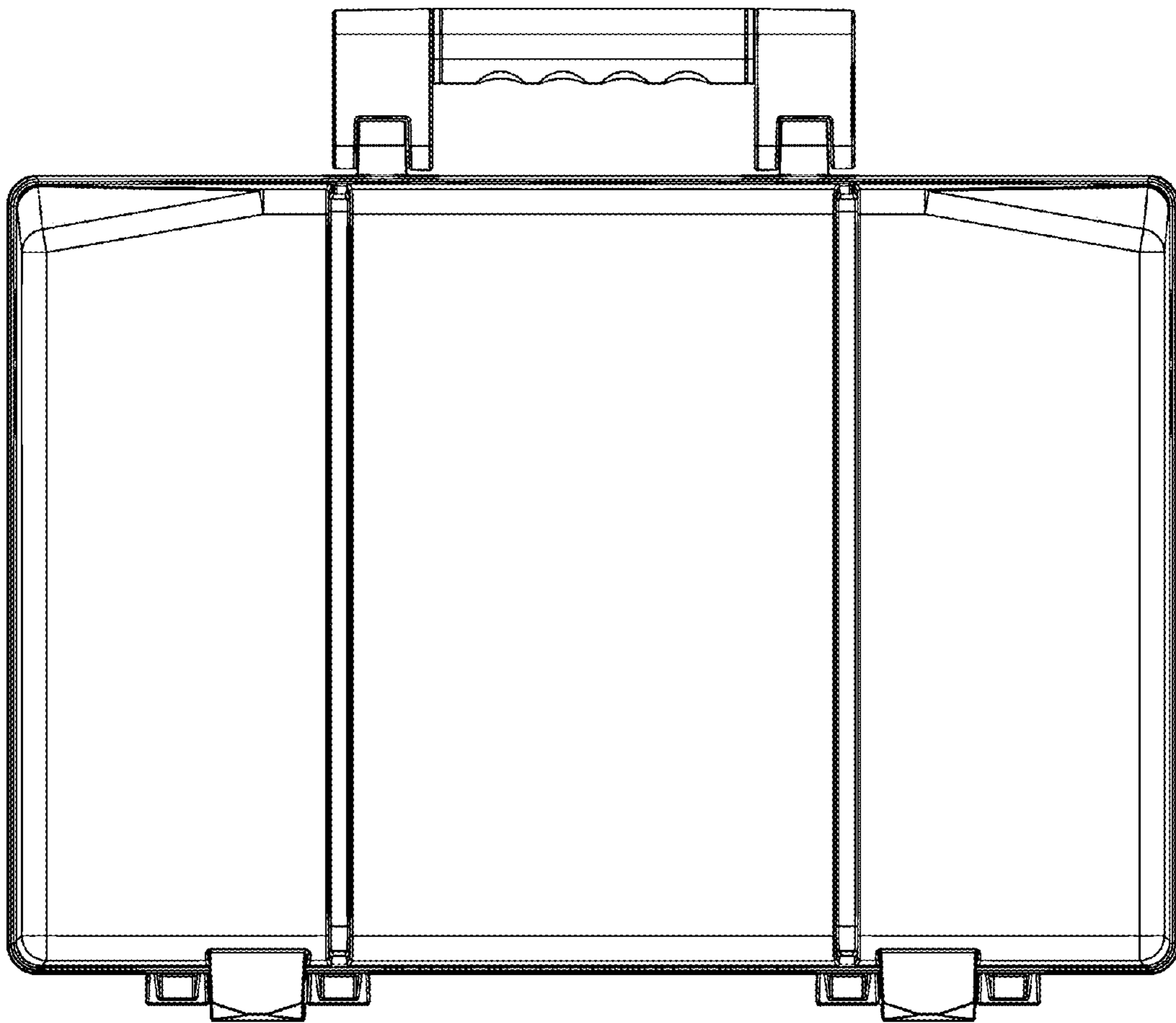


FIG. 1

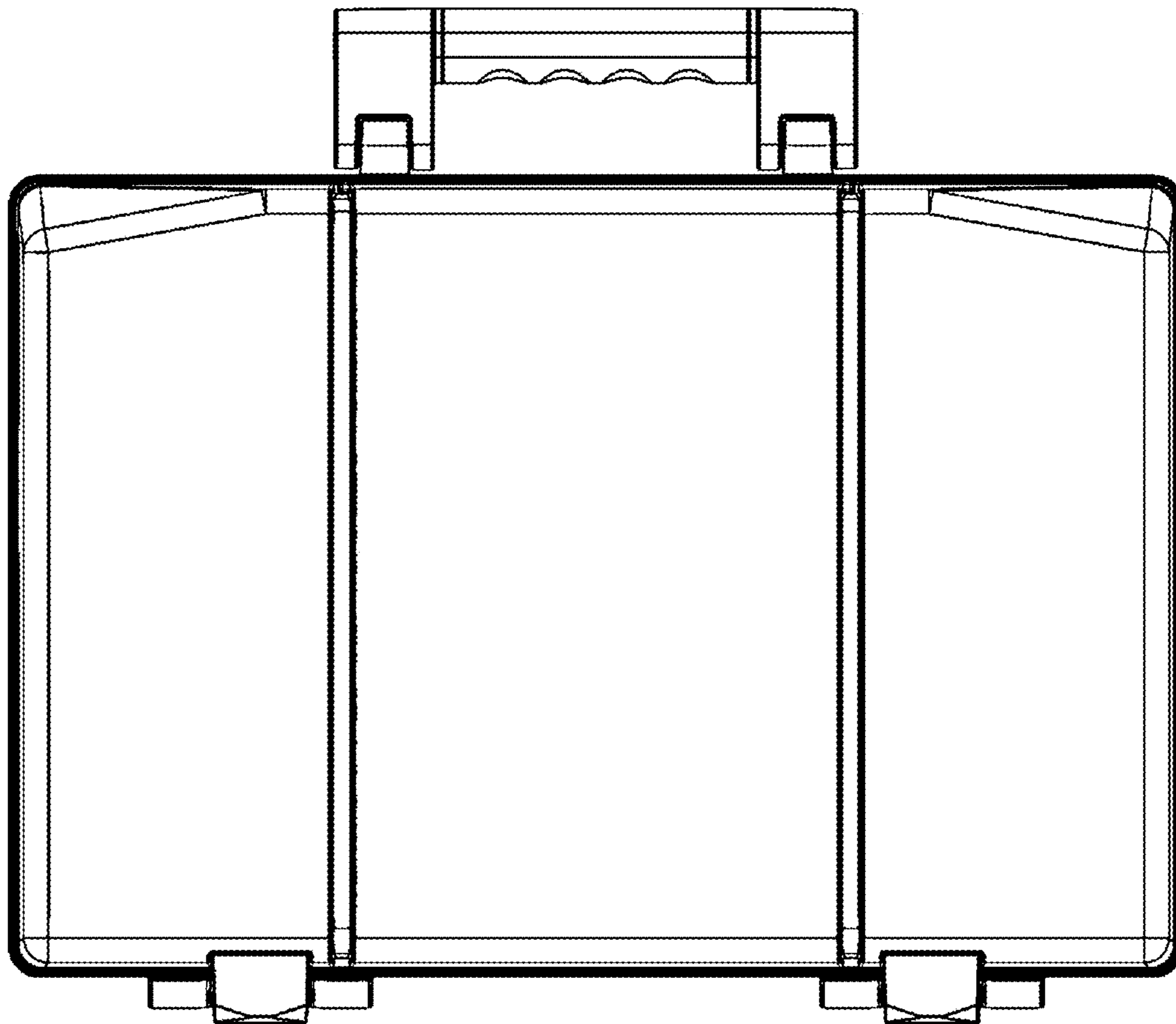


FIG. 2

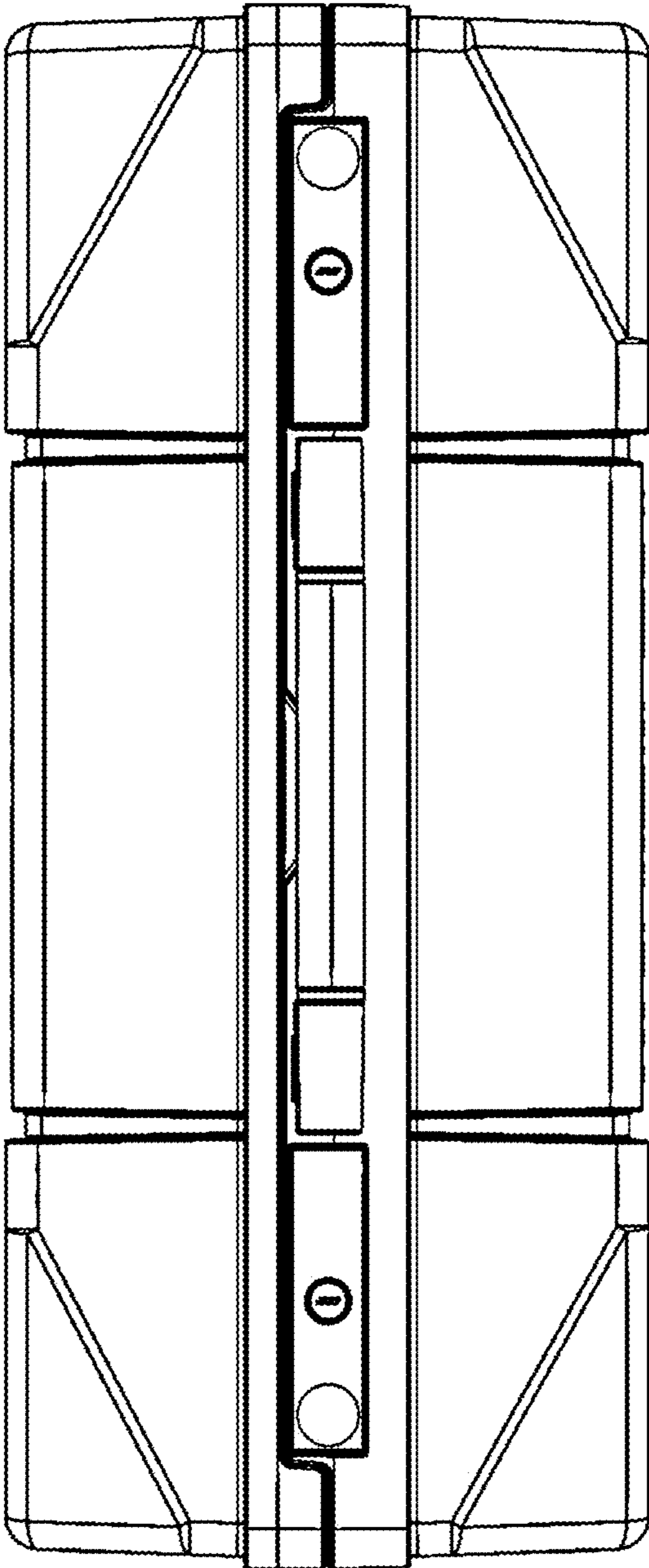


FIG. 3

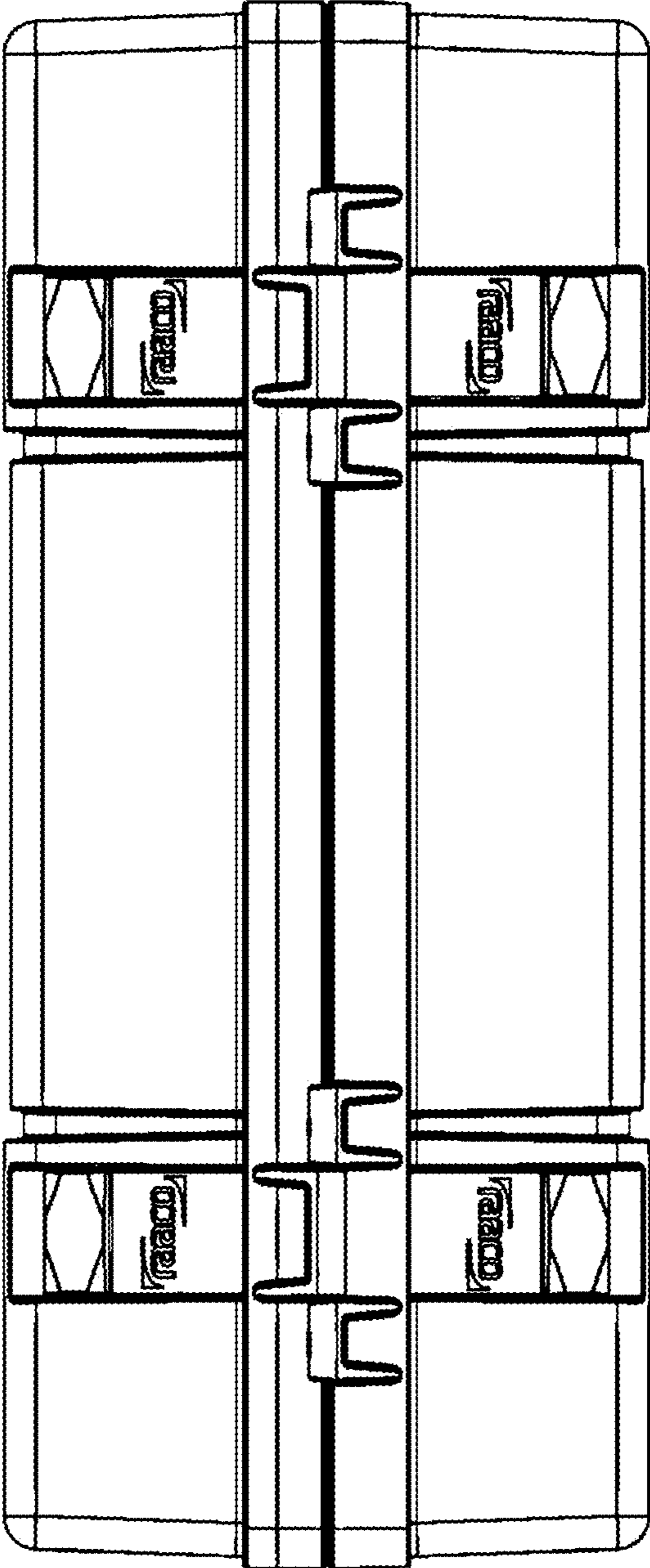


FIG. 4

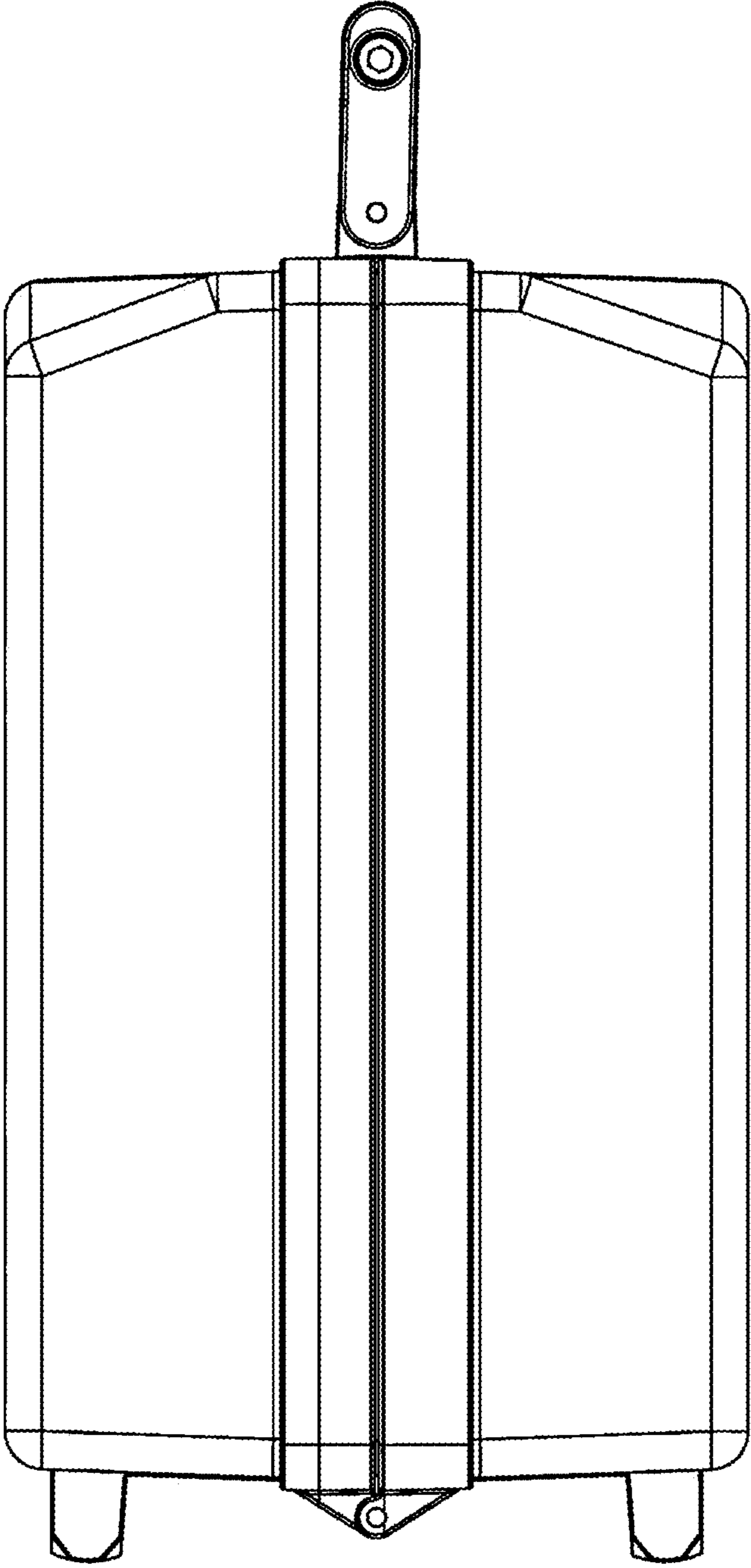


FIG. 5

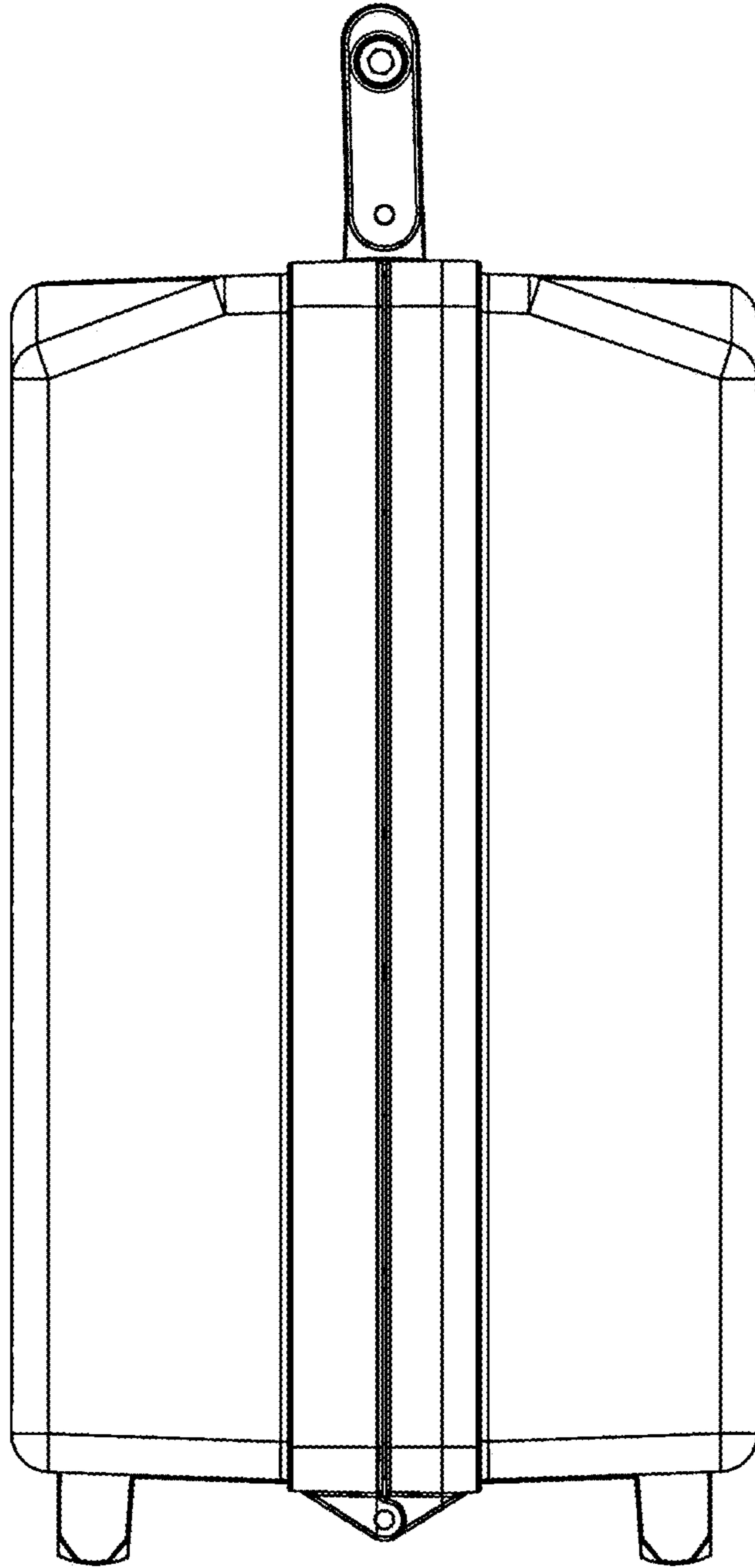


FIG. 6

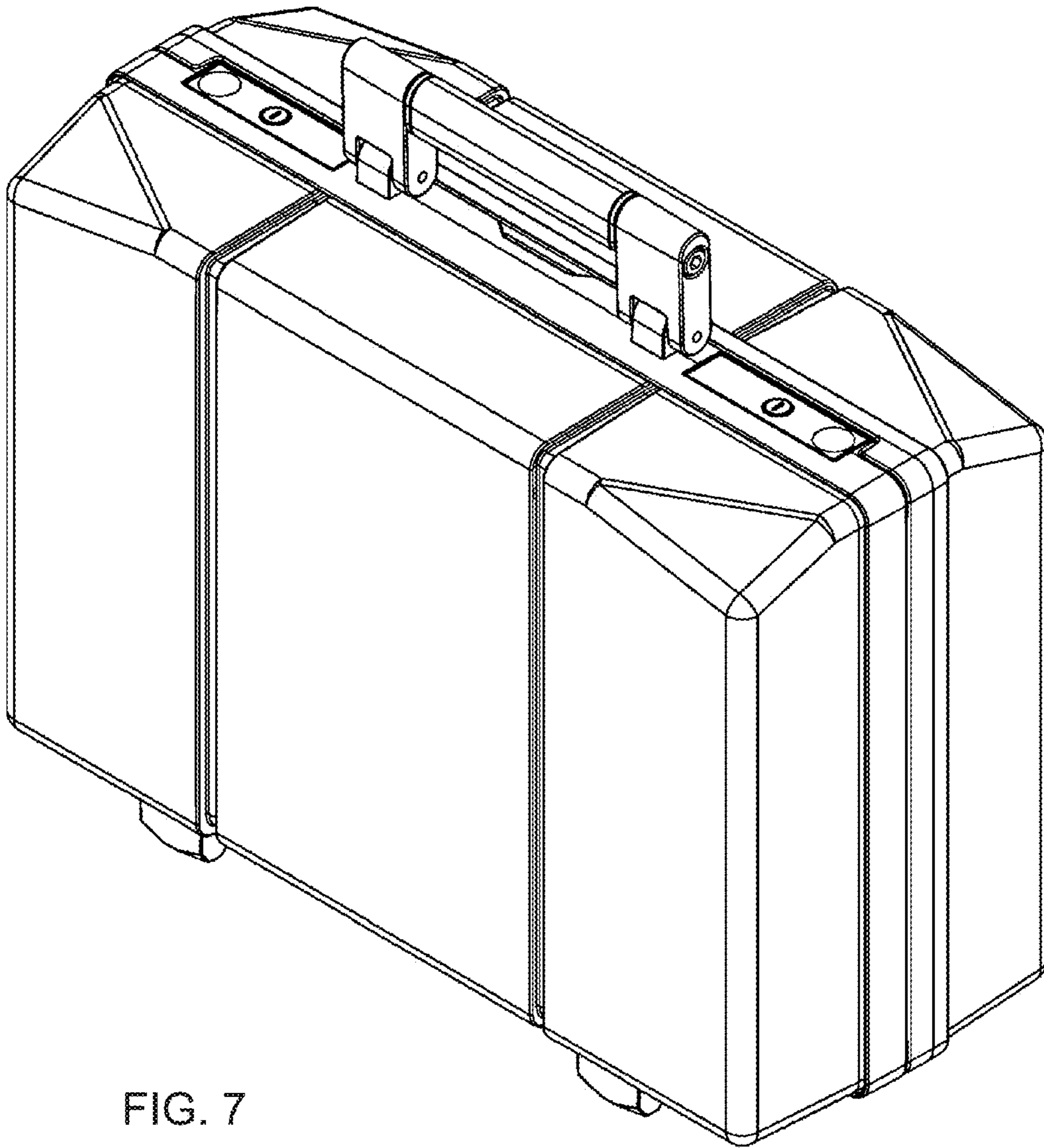


FIG. 7

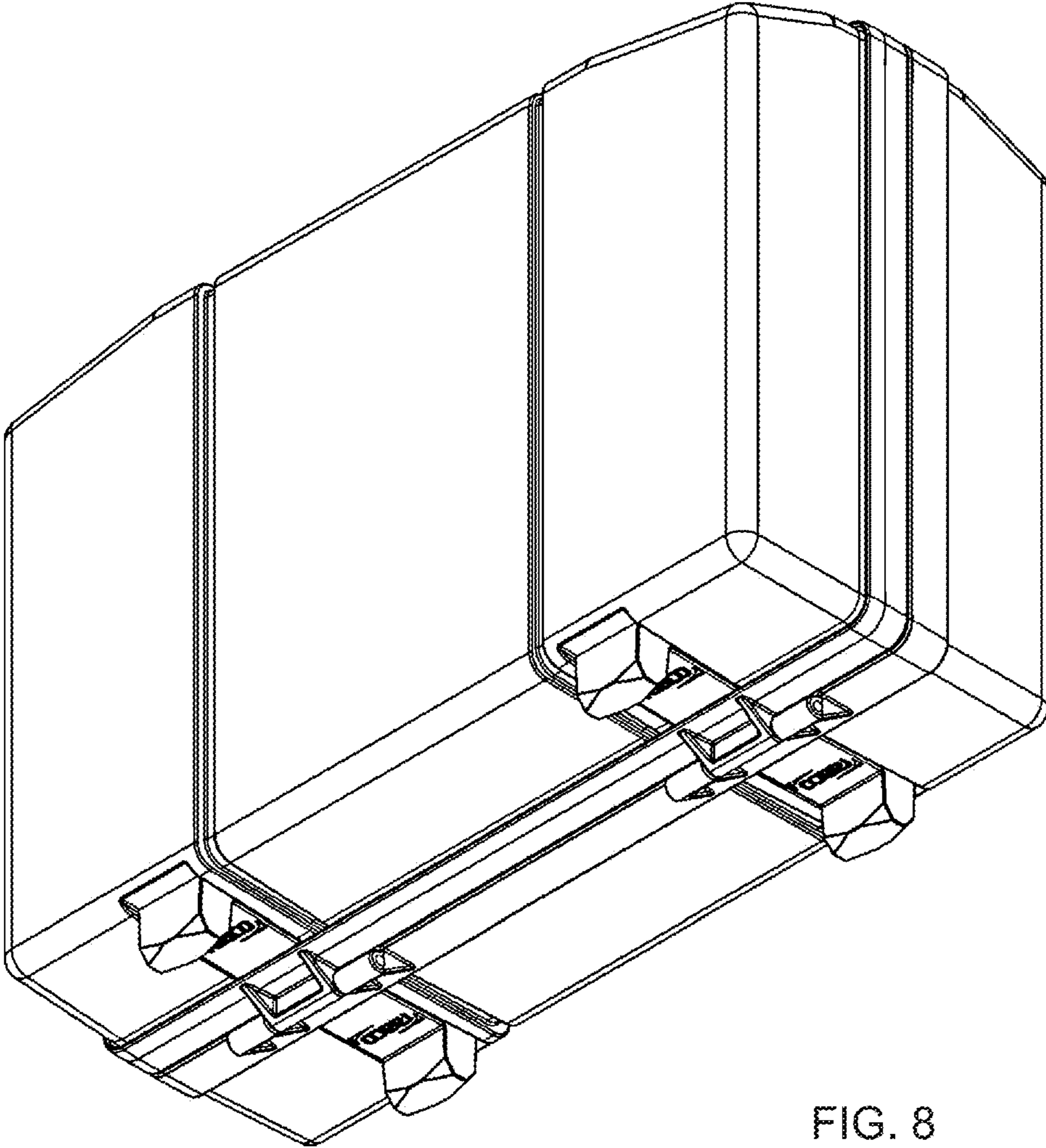


FIG. 8