



US00D702940S

(12) **United States Design Patent**
Frahm et al.

(10) **Patent No.:** **US D702,940 S**
(45) **Date of Patent:** **** Apr. 22, 2014**

(54) **TOOLBOX**

(75) Inventors: **Soren X. Frahm**, Horsens (DK); **Robert Byriel Riedel**, Horsens (DK)

(73) Assignee: **raaco International A/S** (DK)

(**) Term: **14 Years**

(21) Appl. No.: **29/429,615**

(22) Filed: **Aug. 14, 2012**

(30) **Foreign Application Priority Data**

Feb. 22, 2012 (WO) 654422801

(51) **LOC (10) CL.** **03-01**

(52) **U.S. CL.**

USPC **D3/276; D3/900; D3/905**

(58) **Field of Classification Search**

USPC 206/349, 372-379; D3/273, 276,
D3/280-288, 291-297, 900-905;
190/115-118

See application file for complete search history.

(56) **References Cited**

U.S. PATENT DOCUMENTS

D605,853 S * 12/2009 Horiyama et al. D3/281
D636,994 S * 5/2011 Okuda et al. D3/276
D672,954 S * 12/2012 Frahm et al. D3/276
2008/0169739 A1* 7/2008 Goldenberg 312/244

* cited by examiner

Primary Examiner — Jennifer Rivard

(74) *Attorney, Agent, or Firm* — St. Onge Steward Johnston & Reens LLC

(57) **CLAIM**

The ornamental design for a toolbox, as shown and described.

DESCRIPTION

FIG. 1 is a front elevation view of a toolbox in accordance with the new design;

FIG. 2 is a rear elevation view thereof;

FIG. 3 is a top plan view thereof;

FIG. 4 is a bottom plan view thereof;

FIG. 5 is a left side elevation view thereof;

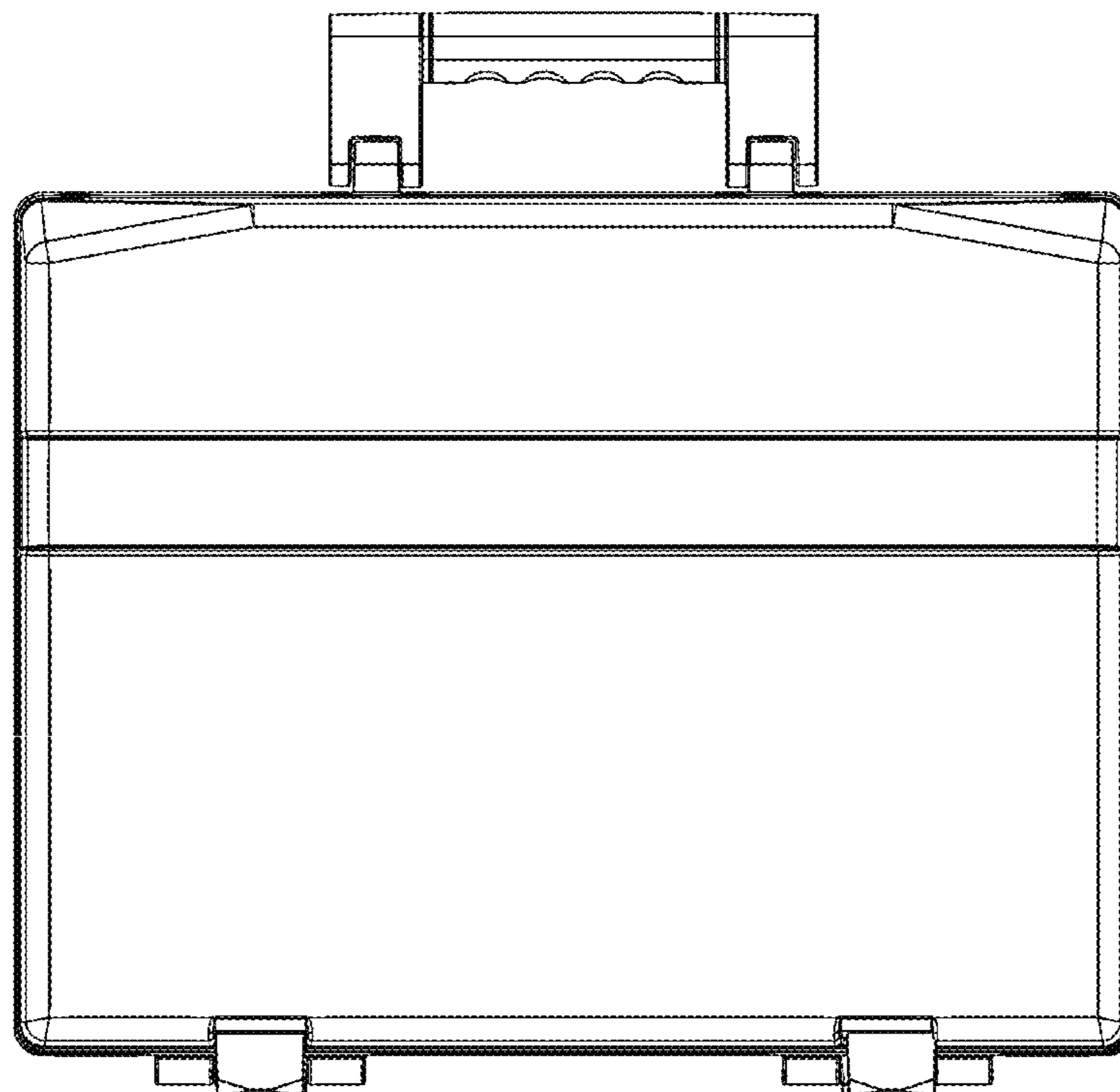
FIG. 6 is a right side view thereof;

FIG. 7 is a top, front, and left side perspective view thereof; and,

FIG. 8 is a bottom, rear, and right side perspective view thereof.

The raaco forming part of the claimed design is a registered trademark of Raaco International.

1 Claim, 8 Drawing Sheets



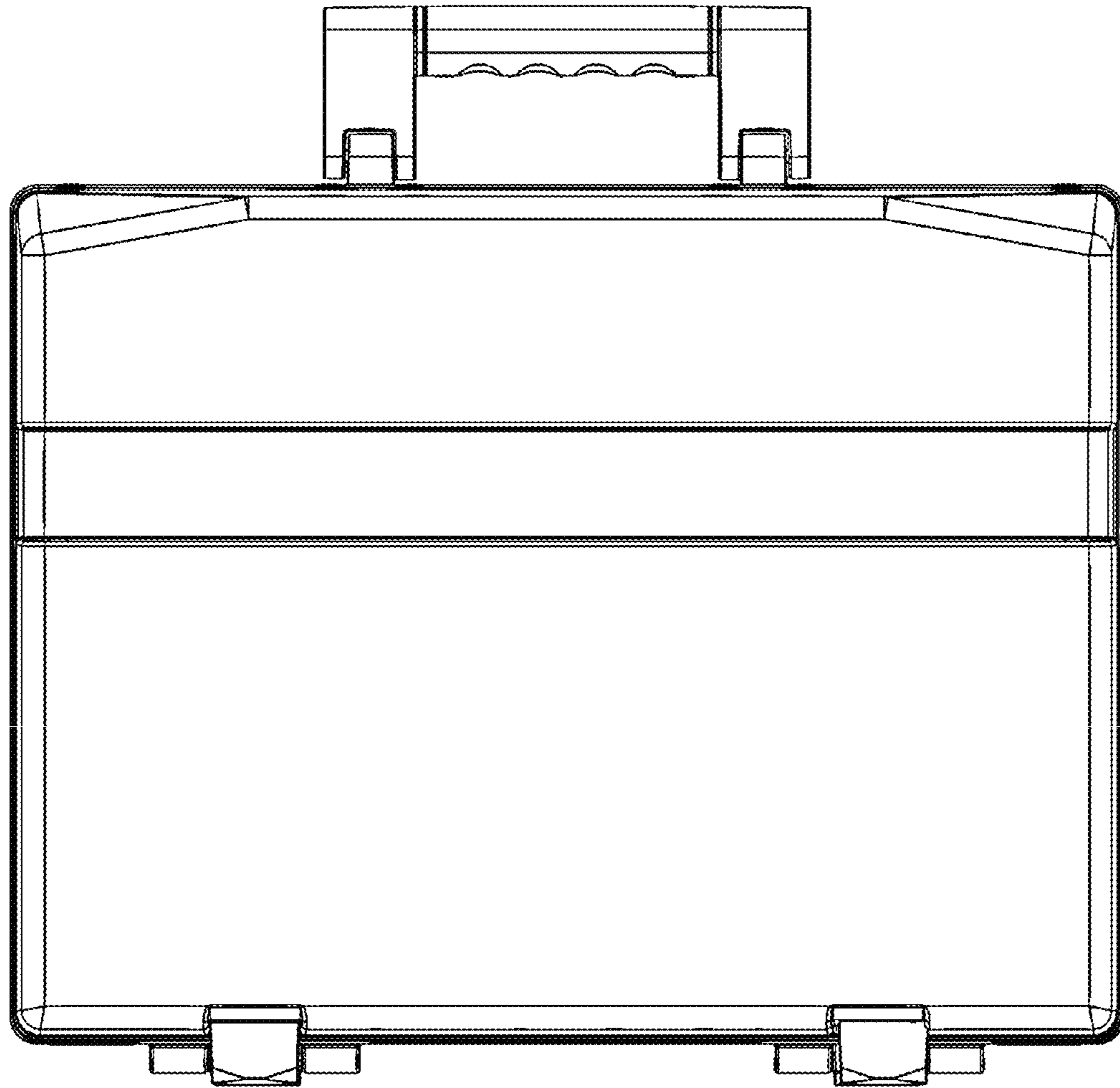


FIG. 1

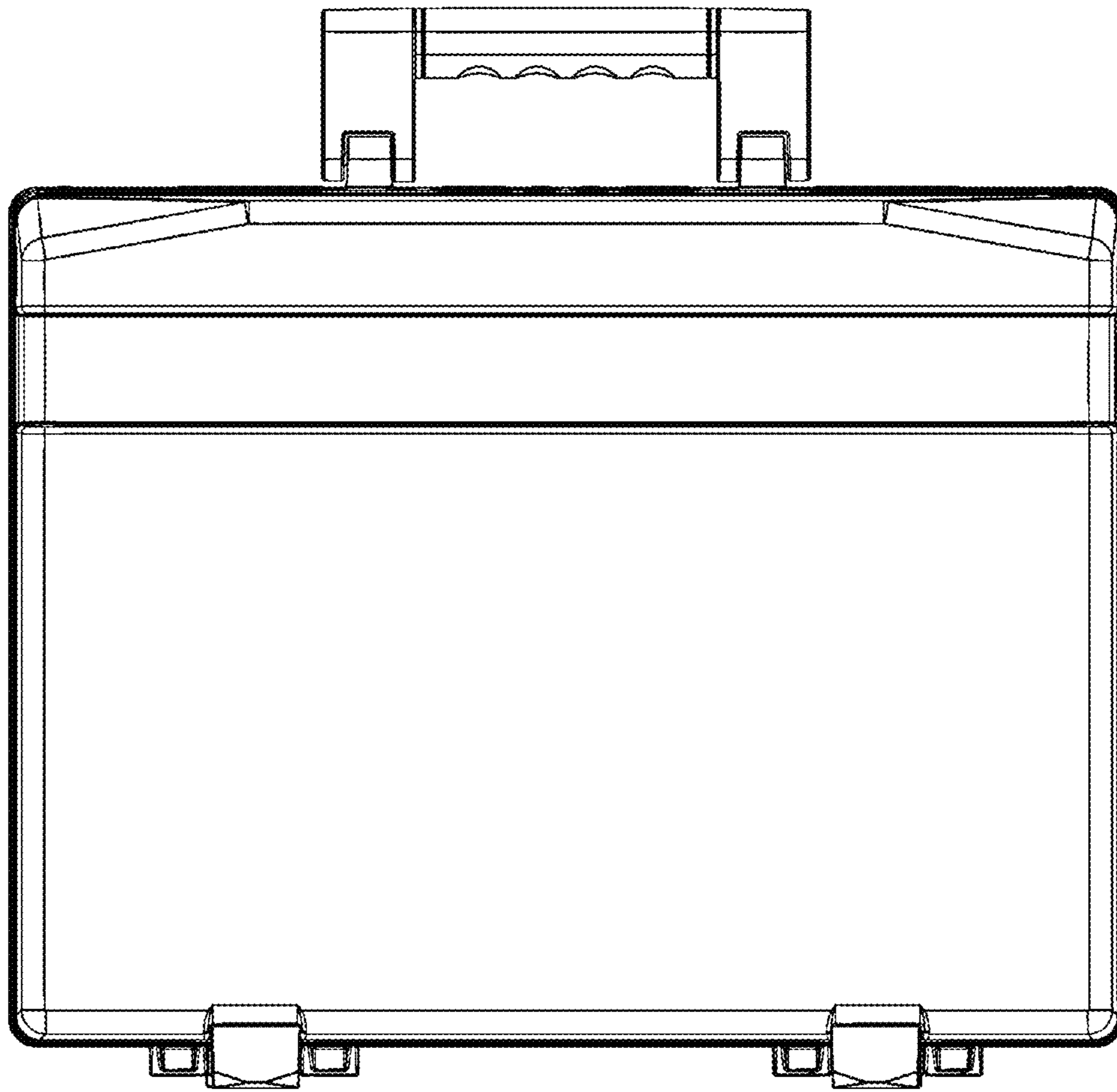


FIG. 2

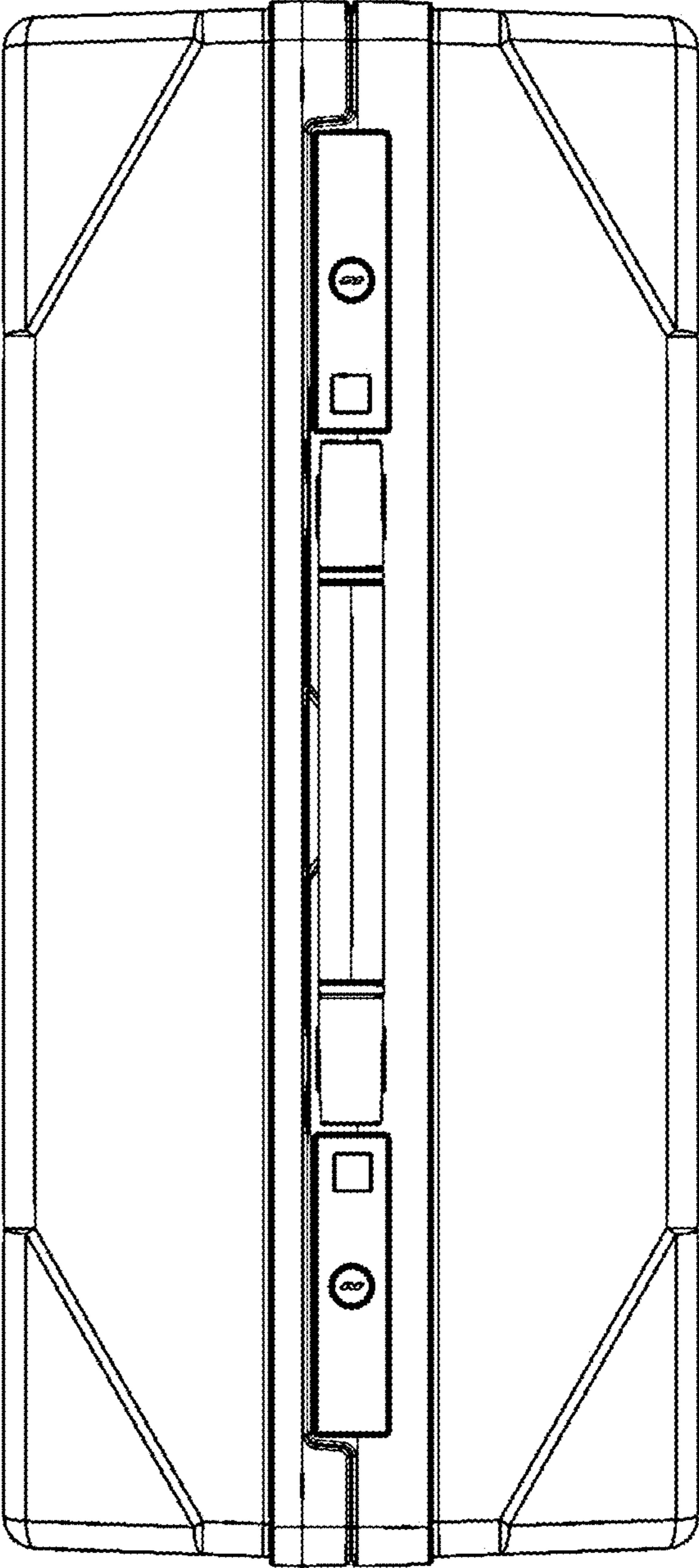


FIG. 3

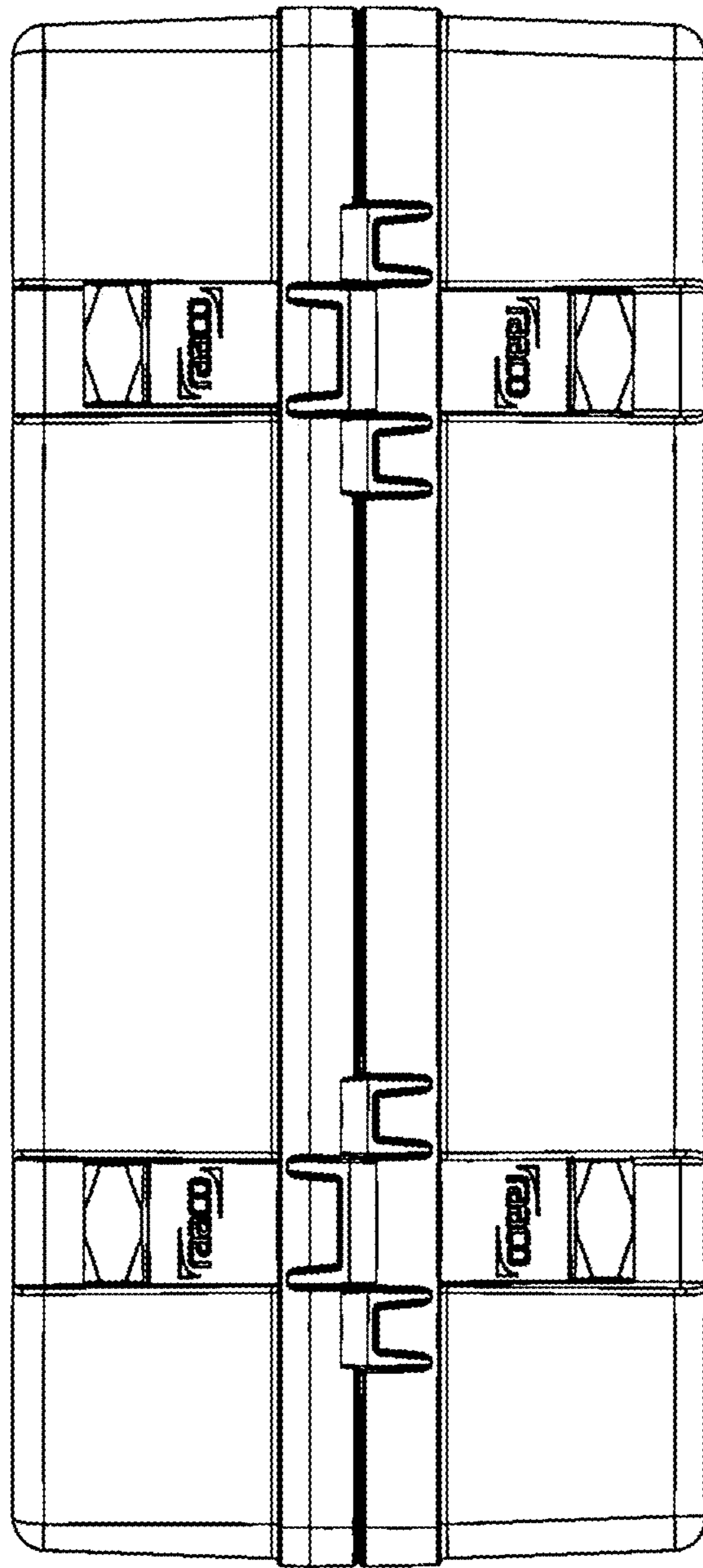


FIG. 4

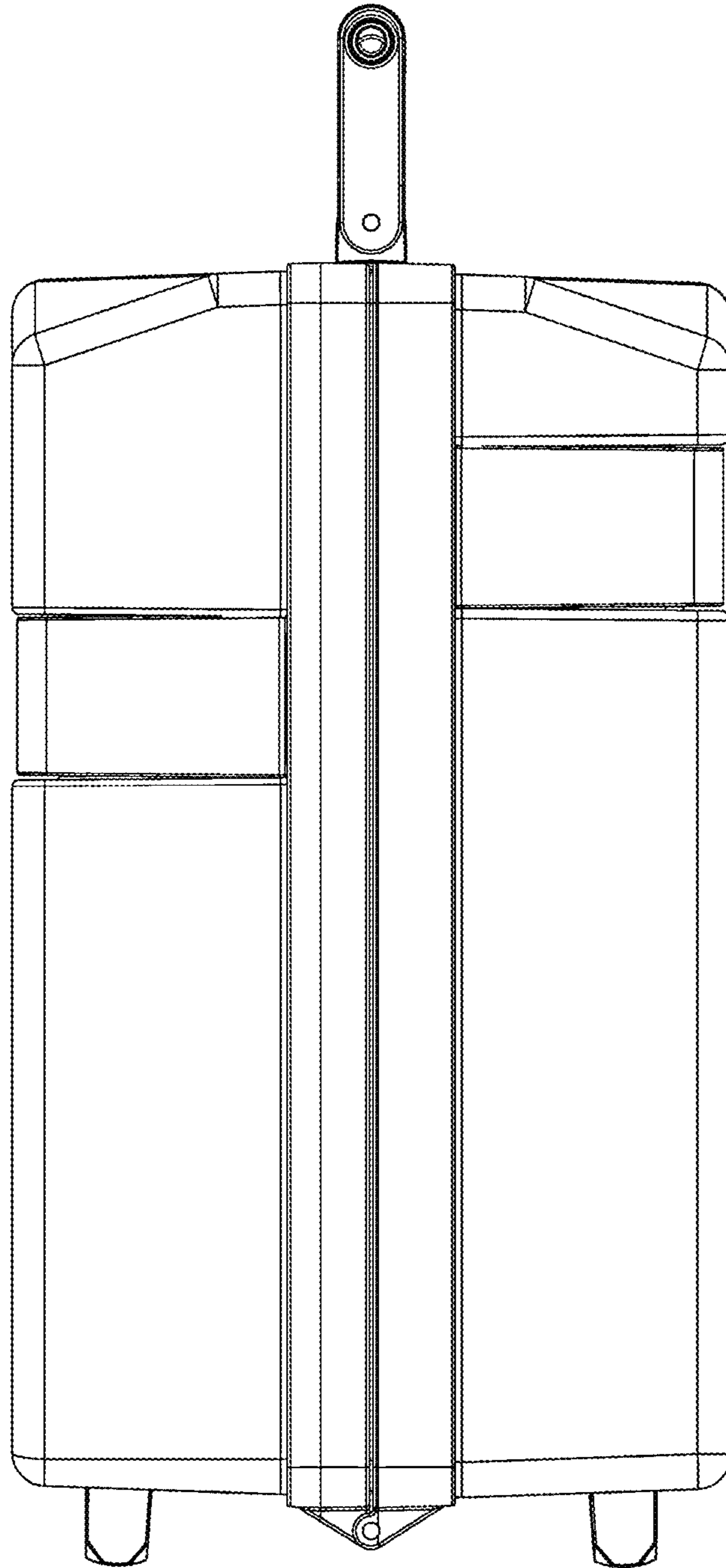


FIG. 5

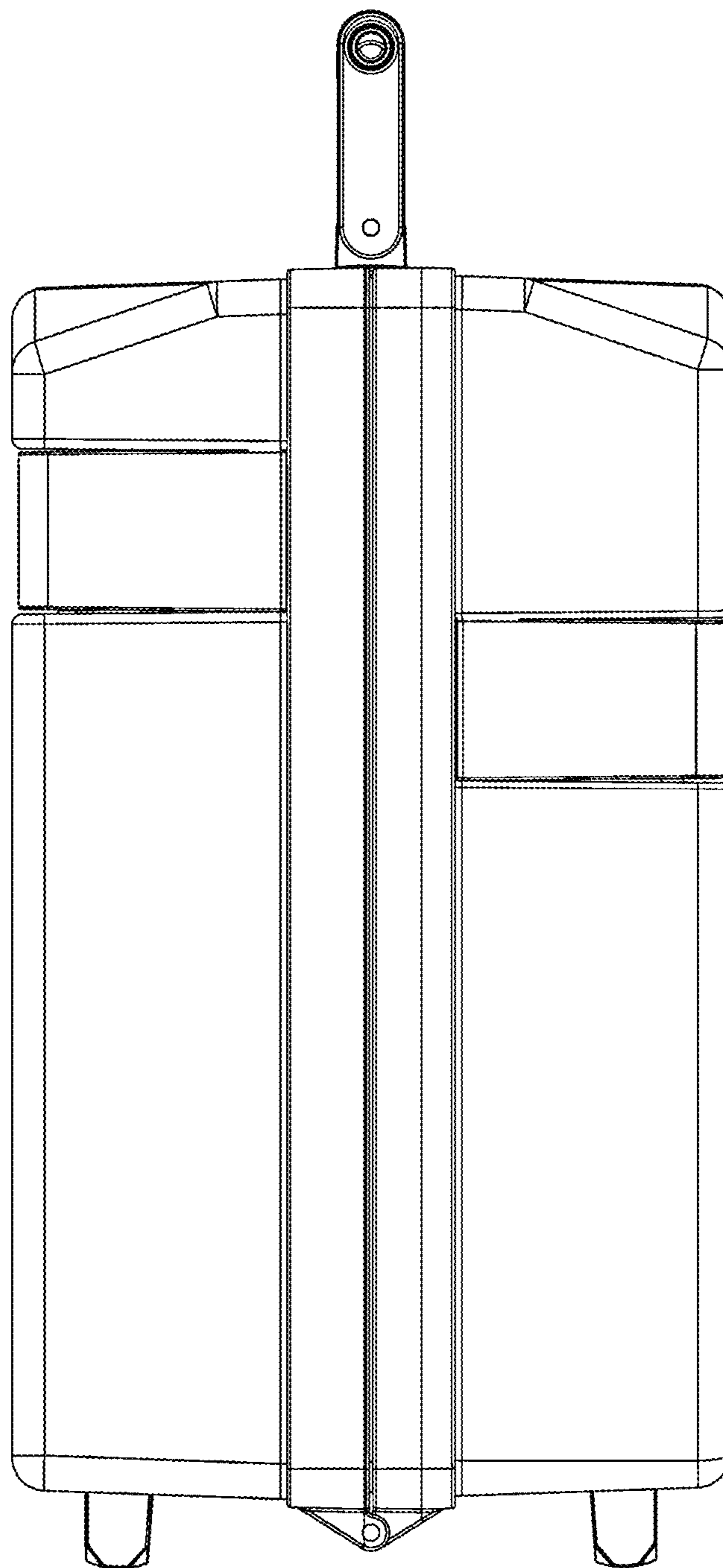


FIG. 6

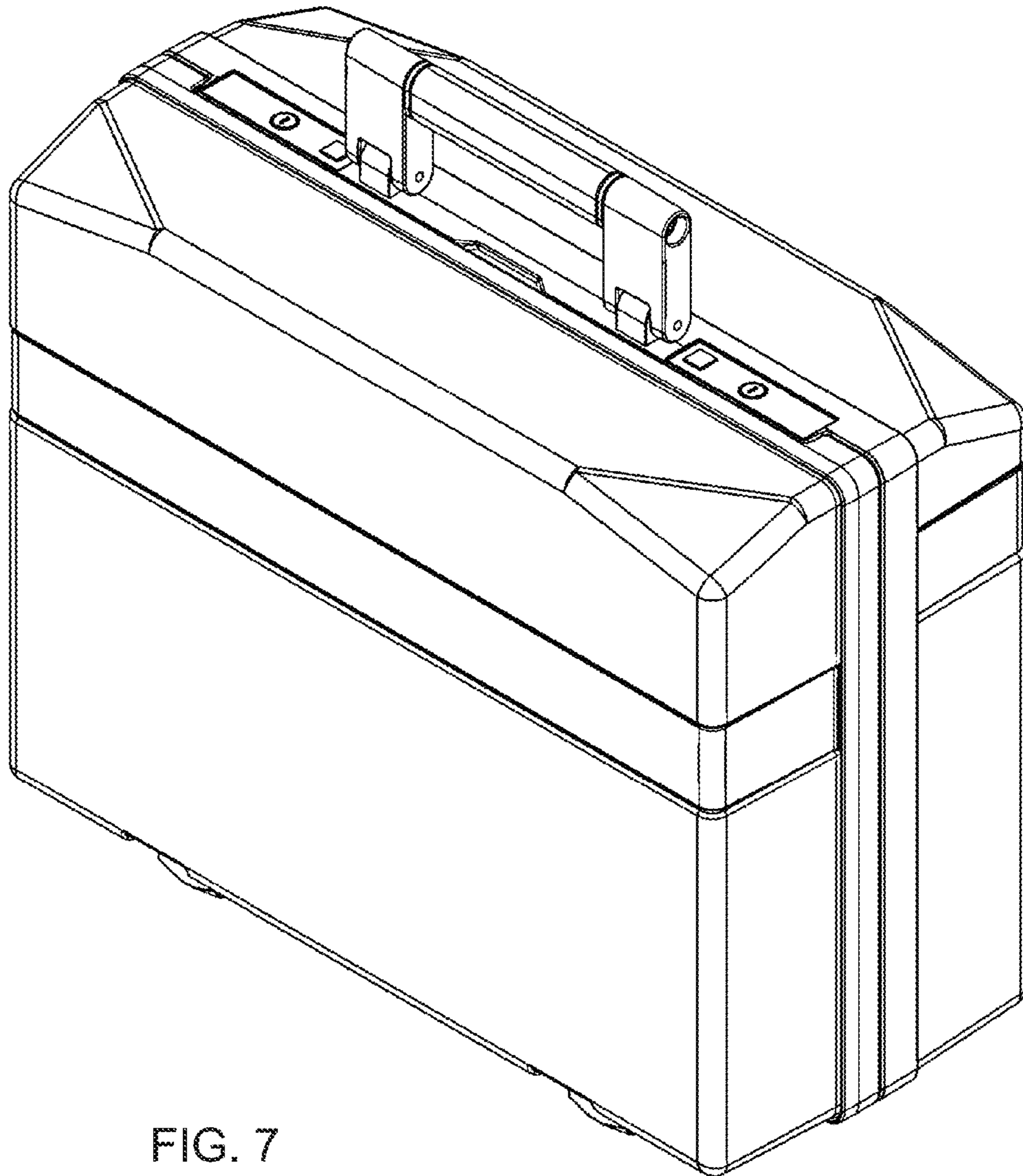


FIG. 7

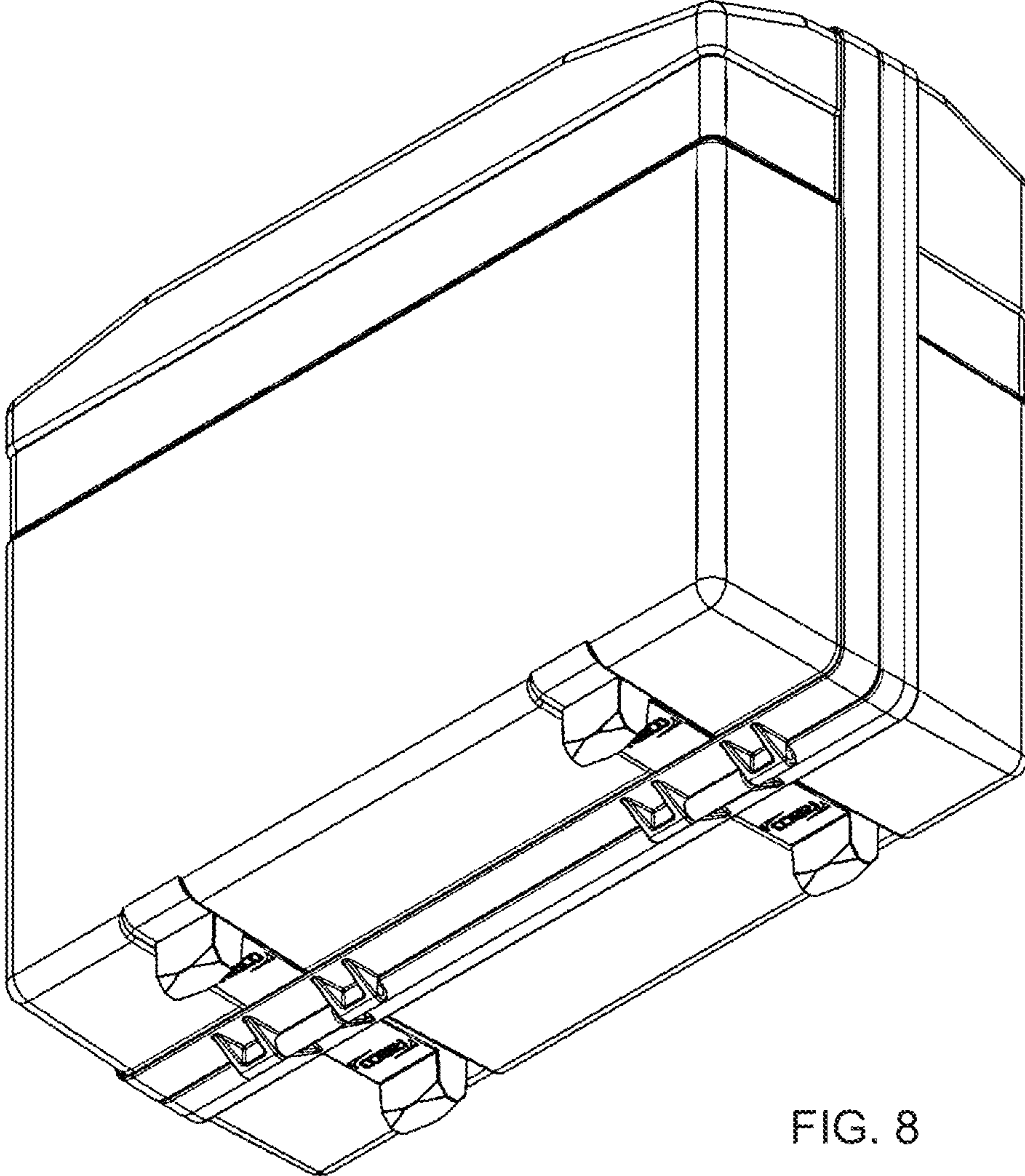


FIG. 8