



US00D702935S

(12) **United States Design Patent**
Rogers et al.

(10) **Patent No.:** **US D702,935 S**
(45) **Date of Patent:** **** Apr. 22, 2014**

(54) **COMBINED HOLSTER BLANK AND
HOLSTER BODY**

D582,150 S * 12/2008 Har Shen D3/222
7,841,497 B1 * 11/2010 Gregory et al. 224/243
D668,453 S * 10/2012 Teichelman D3/269
D681,943 S * 5/2013 Beard et al. D3/222

(71) Applicants: **William H. Rogers**, St. Augustine, FL
(US); **Matthew E. McKendrick**,
Jacksonville, FL (US)

* cited by examiner

(72) Inventors: **William H. Rogers**, St. Augustine, FL
(US); **Matthew E. McKendrick**,
Jacksonville, FL (US)

Primary Examiner — Catheri Oliver-Garcia

(74) *Attorney, Agent, or Firm* — Arthur G. Yeager

(73) Assignee: **Safanland, LLC**, Jacksonville, FL (US)

(57) **CLAIM**

The ornamental design for a combined holster blank and
holster body, as shown and described.

(**) Term: **14 Years**

DESCRIPTION

(21) Appl. No.: **29/443,047**

(22) Filed: **Jan. 11, 2013**

(51) **LOC (10) Cl.** **03-01**

(52) **U.S. Cl.**
USPC **D3/222**

(58) **Field of Classification Search**
USPC D3/222-223, 269; 224/192-193,
224/197-198, 238, 243, 349, 587, 665, 682,
224/901.4, 911-912; 42/106
See application file for complete search history.

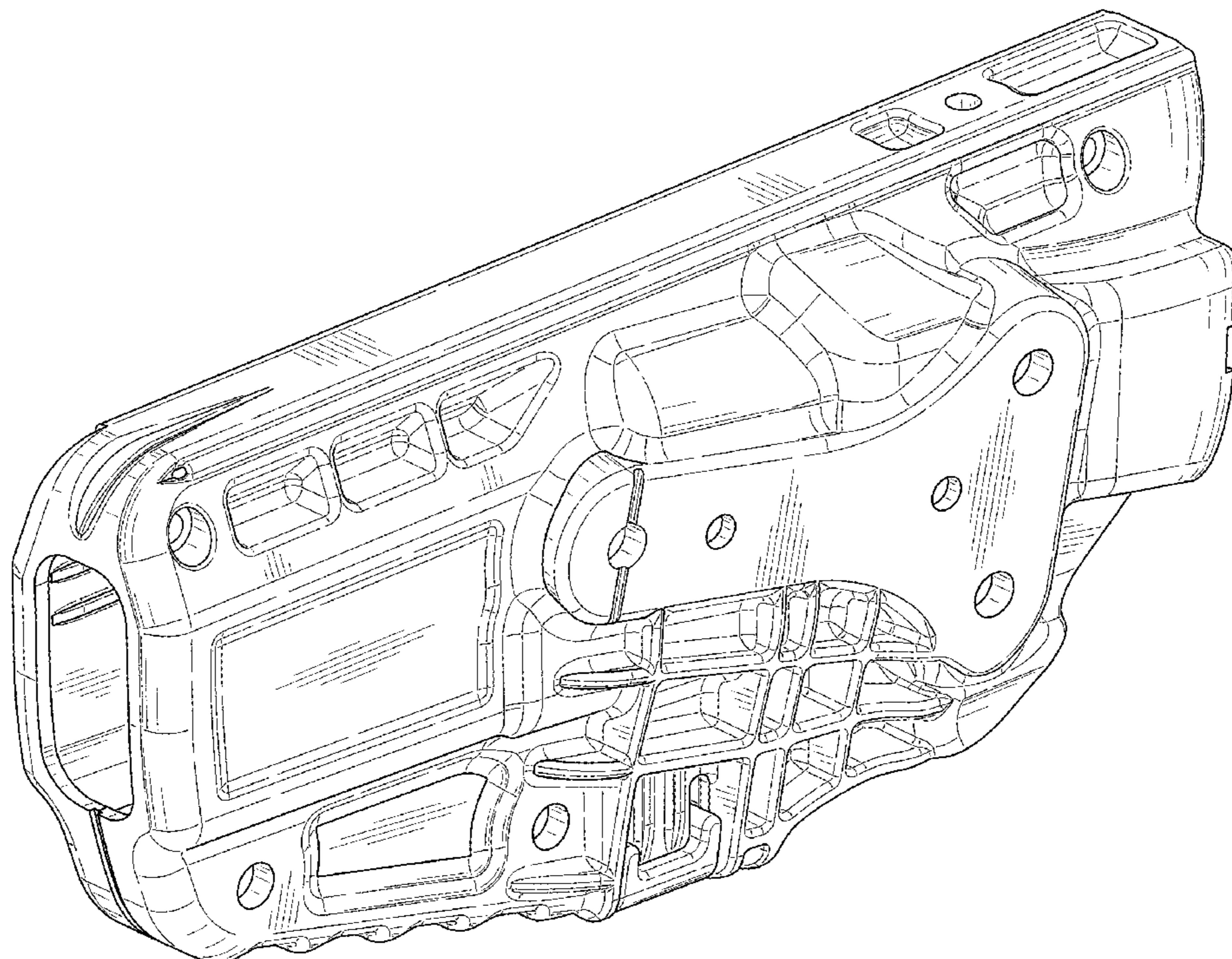
FIG. 1 is a front, top perspective view of the holster blank;
FIG. 2 is a left end elevational view thereof;
FIG. 3 is a right end elevational view thereof;
FIG. 4 is a right side elevational view thereof;
FIG. 5 is a left side elevational view thereof;
FIG. 6 is a top plan view thereof;
FIG. 7 is a bottom plan view thereof;
FIG. 8 is a rear top perspective view of the holster body
formed by folding the holster blank of FIG. 1 which self-
connects the two clam-like halves;
FIG. 9 is a right end elevational view thereof;
FIG. 10 is a right end elevational view thereof;
FIG. 11 is a rear side elevational view thereof;
FIG. 12 is a front side elevational view thereof;
FIG. 13 is a top plan view thereof; and,
FIG. 14 is a bottom plan view thereof.

(56) **References Cited**

U.S. PATENT DOCUMENTS

6,763,984 B2 * 7/2004 Gallagher 224/193
D501,991 S * 2/2005 Cook et al. D3/222
7,314,152 B1 * 1/2008 Garrett 224/192

1 Claim, 10 Drawing Sheets



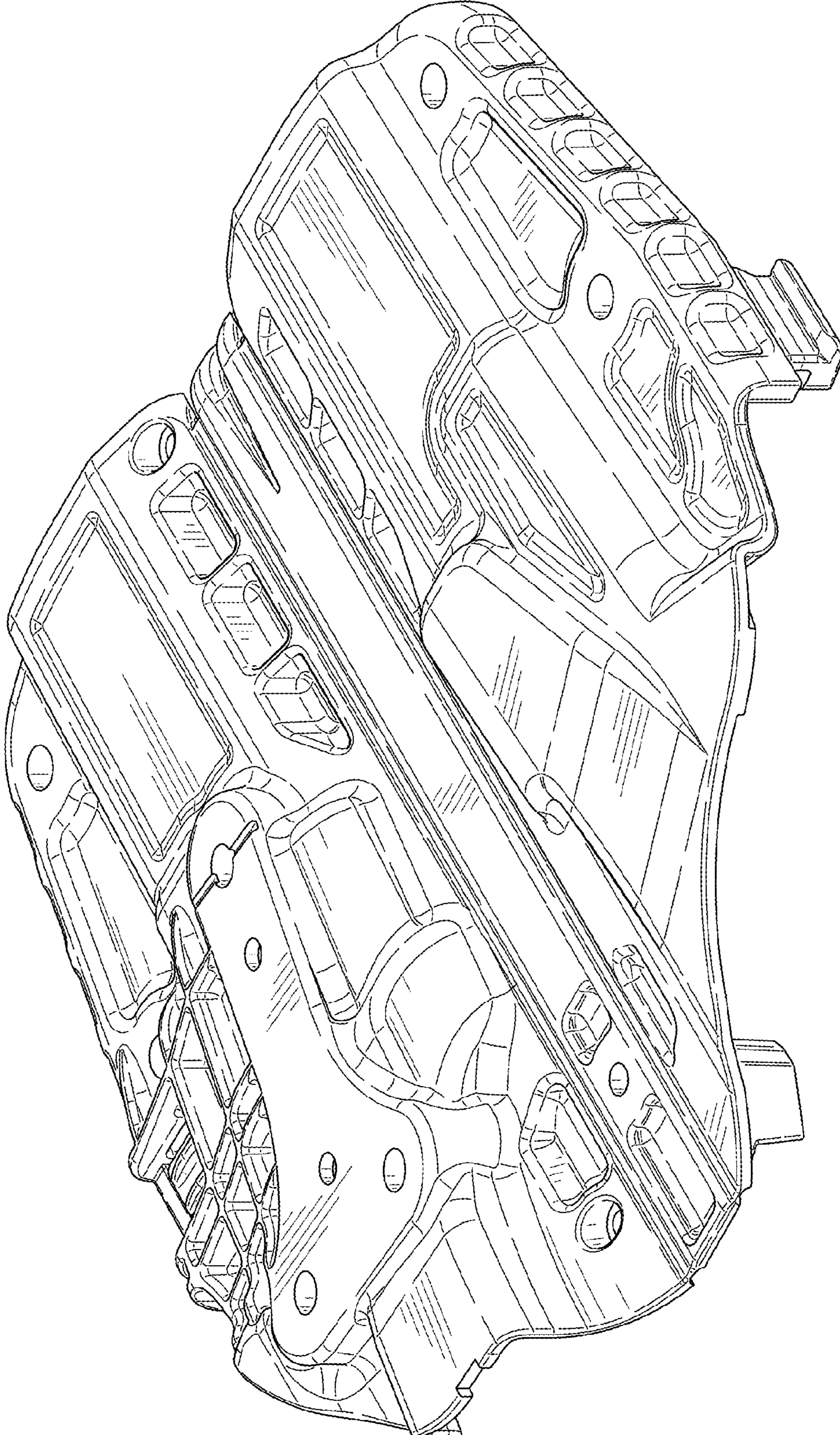


FIG. 1

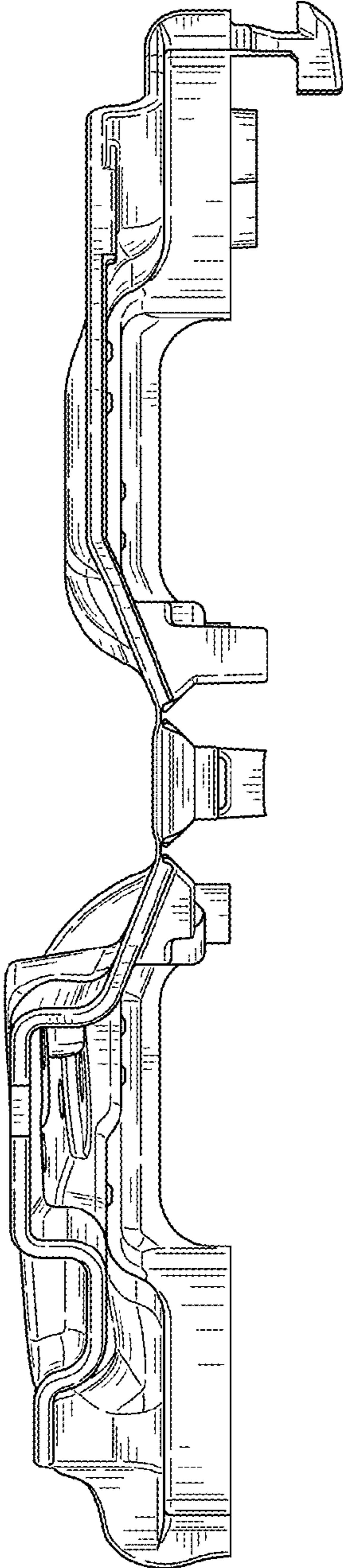


FIG. 2

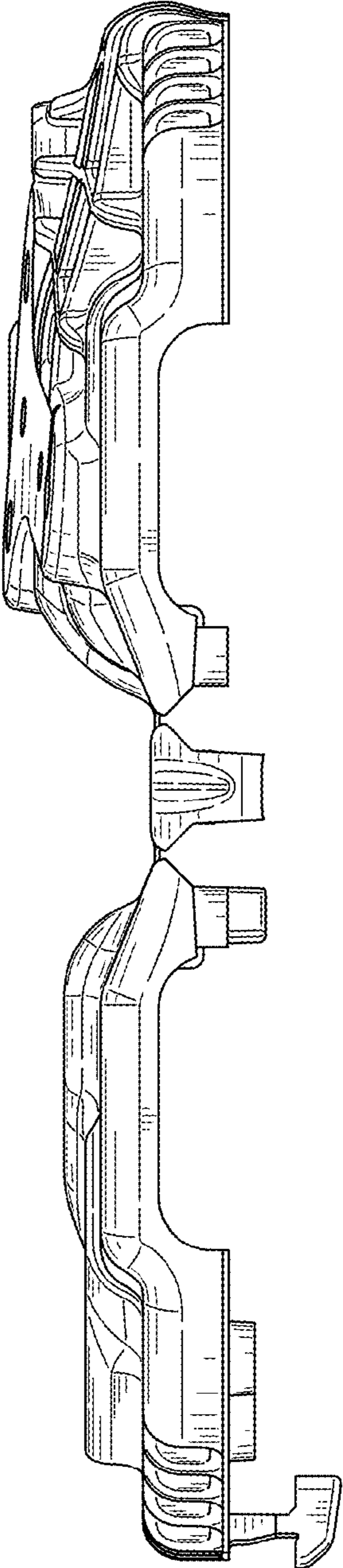


FIG. 3

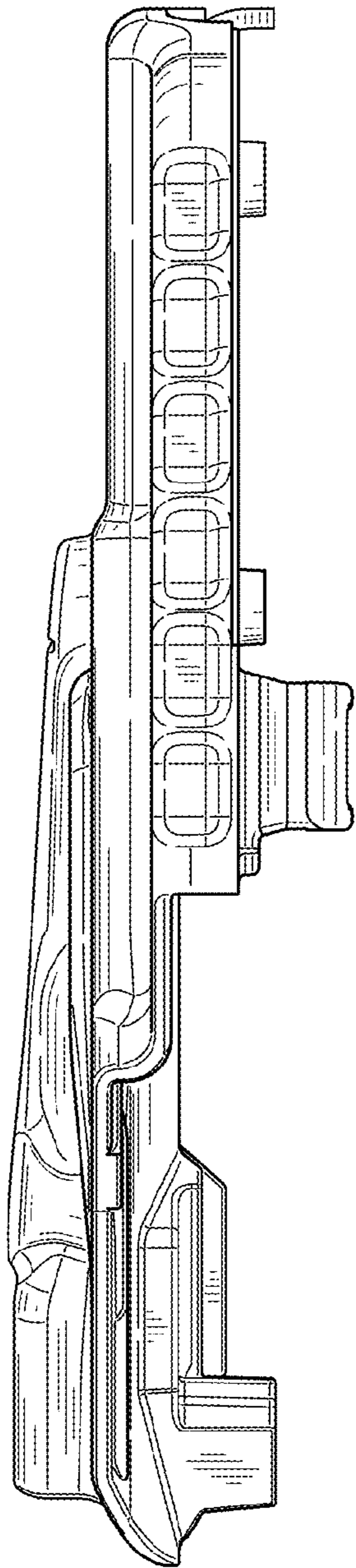


FIG. 4

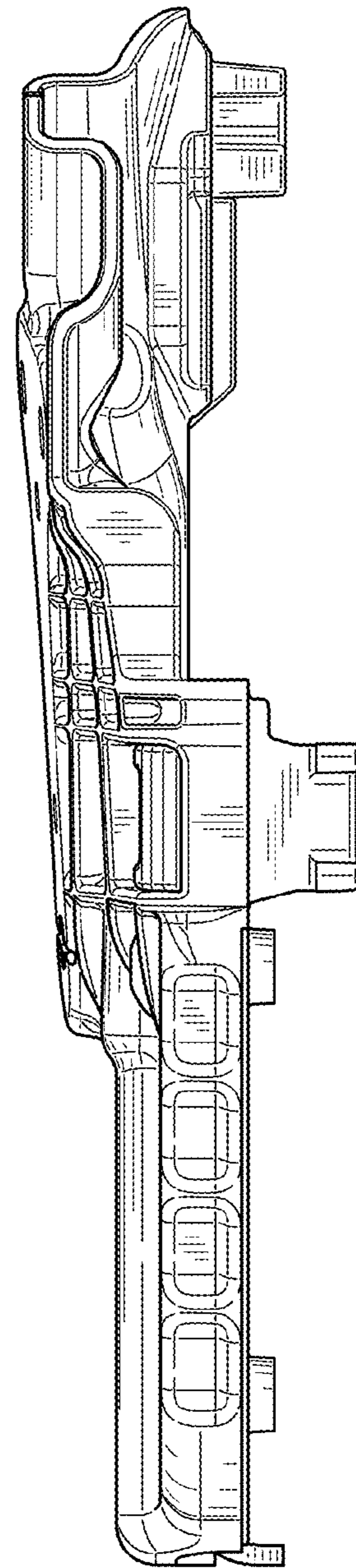


FIG. 5

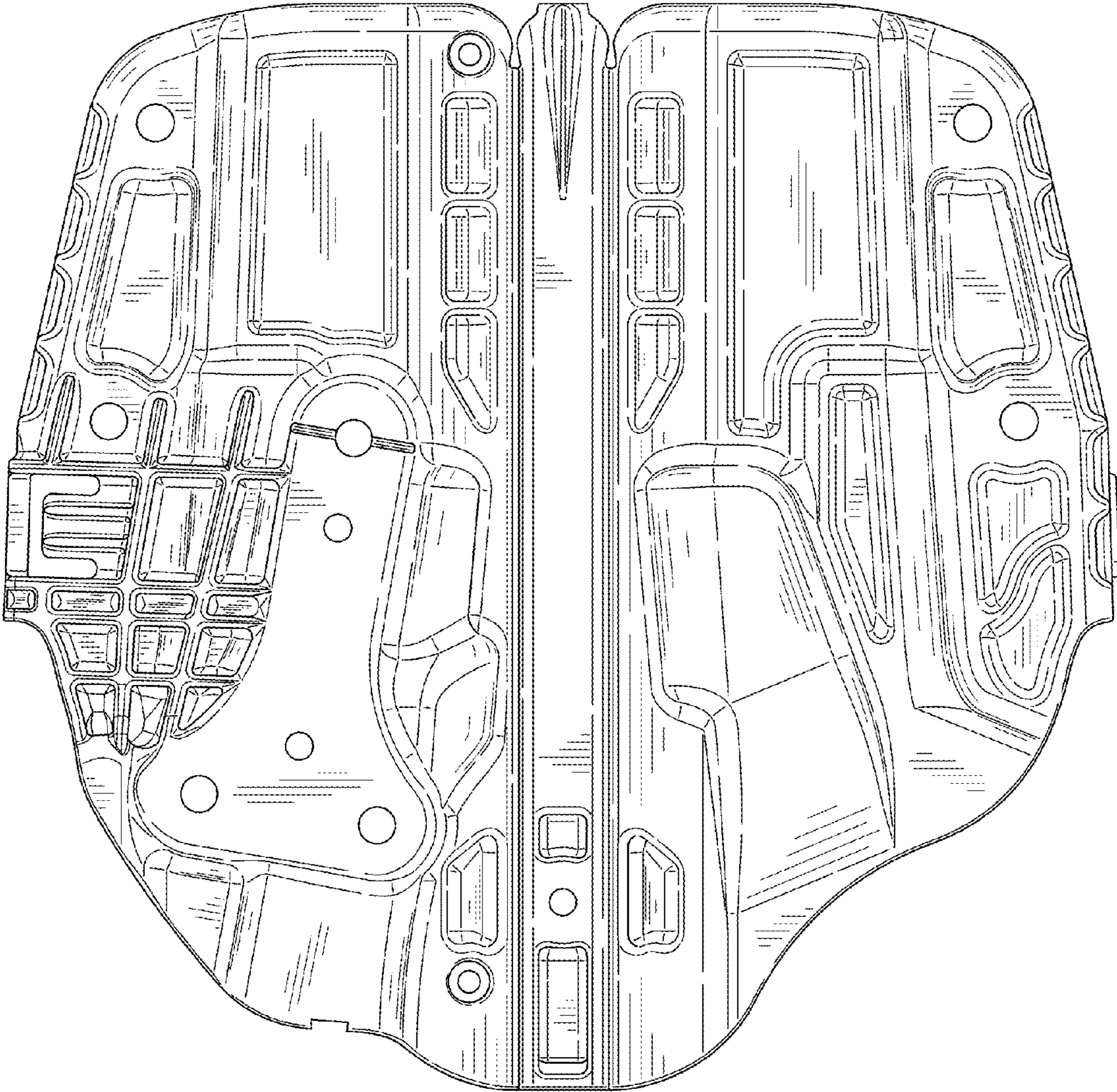


FIG. 6

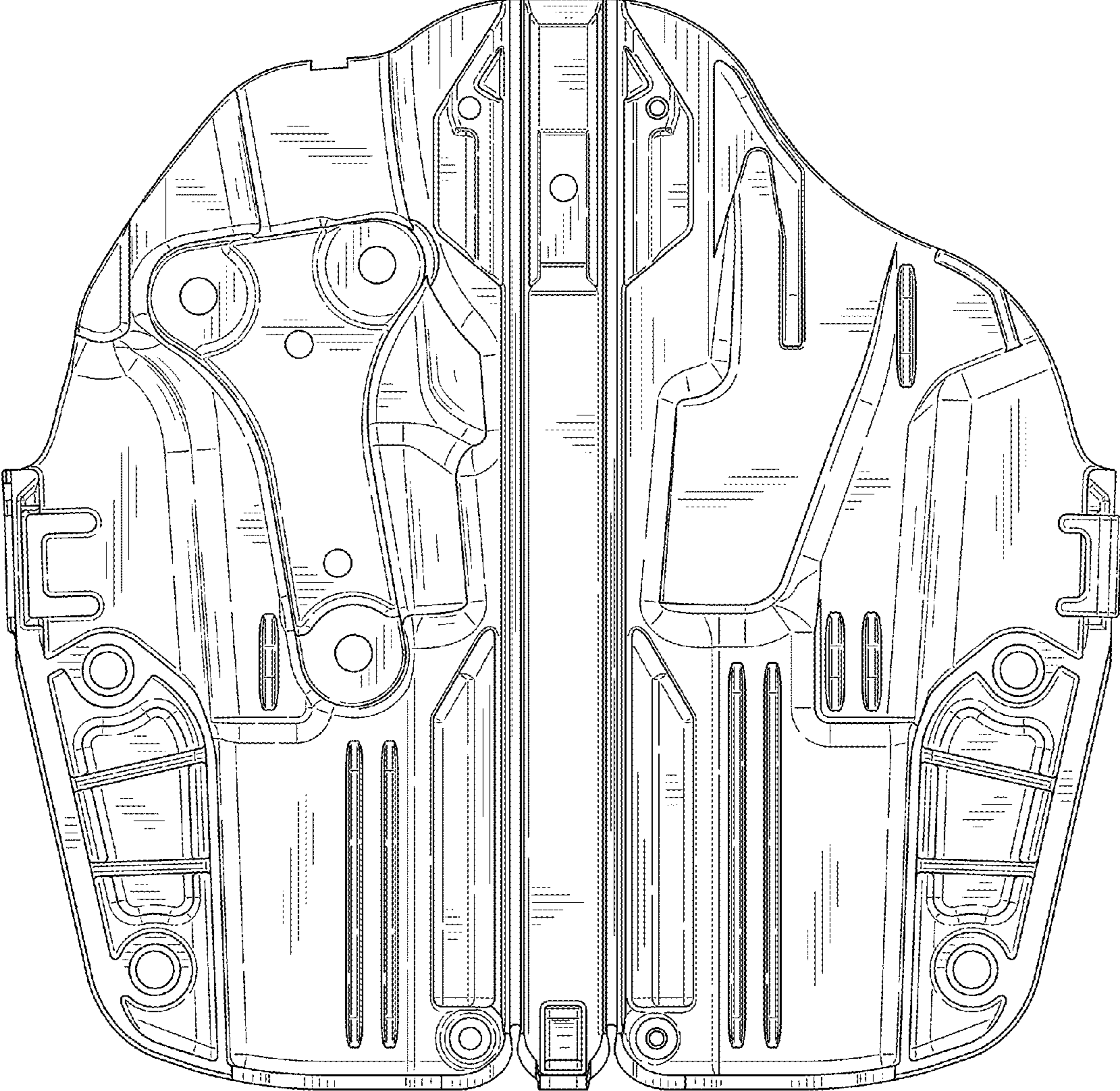


FIG. 7

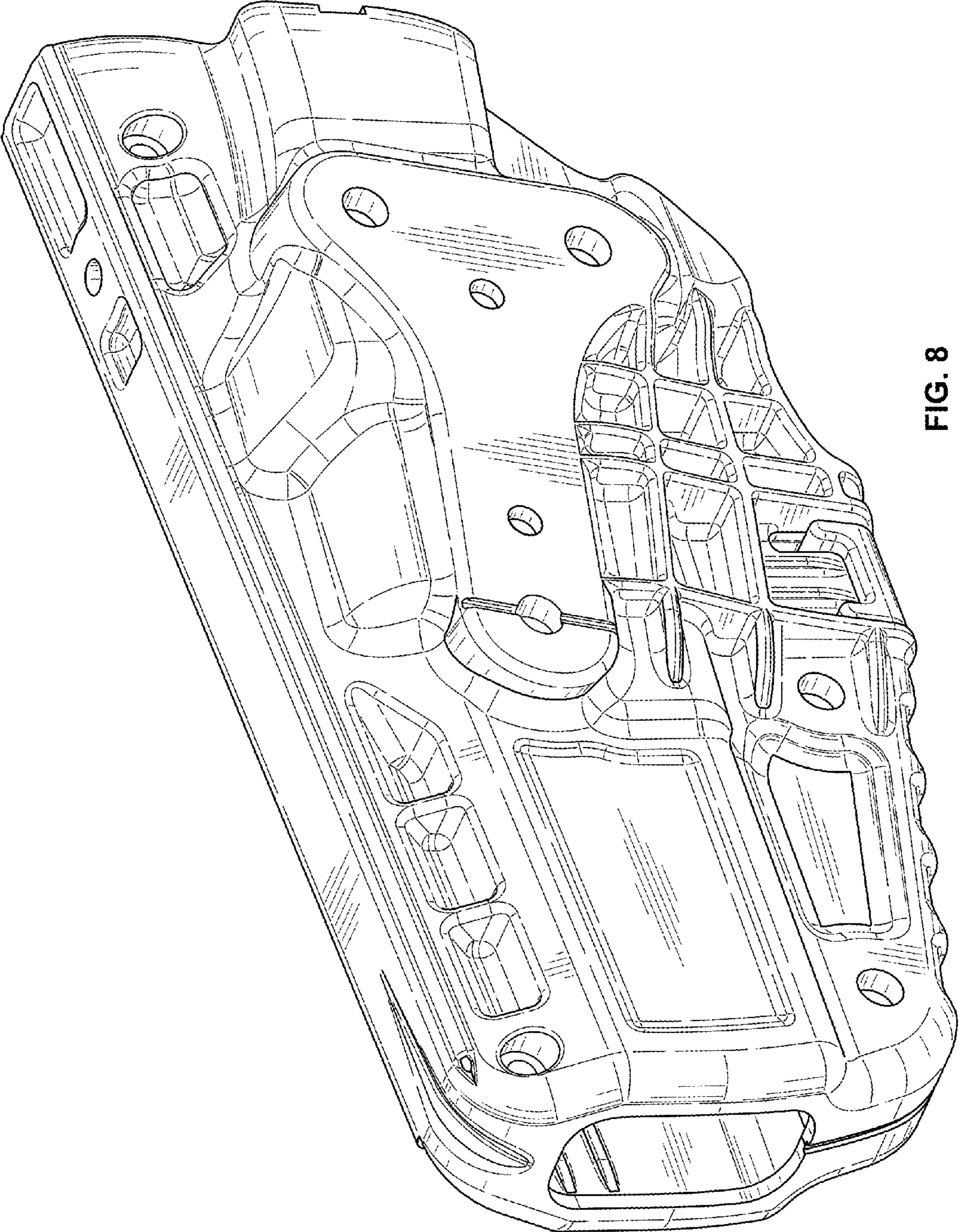


FIG. 8

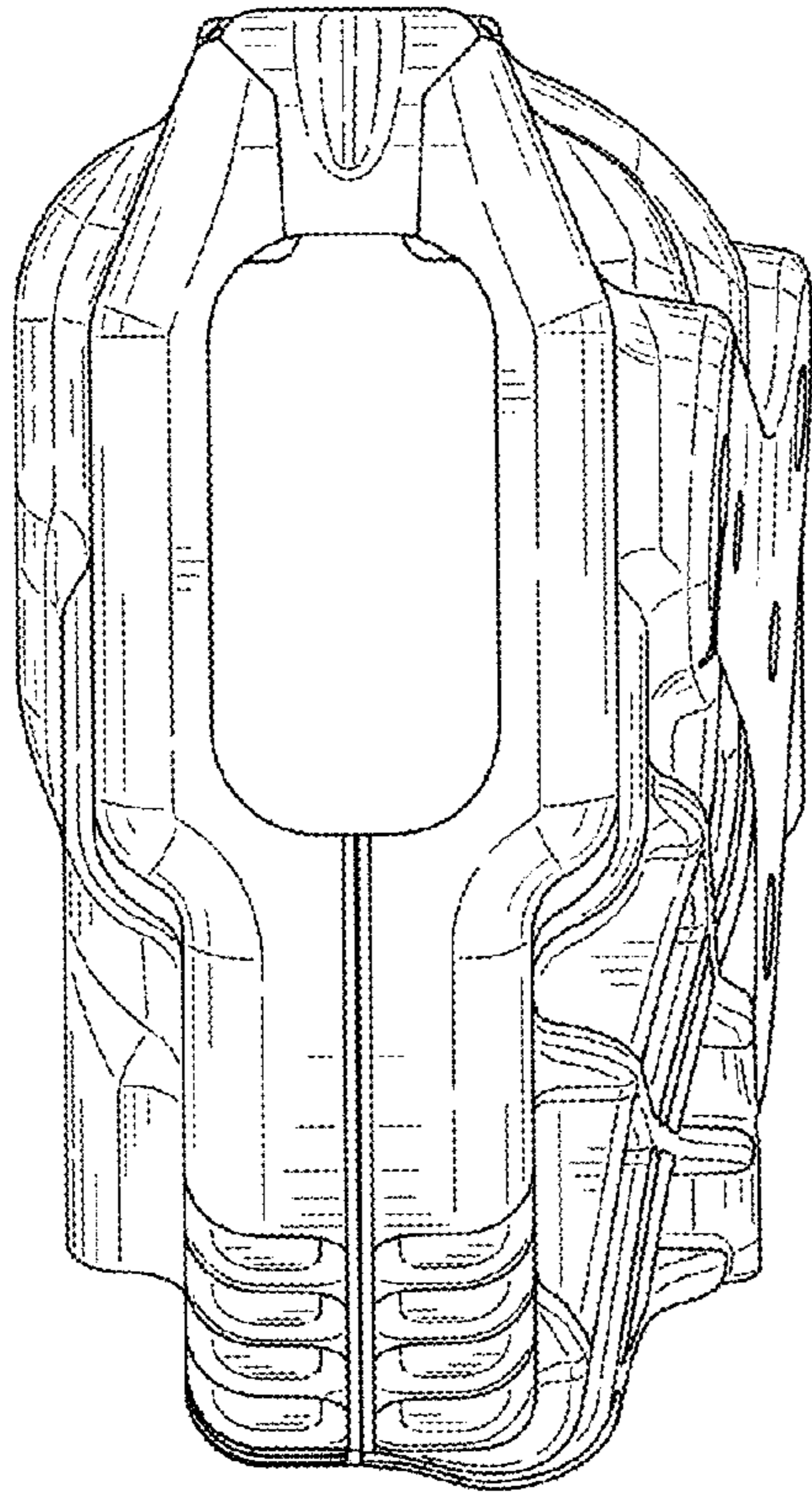


FIG. 9

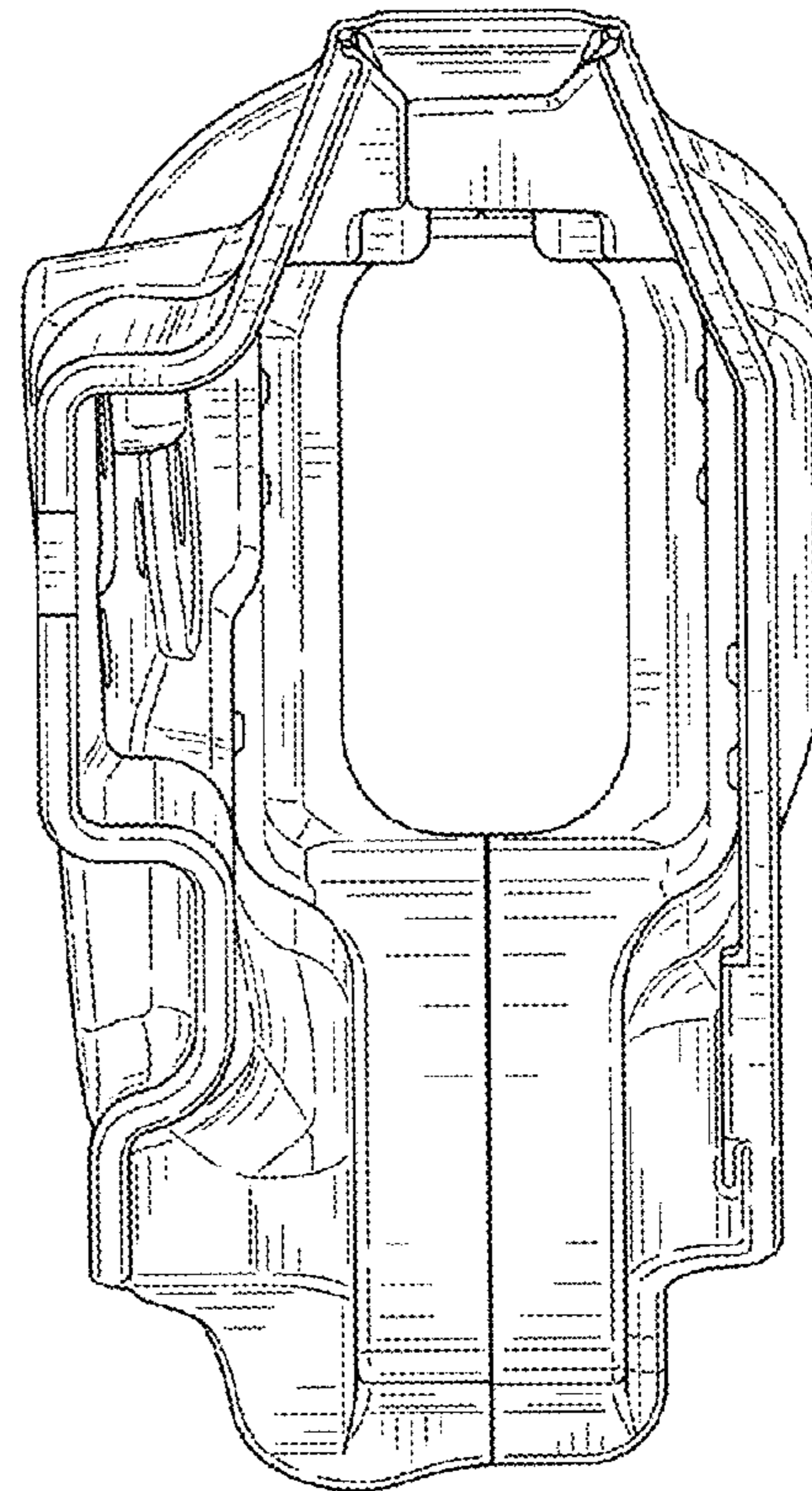


FIG. 10

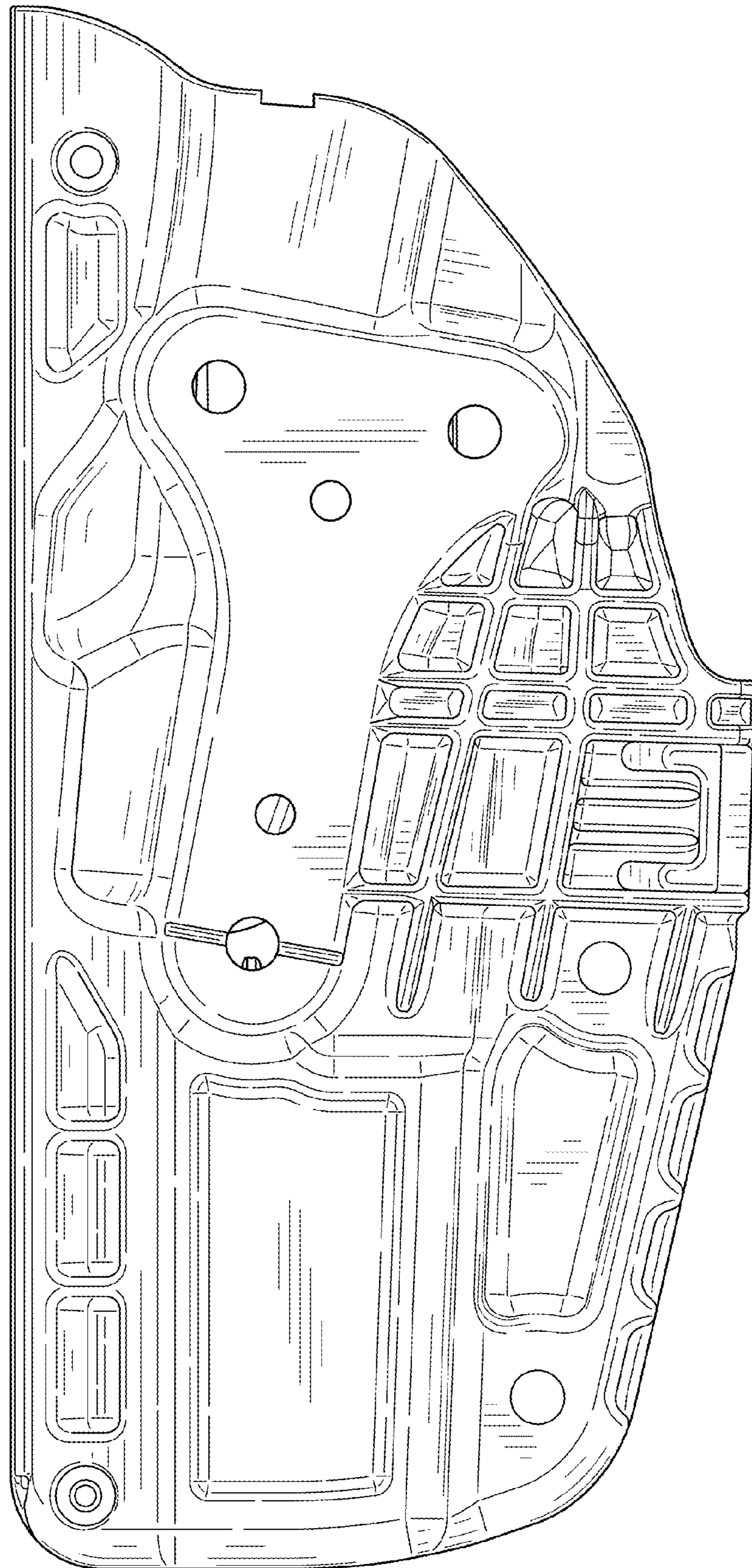


FIG. 11

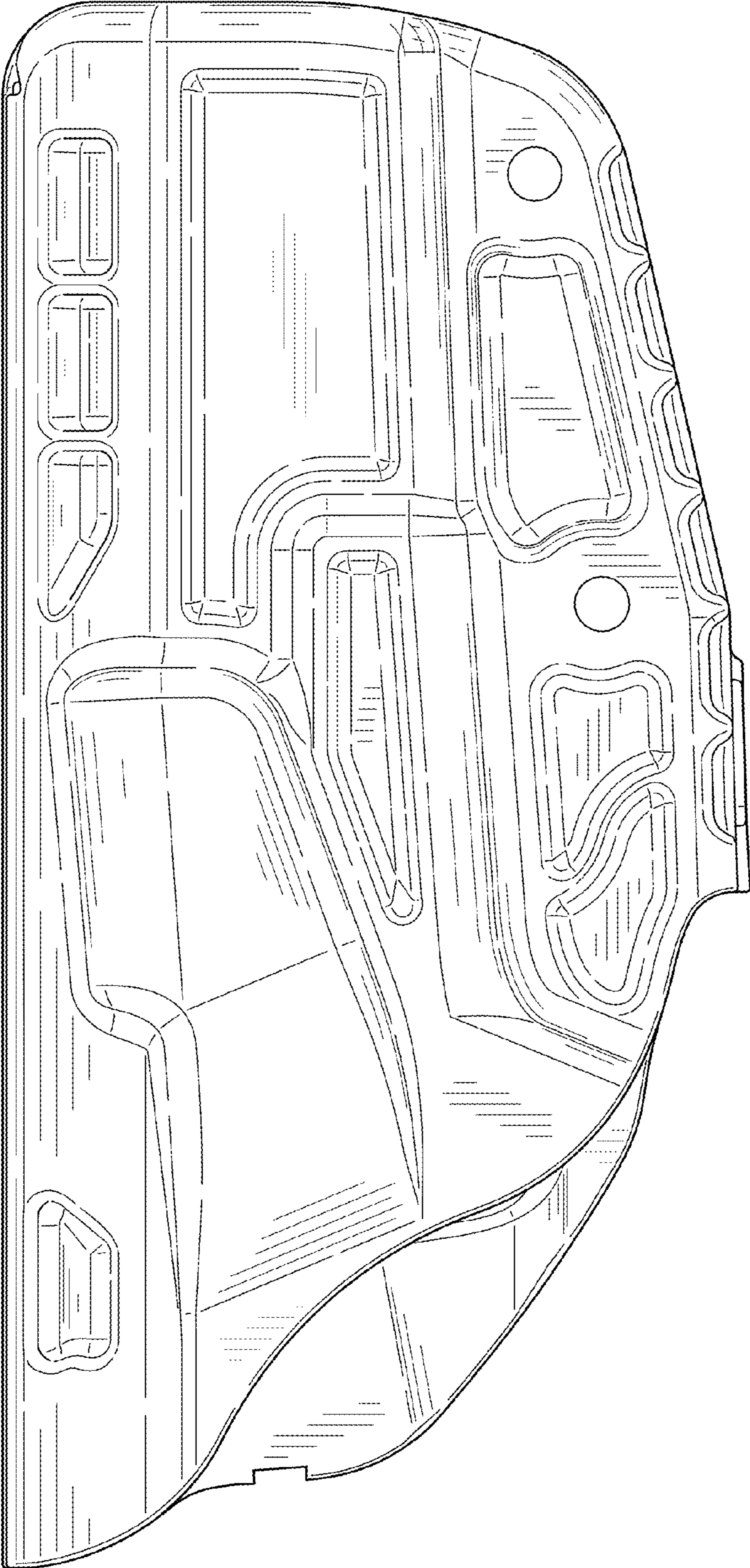


FIG. 12

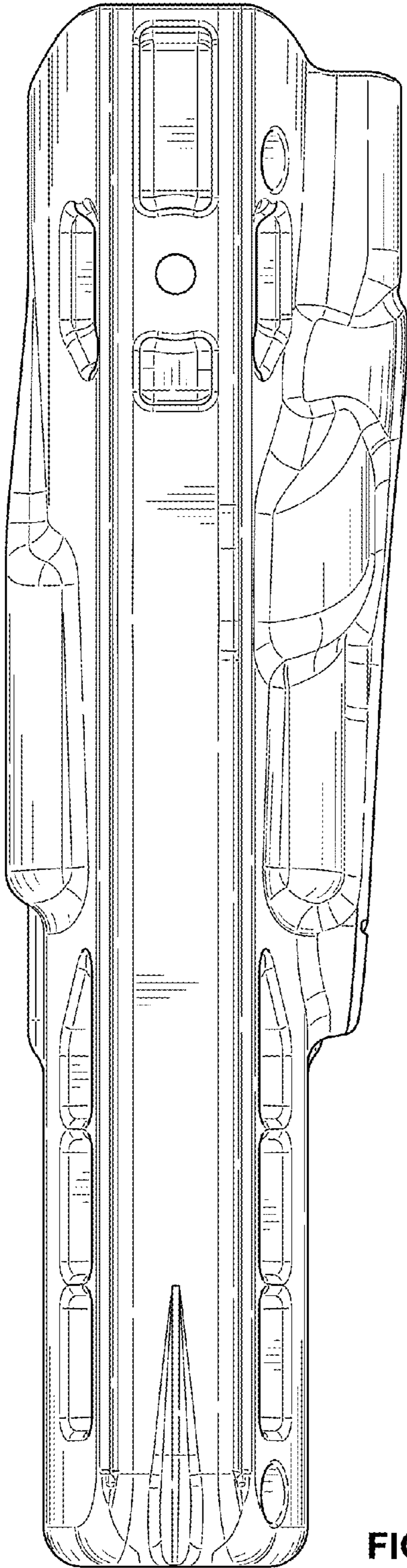


FIG. 13

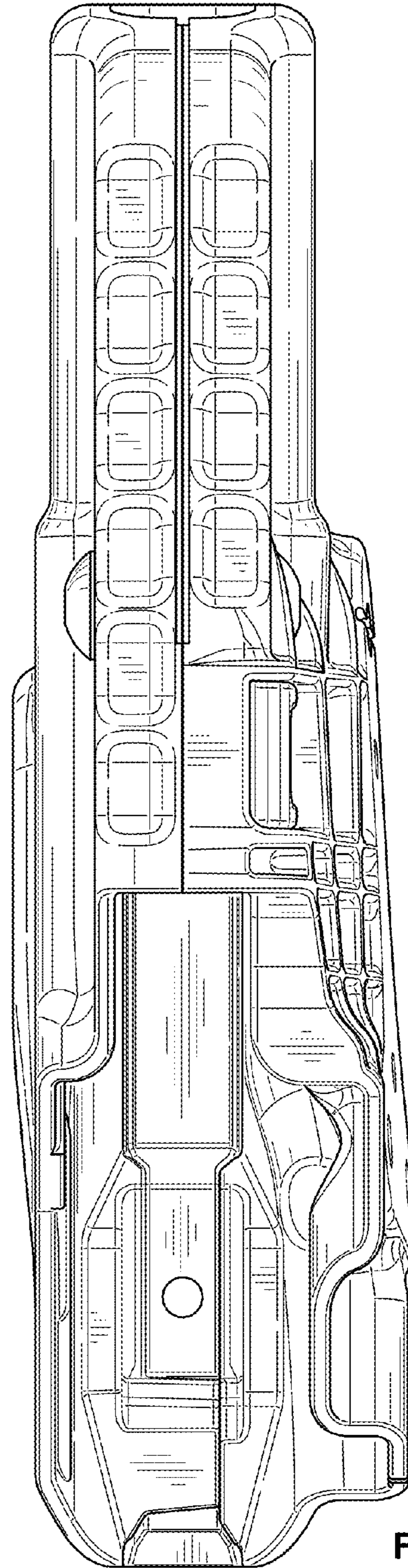


FIG. 14