



US00D702924S

(12) **United States Design Patent**
Baumgartner

(10) **Patent No.:** **US D702,924 S**

(45) **Date of Patent:** **** Apr. 22, 2014**

(54) **SMOCK**

(71) Applicant: **Myfunkins Ltd.**, Dryden (CA)

(72) Inventor: **Lisa Baumgartner**, Smith (BM)

(73) Assignee: **Myfunkins Ltd.**, Dryden (CA)

(**) Term: **14 Years**

(21) Appl. No.: **29/460,857**

(22) Filed: **Jul. 16, 2013**

(51) **LOC (10) Cl.** **02-02**

(52) **U.S. Cl.**
USPC **D2/860**

(58) **Field of Classification Search**
USPC D2/860, 861, 864; 2/46, 48-51
See application file for complete search history.

(56) **References Cited**

U.S. PATENT DOCUMENTS

1,284,252	A *	11/1918	Dalton	2/49.3
D169,912	S *	6/1953	Owen	D2/864
D170,156	S *	8/1953	Hagan	D2/864
D182,726	S *	5/1958	Kaye	D2/777
D237,022	S *	10/1975	Mathis	D2/864
D241,186	S *	8/1976	Brosk	D2/862
D250,737	S *	1/1979	Brosk	D2/864
D288,020	S *	2/1987	Miller	D2/864
D507,393	S *	7/2005	Gabrielson	D2/864
D575,936	S *	9/2008	Fenderson et al.	D2/864
D662,283	S *	6/2012	Gobble et al.	D2/829
D686,393	S *	7/2013	Sewall	D2/864
2011/0010816	A1 *	1/2011	Johnson	2/48

OTHER PUBLICATIONS

What I Do. <http://whatido.com/posts/vintage-pattern-denim-smock>.
Apr. 2012. "Vintage Pattern: Denim Smock". *

* cited by examiner

Primary Examiner — Rashida Johnson

(74) *Attorney, Agent, or Firm* — Lorelei G. Graham

(57) **CLAIM**

The ornamental design for the smock, as shown and described.

DESCRIPTION

FIG. 1 is a front perspective view of the smock, illustrating a child wearing it.

FIG. 2 is a front perspective view of the smock.

FIG. 3 is a back perspective view of the smock.

FIG. 4 is a left side view of the smock.

FIG. 5 is a front elevational view of the smock.

FIG. 6 is a right side view of the smock.

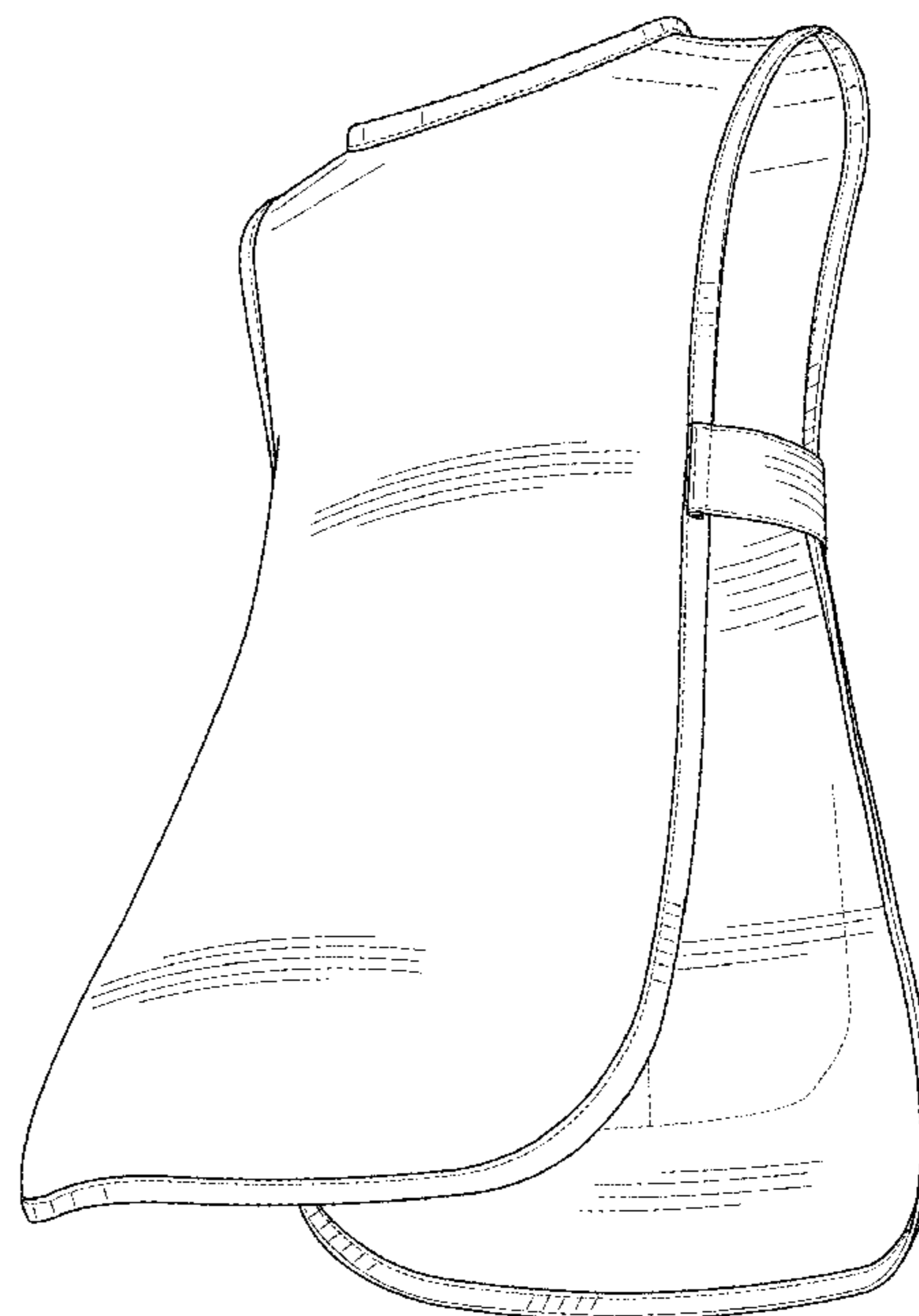
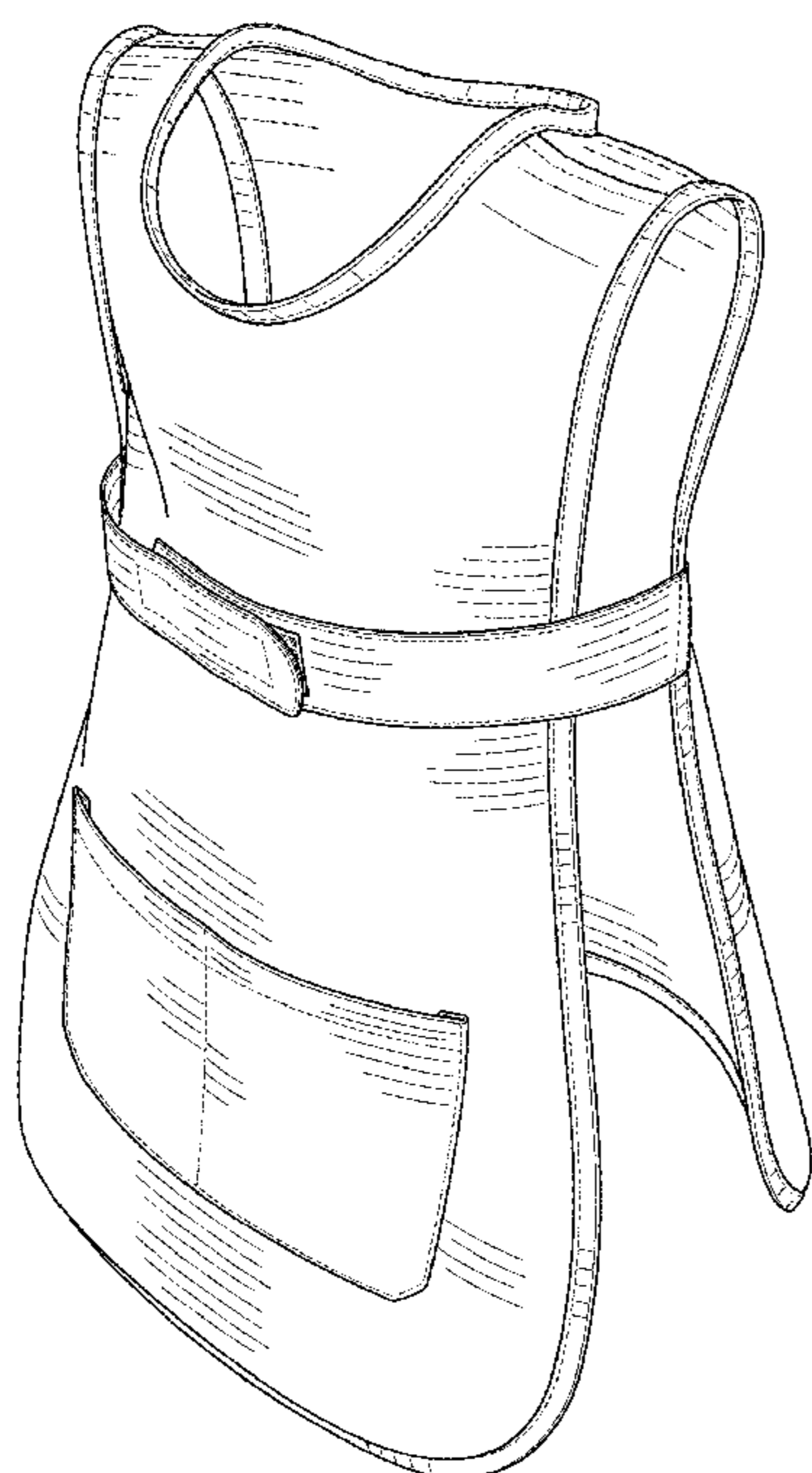
FIG. 7 is a back elevational view of the smock.

FIG. 8 is a top plan view of the smock; and,

FIG. 9 is a bottom plan view of the smock.

The dot-dashed broken lines showing portions of the human figure illustrate the design as worn and form no part of the claim. The evenly spaced broken lines illustrate the portions of the smock, which form no part of the claimed design.

1 Claim, 6 Drawing Sheets



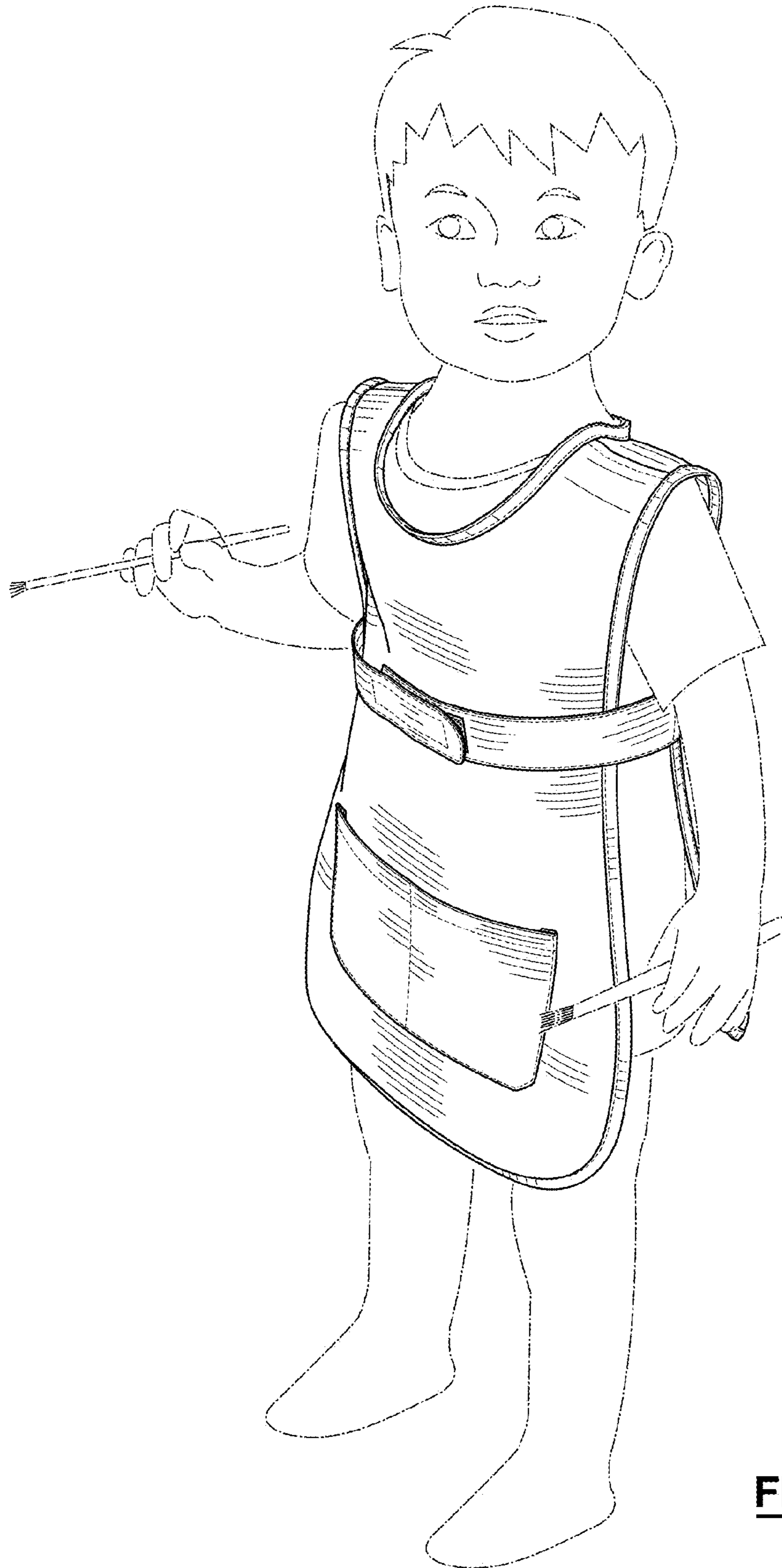


FIG. 1

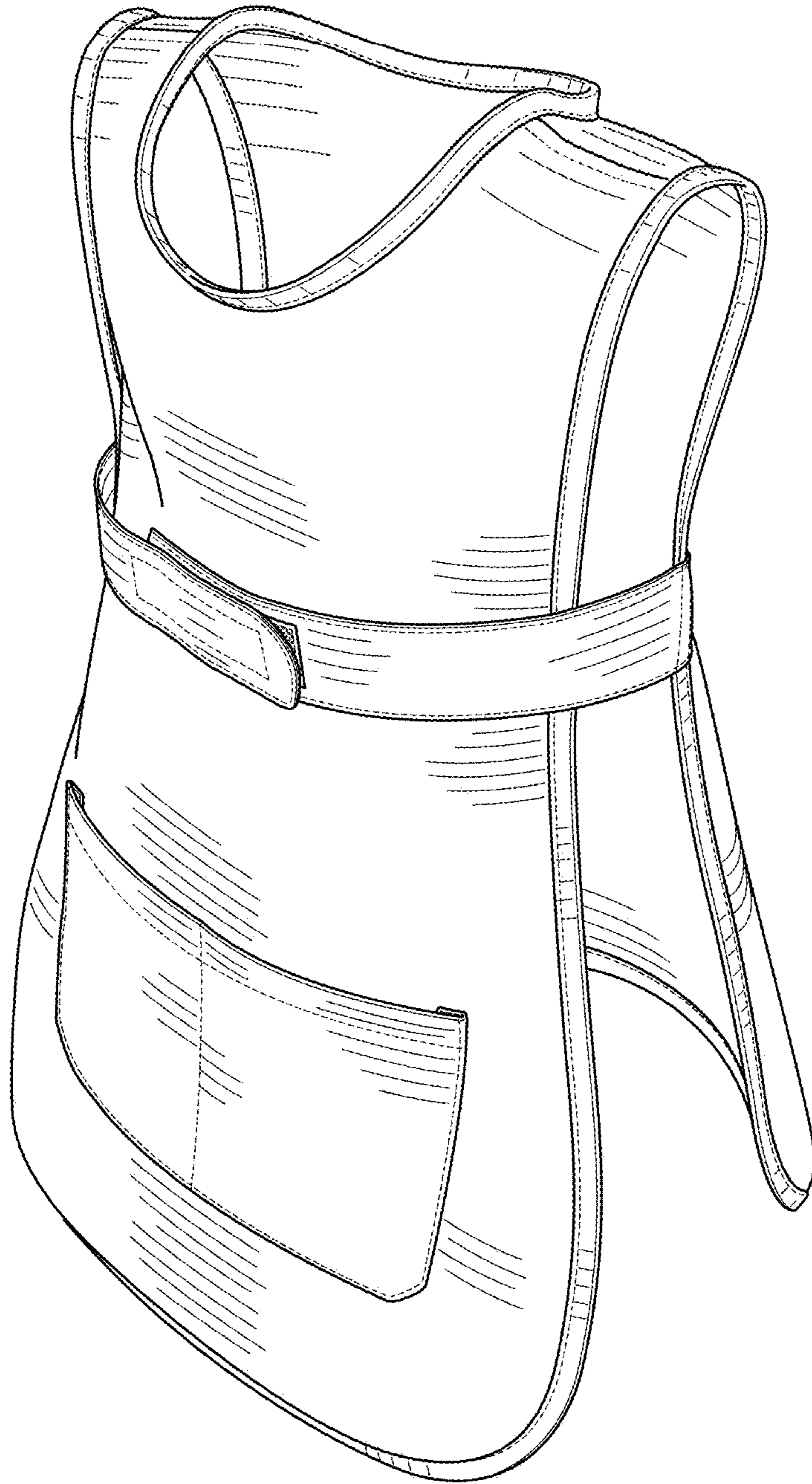


FIG. 2

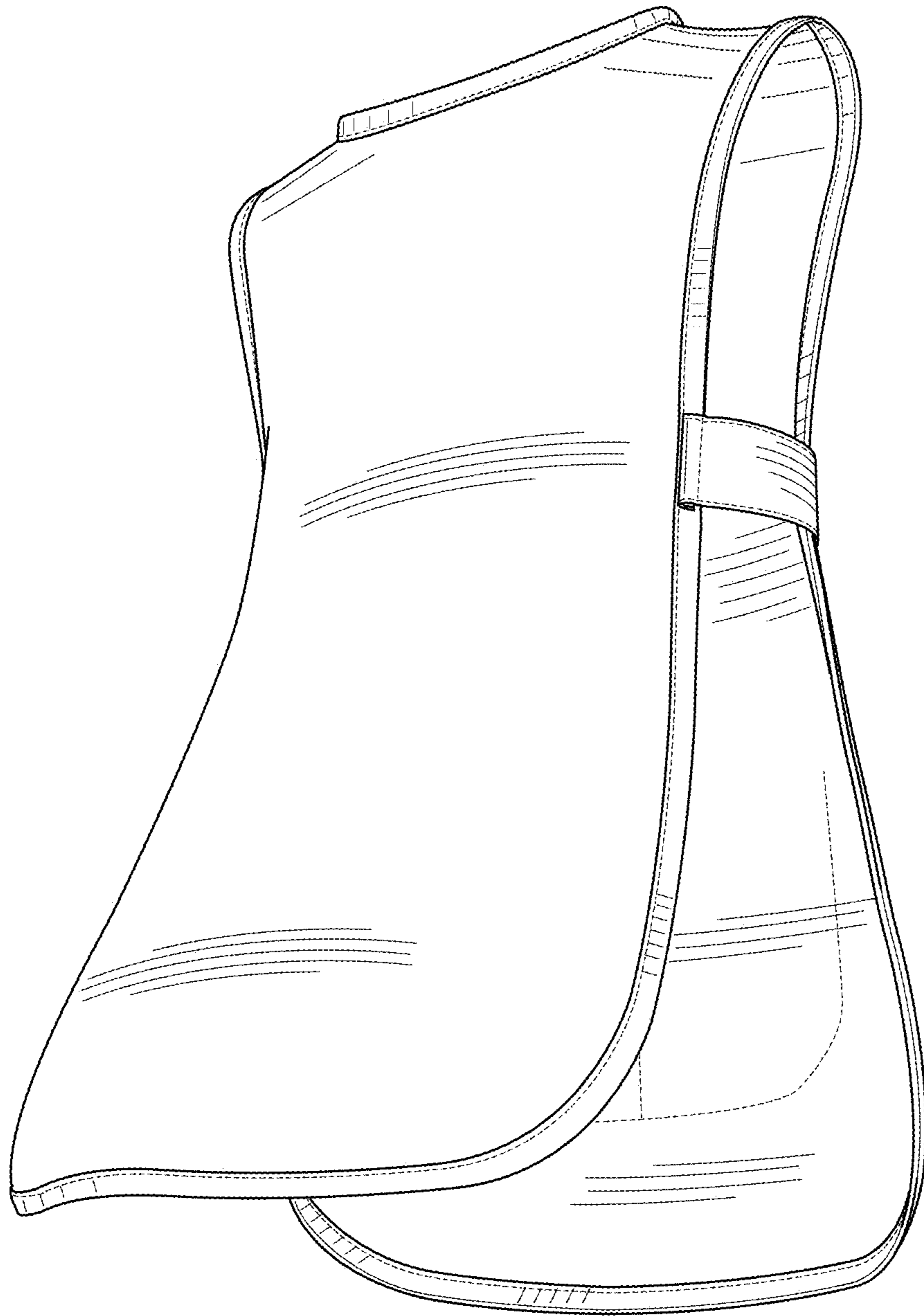


FIG. 3

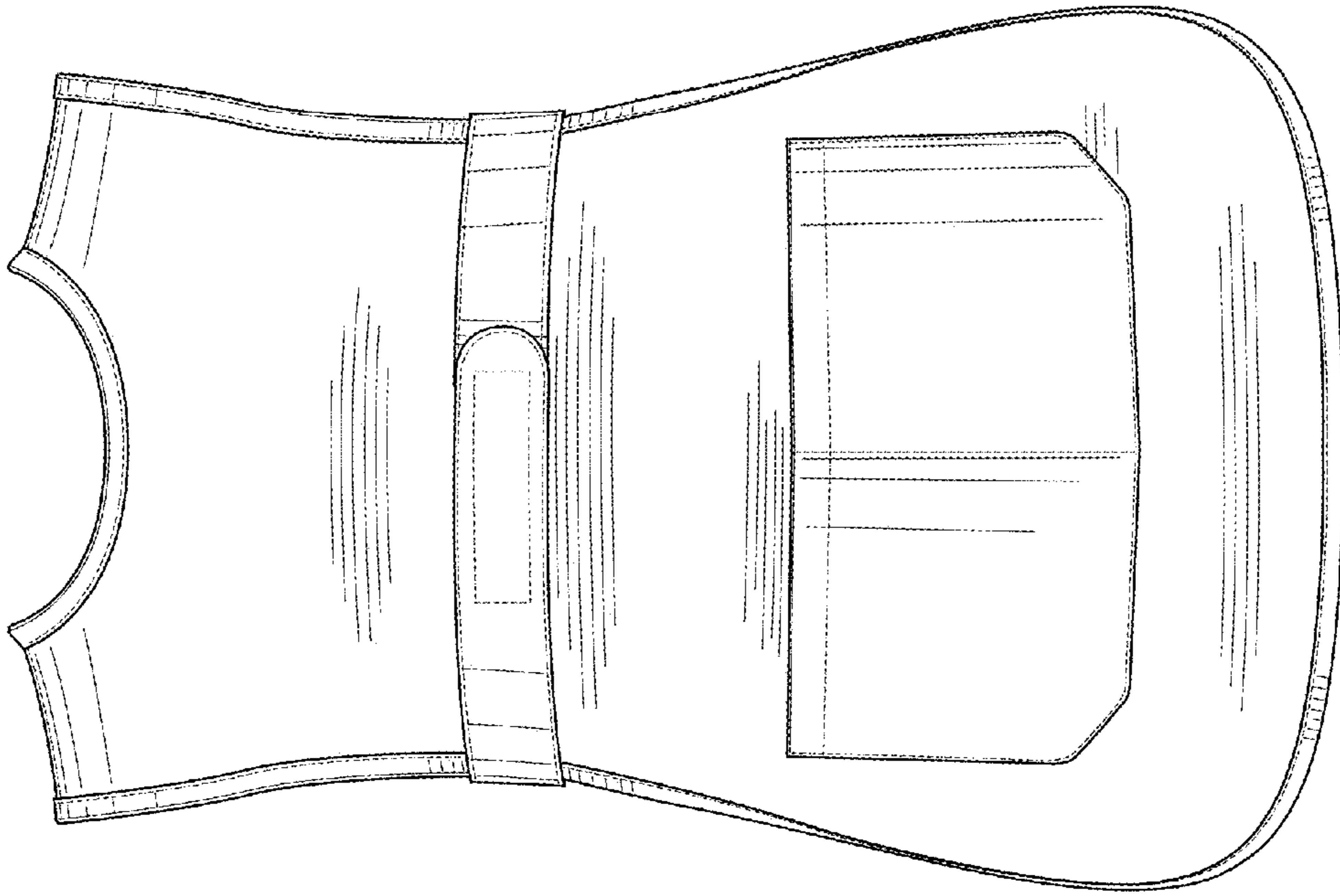


FIG. 5

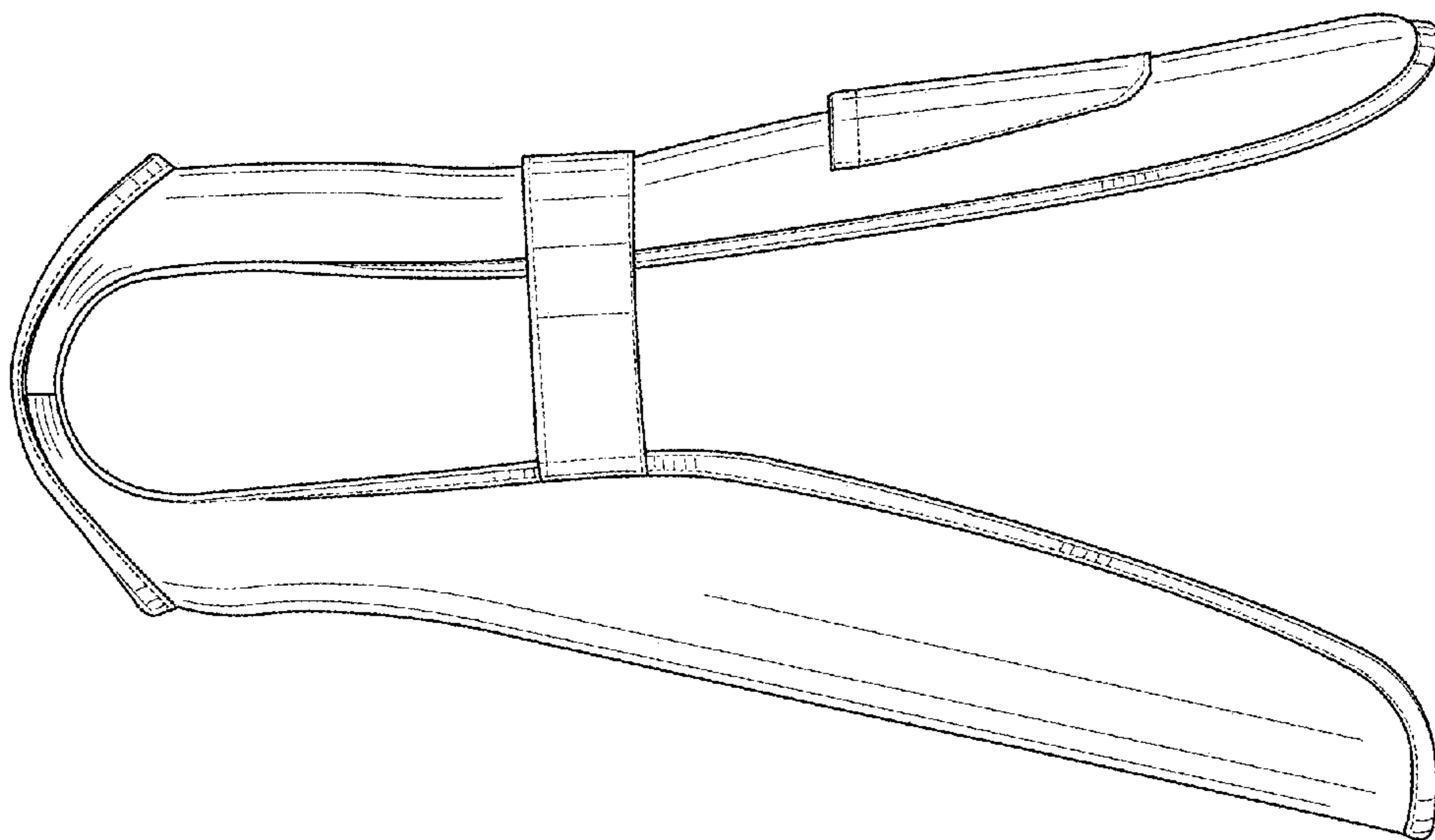


FIG. 4

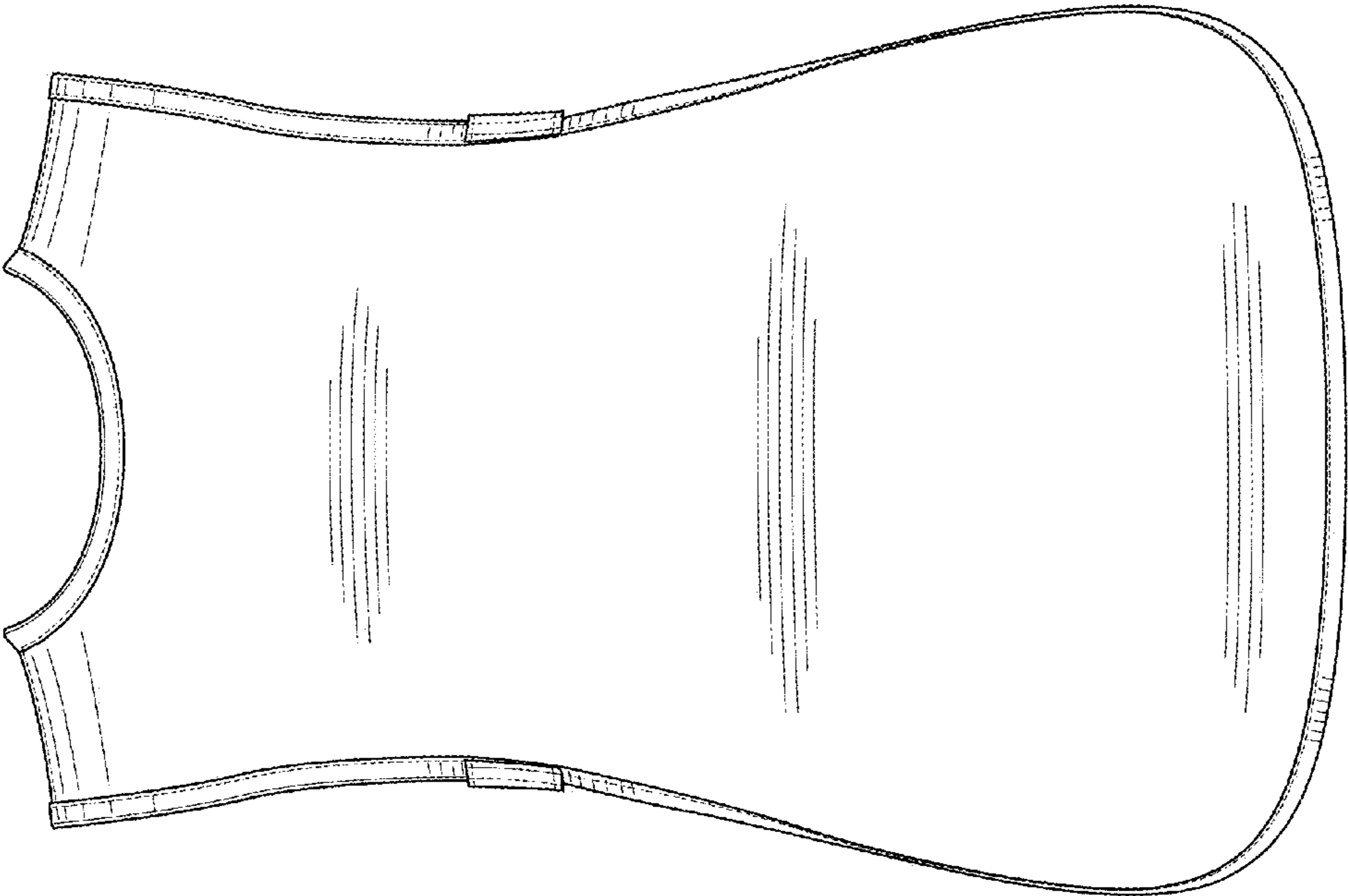


FIG. 7

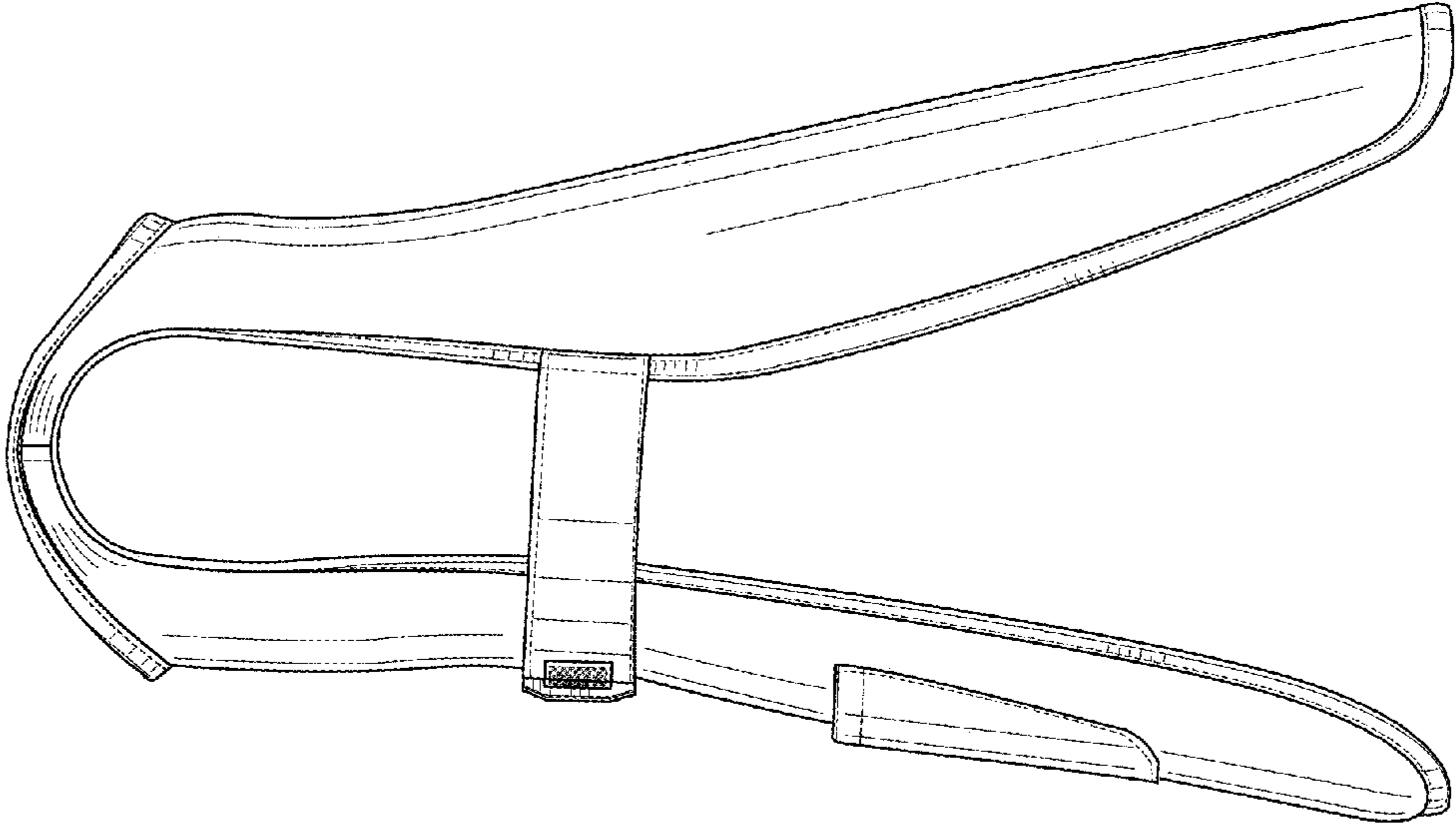


FIG. 6

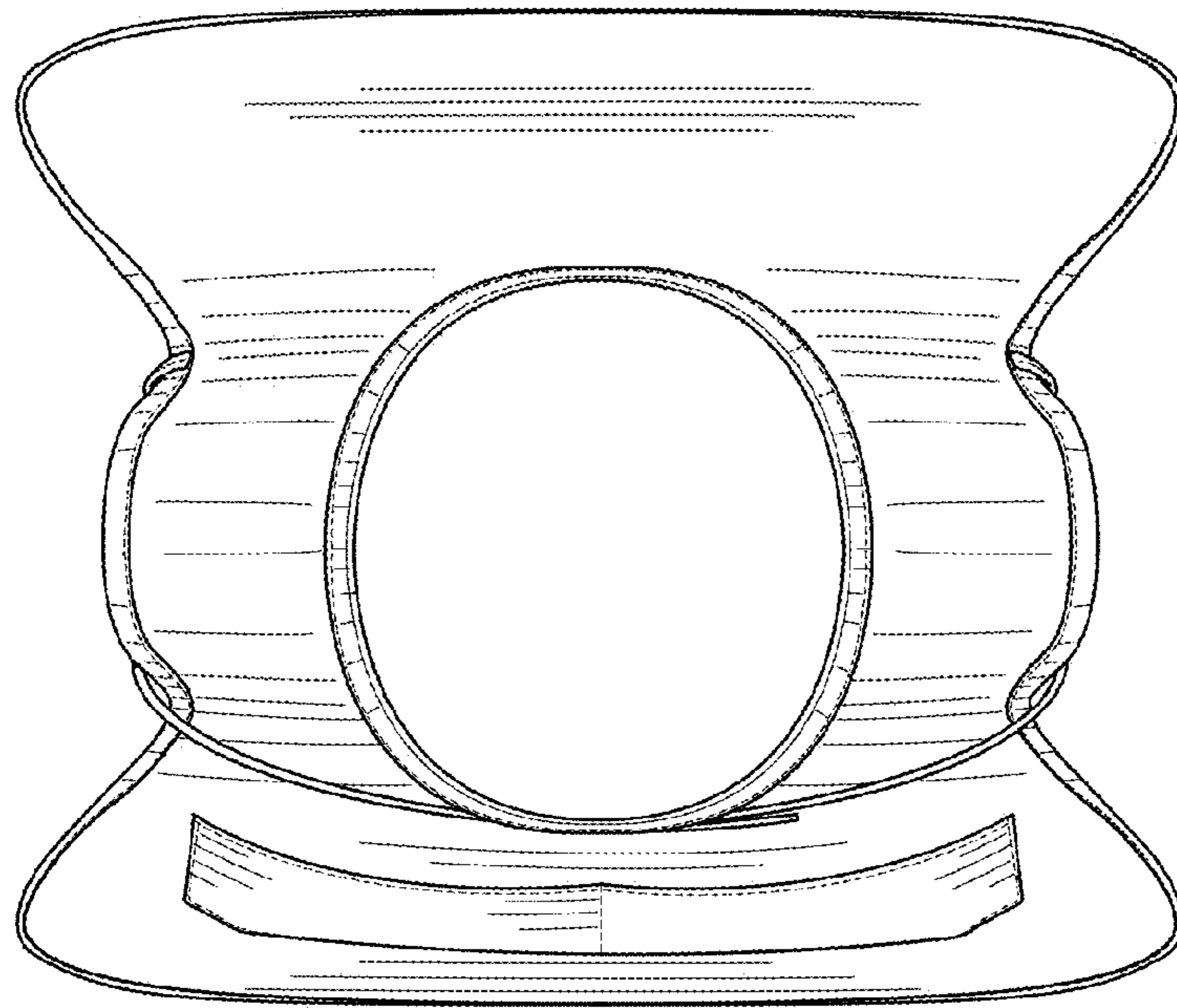


FIG. 8

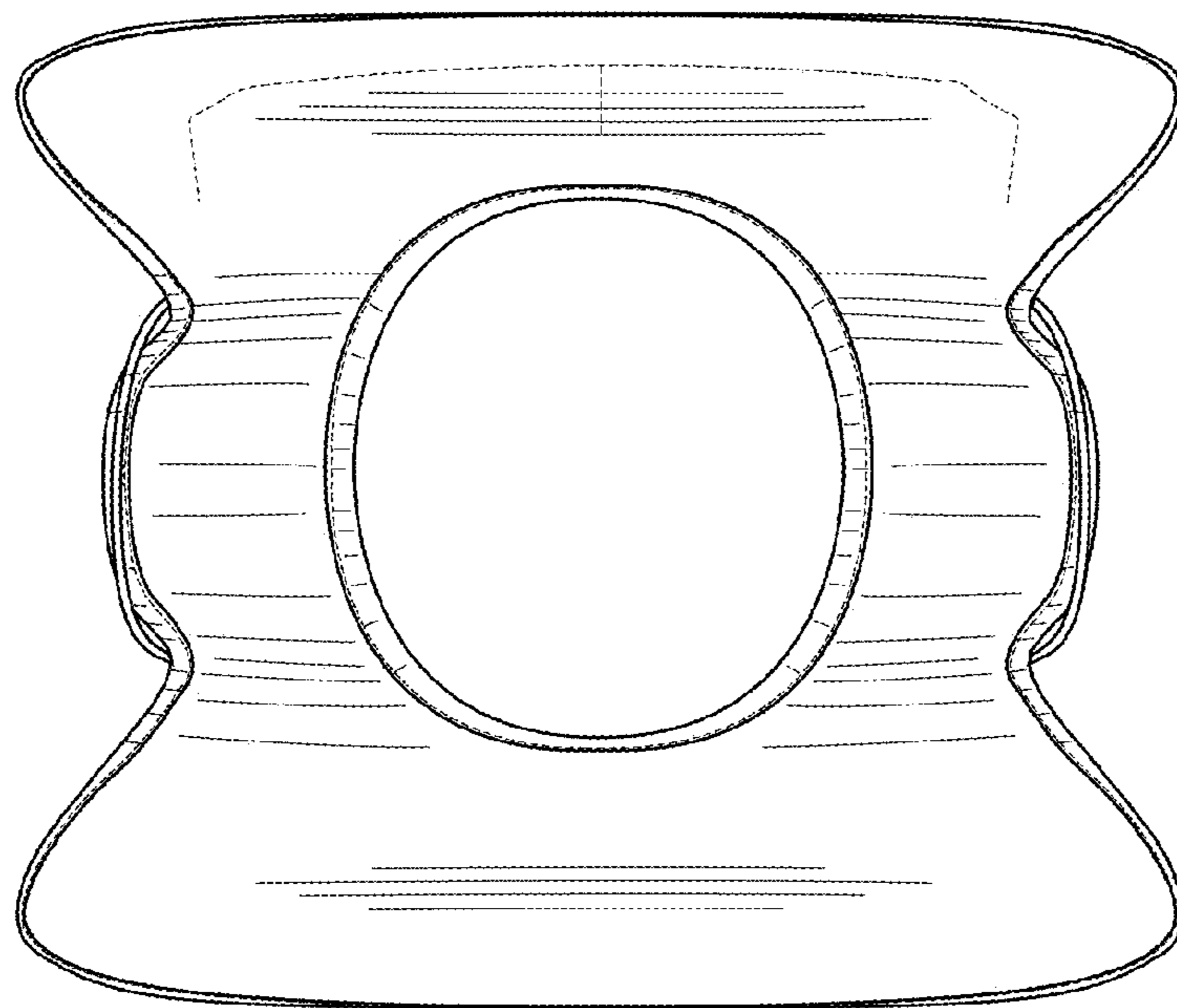


FIG. 9