



US00D702922S

(12) **United States Design Patent**
Holmes

(10) **Patent No.:** **US D702,922 S**
(45) **Date of Patent:** **** Apr. 22, 2014**

- (54) **PANTS**
- (71) Applicant: **NIKE, Inc.**, Beaverton, OR (US)
- (72) Inventor: **Charlie Holmes**, Portland, OR (US)
- (73) Assignee: **NIKE, Inc.**, Beaverton, OR (US)
- (**) Term: **14 Years**
- (21) Appl. No.: **29/469,683**
- (22) Filed: **Oct. 11, 2013**
- (51) **LOC (10) Cl.** **02-02**
- (52) **U.S. Cl.**
USPC **D2/742**
- (58) **Field of Classification Search**
USPC D2/712, 731, 738, 742, 748, 857; 2/79,
2/227, 228, 238, 242, 247
See application file for complete search history.

- D609,430 S 2/2010 Clement
- D612,581 S * 3/2010 Ramirez D2/742
- D613,038 S 4/2010 Viola et al.
- D614,378 S 4/2010 Viola et al.
- D630,415 S 1/2011 Nunn
- D635,331 S * 4/2011 Eckman et al. D2/742
- D640,041 S 6/2011 Flora et al.

(Continued)

FOREIGN PATENT DOCUMENTS

JP 09256206 A * 9/1997

OTHER PUBLICATIONS

AllSaints. <http://www.us.allsaints.com/men/trousers/allsaints-zodiac-sweat-pant/>. Copyright 2013. "Zodiac Sweat Pant".*

(Continued)

Primary Examiner — Rashida Johnson
(74) *Attorney, Agent, or Firm* — Banner & Witcoff, Ltd

(57) **CLAIM**

The ornamental design for pants, as shown and described.

DESCRIPTION

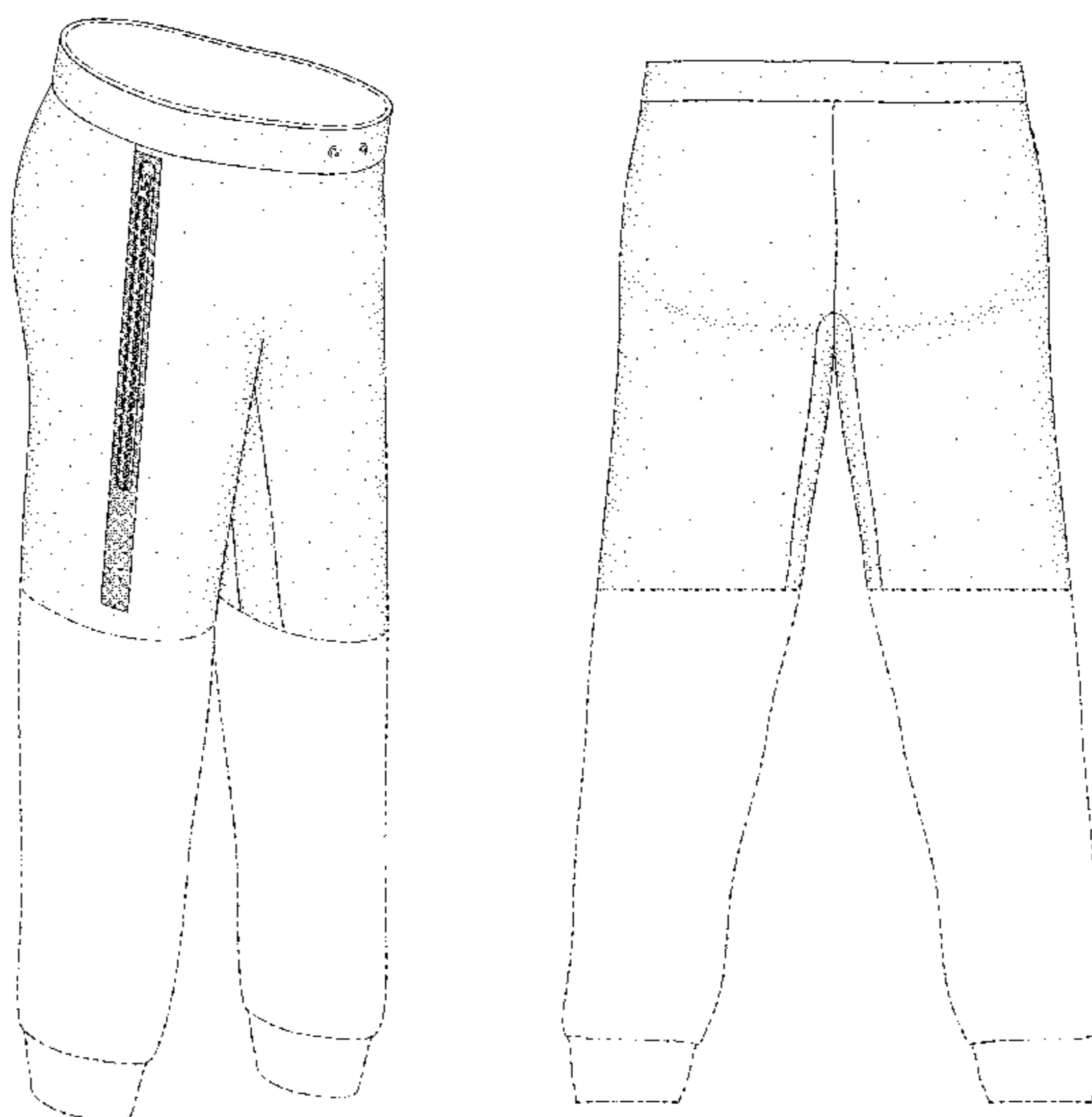
FIG. 1 is a left front perspective view of pants showing my new design in an in-use configuration;
FIG. 2 is a right front perspective view thereof;
FIG. 3 is a front view thereof;
FIG. 4 is a rear view thereof;
FIG. 5 is a left side view thereof; and,
FIG. 6 is a right side view thereof.
The broken lines immediately adjacent to the shaded area represent unclaimed boundaries of the design. The contrast shading in the zipper region represents as contrast in appearance only and does not represent any particular color, material, texture or finish. The broken lines showing the remainder of the garment are for environmental purposes only and form no part of the claimed design.

1 Claim, 6 Drawing Sheets

(56) **References Cited**

U.S. PATENT DOCUMENTS

- 1,981,088 A * 11/1934 Buchman 2/227
- 2,132,117 A * 10/1938 Korolick 2/228
- 4,017,910 A * 4/1977 Bente 2/232
- D255,168 S 6/1980 Taylor
- D280,565 S 9/1985 Winslow
- D300,383 S 3/1989 Yasuda
- D350,845 S 9/1994 Mahan
- D412,610 S 8/1999 Fujii et al.
- D412,772 S 8/1999 Fujii et al.
- D413,008 S 8/1999 Fujii et al.
- D427,750 S 7/2000 Fujii et al.
- D436,713 S 1/2001 Doolittle
- D438,692 S * 3/2001 Digby D2/779
- D457,290 S * 5/2002 Thompson D2/743
- D483,924 S 12/2003 Morisset
- D491,712 S 6/2004 Morisset
- D513,660 S 1/2006 Greene
- D518,624 S * 4/2006 Zimmerman D2/742
- D571,536 S 6/2008 Huen et al.
- D575,028 S 8/2008 Patton



(56)

References Cited

U.S. PATENT DOCUMENTS

D649,746 S 12/2011 Girbaud et al.
D651,379 S 1/2012 Halpern
D661,465 S 6/2012 Smith et al.
D663,102 S * 7/2012 Hogg D2/738
D663,922 S 7/2012 Karik et al.
D663,923 S 7/2012 Karik et al.
D664,737 S 8/2012 Slank
D674,992 S 1/2013 Abbevik et al.
D680,299 S 4/2013 Scott
D683,522 S 6/2013 Pasloski
D690,080 S 9/2013 Grosbol
D690,081 S 9/2013 Grosbol

D690,082 S 9/2013 Grosbol
D690,083 S 9/2013 Grosbol
2009/0178174 A1* 7/2009 Cash, Jr. 2/69
2013/0047318 A1* 2/2013 Grate 2/227

OTHER PUBLICATIONS

Nike. http://store.nike.com/us/en_us/pd/tech-fleece-pants/pid-721848/pgid-831822. Date Unknown: Viewed Jan. 2014. Nike Tech Fleece: Men's Pants.*
Harvey Nichols. <http://www.harveynichols.com/womens-1/categories/designer-trousers/sports/s423761-knitted-jogging-trousers.html>. Copyright 2013. "T By Alexander Wang: Knitted Jogging Trousers".*

* cited by examiner

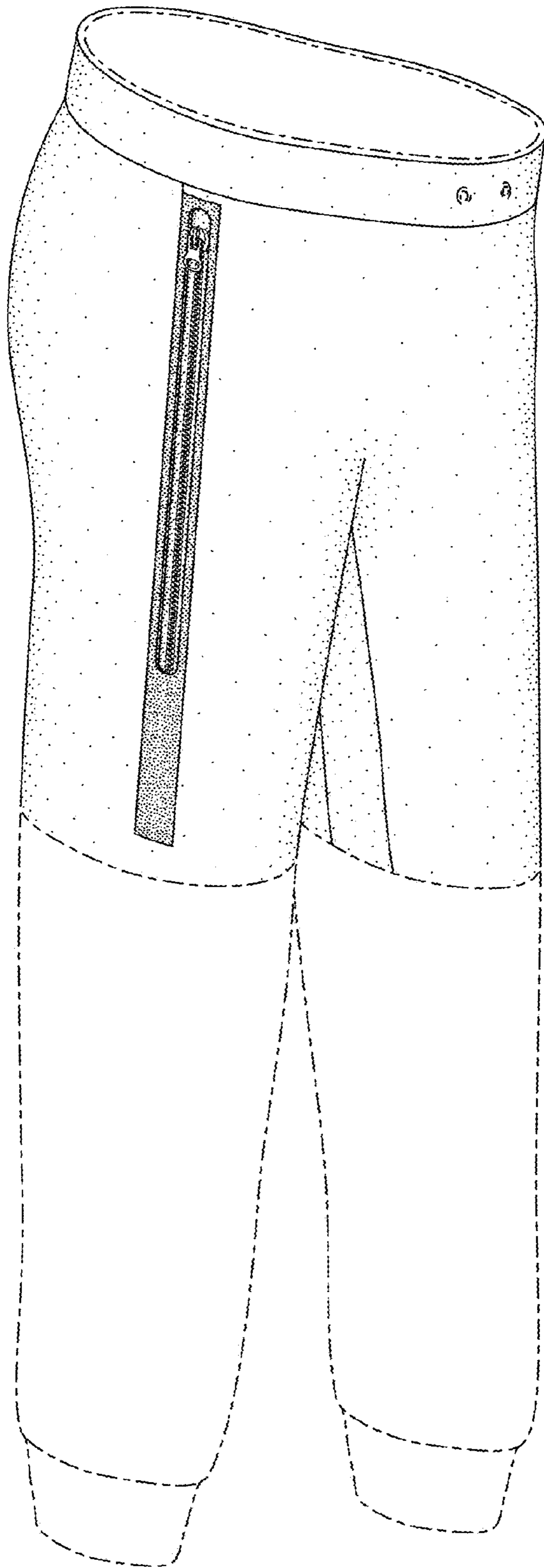


FIG. 1

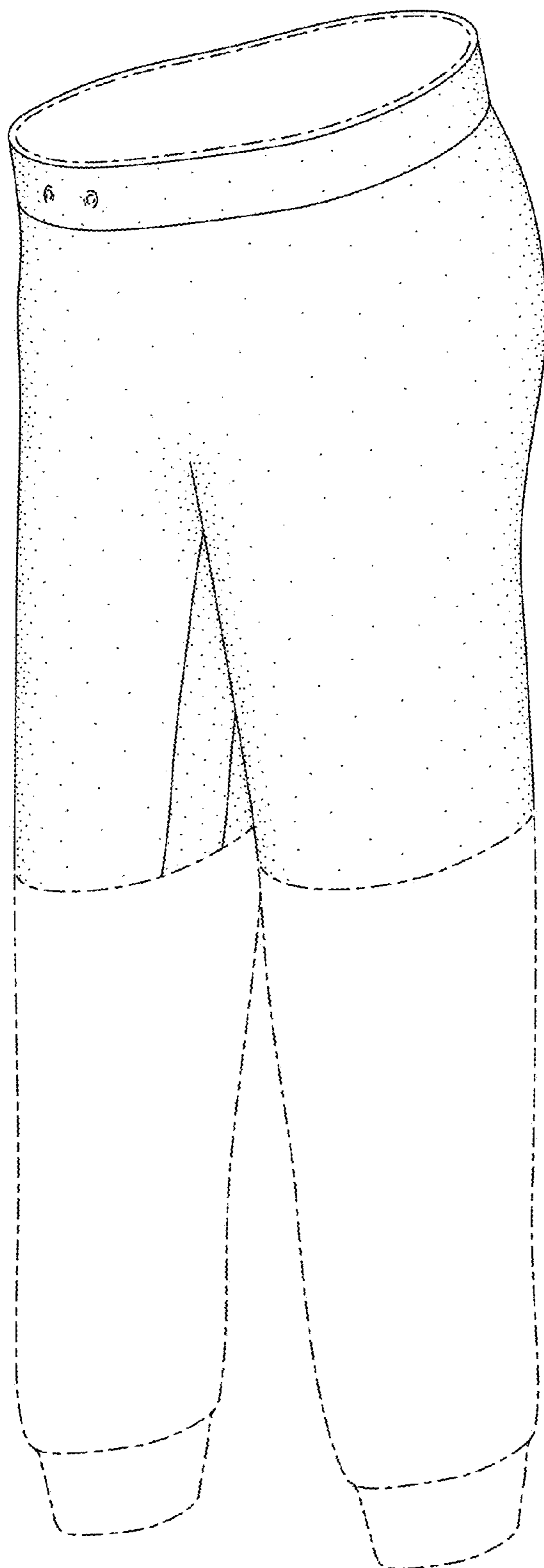


FIG. 2

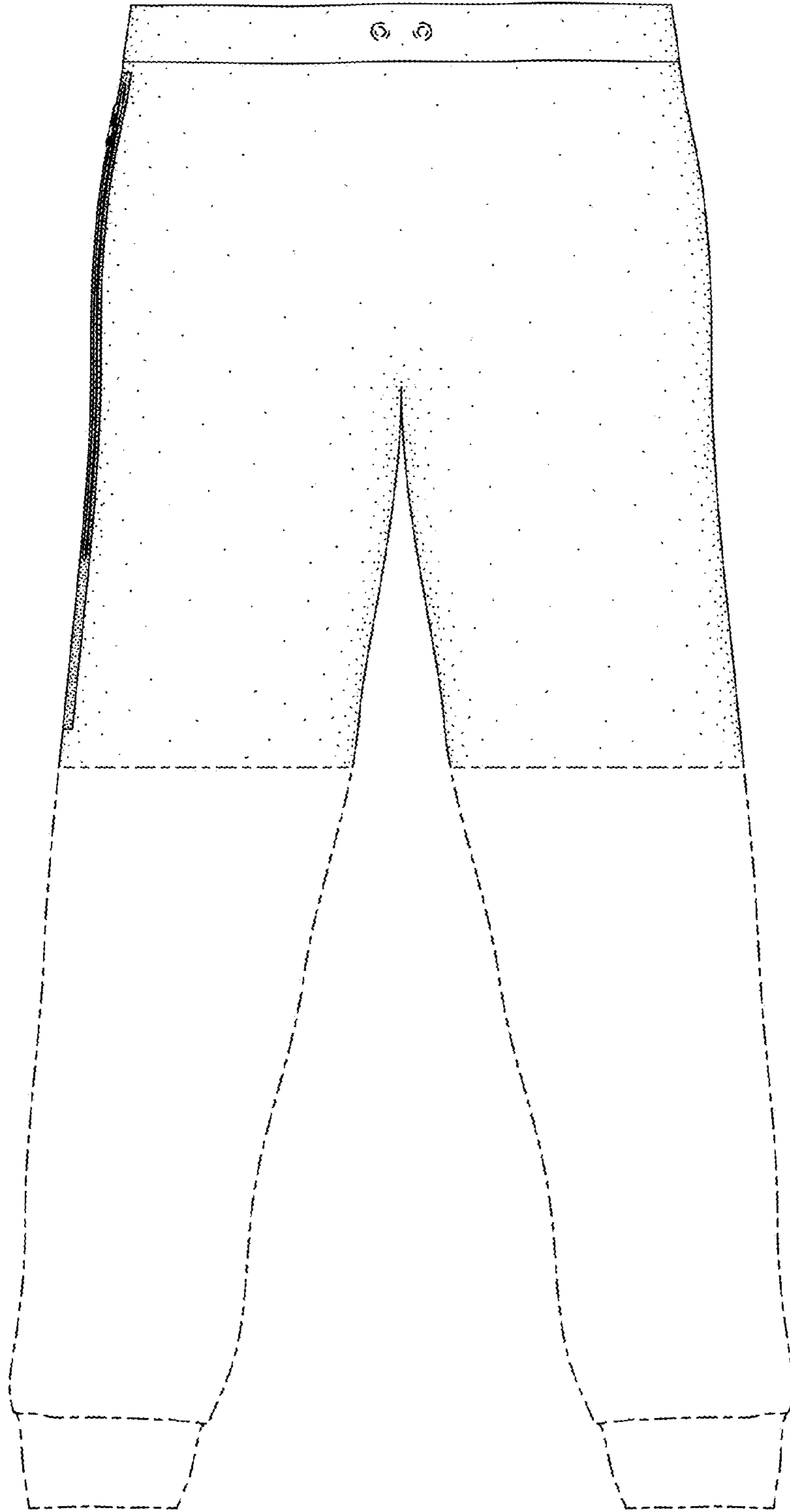


FIG. 3

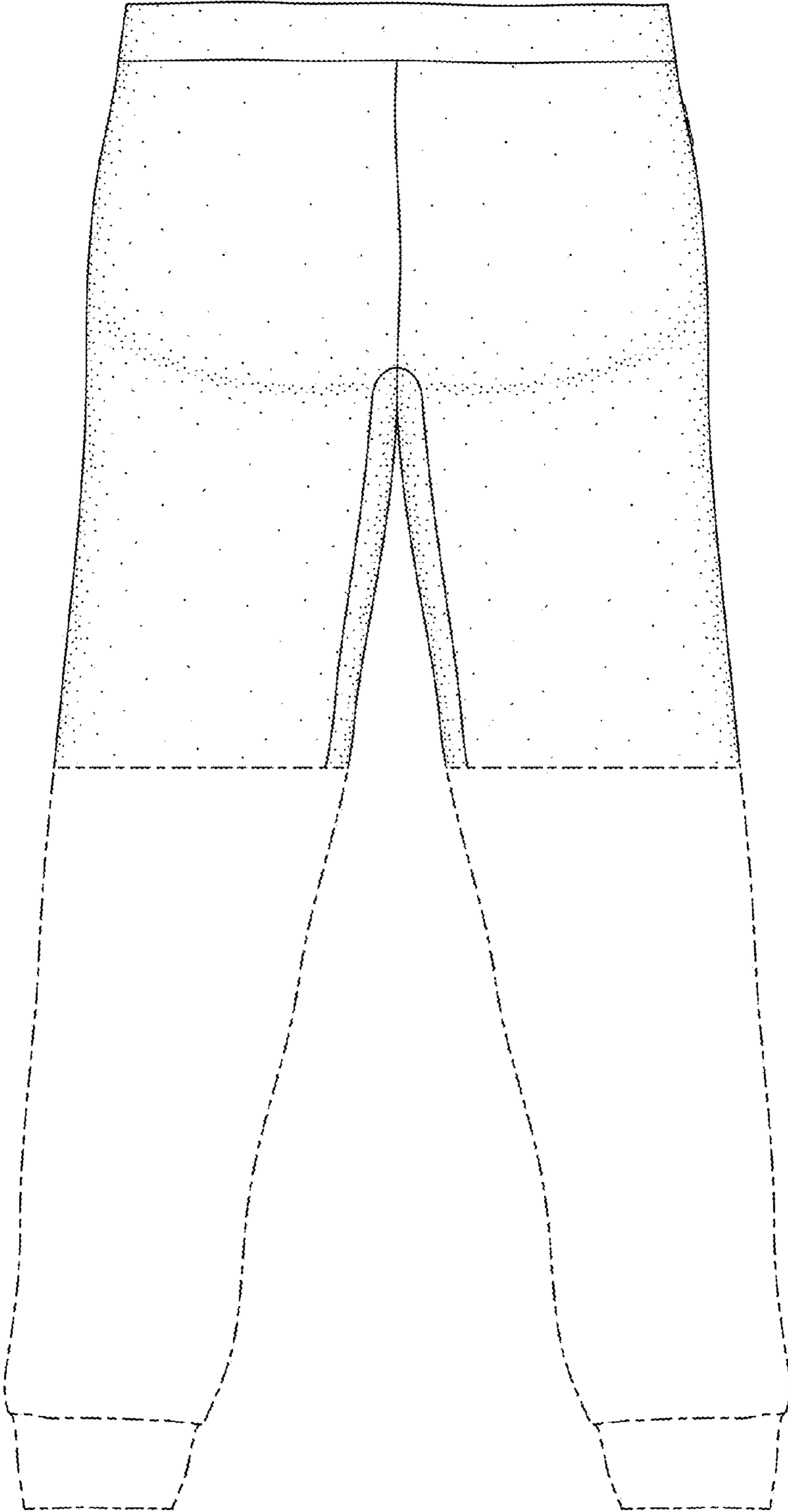


FIG. 4

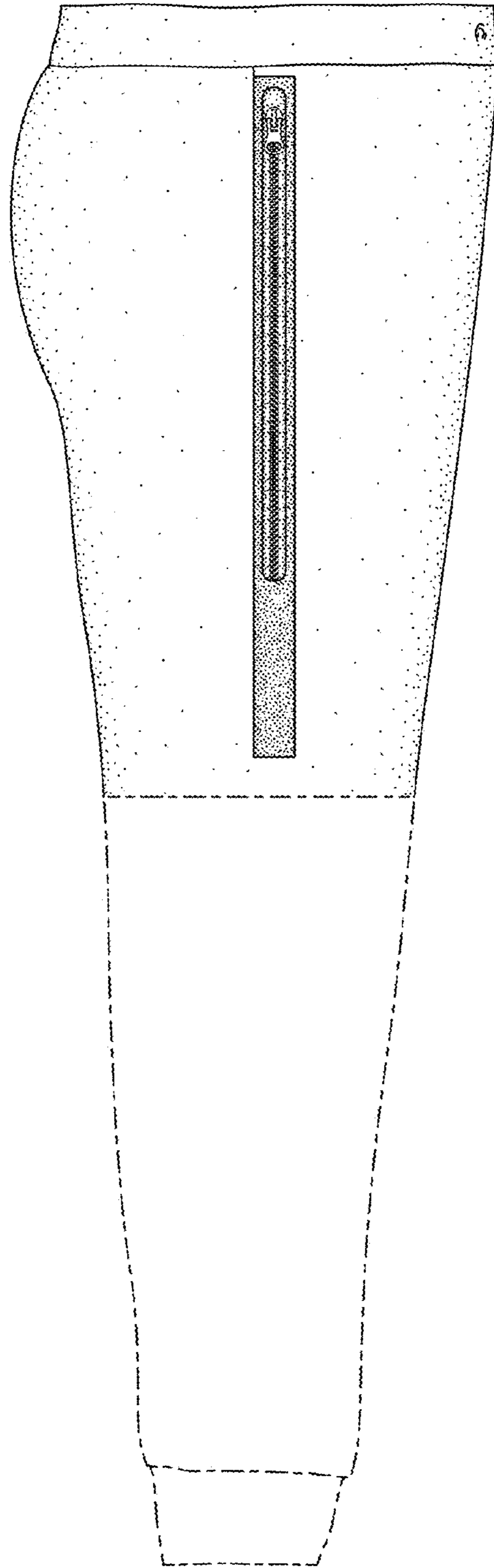


FIG. 5

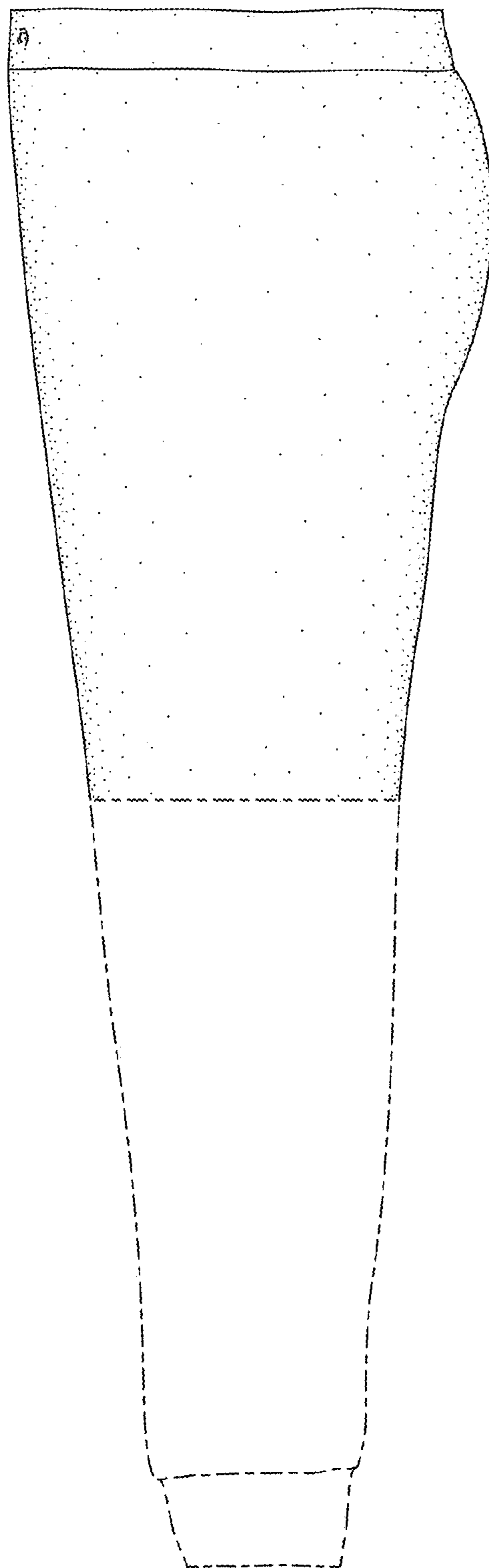


FIG. 6