



US00D702916S

(12) **United States Design Patent**
Kim

(10) **Patent No.:** **US D702,916 S**
(45) **Date of Patent:** **** Apr. 22, 2014**

(54) **TIE AND HANDKERCHIEF RETAIL COMBINATION**

(71) Applicant: **Peacock Apparel Group, Inc.**, New York, NY (US)

(72) Inventor: **Cin Kim**, Alpine, NJ (US)

(73) Assignee: **Peacock Apparel Group, Inc.**, New York, NY (US)

(**) Term: **14 Years**

(21) Appl. No.: **29/461,693**

(22) Filed: **Jul. 26, 2013**

1,862,353 A	6/1932	Allison	
1,995,864 A	3/1935	Reinhold	
2,063,255 A	12/1936	Kim	
2,093,830 A	9/1937	Flatley	
2,233,207 A	2/1941	Gillam	
2,907,045 A	10/1959	O'Reilly	
3,032,242 A *	5/1962	Roberts 223/87
3,043,494 A	7/1962	Kim	
3,060,448 A	10/1962	Mongelli	
3,066,792 A	12/1962	Spilman	
3,308,935 A	3/1967	Cote	
3,346,881 A	10/1967	Mathison	
3,363,264 A	1/1968	Mathison	
3,506,978 A	4/1970	Santona	
3,511,364 A	5/1970	Airdo	
3,670,881 A	6/1972	Dutcher	
3,790,045 A *	2/1974	Rigel et al. 223/87
3,890,678 A	6/1975	Leonard	
3,964,105 A	6/1976	Gideon	

(Continued)

Related U.S. Application Data

(62) Division of application No. 29/428,031, filed on Jul. 25, 2012, now Pat. No. Des. 688,030, which is a division of application No. 29/398,693, filed on Aug. 3, 2011, now Pat. No. Des. 666,381.

(51) **LOC (10) Cl.** **02-05**

(52) **U.S. Cl.**
USPC **D2/605; D9/722**

(58) **Field of Classification Search**
USPC D2/600, 601, 602, 603, 604, 605, 606, D2/607, 608, 609; D6/315; D9/702, 711, D9/721, 722, 414, 415, 457; 2/130, 144, 2/145, 146, 147, 148, 149, 150, 151, 2/152.1, 153, 154, 155, 156, 157; 206/278, 288, 289, 292, 495; 223/85, 223/87, 88; 248/340

See application file for complete search history.

(56) **References Cited**

U.S. PATENT DOCUMENTS

698,266 A	4/1902	Elliott
982,948 A	1/1911	Griesemer
1,253,457 A	1/1918	Atkinson

OTHER PUBLICATIONS

U.S. Appl. No. 29/326,598, filed Oct. 21, 2008, Kim.

(Continued)

Primary Examiner — Karen E Eldridge Powers
(74) *Attorney, Agent, or Firm* — Leason Ellis LLP

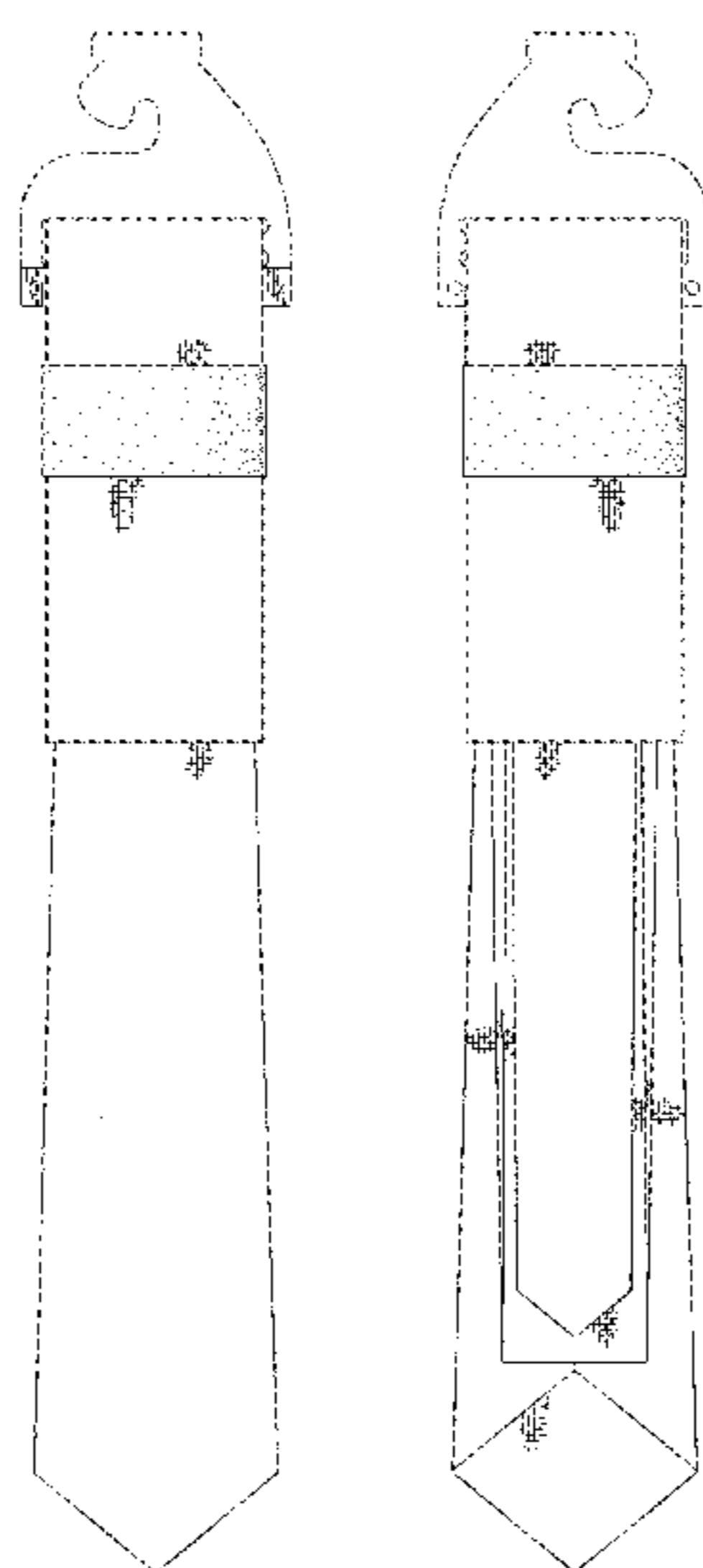
(57) **CLAIM**

The ornamental design for a tie and handkerchief retail combination, as shown and described.

DESCRIPTION

FIG. 1 is a front elevation view of a tie and handkerchief retail combination showing my new design; FIG. 2 is a rear elevation view thereof; and, FIG. 3 is a left side elevation view thereof. The broken lines in the drawings illustrate environmental subject matter that forms no part of the claimed design.

1 Claim, 1 Drawing Sheet



(56)

References Cited

U.S. PATENT DOCUMENTS

3,999,222 A 12/1976 Walborn
 4,046,253 A 9/1977 Weaver
 4,173,792 A 11/1979 Intengan
 4,182,224 A 1/1980 Dutcher
 D261,479 S 10/1981 Marks
 4,546,494 A 10/1985 Garber
 4,590,610 A 5/1986 Rhyne
 4,667,346 A 5/1987 Strollo
 4,762,272 A 8/1988 Herrin
 4,856,709 A 8/1989 Axelsson et al.
 4,933,991 A 6/1990 Love
 5,002,220 A 3/1991 Safranski
 D343,356 S 1/1994 Wittman
 D346,960 S 5/1994 Bennett
 5,316,139 A 5/1994 Judd et al.
 D349,181 S 8/1994 Cheng
 5,499,484 A 3/1996 Herrin
 D368,588 S 4/1996 Goraleski et al.
 5,549,243 A 8/1996 Dorier et al.
 5,673,434 A 10/1997 Risk
 D390,339 S 2/1998 Dipietro
 5,774,893 A 7/1998 Torres
 5,826,760 A * 10/1998 Kolton et al. 223/85
 6,041,998 A 3/2000 Goldberg et al.
 6,102,279 A 8/2000 Dowd
 6,126,000 A 10/2000 Tung
 6,142,365 A 11/2000 Breitbach
 6,460,189 B1 10/2002 Welch
 6,499,590 B1 12/2002 Godshaw et al.
 D492,595 S 7/2004 Chang
 6,901,636 B2 6/2005 Kim
 6,978,518 B2 12/2005 Kim
 7,096,509 B2 8/2006 Kim
 7,114,220 B2 10/2006 Kim
 D546,674 S 7/2007 Limber
 D553,495 S 10/2007 Vandecasteele et al.
 7,310,857 B2 12/2007 Kim
 D565,965 S 4/2008 Kim
 D565,966 S 4/2008 Kim

D574,723 S 8/2008 Kim
 D574,724 S 8/2008 Kim
 D574,725 S 8/2008 Kim
 D574,726 S 8/2008 Kim
 D574,727 S 8/2008 Kim
 D574,728 S 8/2008 Kim
 D574,730 S 8/2008 Kim
 7,441,678 B2 * 10/2008 Ford et al. 223/87
 D589,364 S 3/2009 Kim
 D589,365 S 3/2009 Kim
 D589,366 S 3/2009 Kim
 D589,367 S 3/2009 Kim
 7,500,559 B2 * 3/2009 Kim 206/278
 D590,724 S 4/2009 Kim
 D590,725 S 4/2009 Kim
 D590,726 S 4/2009 Kim
 D593,872 S 6/2009 Kim
 D593,873 S 6/2009 Kim
 D595,151 S 6/2009 Kim
 D596,951 S 7/2009 Kim
 D596,952 S 7/2009 Kim
 7,621,393 B2 11/2009 Kim
 D606,883 S 12/2009 Kim
 D660,721 S 5/2012 Kim
 D666,379 S 9/2012 Kim
 D666,380 S * 9/2012 Kim D2/605
 D666,381 S * 9/2012 Kim D2/605
 D672,527 S 12/2012 Kim
 D688,030 S * 8/2013 Kim D2/605
 D688,440 S * 8/2013 Kim D2/605
 2005/0067443 A1 3/2005 Kim
 2007/0045131 A1 3/2007 Kim
 2009/0032434 A1 2/2009 Kim
 2010/0025269 A1 2/2010 Kim
 2011/0192869 A1 8/2011 Kim

OTHER PUBLICATIONS

U.S. Appl. No. 29/385,437, filed Feb. 14, 2011, Kim.
 U.S. Appl. No. 29/385,439, filed Feb. 14, 2011, Kim.
 U.S. Appl. No. 29/385,441, filed Feb. 14, 2011, Kim.

* cited by examiner

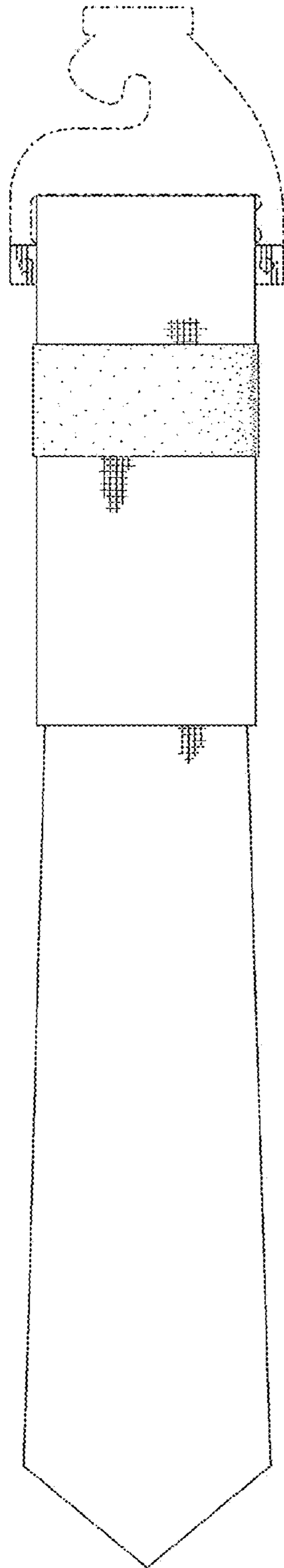


Fig. 1

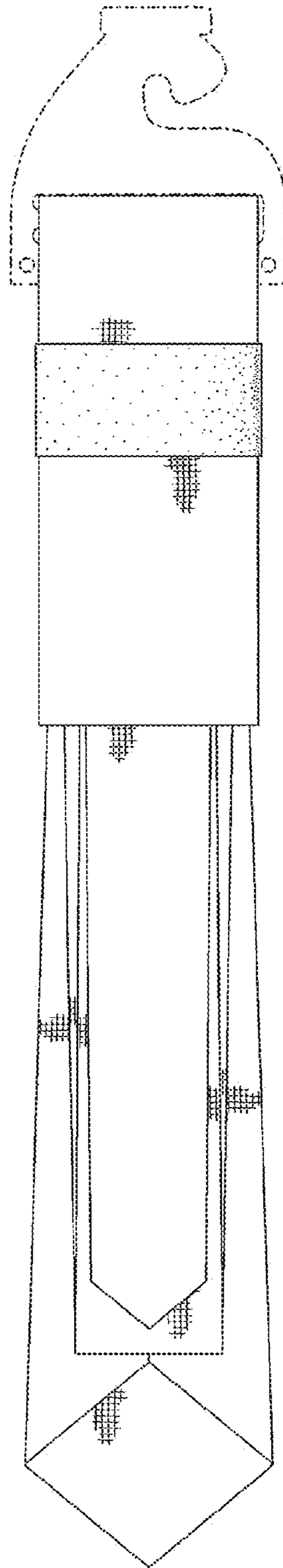


Fig. 2



Fig. 3