



US00D702913S

(12) **United States Design Patent**
Budde et al.

(10) **Patent No.:** **US D702,913 S**
(45) **Date of Patent:** **** Apr. 15, 2014**

(54) **FINANCIAL TRANSACTION MACHINE**

(75) Inventors: **William Budde**, Dublin, OH (US);
Giancarlo Miranda, Columbus, OH (US); **Joseph Bradley Nolan**, New Albany, OH (US); **Katherine Dill**, San Francisco, CA (US); **Alison Maiorano**, San Francisco, CA (US); **William Koehler**, San Francisco, CA (US); **Anthony Meredith**, San Francisco, CA (US); **Jonathan Rowell**, San Francisco, CA (US); **Howard Nuk**, San Francisco, CA (US); **David Scott**, Belmont, CA (US); **Tanya Khakbaz**, San Francisco, CA (US); **Charles Ambler**, San Francisco, CA (US); **Hanna Wickholm**, San Francisco, CA (US)

(73) Assignee: **JPMorgan Chase Bank, N.A.**, New York, NY (US)

(**) Term: **14 Years**

(21) Appl. No.: **29/432,411**

(22) Filed: **Sep. 14, 2012**

(51) **LOC (10) Cl.** **20-01**

(52) **U.S. Cl.**
USPC **D99/28**

(58) **Field of Classification Search**

CPC . G06Q 20/10; G06Q 20/108; G06Q 20/1085; G06Q 20/18; G07D 1/00; G07D 11/00; G07D 1/02; G07D 1/04; G07D 1/06; G07D 9/002; G07D 9/04; G07F 19/20; G07F 19/201; G07F 19/202; G07F 19/203; G07F 19/204; G07F 19/205; G07F 19/21; G07F 7/04; G07F 5/00; G07F 1/00; E05G 7/001; E05G 1/06; A63H 33/00; A63H 33/3005
USPC D99/28, 34, 35, 36, 43, 99; D14/300-302, 305, 307, 900-902; D18/3.1-3.3, 4.1-4.6, 12.1-12.3;

D21/324, 325, 329, 369, 370; 101/66; 109/1 R, 1 V, 2, 23, 24.1, 25, 58, 58.5, 109/66; 446/8-13; 705/16, 17, 18, 42, 43, 705/44, 45; 235/51, 379, 380, 381, 382, 235/382.5, 386; 206/0.8, 0.81, 0.815, 0.82, 206/0.83, 0.84

See application file for complete search history.

(56) **References Cited**

U.S. PATENT DOCUMENTS

D282,305 S 1/1986 Kusenberg
D283,746 S 5/1986 Kobayashi

(Continued)

OTHER PUBLICATIONS

U.S. Appl. No. 29/405,265, filed Oct. 31, 2011.

(Continued)

Primary Examiner — Elizabeth J Oswecki

(74) *Attorney, Agent, or Firm* — Hunton & Williams, LLP

(57) **CLAIM**

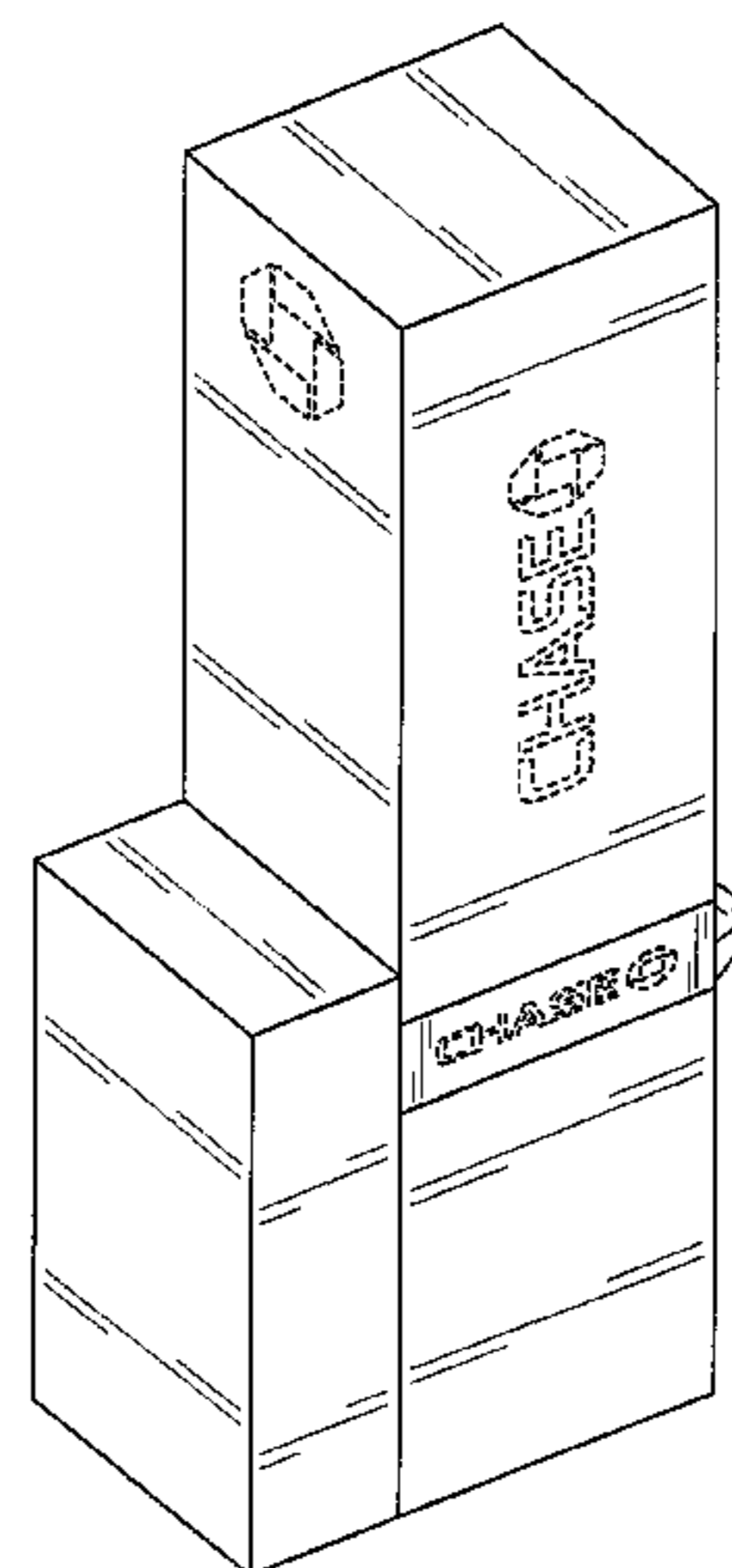
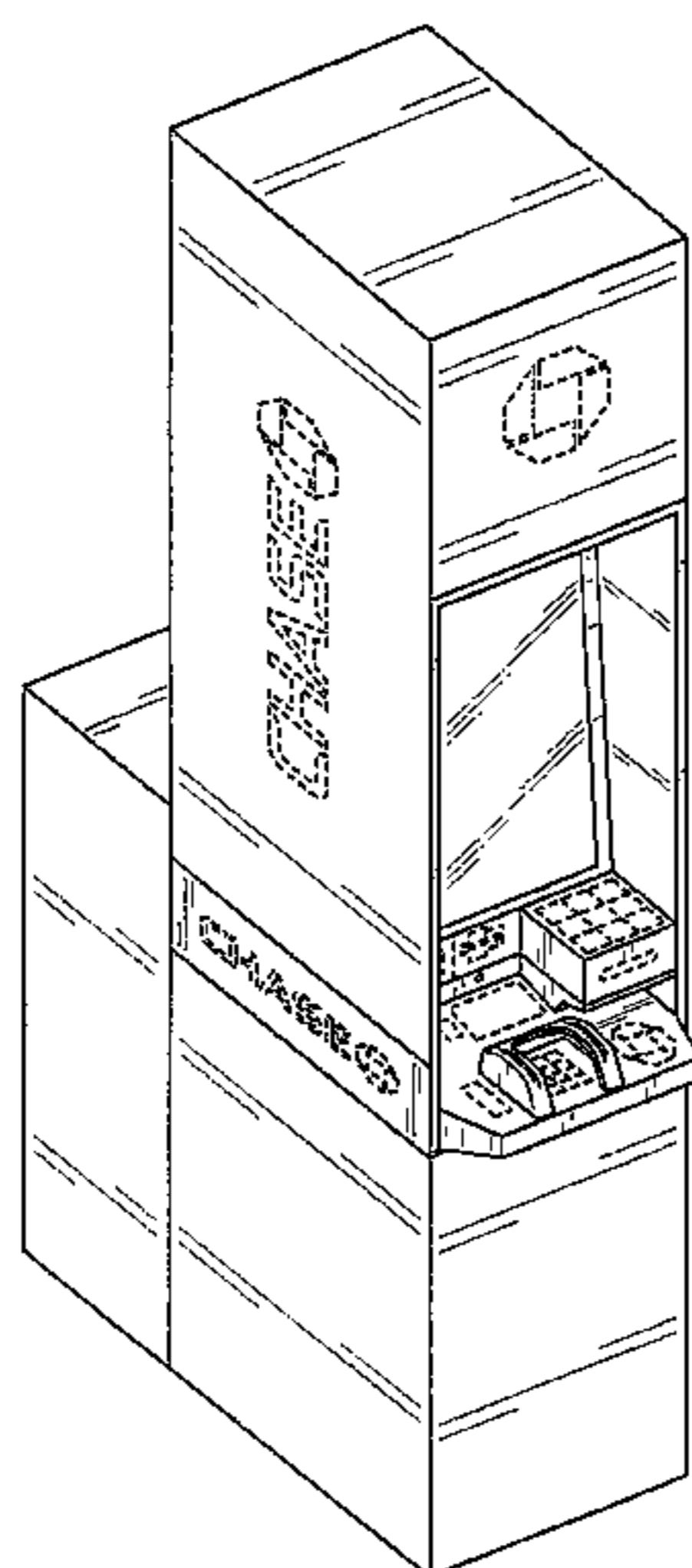
We claim the ornamental design for a financial transaction machine, as shown and described.

DESCRIPTION

FIG. 1 is a front perspective view of a financial transaction machine showing our new design; FIG. 2 is a front elevational view of FIG. 1; FIG. 3 is a back elevational view of FIG. 1; FIG. 4 is a left side elevational view of FIG. 1; FIG. 5 is a right side elevational view of FIG. 1; FIG. 6 is a top plan view of FIG. 1; FIG. 7 is a bottom plan view of FIG. 1; and, FIG. 8 is a rear perspective view of FIG. 1.

The broken lines in the drawings illustrate environmental structure on the article and form no part of the claimed design.

1 Claim, 6 Drawing Sheets



(56)

References Cited

U.S. PATENT DOCUMENTS

4,617,457 A 10/1986 Granzow et al.
 D289,215 S 4/1987 Prinzhorn
 D293,150 S 12/1987 Prinzhorn
 D308,670 S 6/1990 Hanson et al.
 D316,707 S 5/1991 Allgeier
 5,025,139 A 6/1991 Halliburton, Jr.
 D360,734 S 7/1995 Hall
 D360,735 S 7/1995 Hall
 D360,737 S 7/1995 Helbig, Jr.
 D360,739 S 7/1995 Hall
 5,482,139 A 1/1996 Rivalto
 5,513,117 A 4/1996 Small
 5,526,615 A 6/1996 Kaizu et al.
 D375,607 S 11/1996 Hall
 5,619,558 A 4/1997 Jheeta
 5,705,798 A 1/1998 Tarbox
 5,721,781 A 2/1998 Deo et al.
 D405,833 S 2/1999 Mussett
 5,897,625 A 4/1999 Gustin et al.
 5,915,246 A 6/1999 Patterson et al.
 6,006,988 A 12/1999 Behrmann et al.
 6,045,039 A 4/2000 Stinson et al.
 D425,875 S 5/2000 Wilson
 D432,755 S 10/2000 Perkitny et al.
 6,149,046 A 11/2000 Ho et al.
 D437,468 S 2/2001 Fukutake et al.
 D456,587 S 4/2002 Kit et al.
 6,536,663 B1 3/2003 Lozier et al.
 6,554,184 B1 4/2003 Amos
 6,554,185 B1 4/2003 Montross et al.
 D481,515 S 10/2003 Magee et al.
 D492,080 S 6/2004 Magee et al.
 6,796,490 B1 9/2004 Drummond et al.
 6,874,612 B1 4/2005 Uland
 7,039,600 B1 5/2006 Meek et al.
 D558,425 S 12/2007 Dias

7,379,896 B1 5/2008 Meek et al.
 D582,125 S 12/2008 Kang et al.
 D585,943 S 2/2009 Pymm et al.
 7,533,802 B1 * 5/2009 McGinley et al. 235/379
 D596,373 S 7/2009 Kang et al.
 D596,374 S 7/2009 Kang et al.
 D597,275 S 7/2009 Lee
 D615,274 S 5/2010 Kim et al.
 7,726,558 B1 * 6/2010 Lute et al. 235/379
 D625,305 S 10/2010 Bleck et al.
 D625,485 S 10/2010 Lee et al.
 D629,585 S 12/2010 Bleck et al.
 D639,800 S 6/2011 Magruder
 7,980,460 B1 * 7/2011 Harroff et al. 235/379
 D645,223 S 9/2011 Bleck et al.
 D646,269 S 10/2011 Crick et al.
 8,052,051 B1 * 11/2011 Lute et al. 235/379
 D651,784 S 1/2012 Rohan et al.
 8,181,857 B1 * 5/2012 Lute et al. 235/379
 D665,555 S 8/2012 Lee et al.
 D674,985 S 1/2013 Lee
 8,365,868 B2 * 2/2013 Johnson et al. 186/52
 D677,714 S 3/2013 Helgesson et al.
 D678,653 S 3/2013 Budde et al.
 D680,156 S * 4/2013 Hernandez et al. D99/28
 D682,504 S 5/2013 Lee et al.
 D690,074 S * 9/2013 Budde et al. D99/28
 D693,983 S * 11/2013 Budde et al. D99/28
 D693,984 S * 11/2013 Budde et al. D99/28
 8,573,484 B1 * 11/2013 Irudayam et al. 235/379
 2002/0124271 A1 9/2002 Herrmann et al.
 2002/0133461 A1 9/2002 Ramachandran
 2003/0040959 A1 2/2003 Fei et al.

OTHER PUBLICATIONS

U.S. Appl. No. 29/405,268, filed Oct. 31, 2011.
 U.S. Appl. No. 29/405,615, filed Nov. 3, 2011.

* cited by examiner

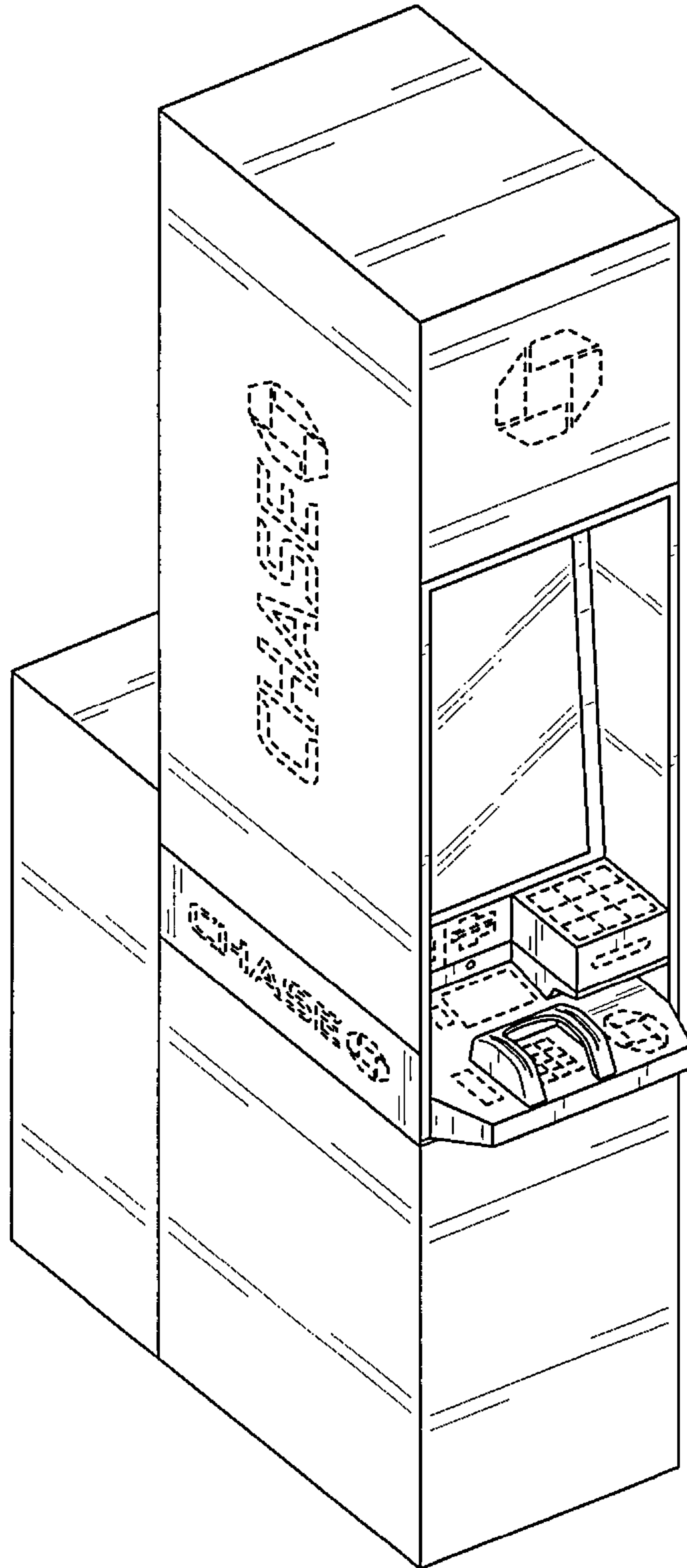


FIG. 1

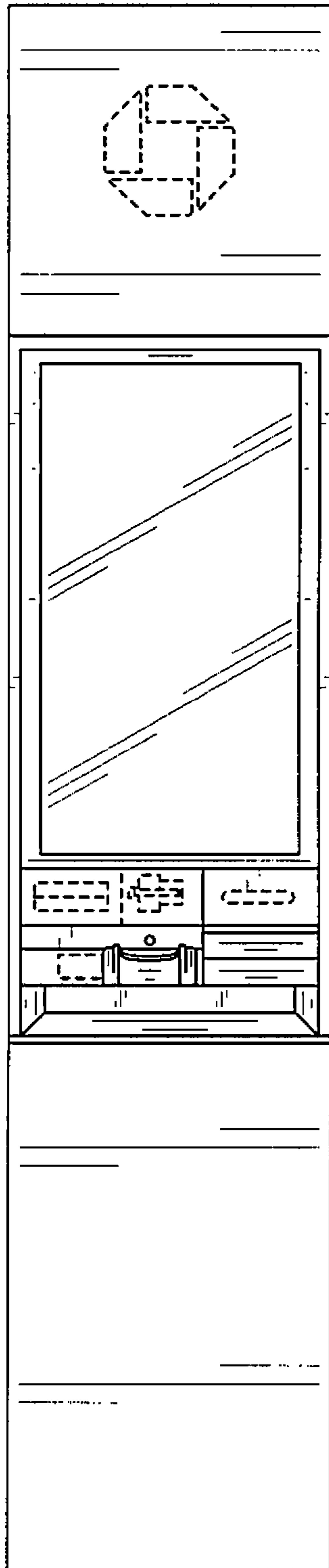


FIG. 2

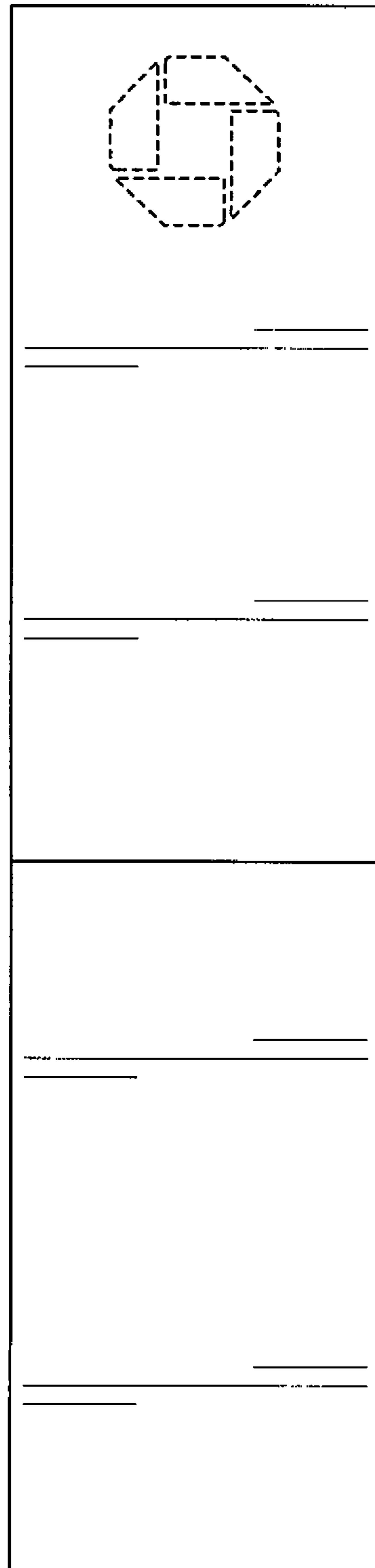


FIG. 3

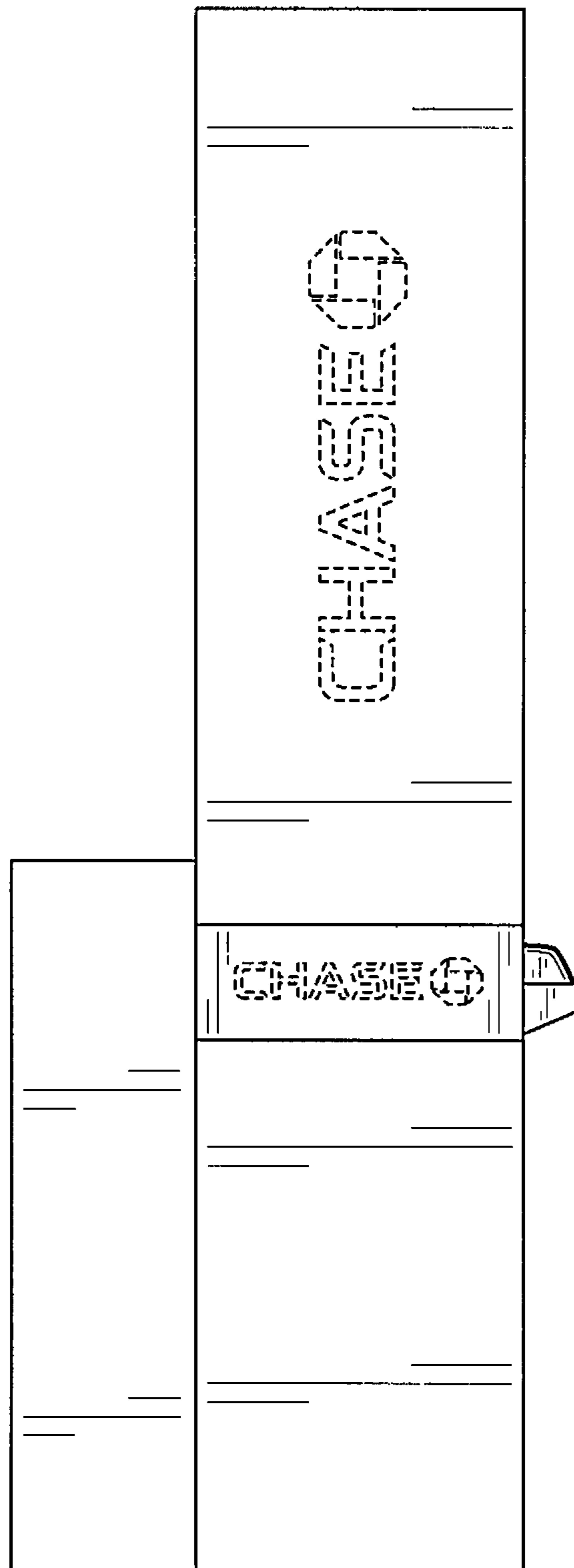


FIG. 4

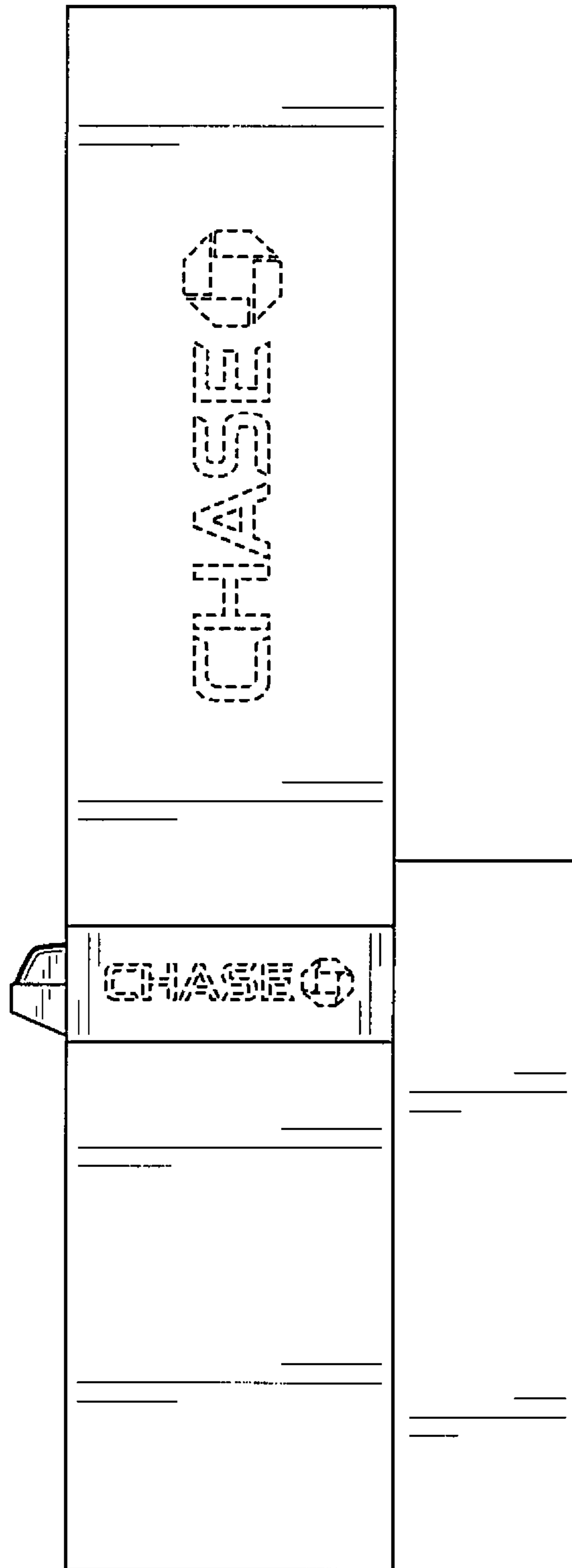


FIG. 5

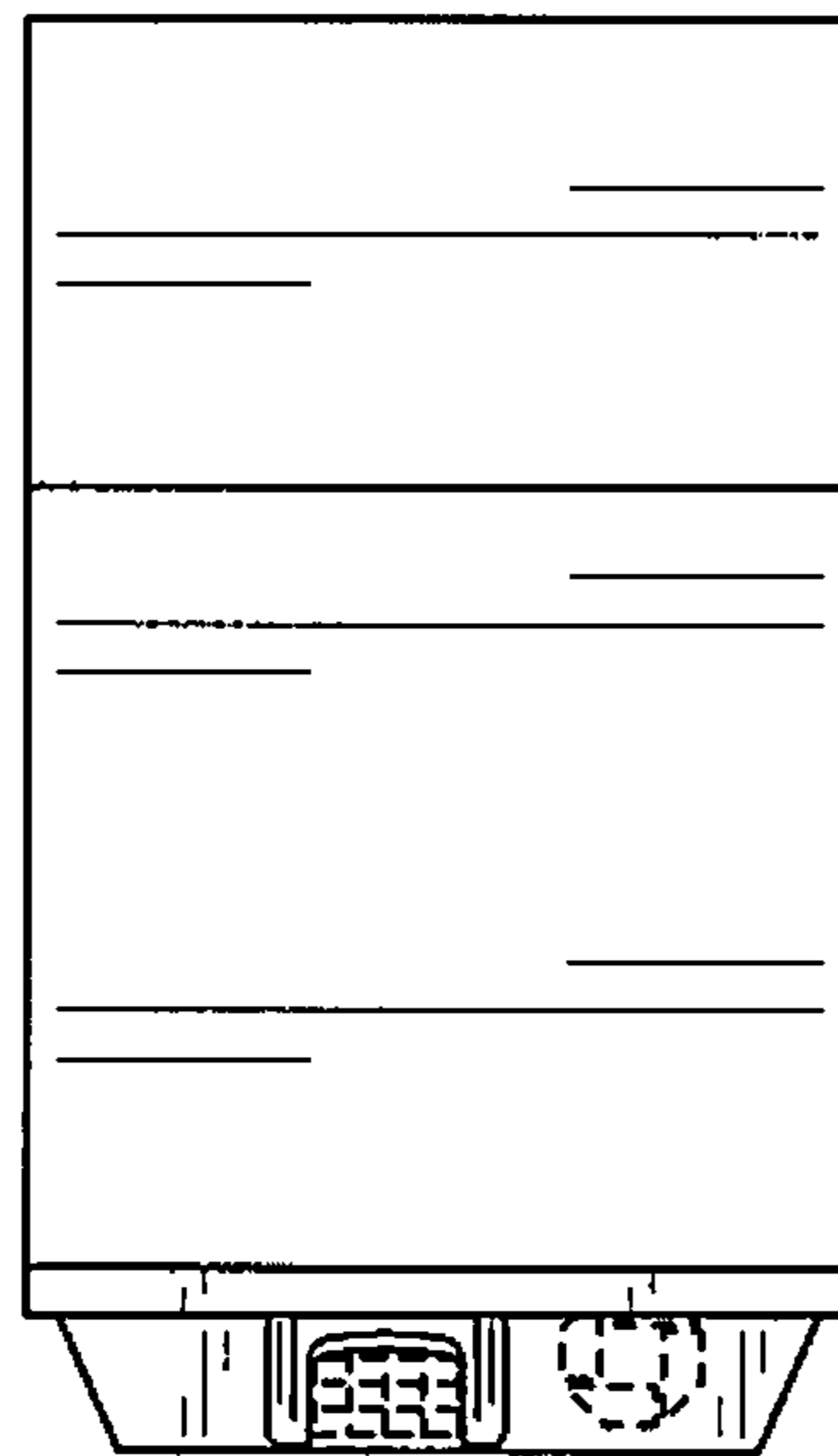


FIG. 6

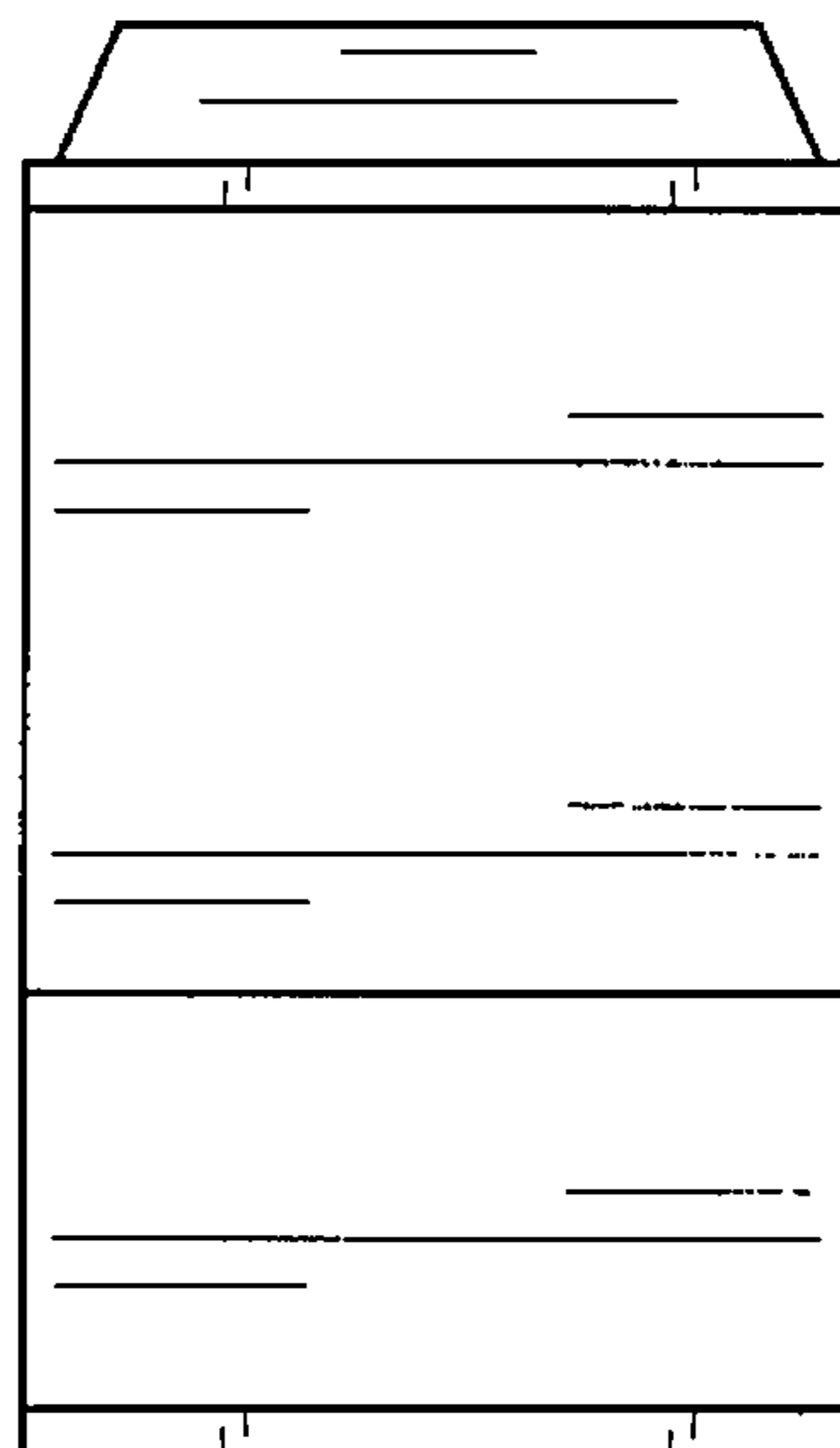


FIG. 7

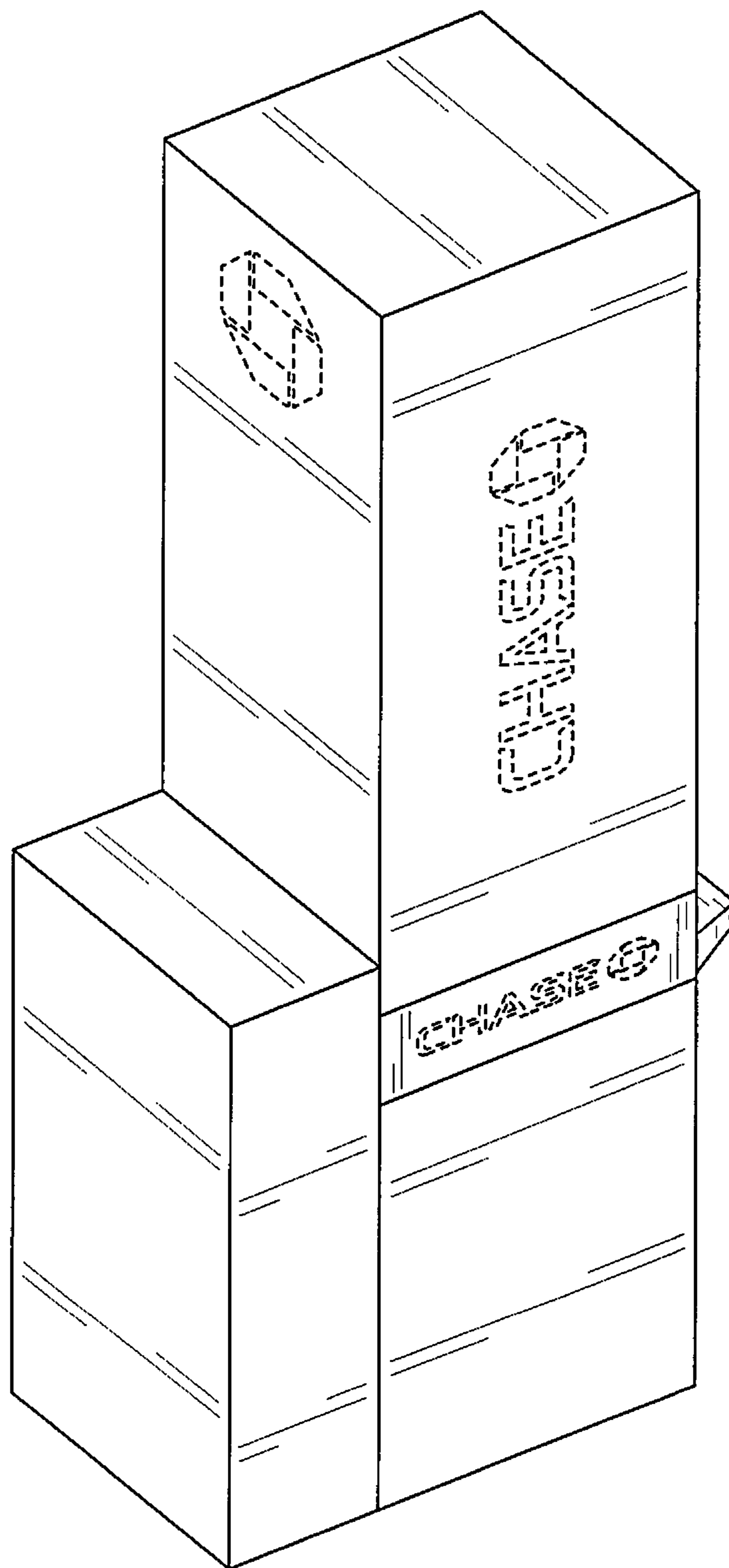


FIG. 8