



US00D702911S

(12) **United States Design Patent**
Roshell

(10) **Patent No.:** **US D702,911 S**
(45) **Date of Patent:** **** Apr. 15, 2014**

(54) **WALL LIFT**

(71) Applicant: **Timothy J. Roshell**, Cadott, WI (US)

(72) Inventor: **Timothy J. Roshell**, Cadott, WI (US)

(**) Term: **14 Years**

(21) Appl. No.: **29/442,368**

(22) Filed: **Feb. 15, 2013**

(51) **LOC (10) Cl.** **12-05**

(52) **U.S. Cl.**
USPC **D34/28**

(58) **Field of Classification Search**
USPC D34/32, 28; 254/93 R, 8 B, 2 B, 329,
254/332, 1, 10 R, 8 R, 9 C, 10 C, 10 B, 19 B,
254/133 R, 134; 52/127.2; 187/243, 242,
187/244, 262; 414/10, 11, 800
See application file for complete search history.

(56) **References Cited**

U.S. PATENT DOCUMENTS

2,815,251	A	12/1957	Stone	
2,947,513	A *	8/1960	Nolden et al.	254/2 B
D306,368	S *	2/1990	Daugherty	D34/28
4,987,976	A *	1/1991	Daugherty	187/243
D331,994	S *	12/1992	Kinn	D34/34
5,322,404	A	6/1994	Keller	

5,441,379	A	8/1995	Gilbert, Jr.	
5,833,430	A	11/1998	Reynolds	
5,911,408	A *	6/1999	Berends et al.	254/2 B
6,000,898	A	12/1999	Sharp	
D420,482	S *	2/2000	Hultqvist et al.	D34/28
6,390,450	B1 *	5/2002	Bressner et al.	254/4 B
6,080,909	A1	7/2004	Dellinger	
7,021,606	B2	4/2006	Raycraft	
D632,450	S *	2/2011	Agoncillo et al.	D34/28
D688,021	S *	8/2013	Gann et al.	D34/28

* cited by examiner

Primary Examiner — Cynthia Ramirez

(74) *Attorney, Agent, or Firm* — Paul R. Martin

(57) **CLAIM**
The ornamental design for a wall lift, as shown and described.

DESCRIPTION

FIG. 1 is perspective view of the wall lift of my new design.
FIG. 2 is a front elevational view thereof.
FIG. 3 is a rear elevational view thereof.
FIG. 4 is a side elevational view thereof. The opposite side
elevational view is a mirror image thereof.
FIG. 5 is a bottom plan view thereof; and,
FIG. 6 is a top plan view thereof.

1 Claim, 4 Drawing Sheets

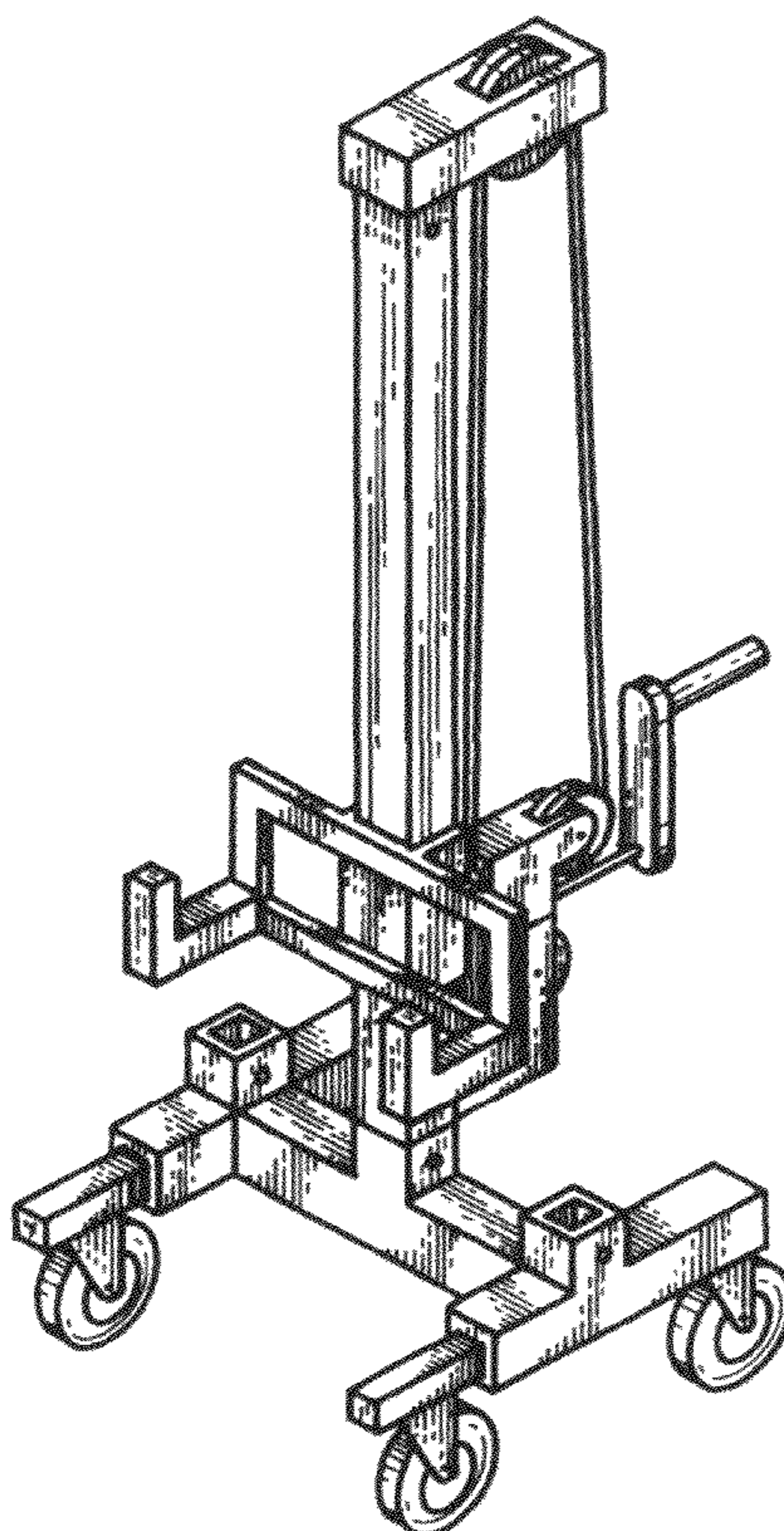


Fig. II

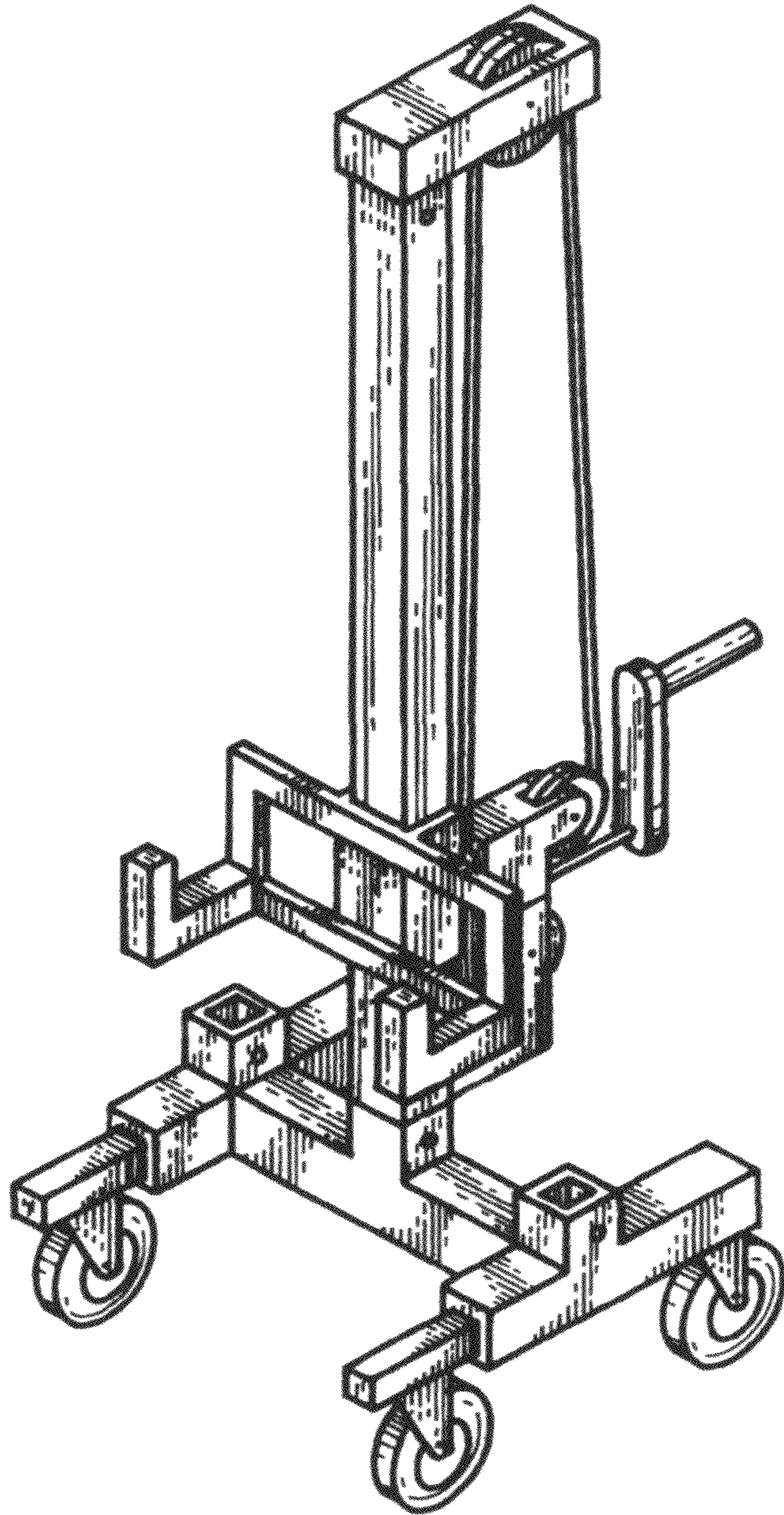


Fig. 2

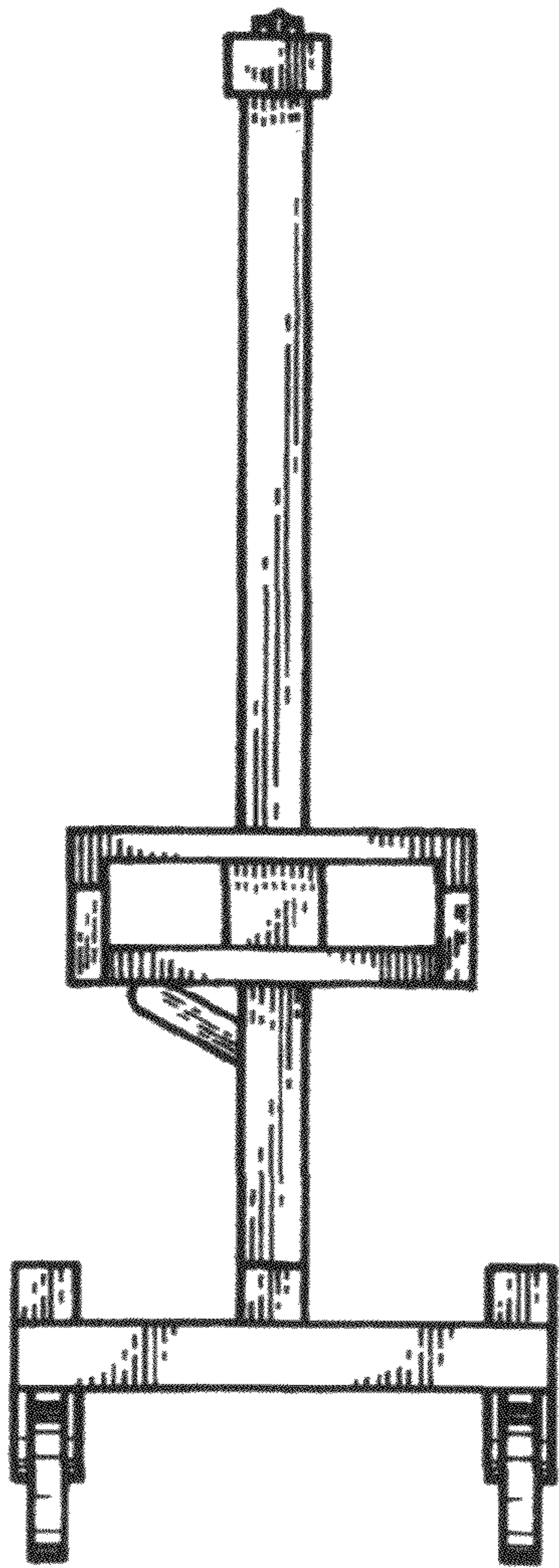


Fig. 3

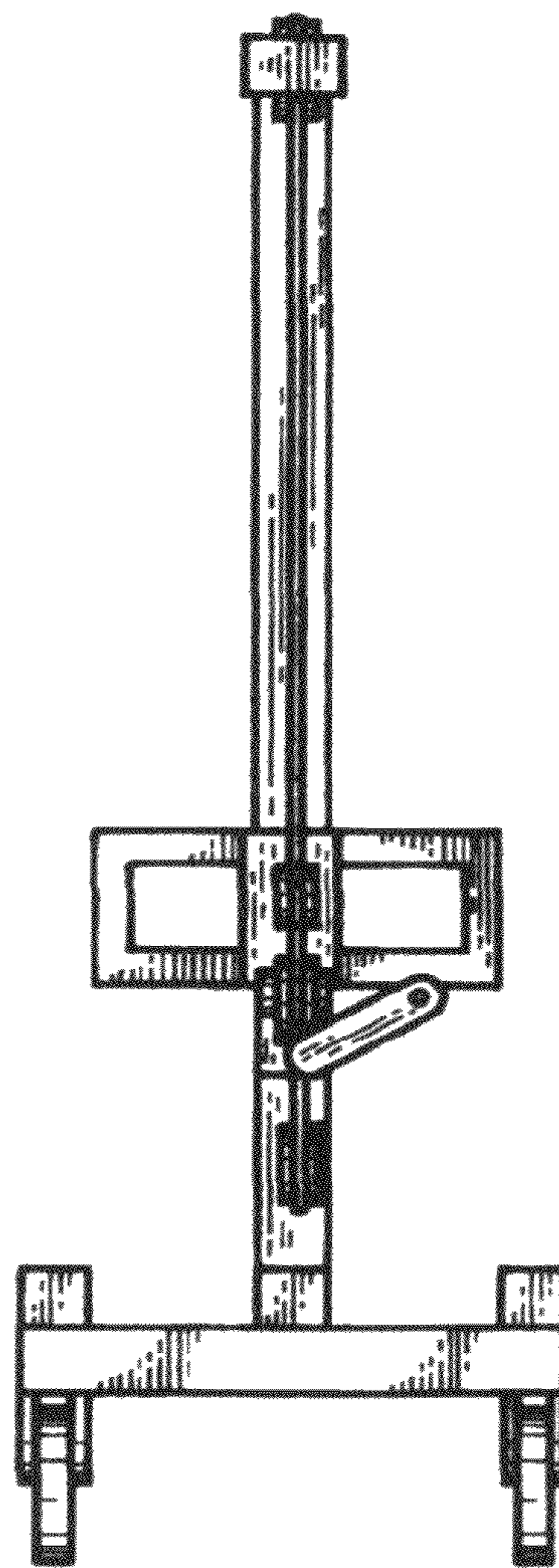


Fig. 4

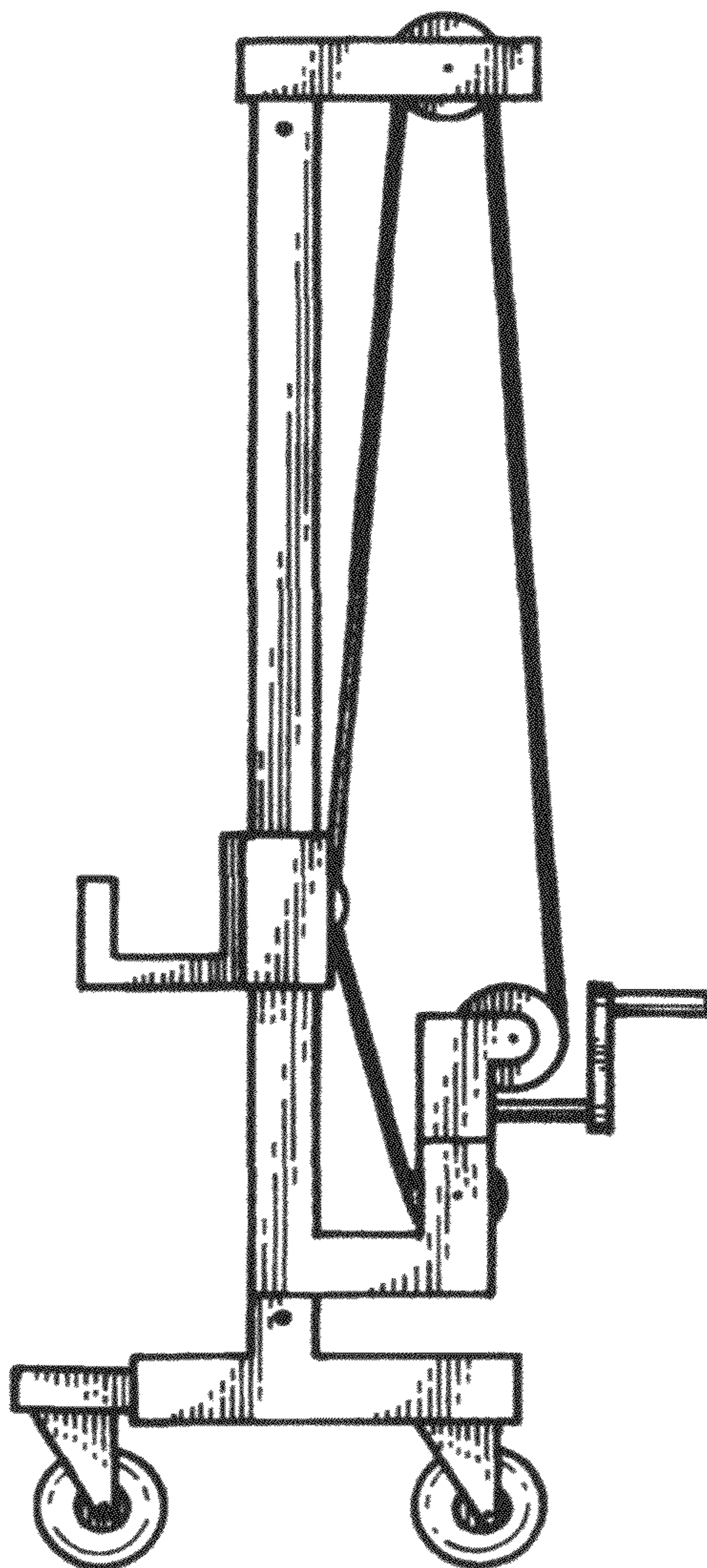


Fig. 5

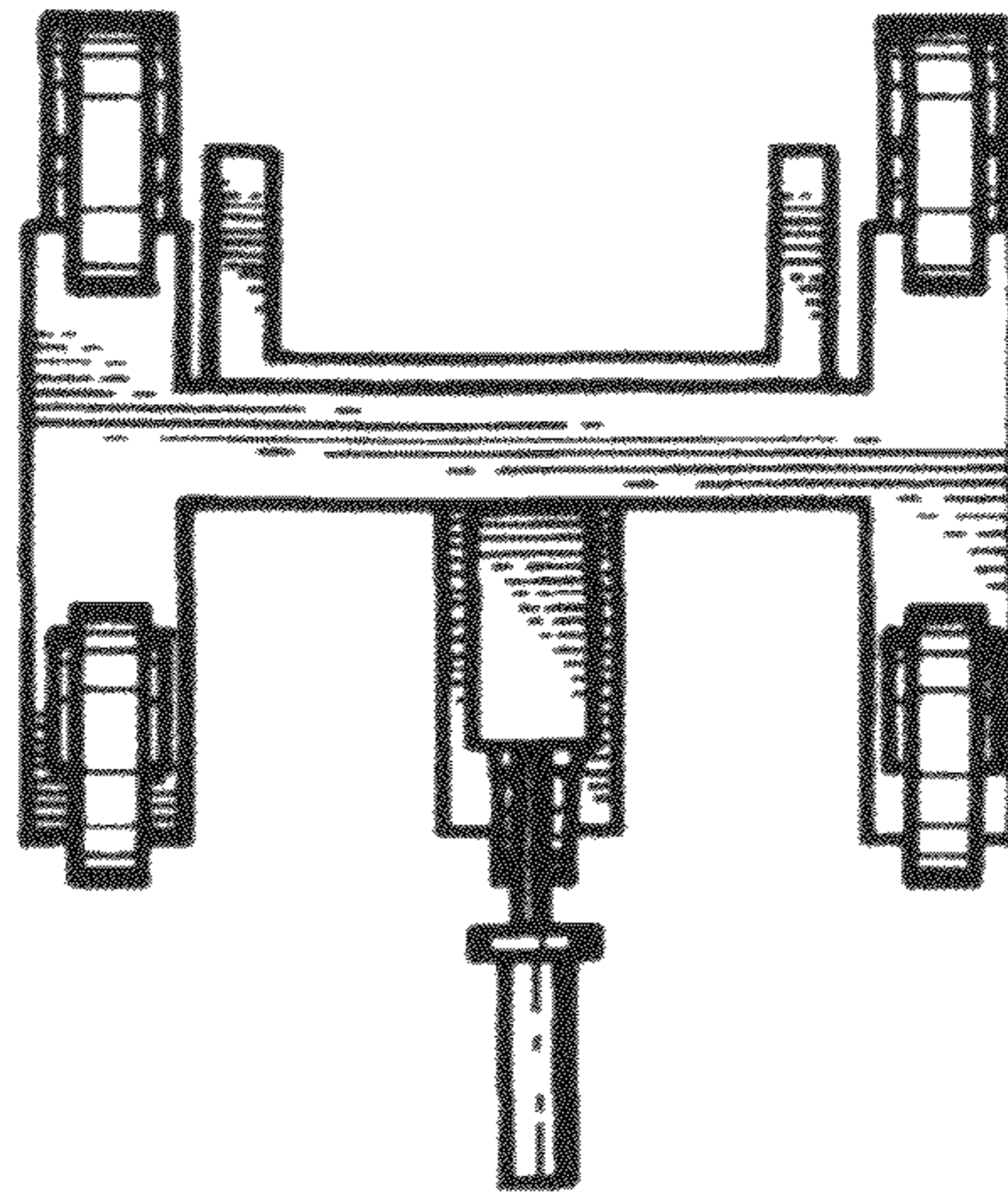


Fig. 6

