



US00D702910S

(12) **United States Design Patent**
Long et al.

(10) **Patent No.:** **US D702,910 S**
(45) **Date of Patent:** **** Apr. 15, 2014**

(54) **CARRYING CART ACCOMMODATION FOR SPECIAL NEEDS RIDER**

(75) Inventors: **Drew Ann Long**, Alabaster, AL (US);
David Long, Alabaster, AL (US)

(73) Assignee: **Parent Solution Group, LLC**,
Alabaster, AL (US)

(**) Term: **14 Years**

(21) Appl. No.: **29/424,284**

(22) Filed: **Jun. 11, 2012**

Related U.S. Application Data

(63) Continuation-in-part of application No. 29/386,703,
filed on Mar. 3, 2011, now Pat. No. Des. 671,292.

(51) **LOC (10) Cl.** **12-02**

(52) **U.S. Cl.**
USPC **D34/27**

(58) **Field of Classification Search**
USPC D34/12-27; 280/33.991, 33.992,
280/33.993, 33.997, 47.38, 47.35, 47.4
See application file for complete search history.

(56) **References Cited**

U.S. PATENT DOCUMENTS

3,170,709 A	2/1965	Shackel
4,116,456 A	9/1978	Stover
4,381,870 A	5/1983	Muellner
D294,419 S	2/1988	Rehrig
4,733,877 A	3/1988	Pastien
D343,257 S	1/1994	DiFloria
5,641,200 A	6/1997	Howell
5,823,548 A	10/1998	Reiland
5,882,021 A	3/1999	Reiland
5,918,891 A	7/1999	Russell
5,961,133 A	10/1999	Perry
6,022,031 A	2/2000	Reiland
6,237,924 B1	5/2001	Reiland

6,364,326 B1	4/2002	Reiland
6,572,122 B2	6/2003	Johnson
6,761,364 B2	7/2004	Murar et al.
7,063,337 B2	6/2006	Russell
D549,919 S	8/2007	Ash et al.
7,287,764 B2	10/2007	Russell
D556,413 S	11/2007	Splain et al.

(Continued)

Primary Examiner — Cynthia Ramirez

(74) *Attorney, Agent, or Firm* — Jeremy A. Smith; Nathan W. Johnson; Bradley Arant Boult Cummings LLP

(57) **CLAIM**

The ornamental design for a carrying cart accommodation for special needs rider, as shown and described.

DESCRIPTION

FIG. 1 shows a front perspective view of one embodiment of the cart in accordance with the new design with the handles in the closed position.

FIG. 2 shows a rear perspective view of the embodiment of FIG. 1 with the handles in the closed position.

FIG. 3 shows a side view of the embodiment of FIG. 1 with the handles in the closed position.

FIG. 4 shows an alternate side view of the embodiment of FIG. 1 with the handles in the closed position.

FIG. 5 shows a front view of the embodiment of FIG. 1 with the handle in the closed position.

FIG. 6 shows a rear view of the embodiment of FIG. 1 with the handles in the closed position.

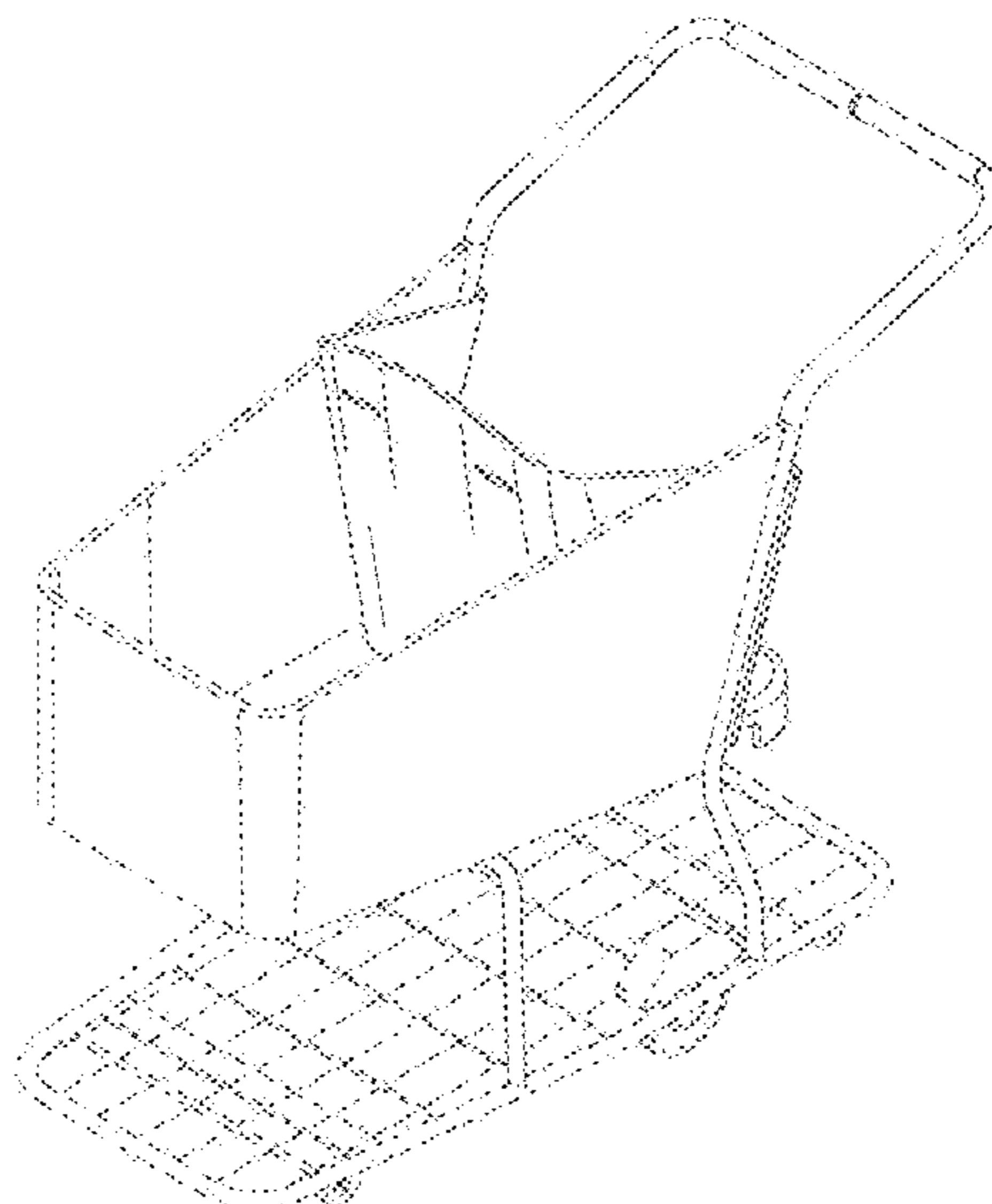
FIG. 7 shows a top view of the embodiment of FIG. 1 with the handles in the closed position.

FIG. 8 shows a front perspective view of the embodiment of FIG. 1 with the handles in the open position.

FIG. 9 shows a rear perspective view of the embodiment of FIG. 1 with the handles in the open position; and,

FIG. 10 shows a top view of the embodiment of FIG. 1 with the handles in the open position.

1 Claim, 8 Drawing Sheets



US D702,910 S

Page 2

(56)

References Cited

U.S. PATENT DOCUMENTS

D564,172 S 3/2008 Steinhobel

7,350,788 B2 4/2008 Booker

D671,292 S * 11/2012 Long et al. D34/27

2002/0093179 A1 7/2002 McKelvey

2003/0116933 A1 6/2003 Nadeau et al.

2005/0218613 A1 10/2005 Giampavolo et al.

2011/0304110 A1 12/2011 Long

* cited by examiner

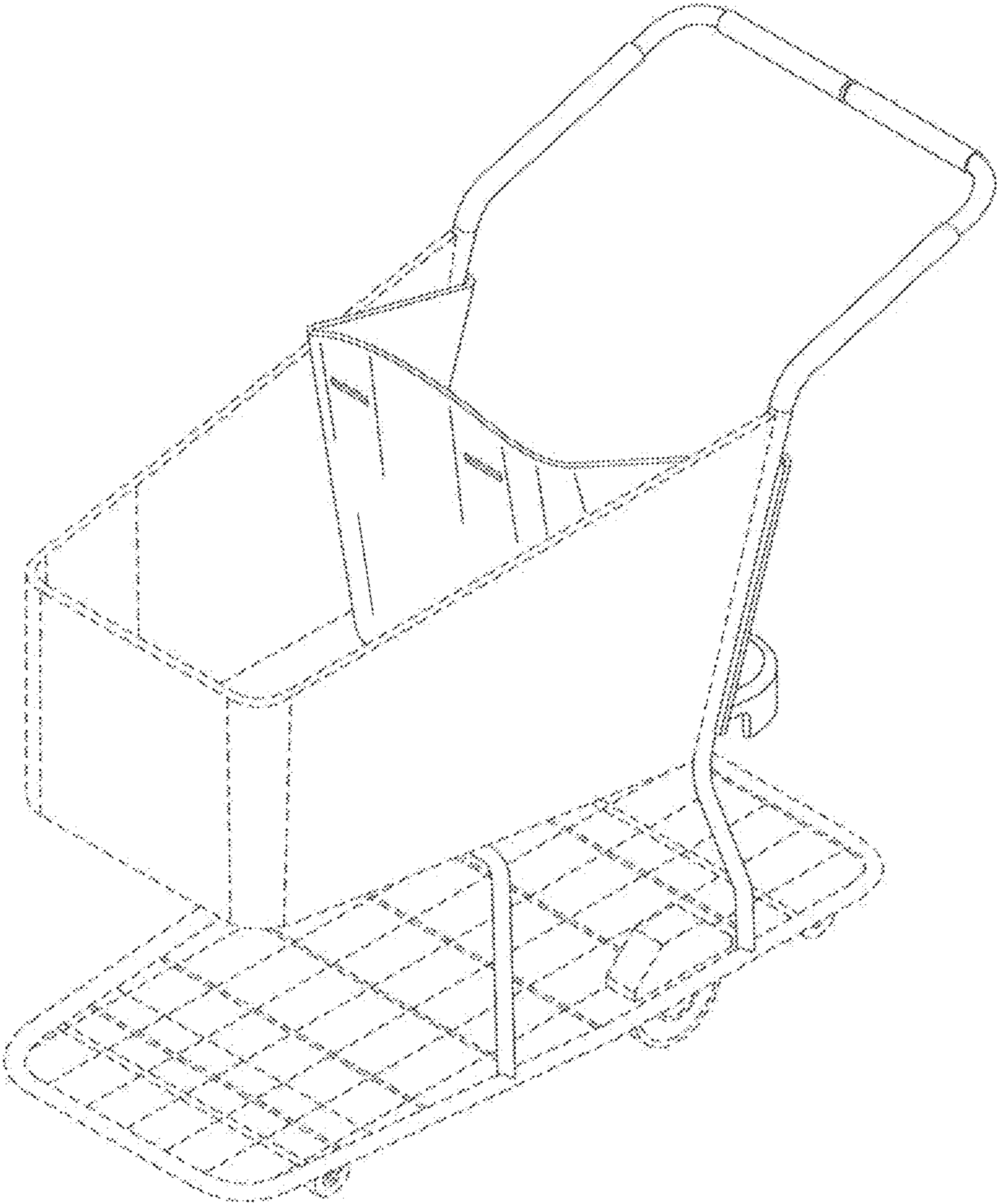


FIG. 1

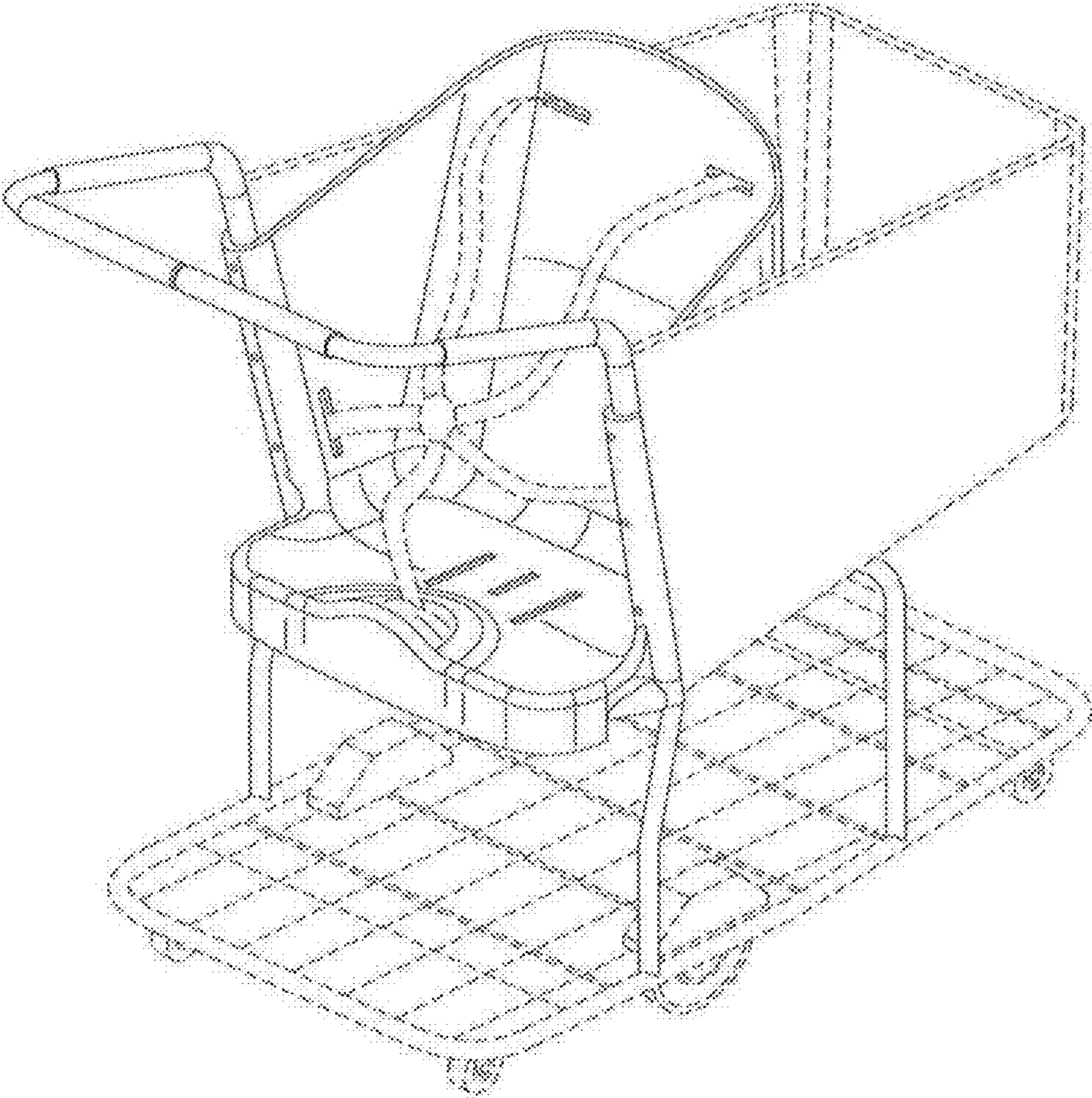


FIG. 2

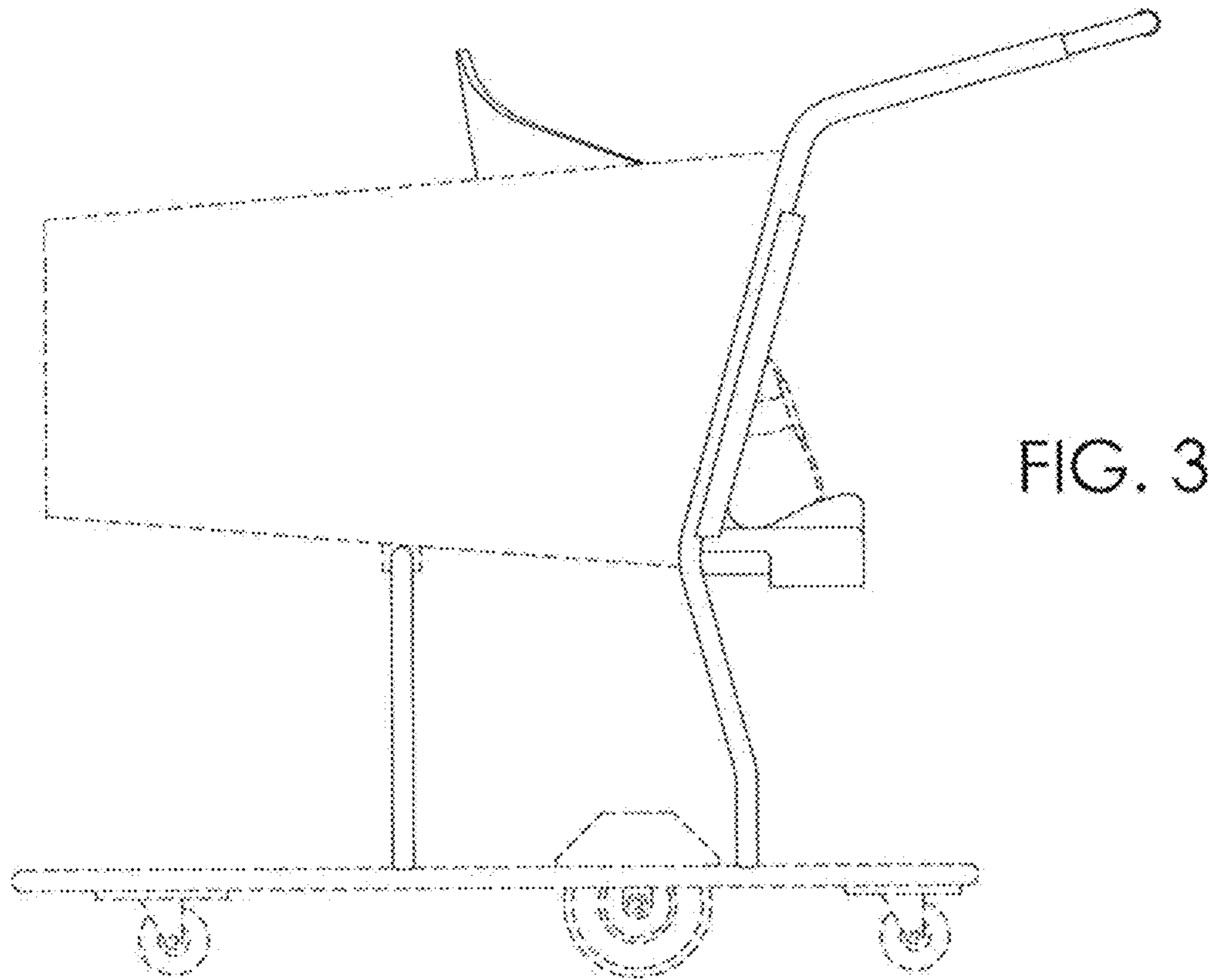


FIG. 3

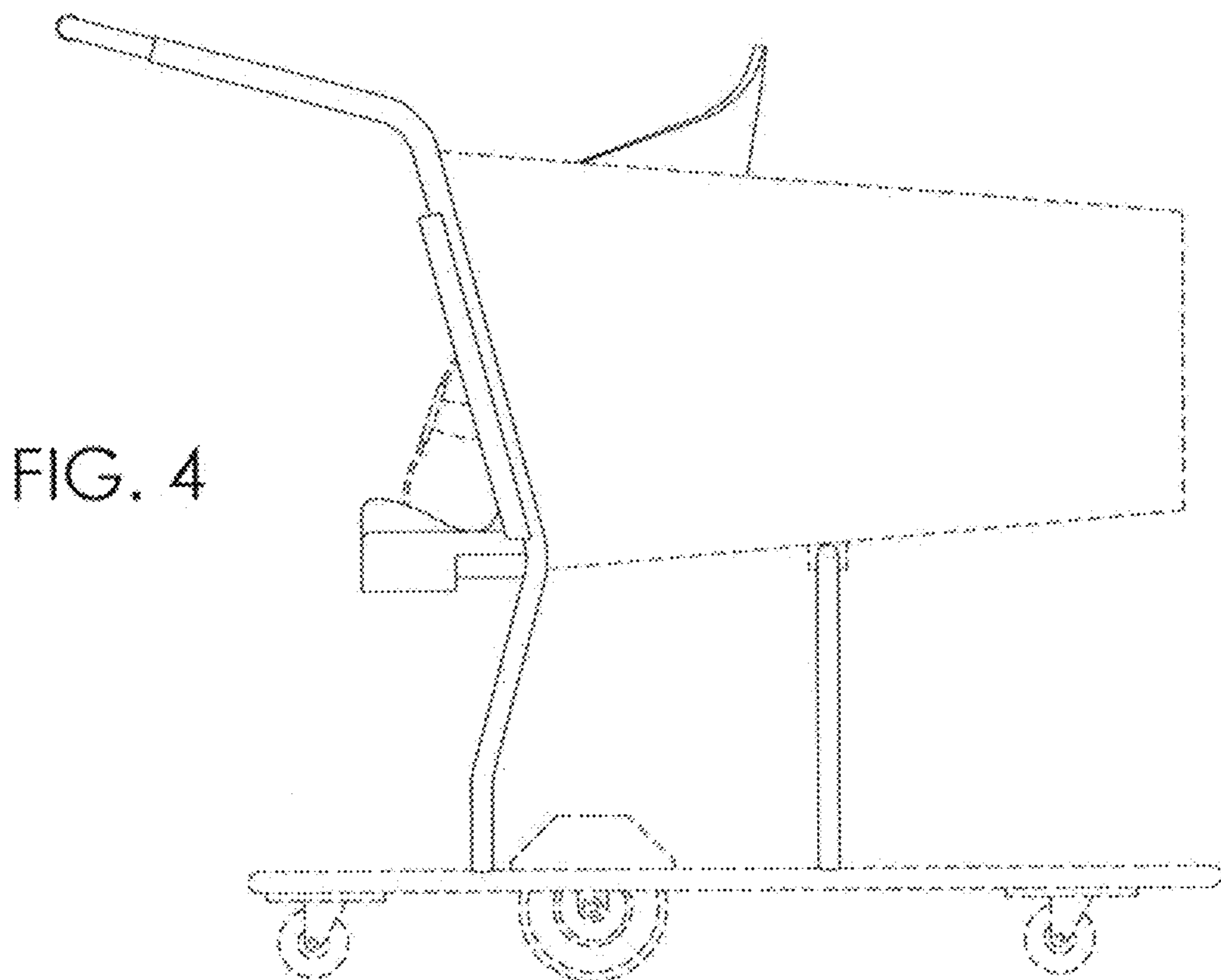


FIG. 4

FIG. 5

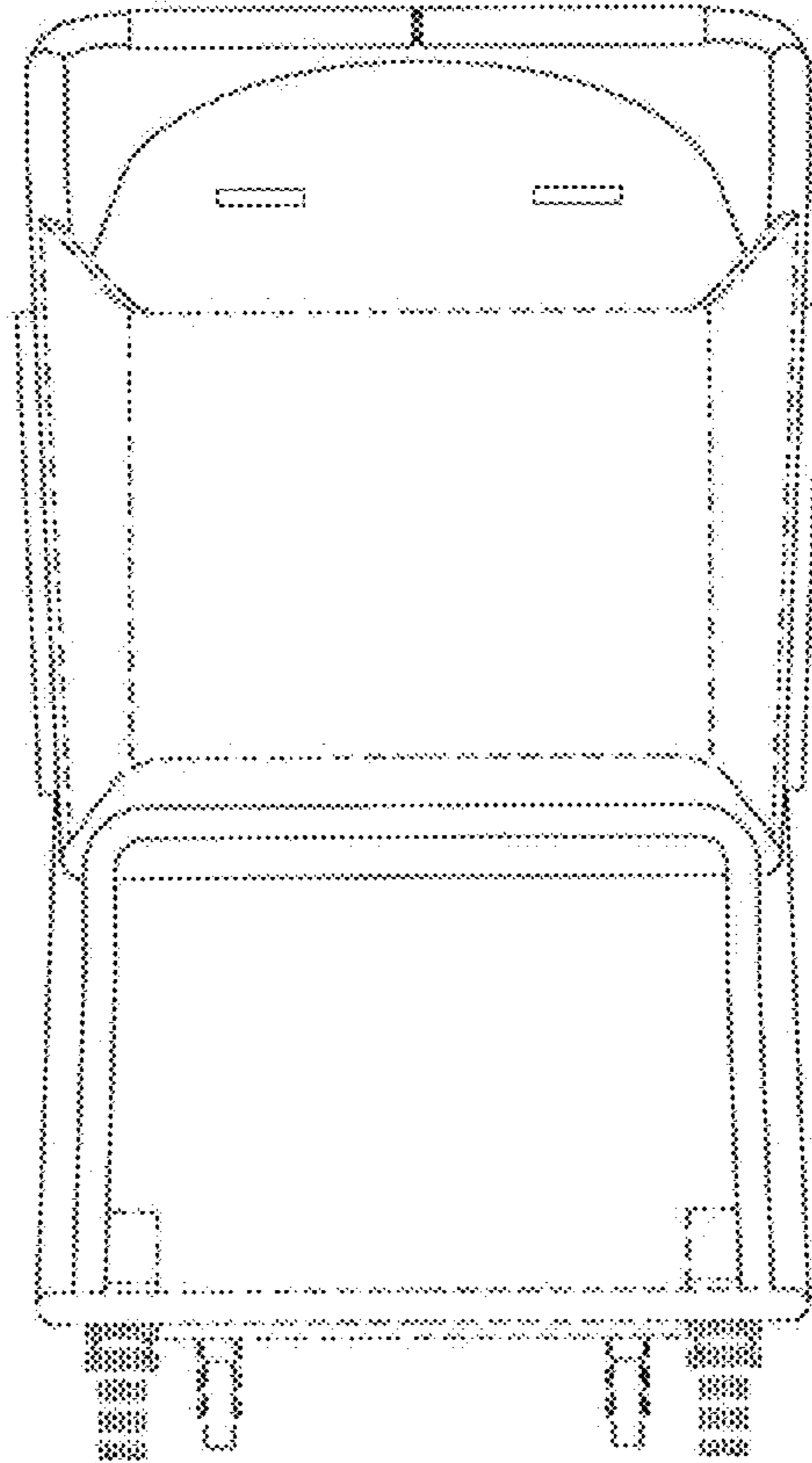
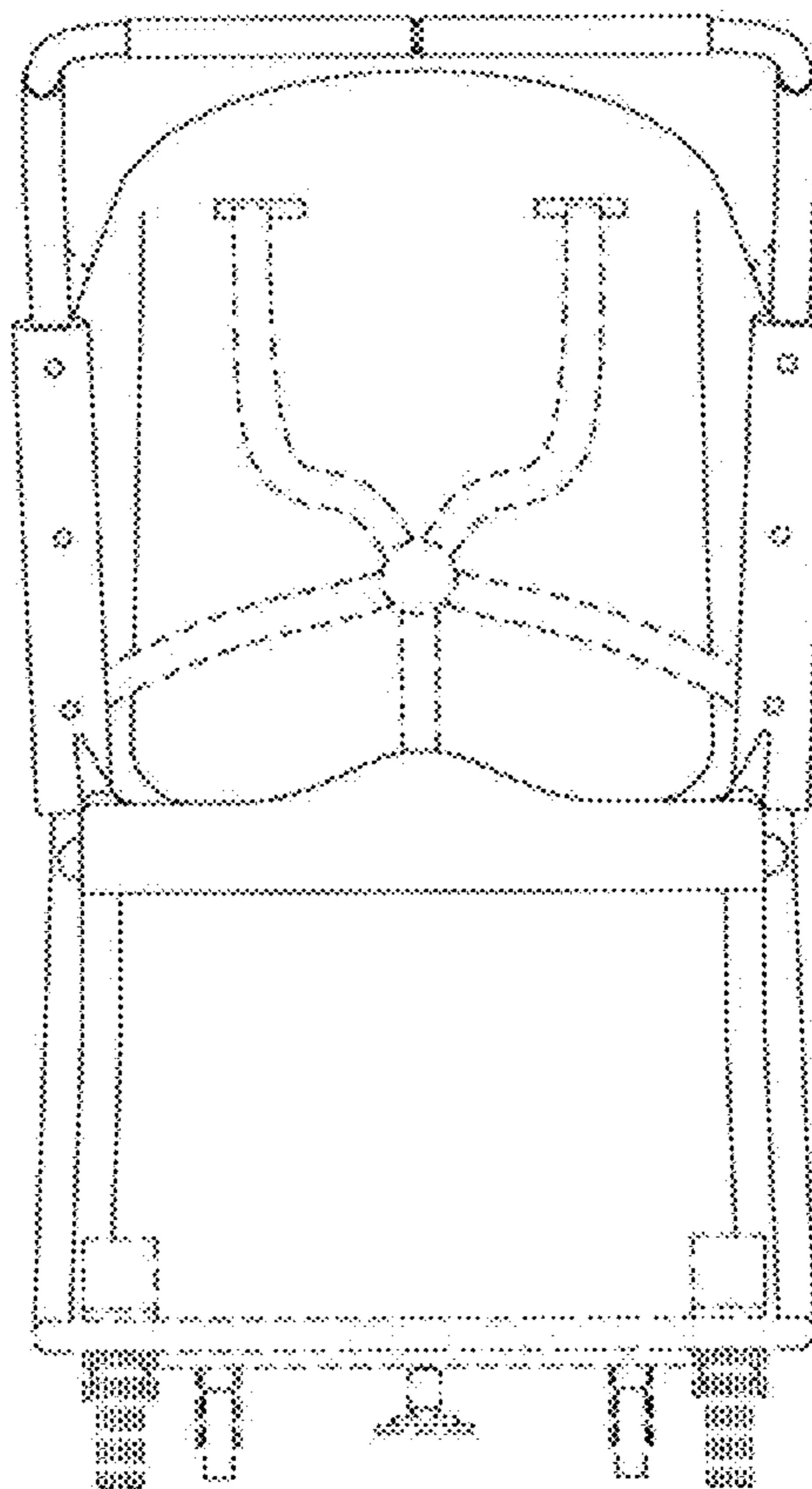


FIG. 6



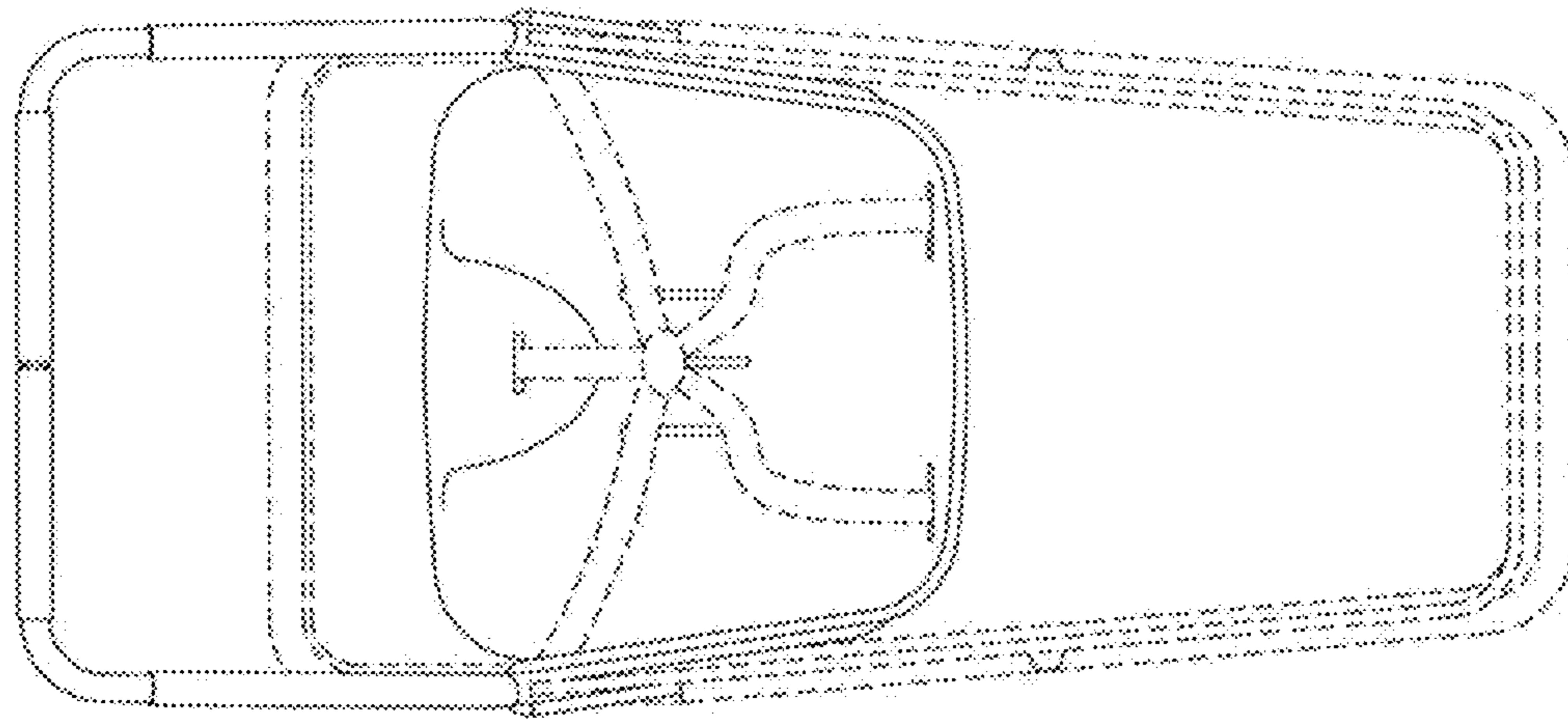


FIG. 7

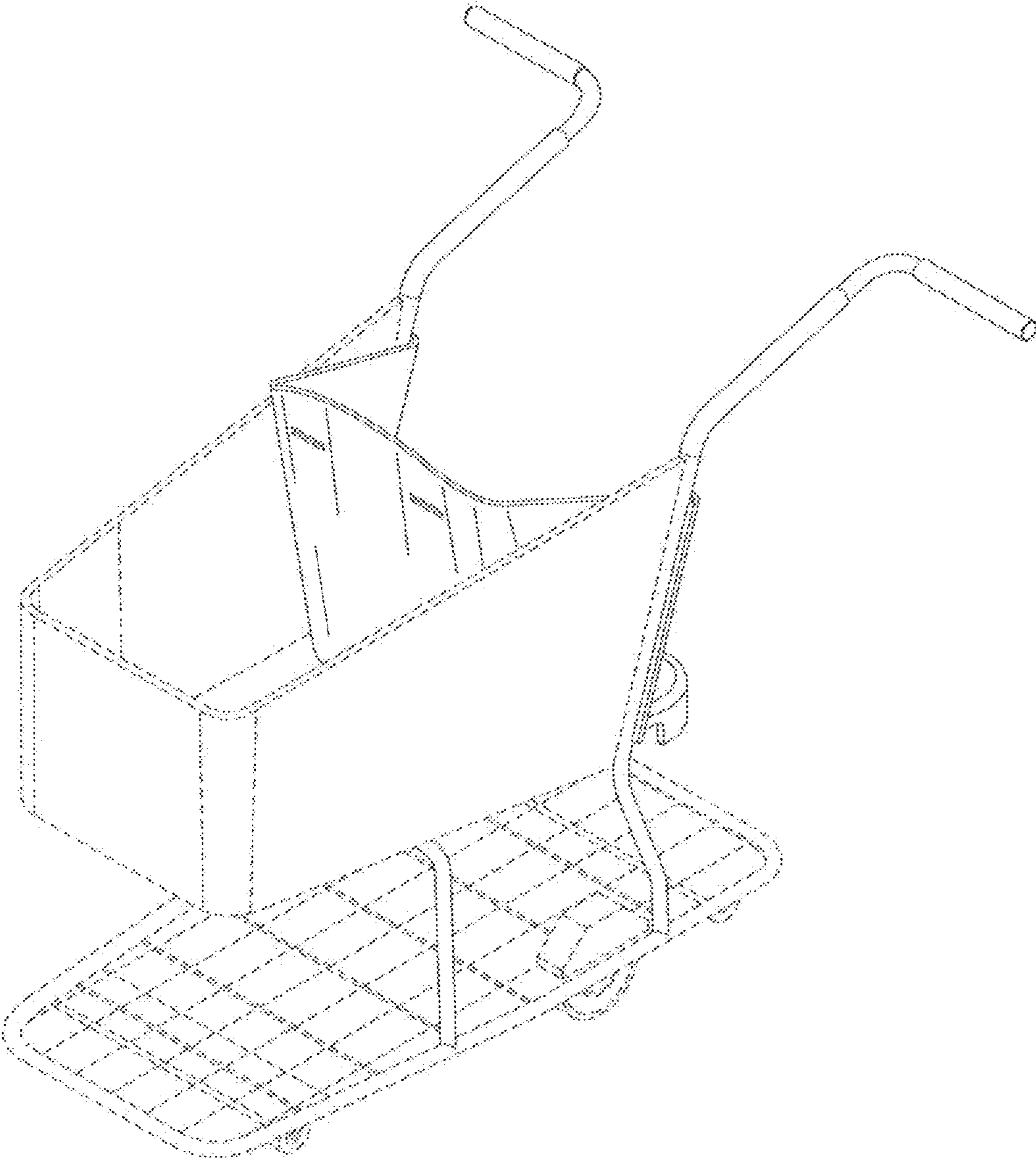


FIG. 8

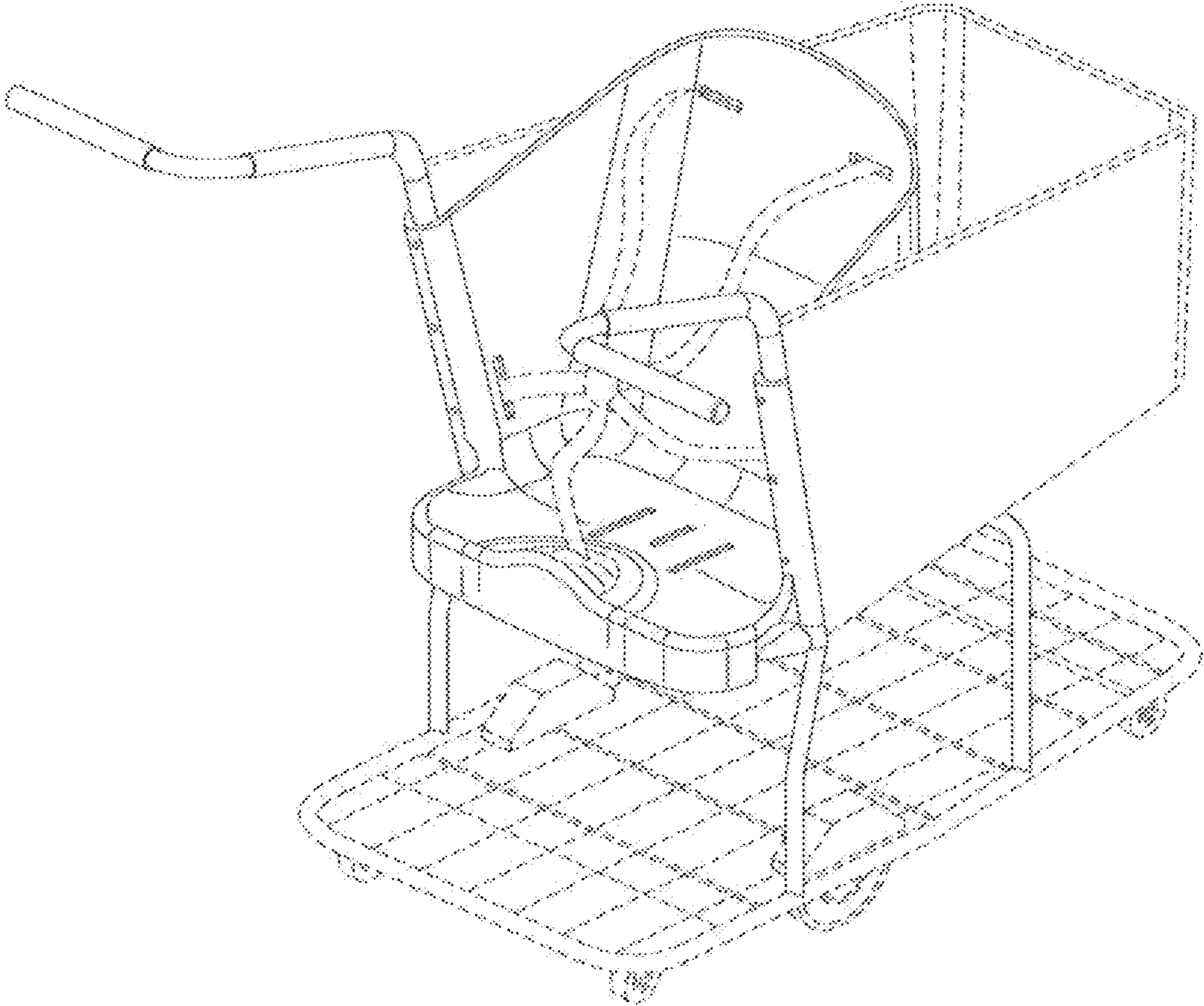


FIG. 9

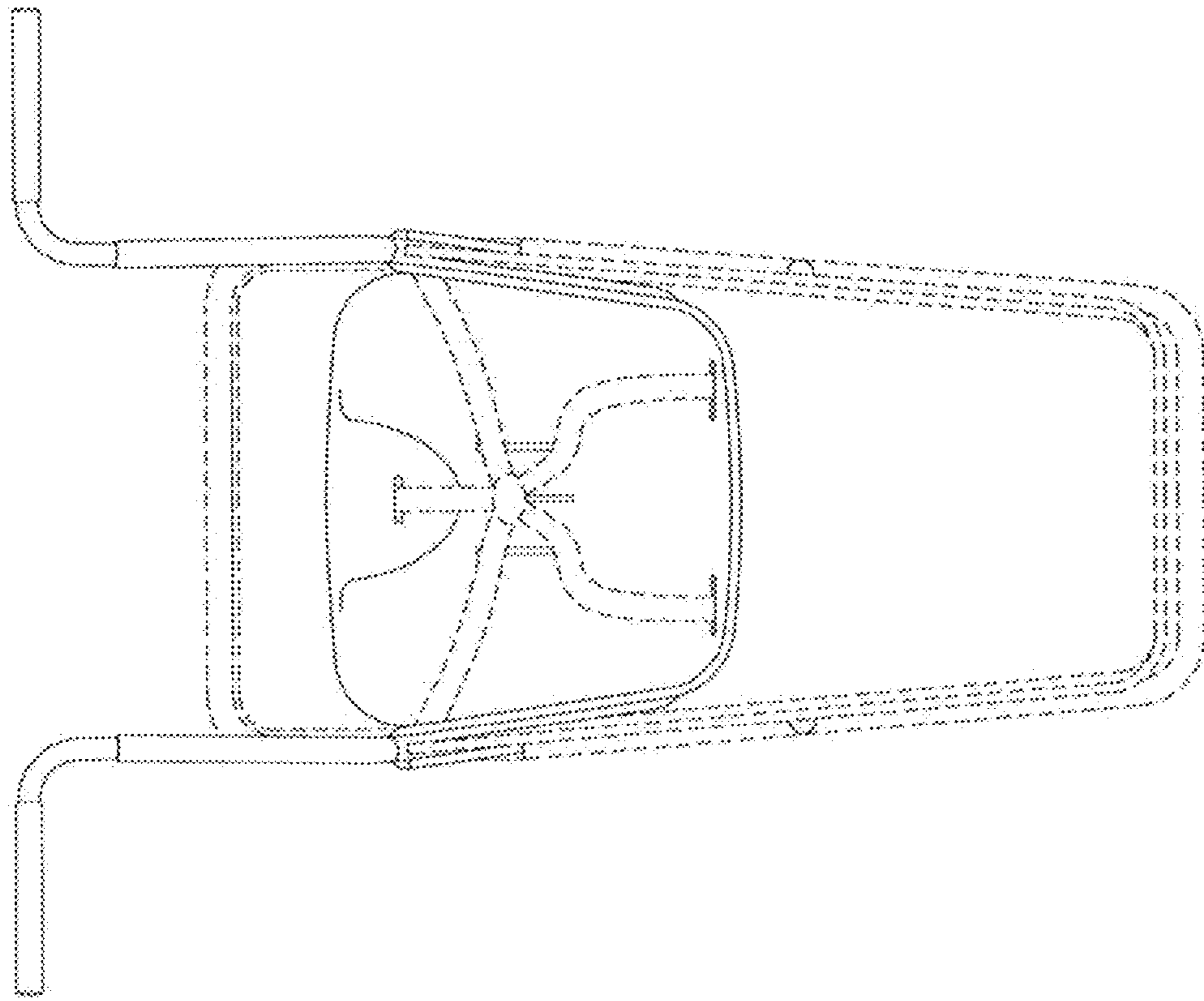


FIG. 10