



US00D702909S

(12) **United States Design Patent**  
**Stopp**

(10) **Patent No.:** **US D702,909 S**

(45) **Date of Patent:** **\*\* Apr. 15, 2014**

(54) **SHOPPING TROLLEY**

(75) Inventor: **Joaquín Jané Stopp**, Palau-Solità i Plegamans (ES)

(73) Assignee: **Play, S.A.**, Palau- Solita i Plegamans (Barcelona) (ES)

(\*\*) Term: **14 Years**

(21) Appl. No.: **29/429,533**

(22) Filed: **Aug. 13, 2012**

(30) **Foreign Application Priority Data**

Feb. 13, 2012 (EM) ..... 001990672

(51) **LOC (10) Cl.** ..... **12-02**

(52) **U.S. Cl.**  
USPC ..... **D34/12**

(58) **Field of Classification Search**  
USPC ..... D34/12-27; 280/642, 644, 42, 650,  
280/47.24, 47.19, 47.26, 47.34, 47.35  
See application file for complete search history.

(56) **References Cited**

**U.S. PATENT DOCUMENTS**

2,189,079 A \* 2/1940 Mueller et al. .... 298/2  
D168,745 S \* 2/1953 Kraus ..... D34/18  
D177,208 S \* 3/1956 Berlin ..... D34/18  
D260,753 S \* 9/1981 Partain ..... D34/17

4,632,461 A \* 12/1986 Randolph ..... 298/2  
D292,135 S \* 9/1987 Grube et al. .... D34/24  
D337,192 S \* 7/1993 Magyar ..... D34/16  
5,265,892 A \* 11/1993 Said ..... 280/30  
D352,145 S \* 11/1994 Server Perez ..... D34/19  
5,433,462 A \* 7/1995 Groleau ..... 280/38  
5,785,334 A \* 7/1998 Robinson ..... 280/204  
D617,072 S \* 6/2010 Lipscomb et al. .... D34/17  
D635,732 S \* 4/2011 Stopp ..... D34/12

\* cited by examiner

*Primary Examiner* — Cynthia Ramirez

(74) *Attorney, Agent, or Firm* — Ostrolenk Faber LLP

(57) **CLAIM**

The ornamental design for the shopping trolley, as shown and described.

**DESCRIPTION**

FIG. 1 is a front and side perspective view of a shopping trolley showing my new design;  
FIG. 2 is a front view thereof;  
FIG. 3 is a rear view thereof;  
FIG. 4 is a side view thereof, the opposite side view being the mirror image of FIG. 4;  
FIG. 5 is a top view thereof; and,  
FIG. 6 is a bottom view thereof.  
The broken lines shown in FIGS. 1, 2, 5 and 6 are shown to represent stitching.

**1 Claim, 5 Drawing Sheets**

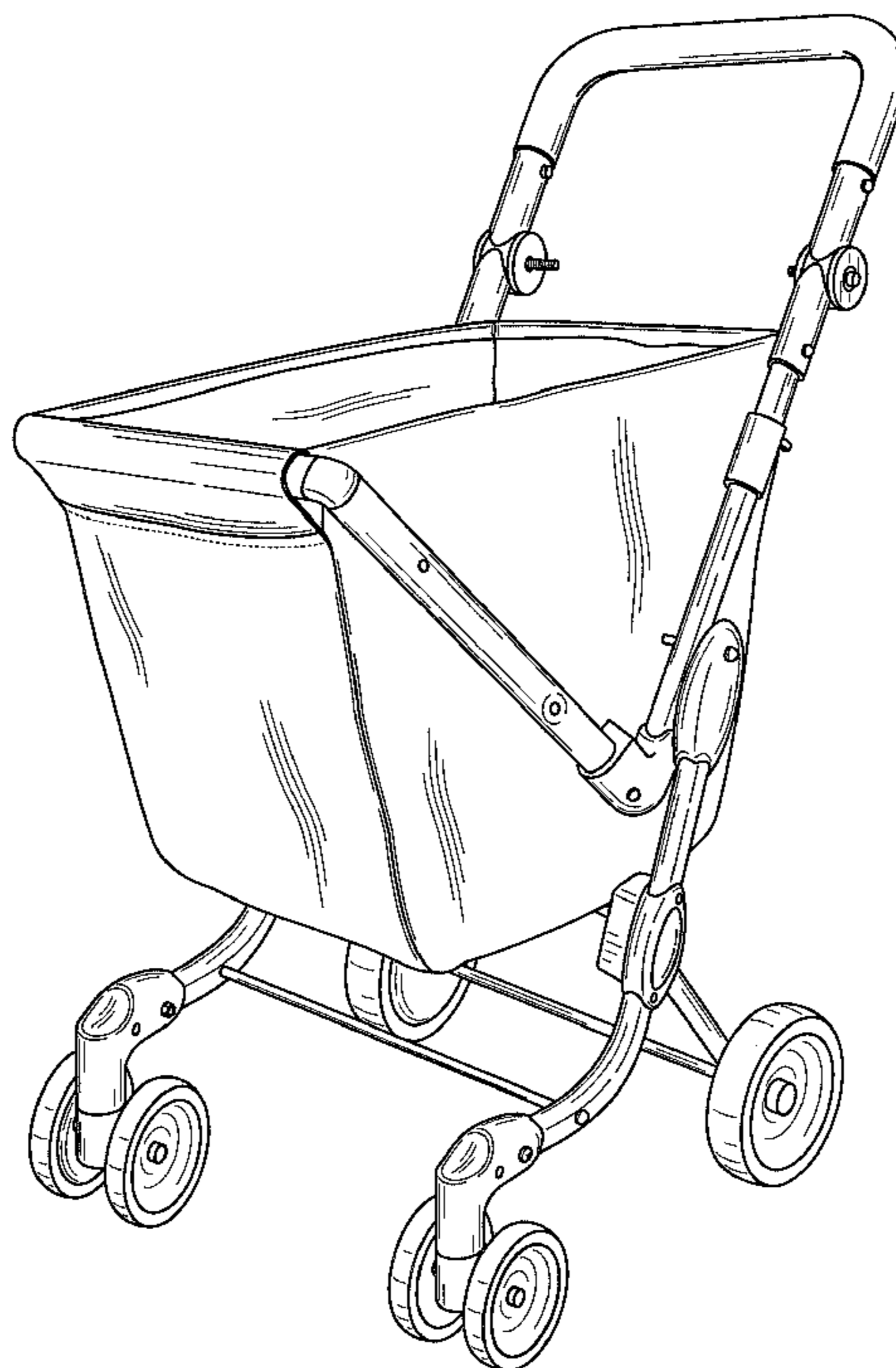




FIG. 1

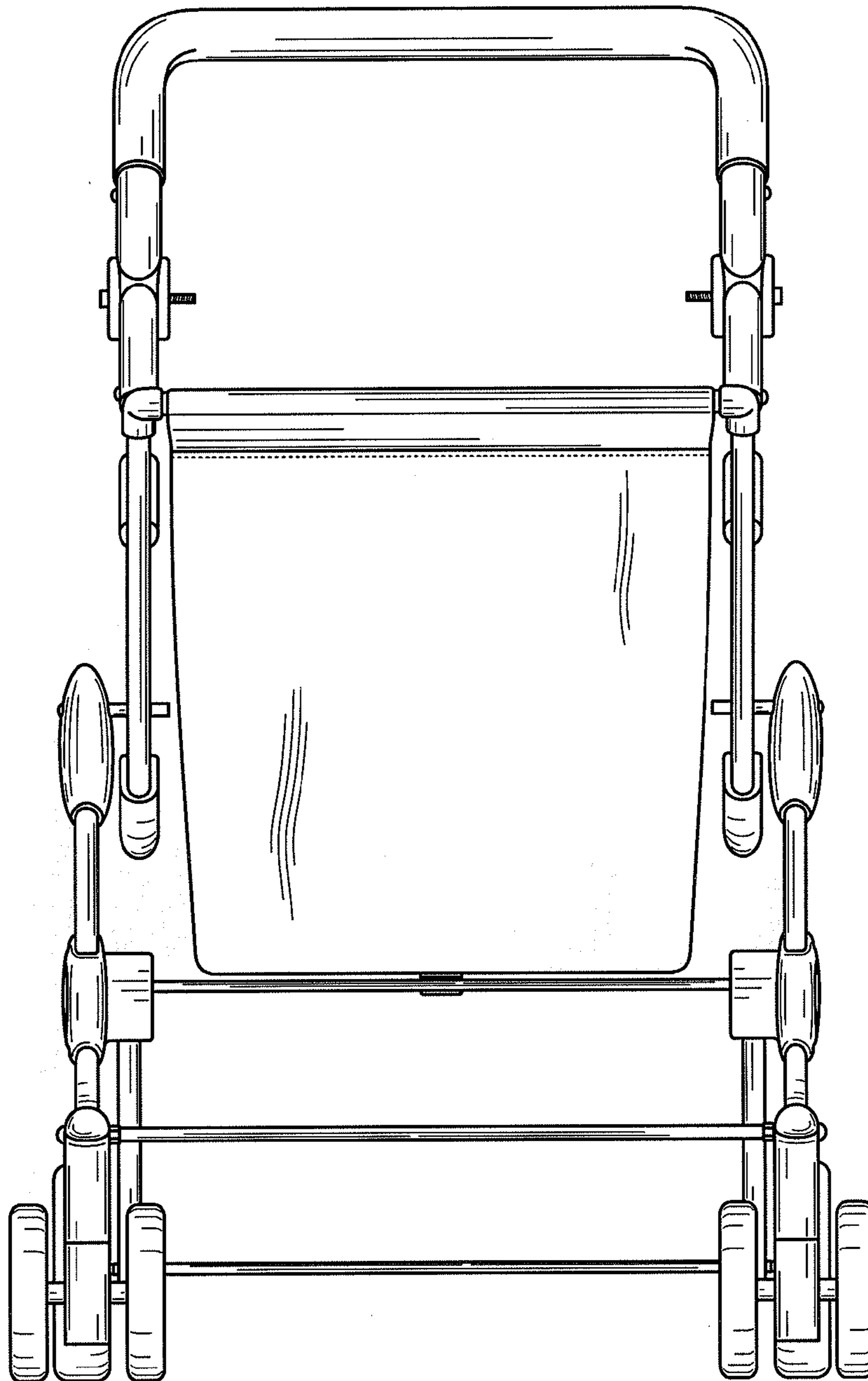


FIG. 2

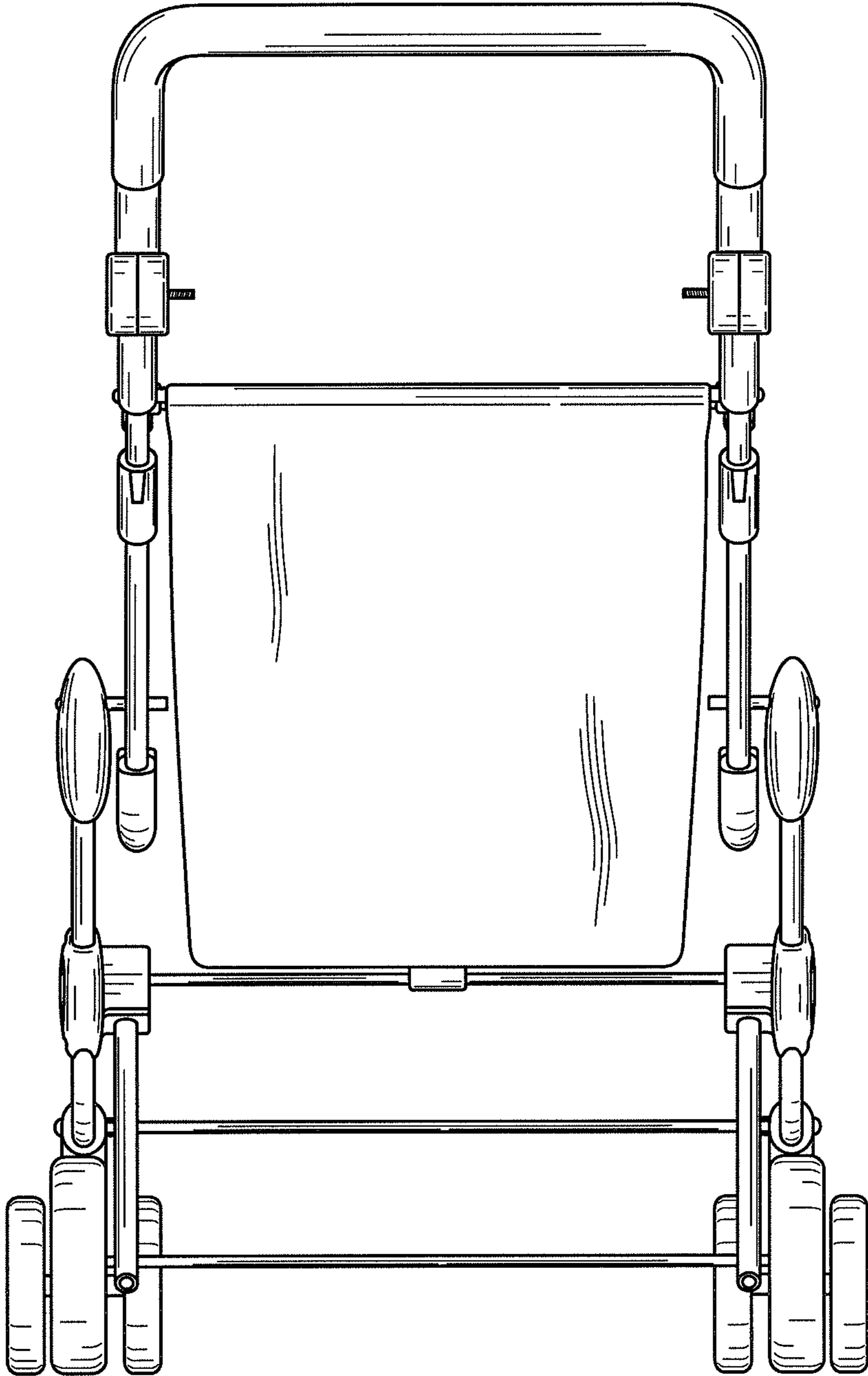


FIG. 3

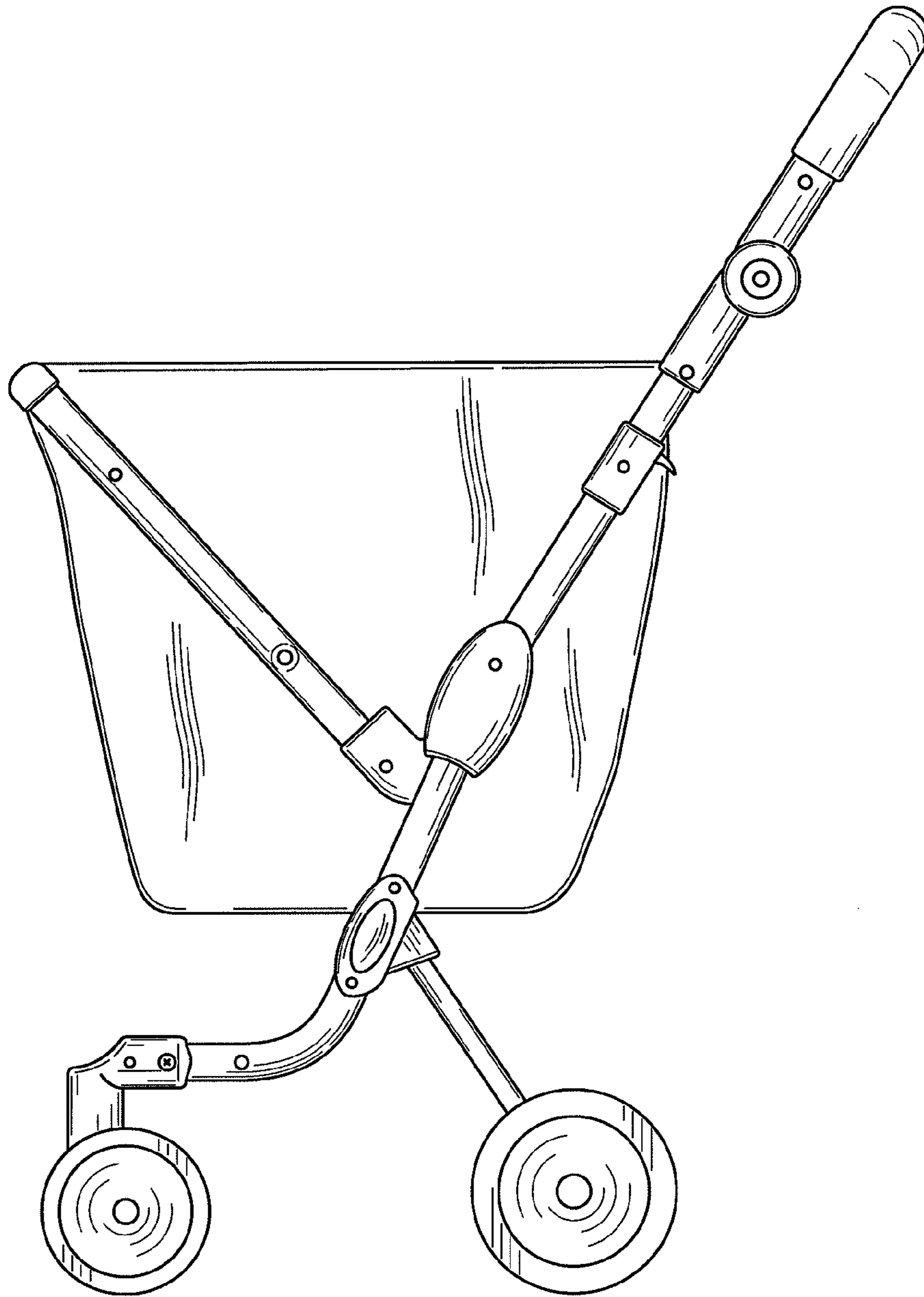


FIG. 4

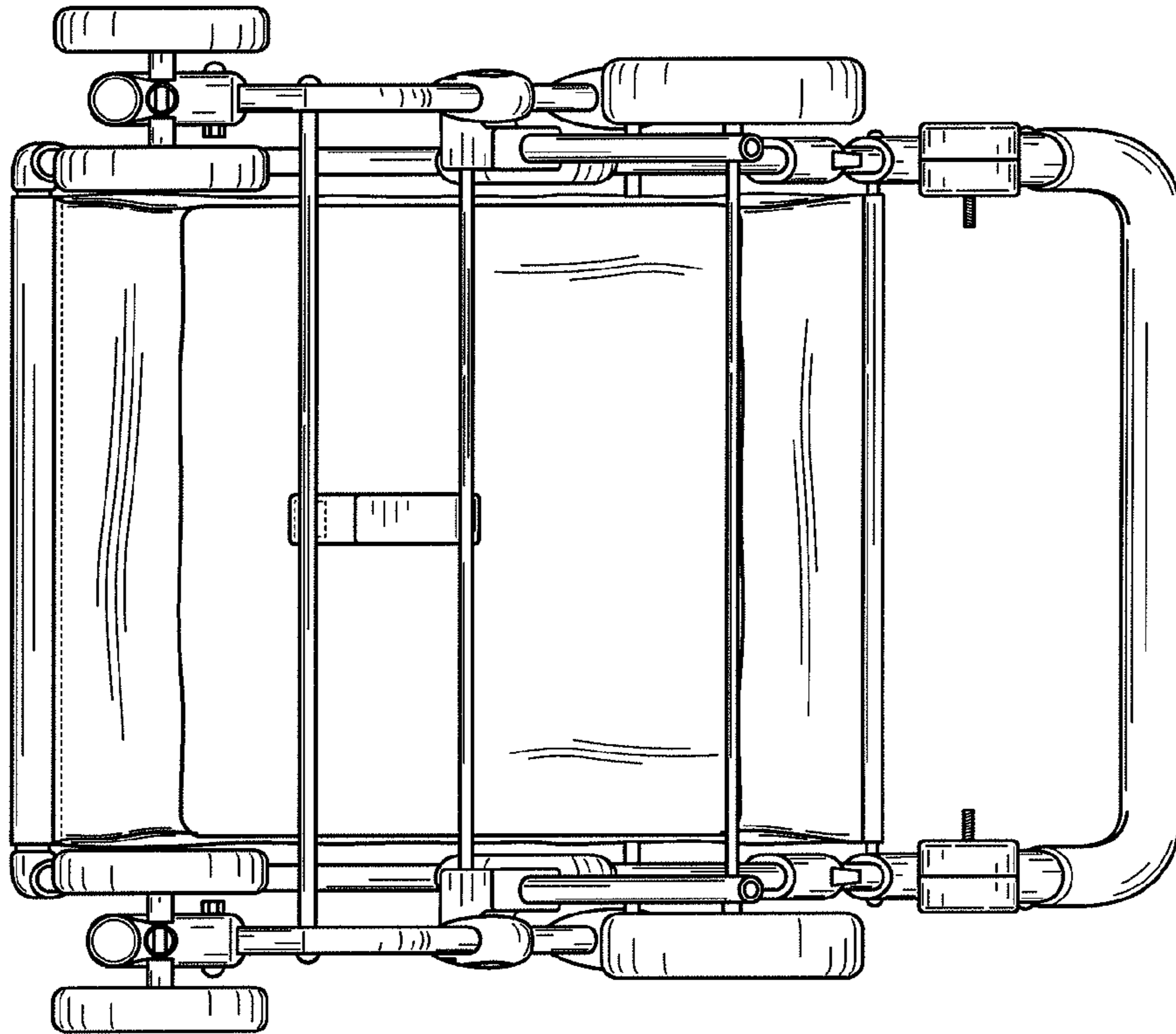


FIG. 6

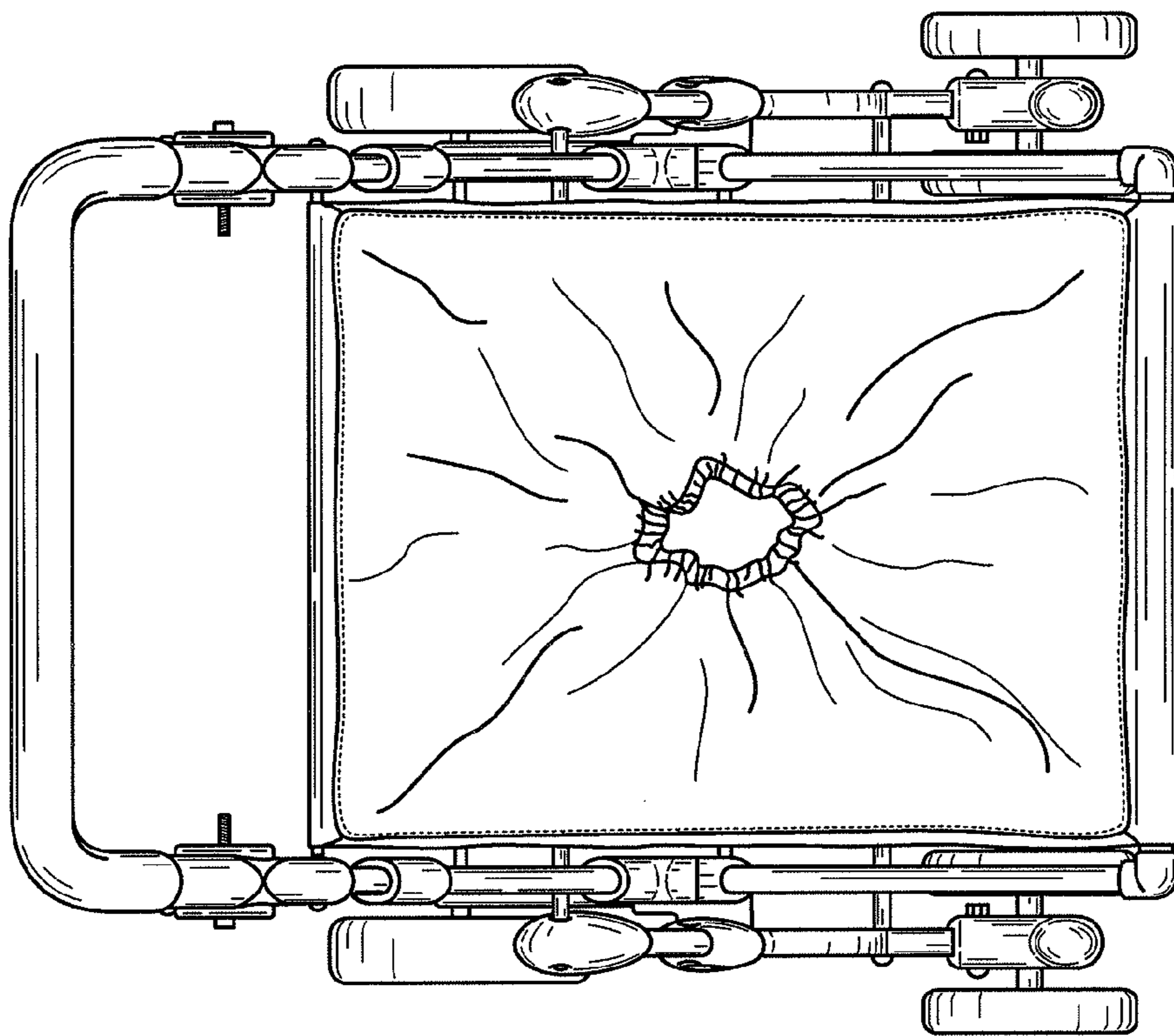


FIG. 5