



US00D702908S

(12) **United States Design Patent**
Booker, Sr.

(10) **Patent No.:** **US D702,908 S**
(45) **Date of Patent:** **** Apr. 15, 2014**

- (54) **TRASH BURNING RECEPTACLE**
- (71) Applicant: **Donald A. Booker, Sr.**, Fredericton (CA)
- (72) Inventor: **Donald A. Booker, Sr.**, Fredericton (CA)
- (**) Term: **14 Years**
- (21) Appl. No.: **29/448,315**
- (22) Filed: **Mar. 12, 2013**
- (51) **LOC (10) Cl.** **09-09**
- (52) **U.S. Cl.**
USPC **D34/7**
- (58) **Field of Classification Search**
USPC D34/1-11; 220/908, 908.1, 910, 911;
126/225
See application file for complete search history.

- 4,959,925 A 10/1990 Nelson et al.
- 4,998,479 A 3/1991 Perham et al.
- 6,061,950 A 5/2000 Carey et al.
- 6,783,081 B2 8/2004 Pedrotti et al.
- 7,597,857 B2 10/2009 Reece
- 8,376,170 B1* 2/2013 Lobdell 220/212

* cited by examiner

Primary Examiner — Cynthia Ramirez
(74) *Attorney, Agent, or Firm* — Montgomery Patent & Design; Robert C. Montgomery

(57) **CLAIM**
The ornamental design for a trash burning receptacle, as shown and described.

DESCRIPTION

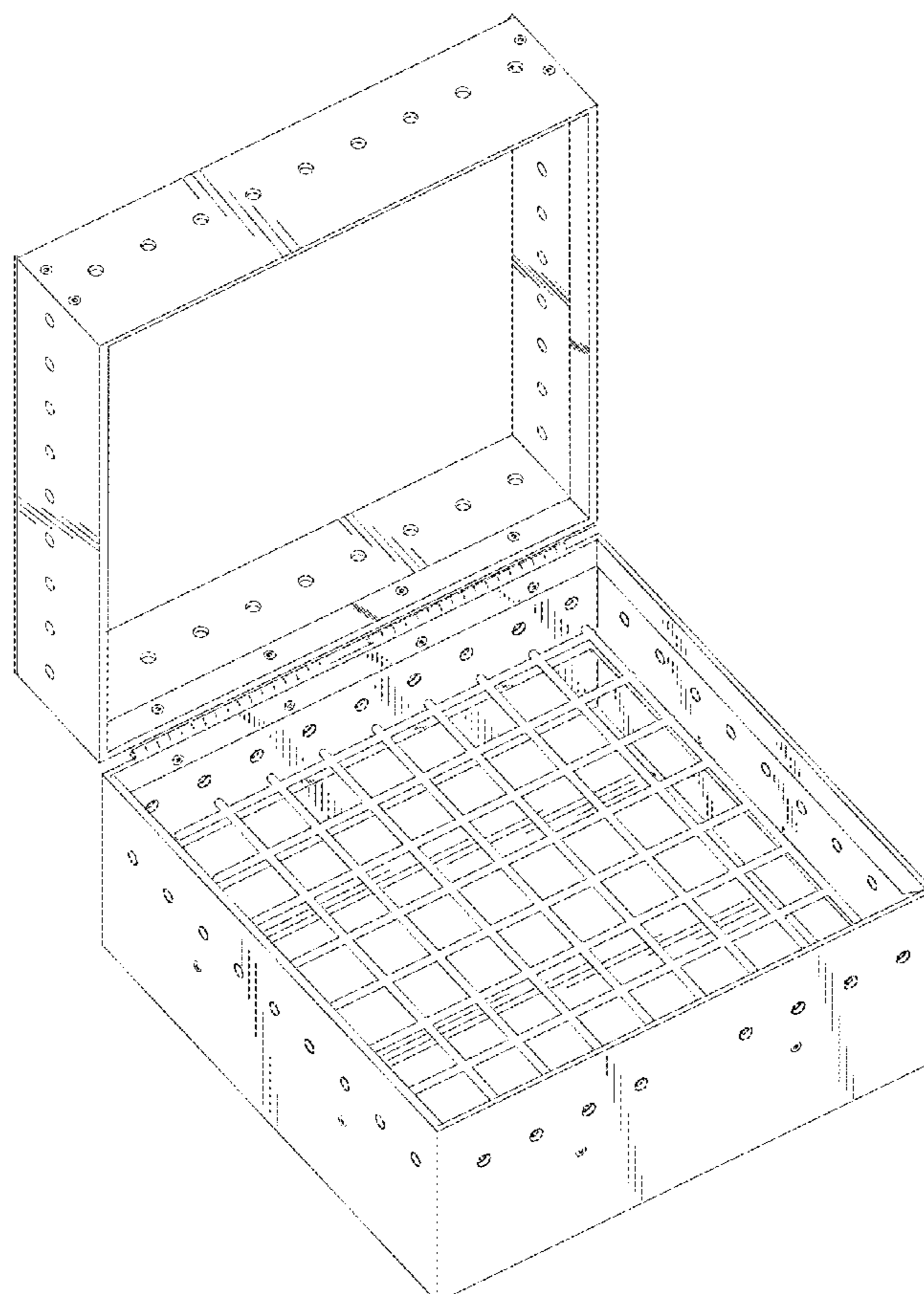
FIG. 1 is an isometric view of a trash burning receptacle;
FIG. 2 is a front view thereof;
FIG. 3 is a rear view thereof;
FIG. 4 is a left hand side view thereof, wherein a right hand side view is a mirror image of the left hand side view;
FIG. 5 is a top view thereof;
FIG. 6 is a bottom view thereof; and,
FIG. 7 is another isometric view thereof in a closed position with clamping hardware for illustration.

1 Claim, 7 Drawing Sheets

(56) **References Cited**

U.S. PATENT DOCUMENTS

- 414,931 A * 11/1889 Werner 126/225
- 2,515,497 A * 7/1950 Davidson 126/225
- 2,566,100 A * 8/1951 Vitek 126/225
- 3,270,902 A * 9/1966 Breault 414/406
- 3,522,912 A * 8/1970 Moore 242/433.4
- D293,797 S * 1/1988 Parker D15/123
- 4,839,144 A 6/1989 Martin



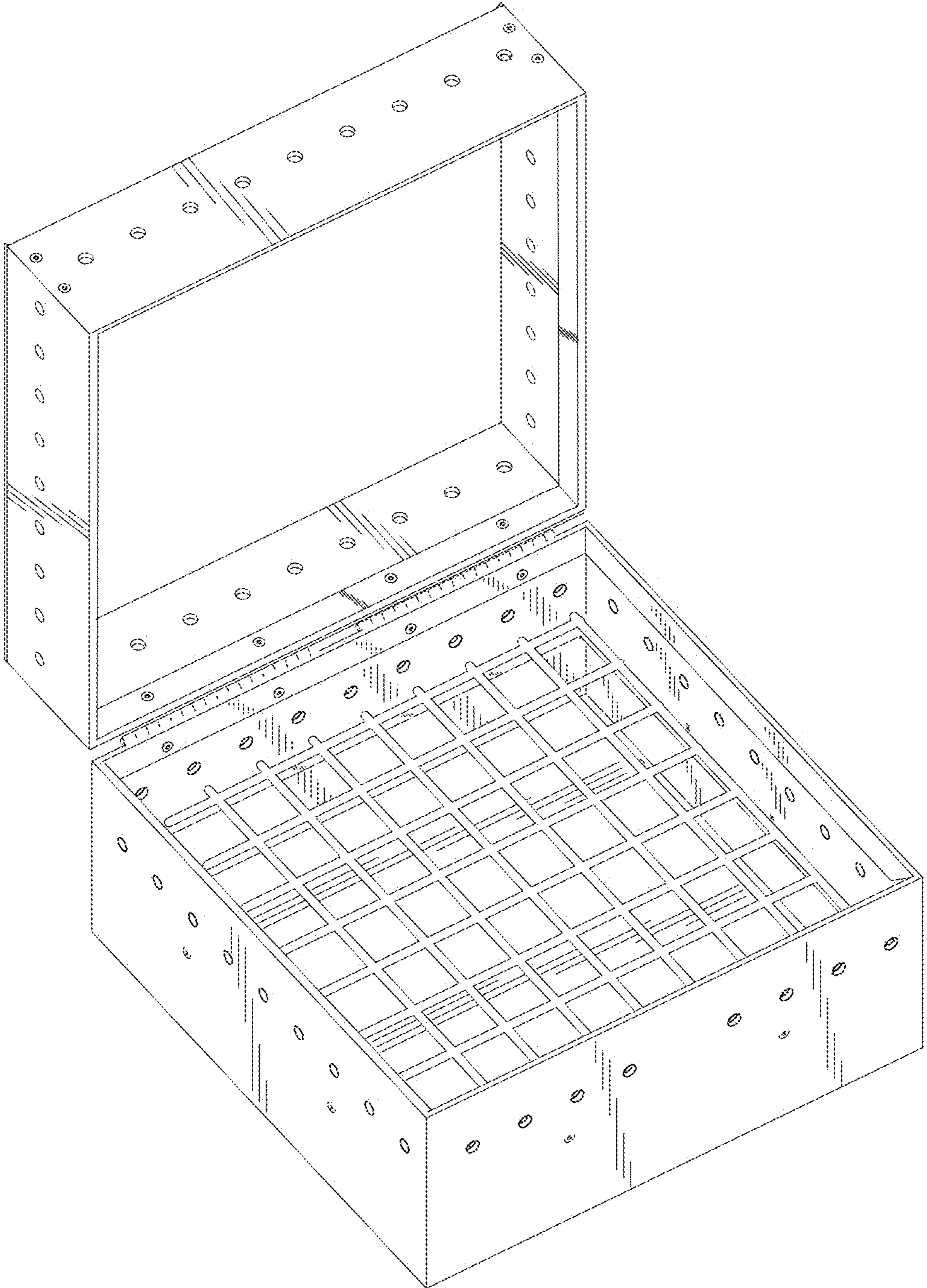


Fig. 1

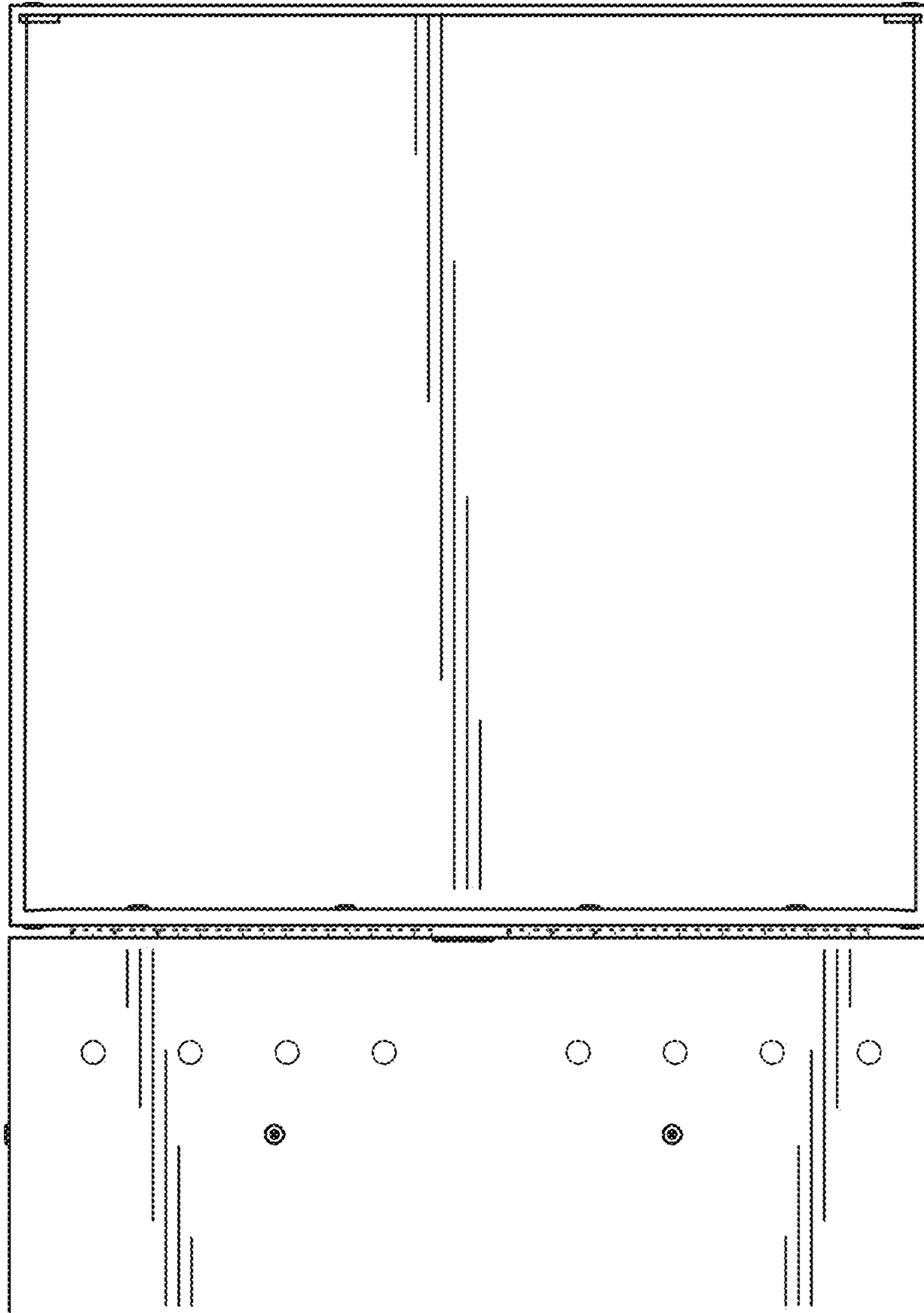


Fig. 2

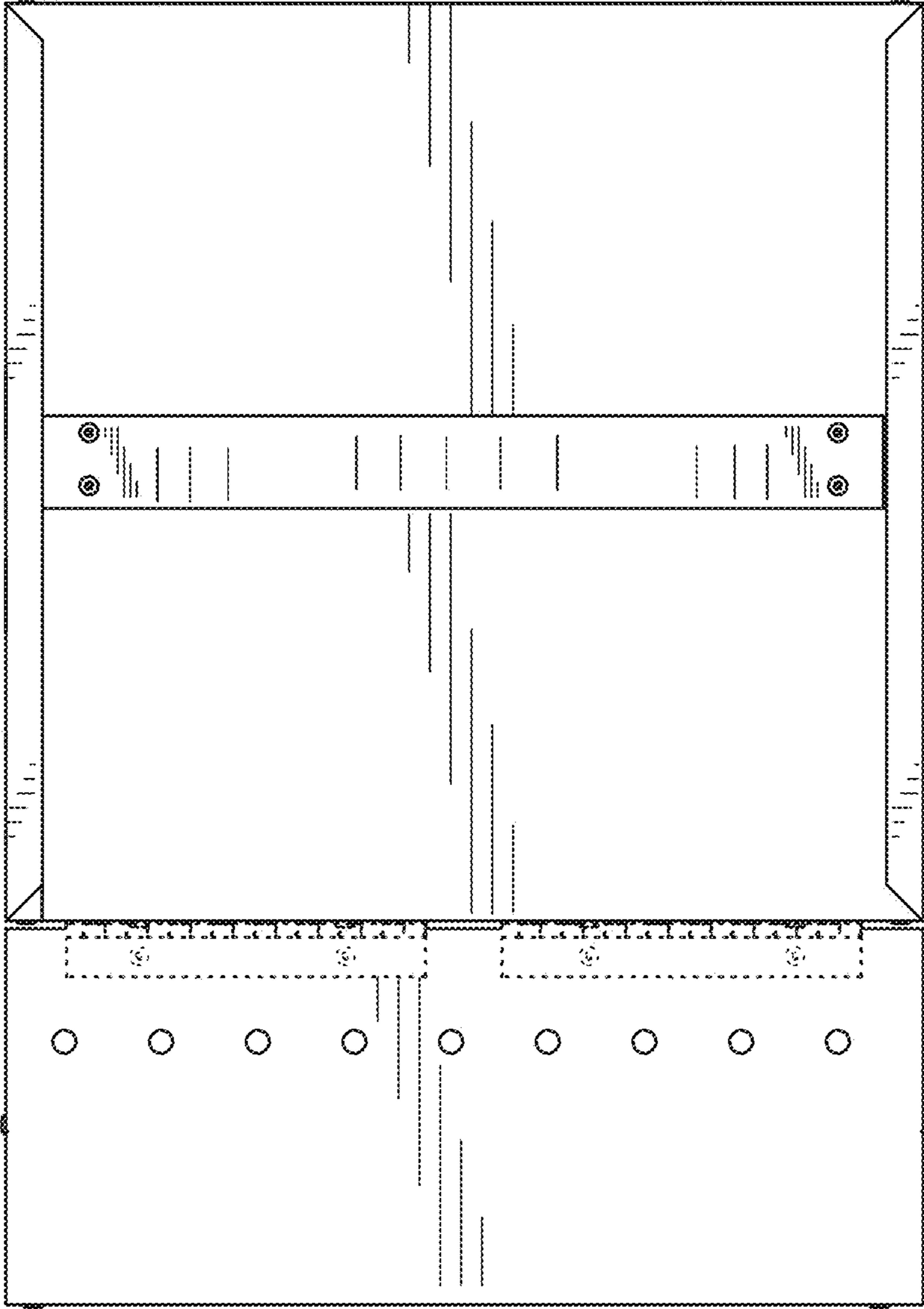


Fig. 3

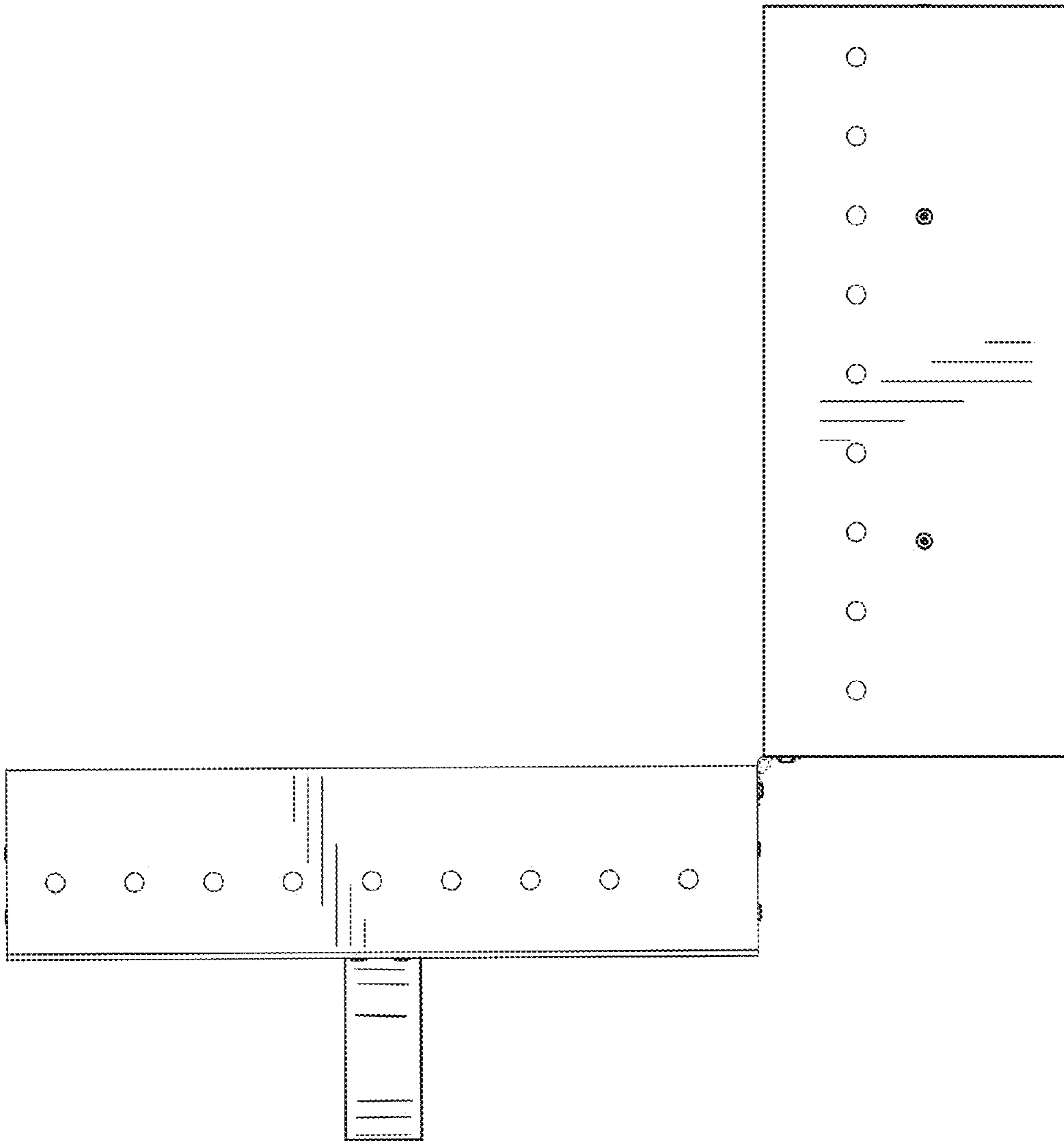


Fig. 4

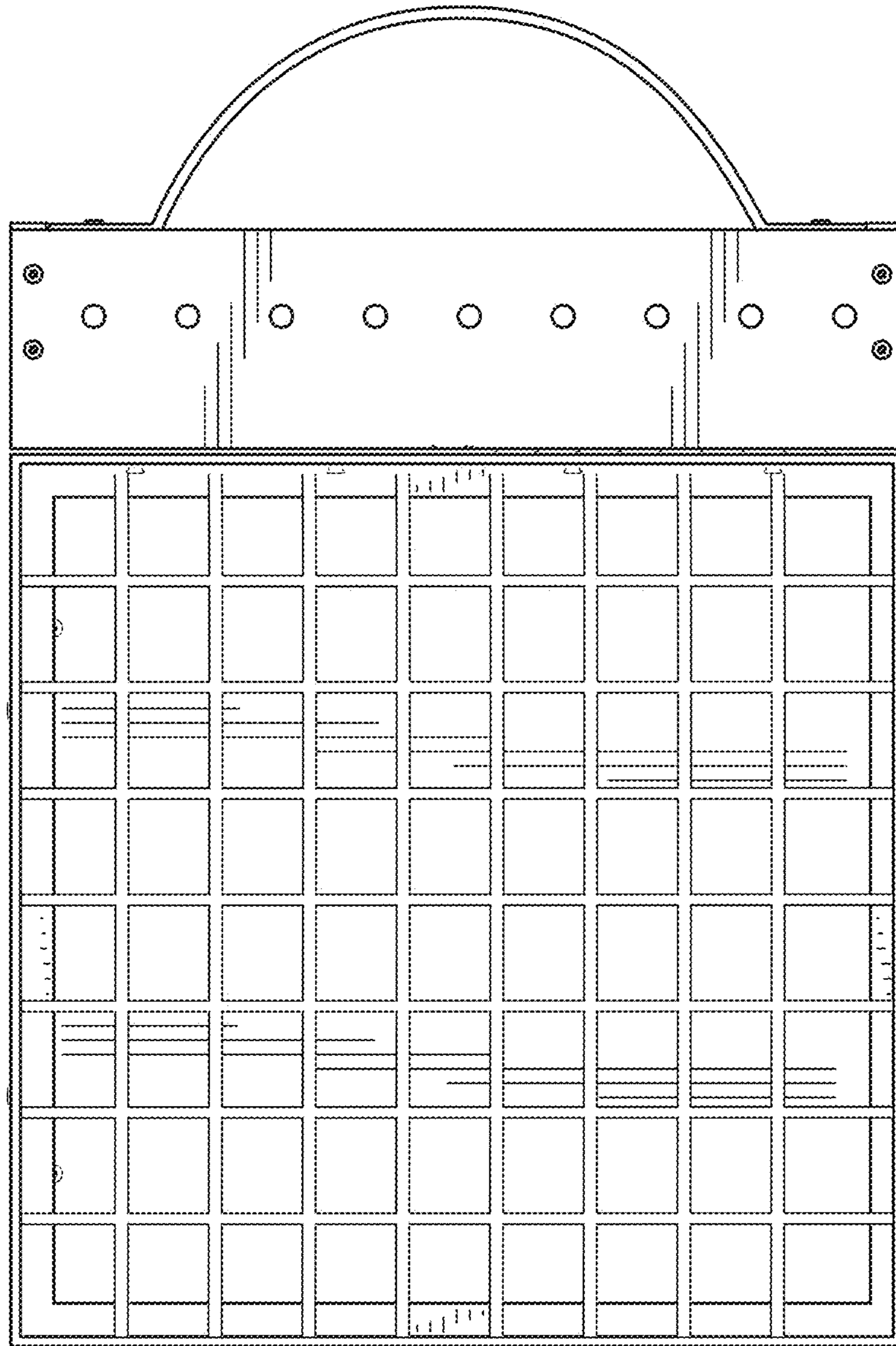


Fig. 5

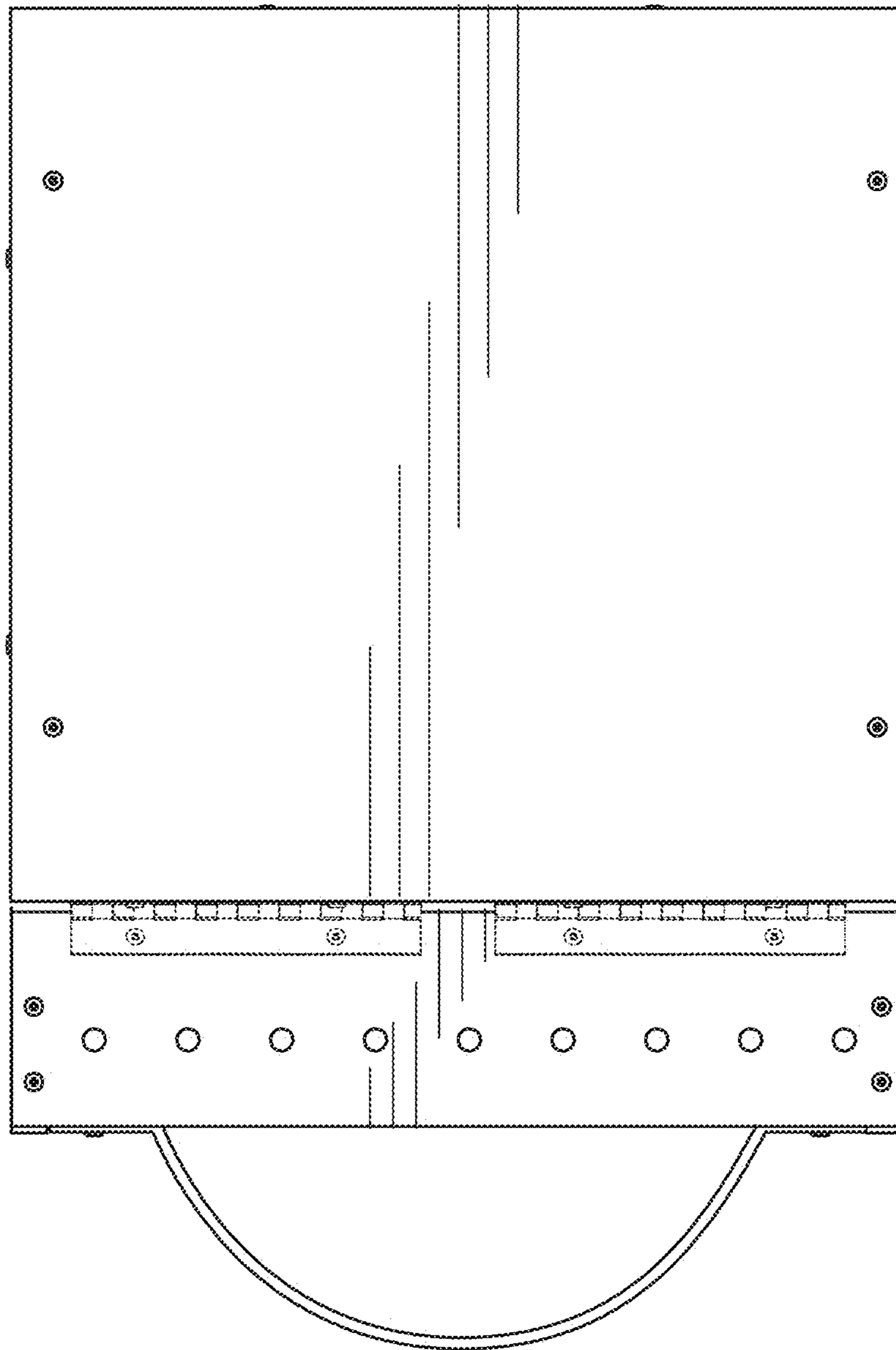


Fig. 6

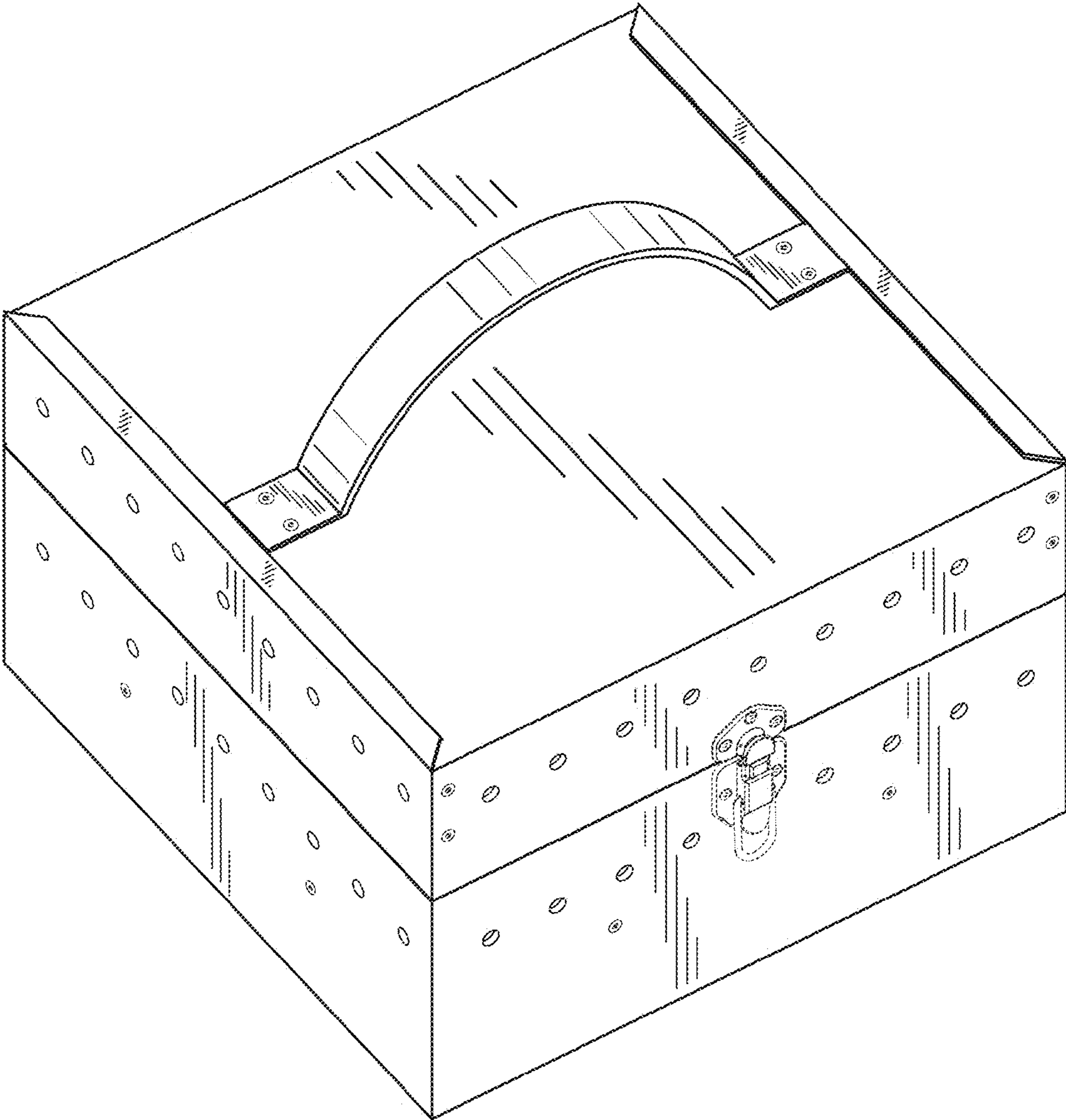


Fig. 7