



US00D702906S

(12) **United States Design Patent**
Michels et al.

(10) **Patent No.:** **US D702,906 S**
(45) **Date of Patent:** **** Apr. 15, 2014**

(54) **MULTIUSE CLEANING TOOL**

(71) Applicant: **Unger Marketing International, LLC.,**
Bridgeport, CT (US)

(72) Inventors: **Mark Robert Michels,** Darien, CT
(US); **Anthony Sgroi, Jr.,** Wallingford,
CT (US); **Joseph K. Patterson,** Monroe,
CT (US)

(73) Assignee: **Unger Marketing International, LLC,**
Bridgeport, CT (US)

(**) Term: **14 Years**

(21) Appl. No.: **29/432,671**

(22) Filed: **Sep. 18, 2012**

(51) **LOC (10) Cl.** **04-01**

(52) **U.S. Cl.**
USPC **D32/50; D32/51; D32/43**

(58) **Field of Classification Search**
USPC **D32/50-52, 40, 44, 45; 473/301, 302;**
15/143.1, 119.2, 120.1, 120.2, 116.1,
15/116.2, 150, 209.1-210.1; 401/137-140
See application file for complete search history.

(56) **References Cited**

U.S. PATENT DOCUMENTS

D20,561	S	*	3/1891	Schmidt	D3/16
1,762,182	A	*	6/1930	Mayer	15/229.11
D271,817	S	*	12/1983	Collin	D32/40
D416,654	S	*	11/1999	Haynes	D32/43
5,996,161	A	*	12/1999	Facca	15/120.1
D437,972	S	*	2/2001	Harty et al.	D28/7

D466,662	S	*	12/2002	Lorkovic	D32/43
D521,246	S	*	5/2006	Huller	D4/124
D591,051	S	*	4/2009	Krus et al.	D4/137
D595,465	S	*	6/2009	Koenig et al.	D32/34
D609,918	S	*	2/2010	Lee	D4/138
D611,669	S	*	3/2010	Benson et al.	D32/50
D615,260	S	*	5/2010	Koenig	D32/45
D620,214	S	*	7/2010	Clemen	D32/50
D622,019	S	*	8/2010	Weaver et al.	D32/51
D628,352	S	*	11/2010	Libman et al.	D32/52
D660,536	S	*	5/2012	Weaver et al.	D32/51
2004/0134016	A1	*	7/2004	Kisela et al.	15/320
2006/0233593	A1	*	10/2006	Tanaka et al.	401/139

* cited by examiner

Primary Examiner — John Windmuller

(74) *Attorney, Agent, or Firm* — Ohlandt, Greeley, Ruggiero & Perle, LLP

(57) **CLAIM**

The ornamental design for the multiuse cleaning tool, as shown.

DESCRIPTION

FIG. 1 is a top perspective view of an exemplary embodiment a multiuse cleaning tool according to the present disclosure; FIG. 2 is a first side view of the multiuse cleaning tool of FIG. 1; FIG. 3 is a second, opposite side view of the multiuse cleaning tool of FIG. 1; FIG. 4 is a front view of the multiuse cleaning tool of FIG. 1; FIG. 5 is a rear view of the multiuse cleaning tool of FIG. 1; FIG. 6 is a bottom view of the multiuse cleaning tool of FIG. 1; and, FIG. 7 is a top view of the multiuse cleaning tool of FIG. 1.

1 Claim, 6 Drawing Sheets



FIG. 1

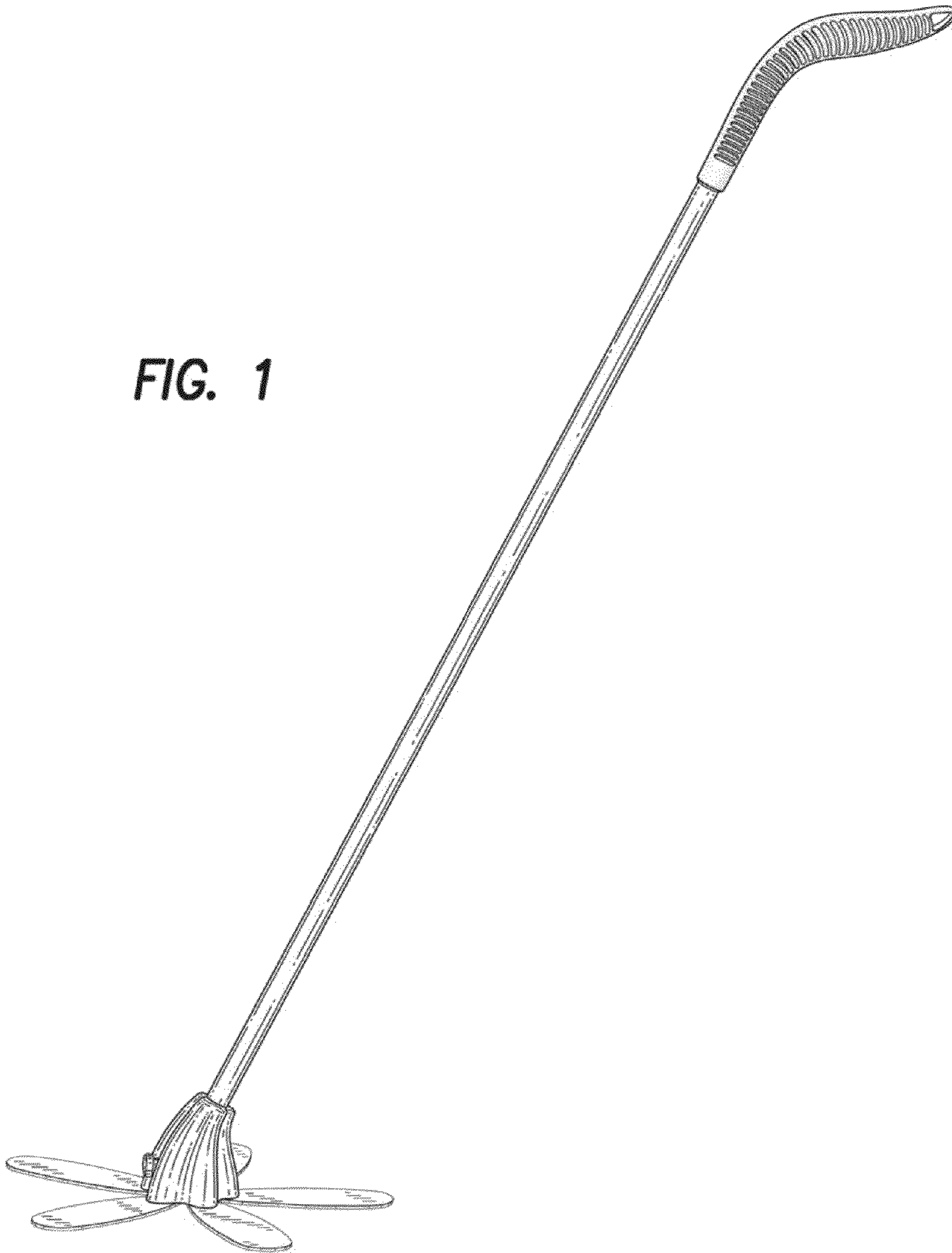
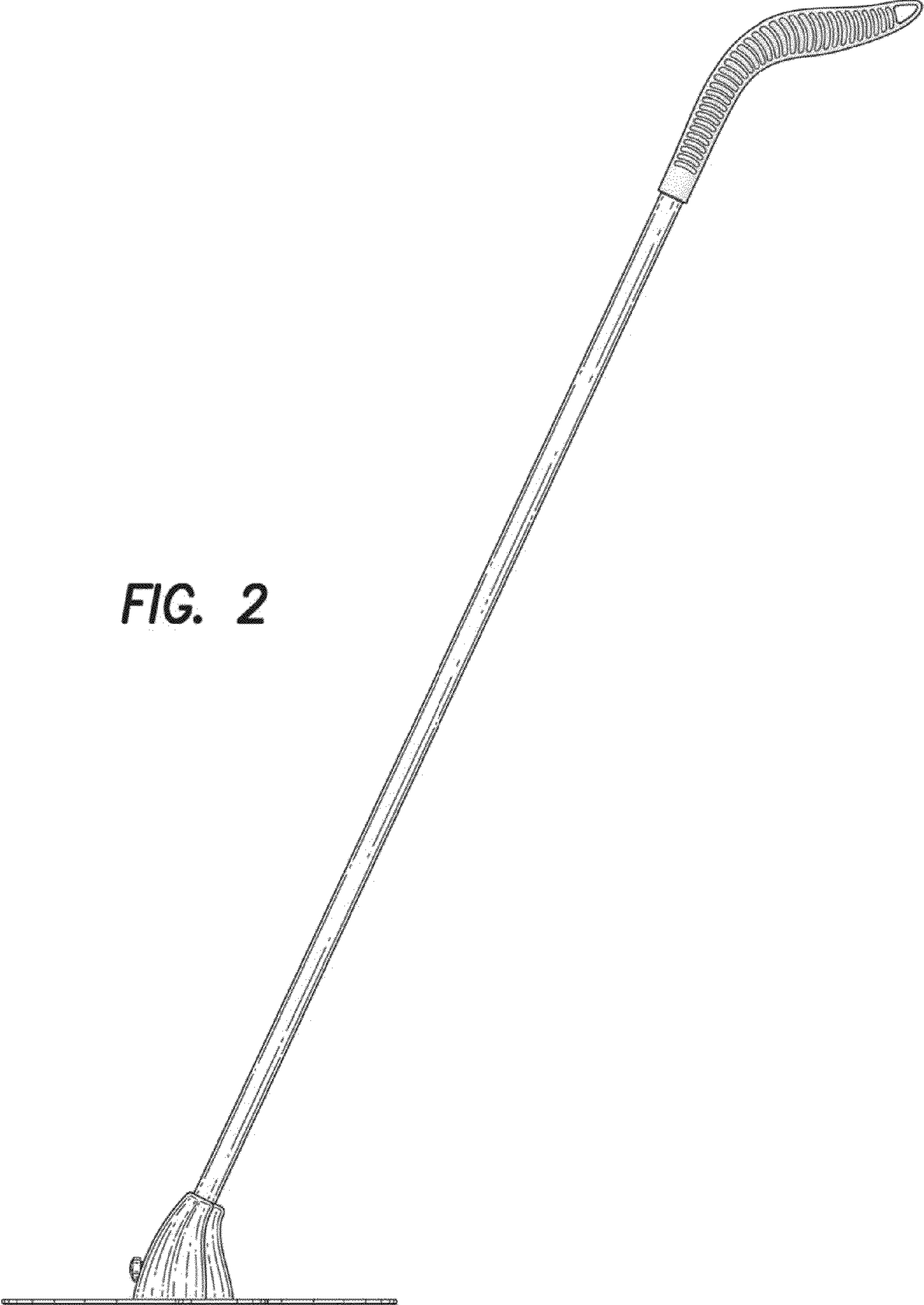


FIG. 2



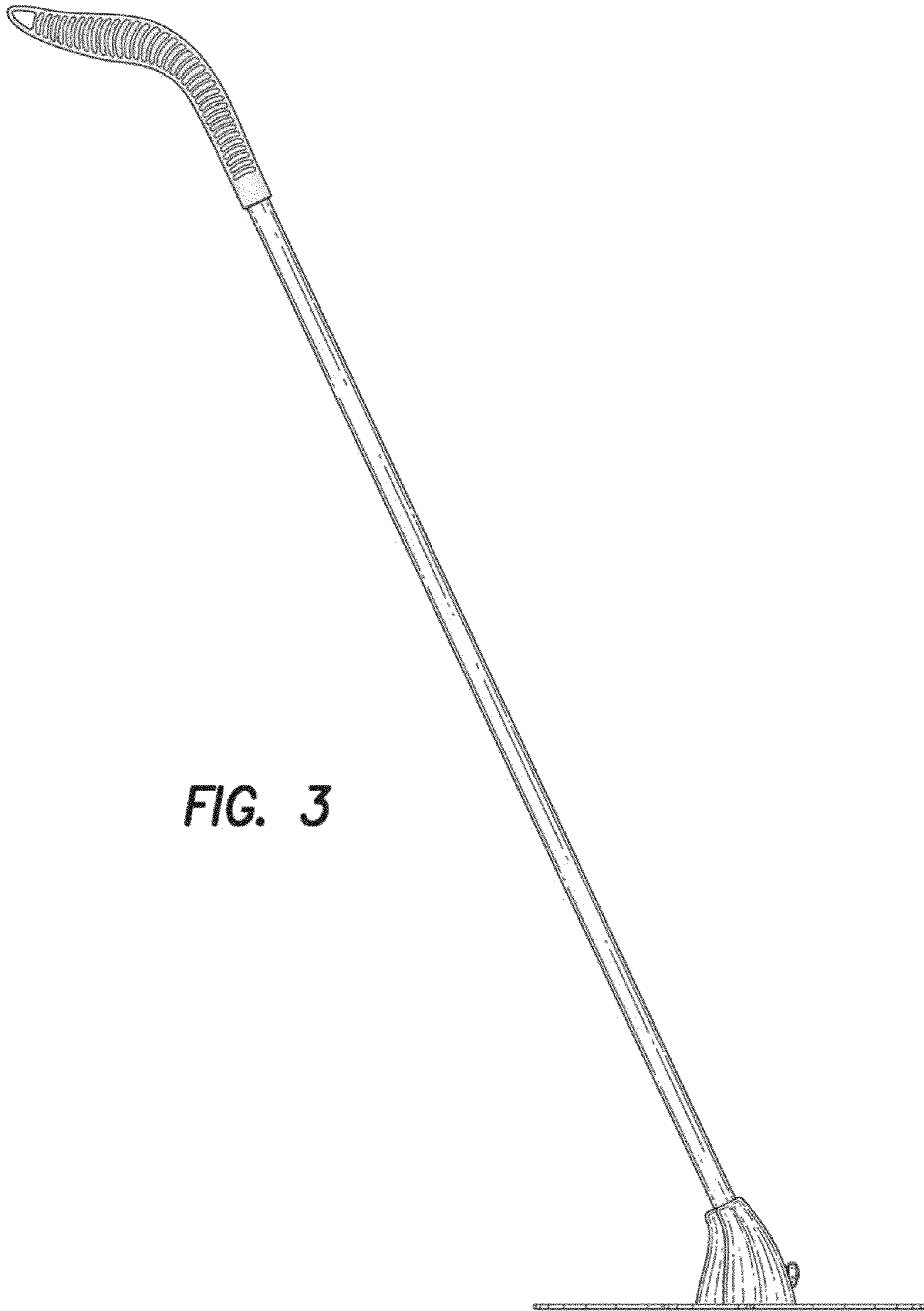


FIG. 3

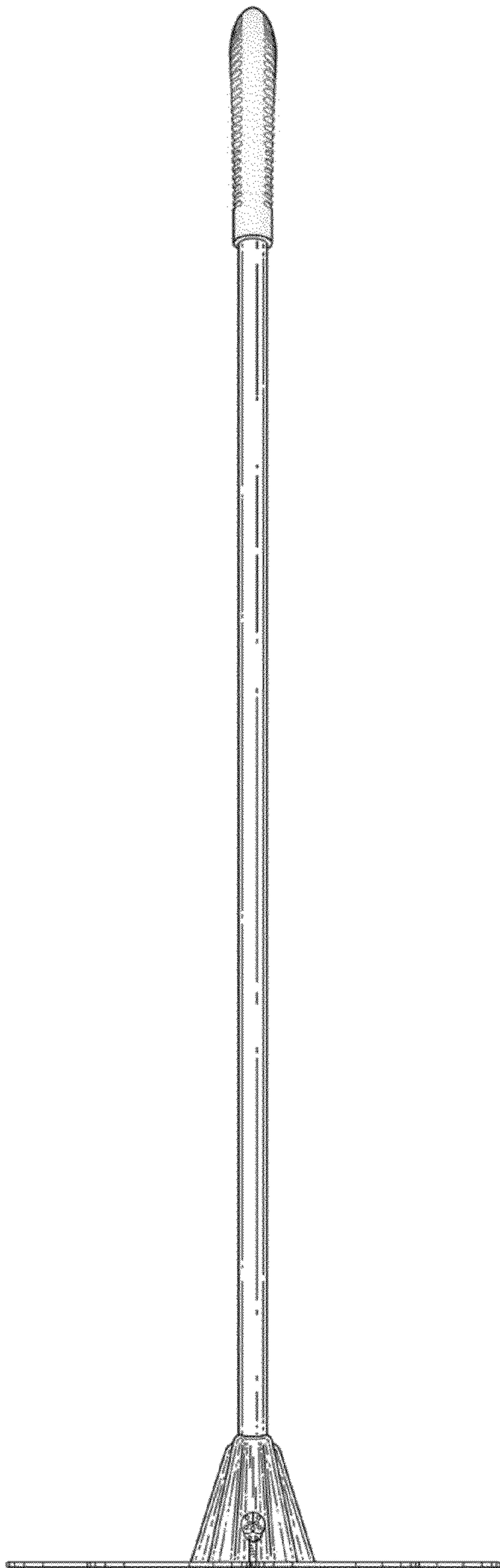


FIG. 4

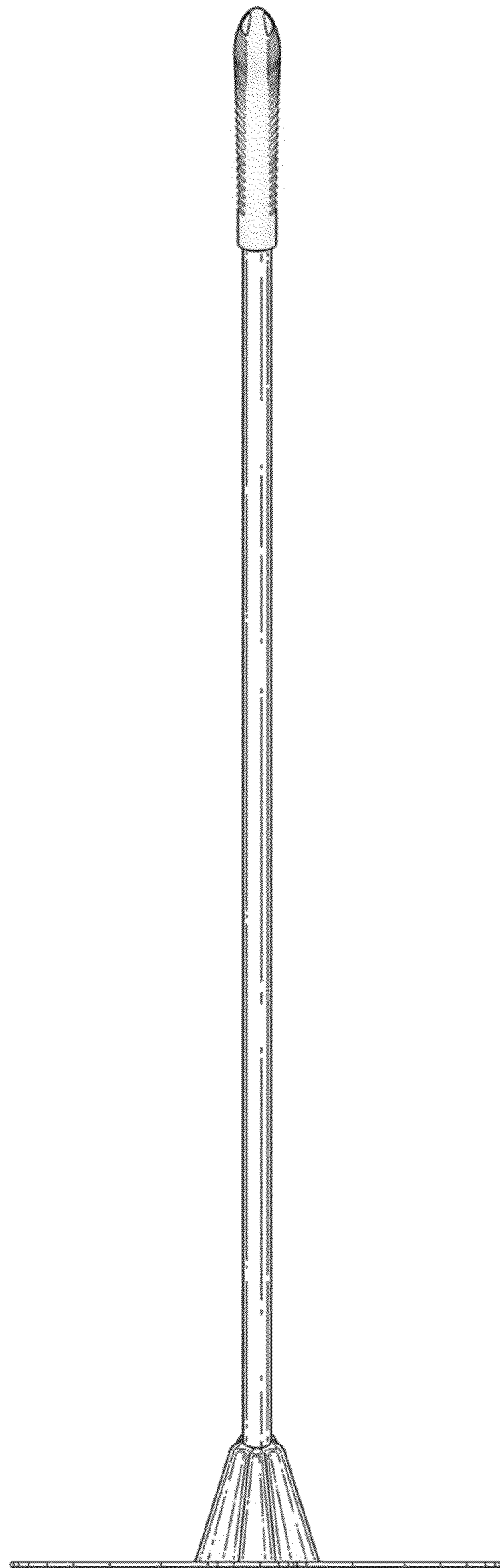


FIG. 5

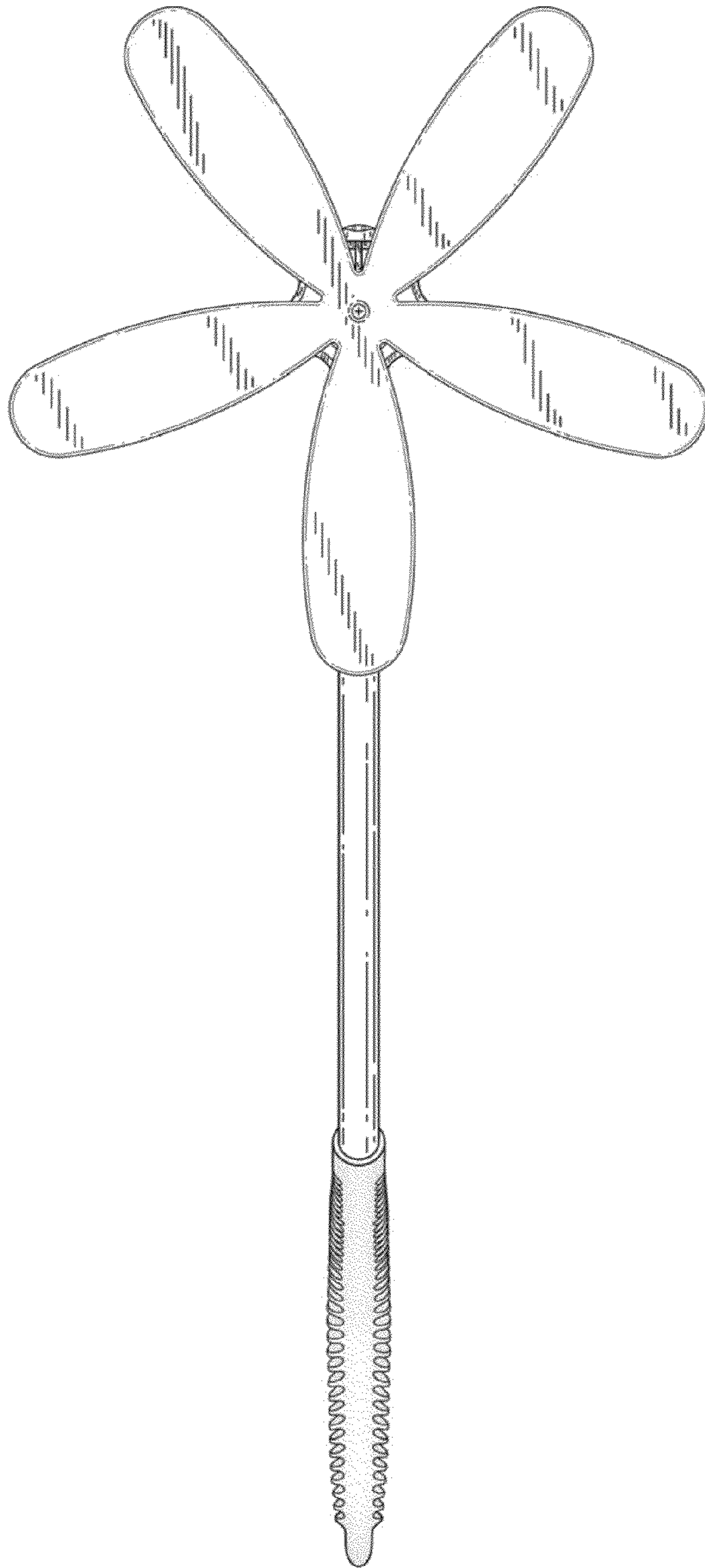


FIG. 6

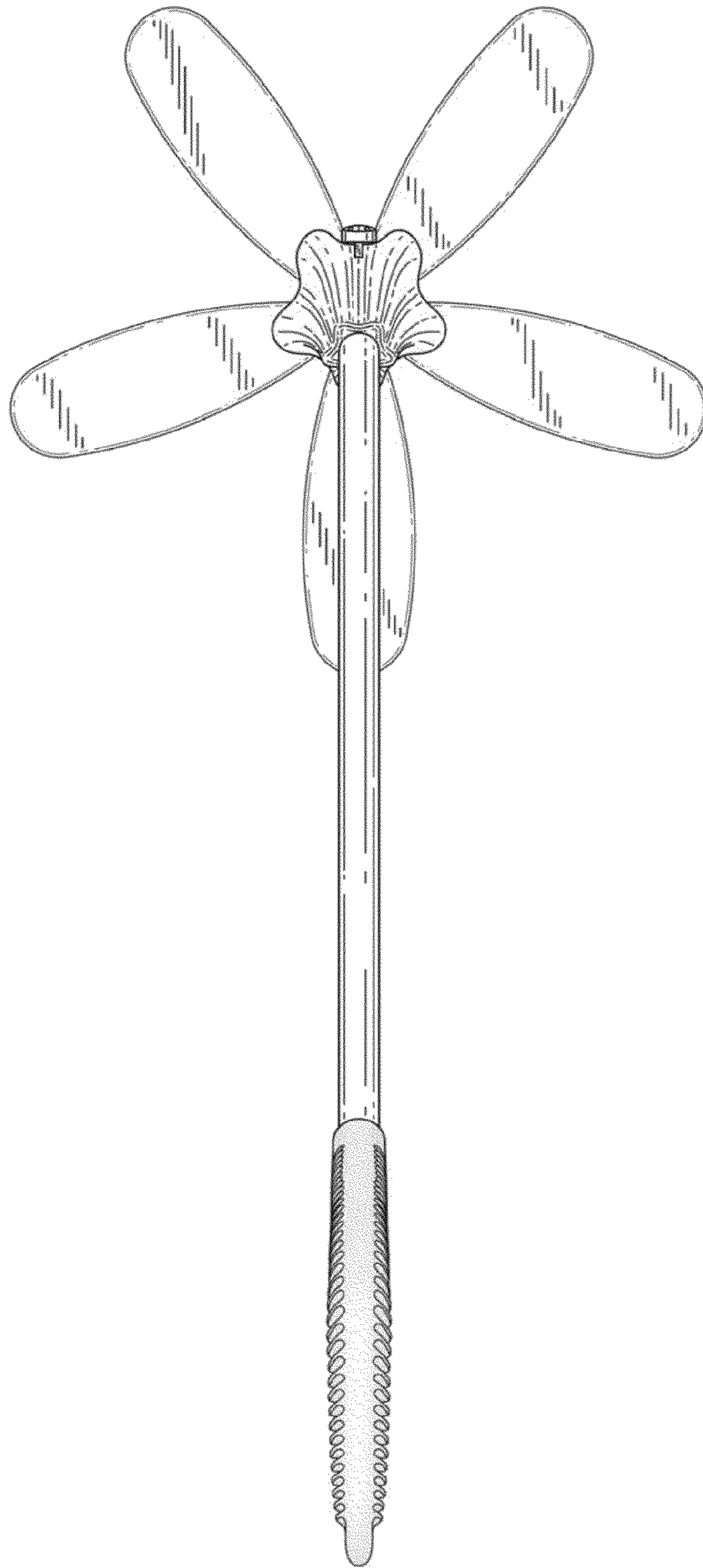


FIG. 7