



US00D702902S

(12) **United States Design Patent**  
**Lauer**

(10) **Patent No.:** **US D702,902 S**  
(45) **Date of Patent:** **\*\* Apr. 15, 2014**

(54) **AIRFLOW PORTION OF DEBRIS-COLLECTING APPARATUS**

(75) Inventor: **G. Kent Lauer**, Lee's Summit, MO (US)

(73) Assignee: **Billy Goat Industries, Inc.**, Lee's Summit, MO (US)

(\*\*) Term: **14 Years**

(21) Appl. No.: **29/423,961**

(22) Filed: **Jun. 6, 2012**

(51) **LOC (10) Cl.** ..... **15-05**

(52) **U.S. Cl.**  
USPC ..... **D32/31; D15/10**

(58) **Field of Classification Search**  
USPC ..... D32/16, 17, 18, 21, 25, 31, 32, 33, 34, D32/35; D15/10, 11, 12, 13, 14, 17, 21, 22, D15/23, 26, 27, 28, 31, 33; D28/10, 12, 18, D28/19; 15/246, 246.2, 257.1, 300.1, 328, 15/334, 338, 345, 347, 349; 55/341.1, 55/341.2, 341.6, 344, 345, 353, 359, 366, 55/373, 383, 410, 415, 416, 423  
See application file for complete search history.

(56) **References Cited**

**U.S. PATENT DOCUMENTS**

1,691,536	A *	11/1928	Winslow et al.	55/383
2,074,818	A *	3/1937	Watson	55/415
2,248,181	A *	7/1941	Little	55/415
3,246,459	A *	4/1966	Goldberg et al.	D15/14

(Continued)

*Primary Examiner* — Deanna L Pratt

*Assistant Examiner* — Natasha Vujcic

(74) *Attorney, Agent, or Firm* — Lathrop & Gage, LLP

(57) **CLAIM**

The ornamental design for an airflow portion of debris-collecting apparatus, as shown and described.

**DESCRIPTION**

FIG. 1 is an isometric view of an airflow portion of debris-collecting apparatus showing the new design according to one embodiment, in use as part of an illustrative debris-collecting apparatus.

FIG. 2 is another isometric view of the airflow portion of debris-collecting apparatus of FIG. 1, shown again in use as part of an illustrative debris-collecting apparatus.

FIG. 3 is a front view of the airflow portion of debris-collecting apparatus of FIG. 1, shown in use with other parts of an illustrative debris-collecting apparatus.

FIG. 4 is a rear view of the airflow portion of debris-collecting apparatus of FIG. 1, shown again in use as part of an illustrative debris-collecting apparatus.

FIG. 5 is a side view of the airflow portion of debris-collecting apparatus of FIG. 1, shown again in use as part of an illustrative debris-collecting apparatus.

FIG. 6 is an opposite side view of the airflow portion of debris-collecting apparatus of FIG. 1, shown again in use as part of an illustrative debris-collecting apparatus.

FIG. 7 is a top view of the airflow portion of debris-collecting apparatus of FIG. 1, shown again in use as part of an illustrative debris-collecting apparatus.

FIG. 8 is an isometric view of the airflow portion of debris-collecting apparatus of FIG. 1, shown generally isolated.

FIG. 9 is a front view of the airflow portion of debris-collecting apparatus of FIG. 1, shown generally isolated.

FIG. 10 is a rear view of the airflow portion of debris-collecting apparatus of FIG. 1, shown generally isolated.

FIG. 11 is a side view of the airflow portion of debris-collecting apparatus of FIG. 1, shown generally isolated.

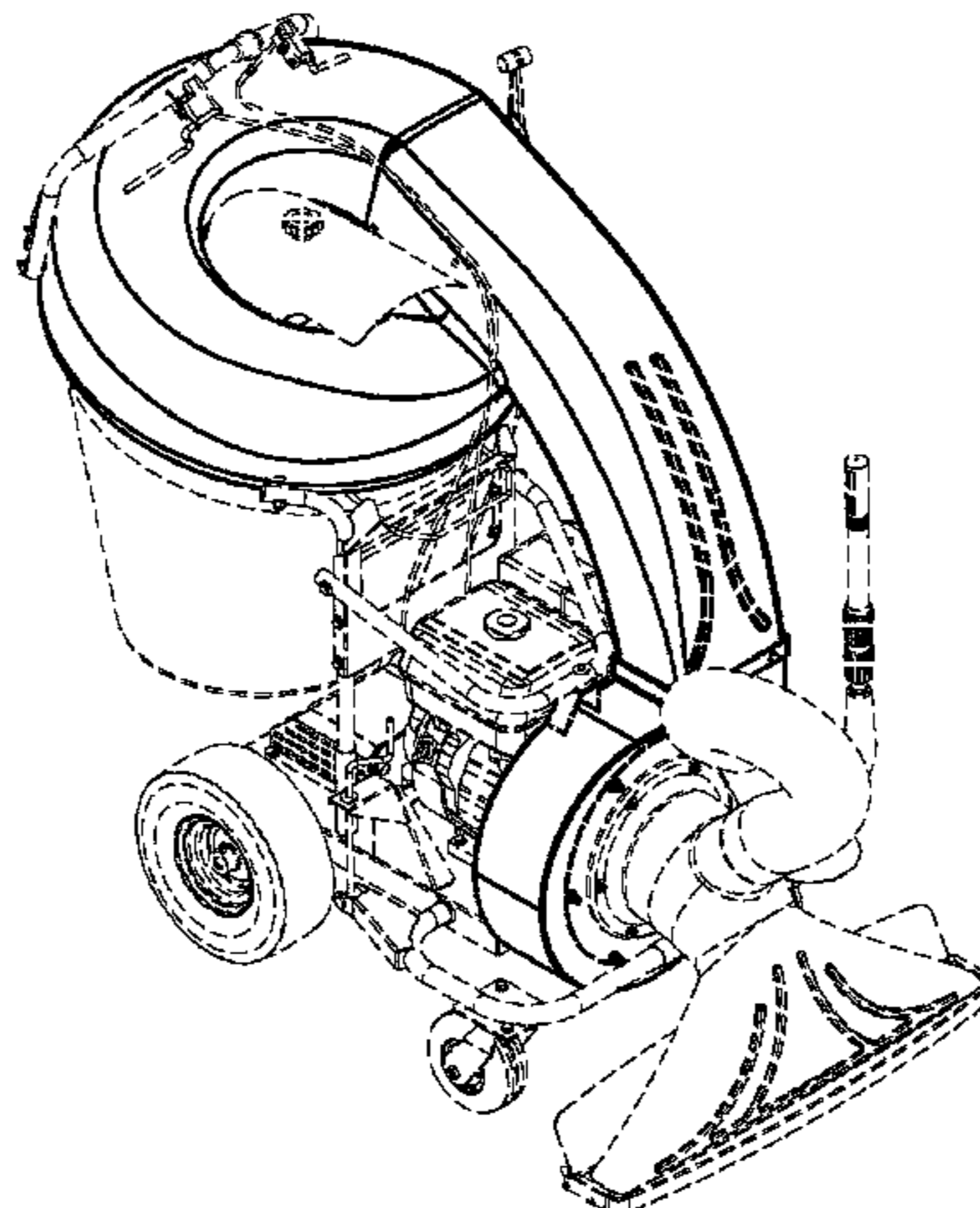
FIG. 12 is an opposite side view of the airflow portion of debris-collecting apparatus of FIG. 1, shown generally isolated.

FIG. 13 is a top view of the airflow portion of debris-collecting apparatus of FIG. 1, shown generally isolated; and,

FIG. 14 is a bottom view of the airflow portion of debris-collecting apparatus of FIG. 1, shown generally isolated.

All of the broken lines in the accompanying drawings illustrate environmental structure and form no part of the claimed design.

**1 Claim, 14 Drawing Sheets**



(56)

**References Cited**

U.S. PATENT DOCUMENTS

3,353,340	A *	11/1967	Carsey .....	55/341.1	8,034,192	B2 *	10/2011	Ringer et al. ....	15/347
4,246,013	A *	1/1981	Truhan et al. ....	15/300.1	D651,775	S *	1/2012	Cheng .....	D32/21
D294,031	S *	2/1988	Hosonuma .....	D15/14	D693,851	S *	11/2013	Fujiwara .....	D15/11
D306,787	S *	3/1990	Candella .....	D32/31	2005/0279061	A1 *	12/2005	Broughton .....	55/345
5,390,865	A *	2/1995	Vandermolen et al. ....	D15/10	2008/0196196	A1 *	8/2008	Conrad .....	15/300.1
					2009/0104033	A1 *	4/2009	Rappin .....	15/300.1
					2013/0115863	A1 *	5/2013	Mizutani et al. ....	15/246

\* cited by examiner

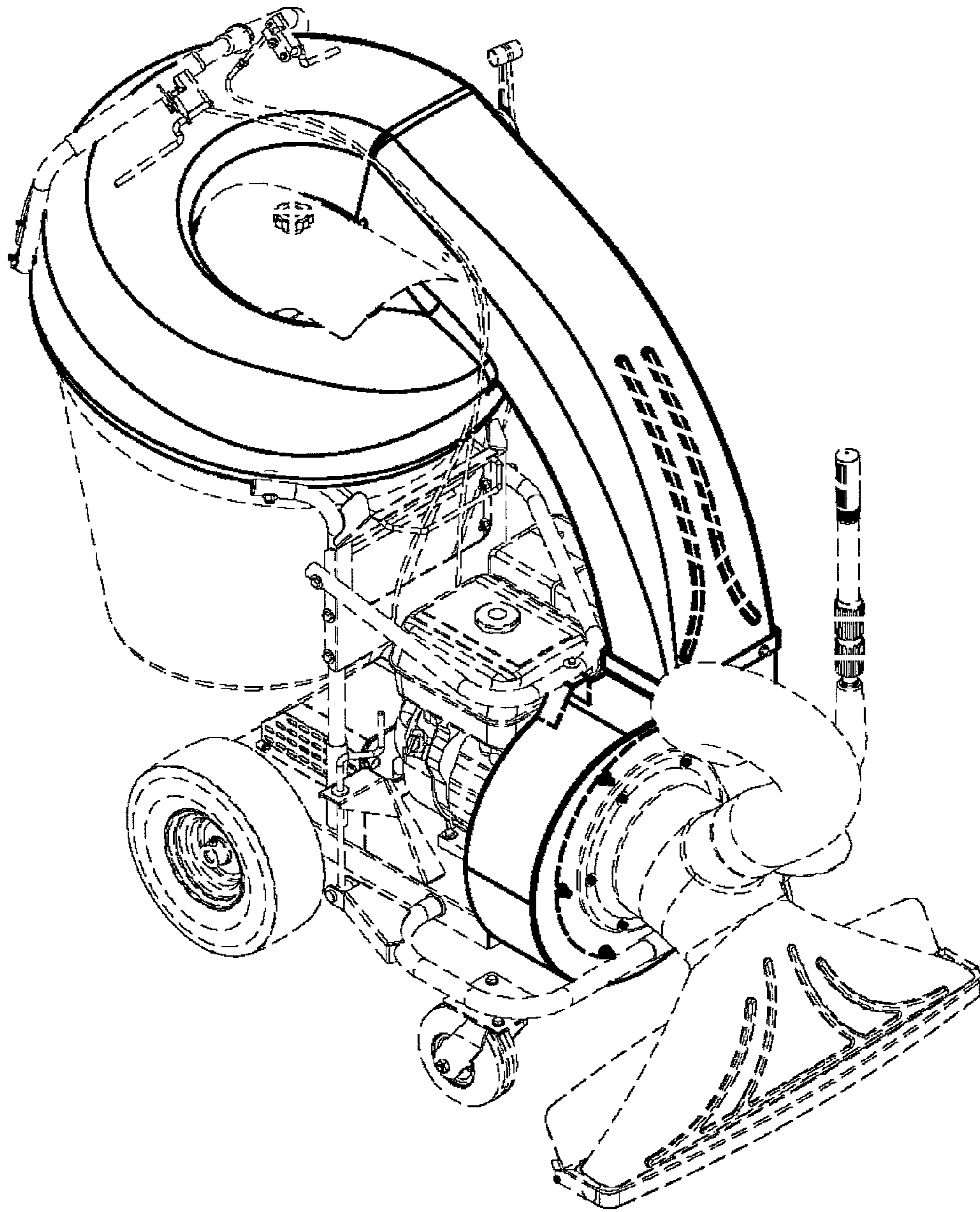


FIG. 1

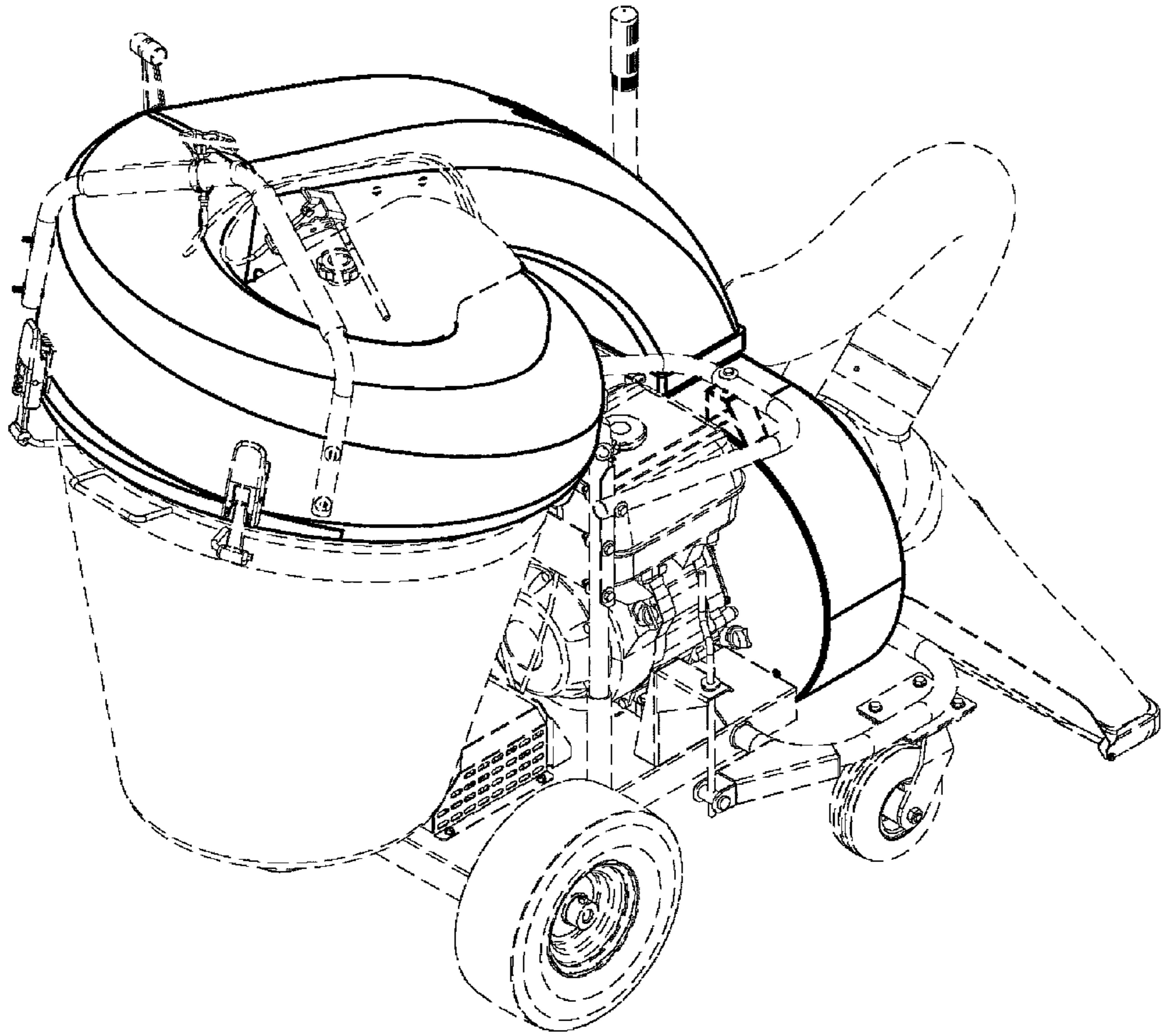


FIG. 2

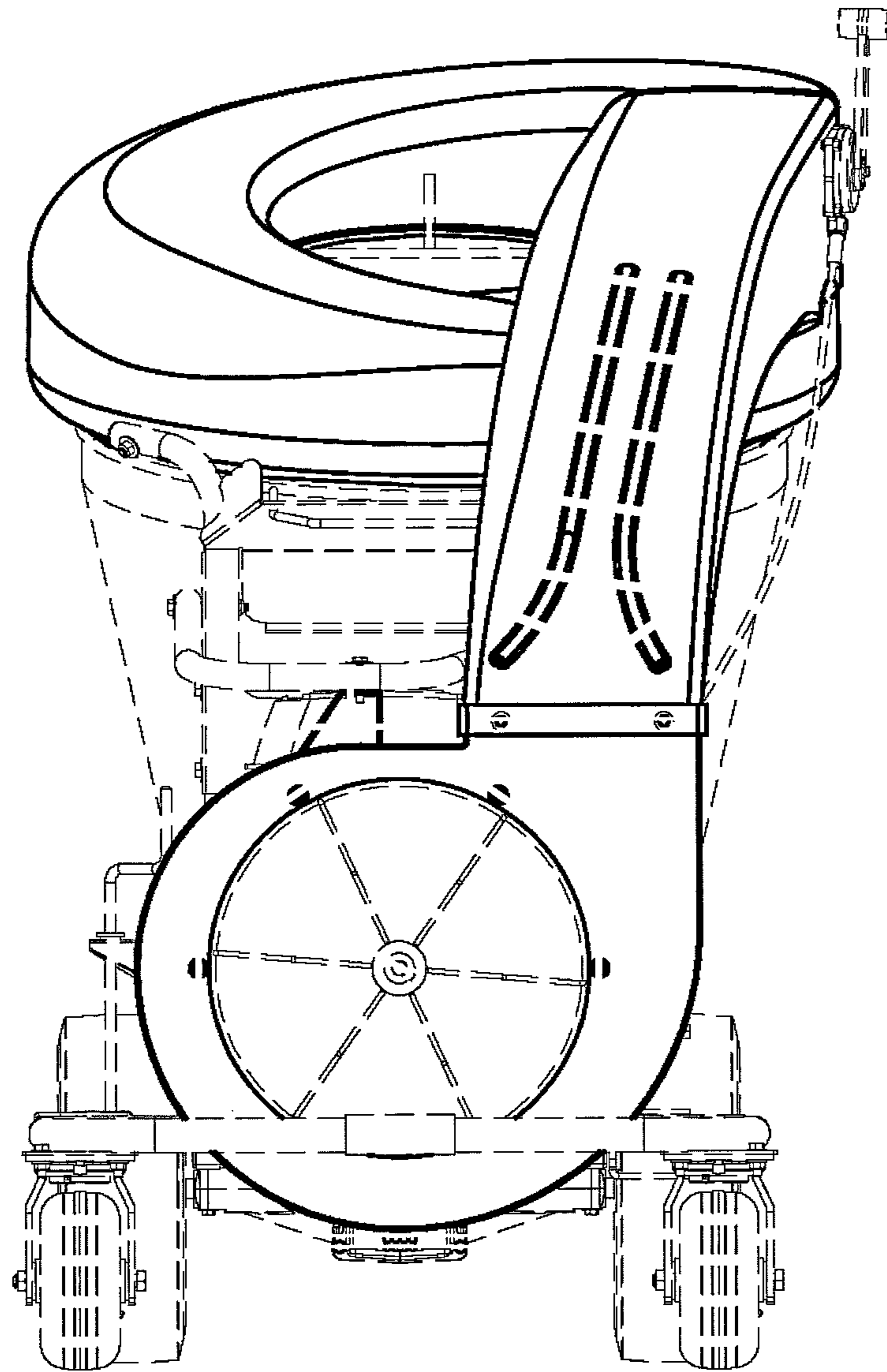


FIG. 3

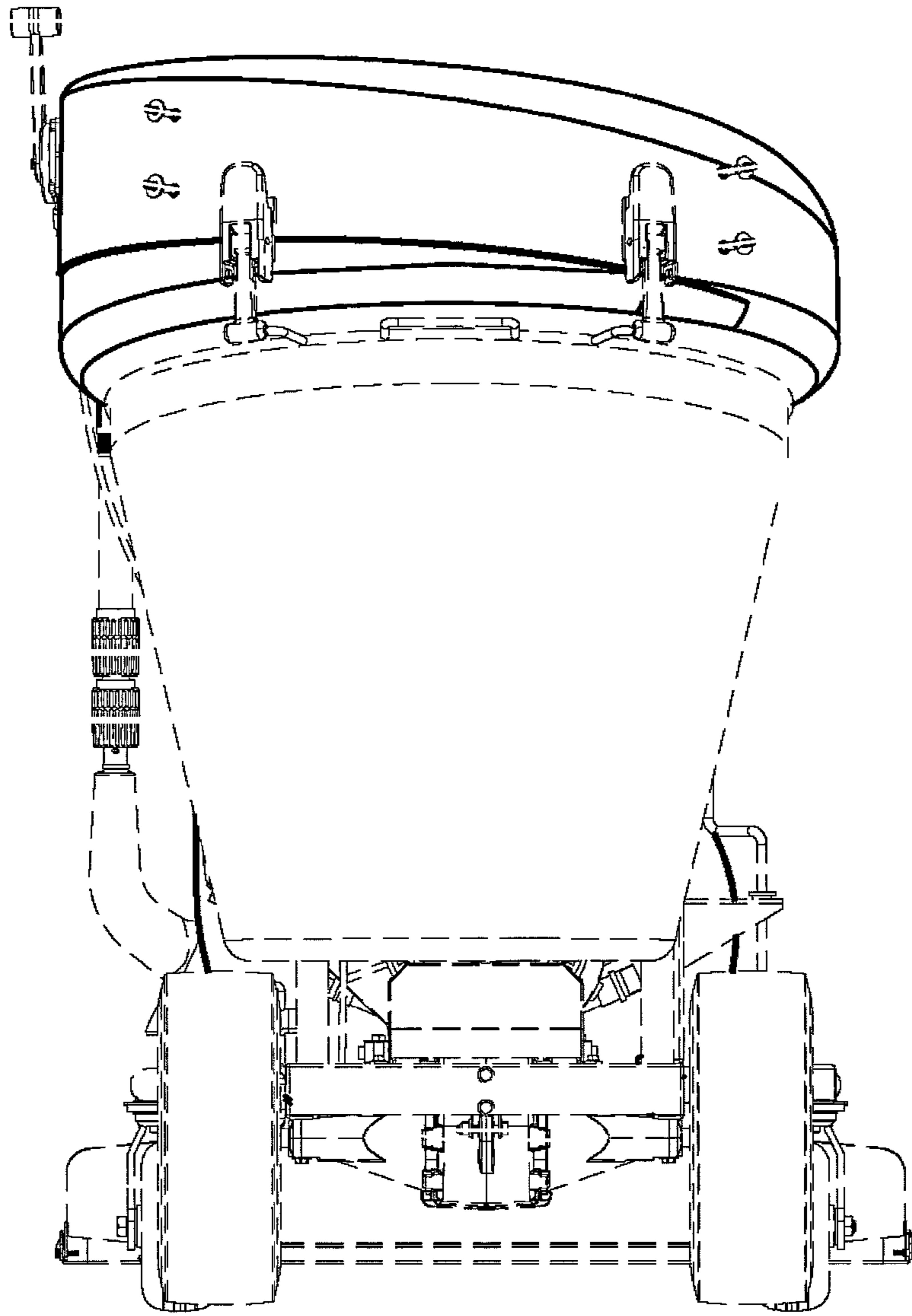


FIG. 4

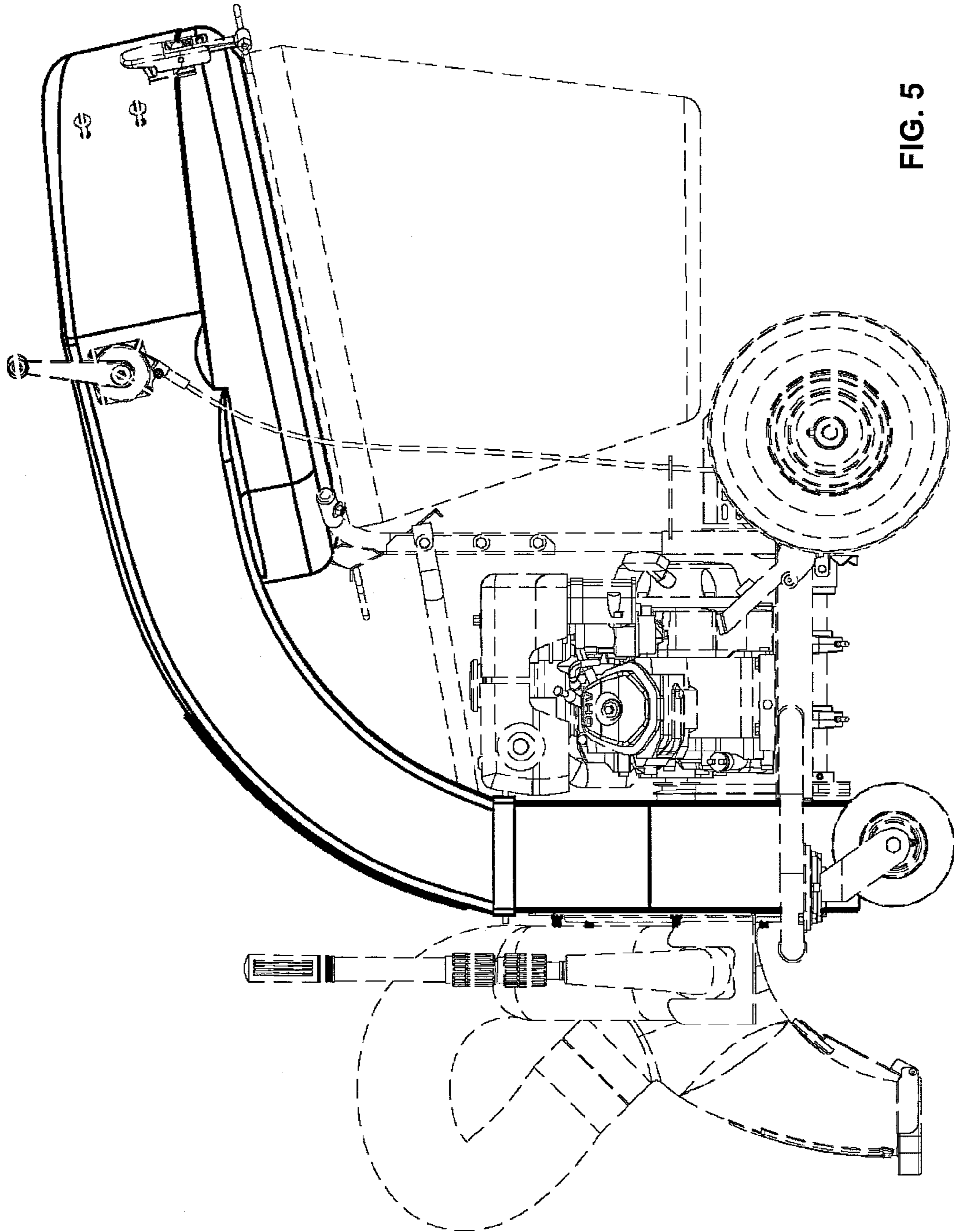


FIG. 5

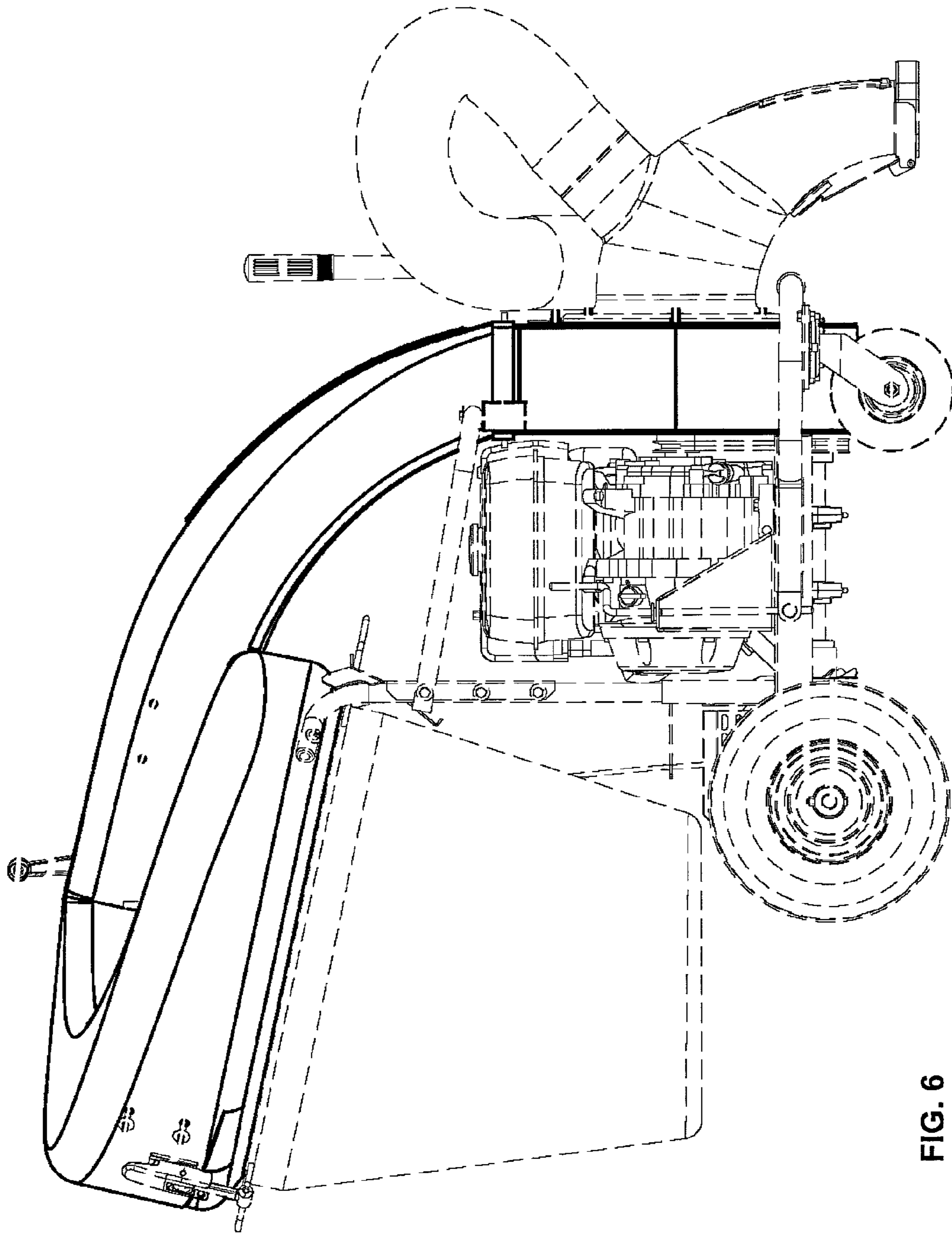


FIG. 6



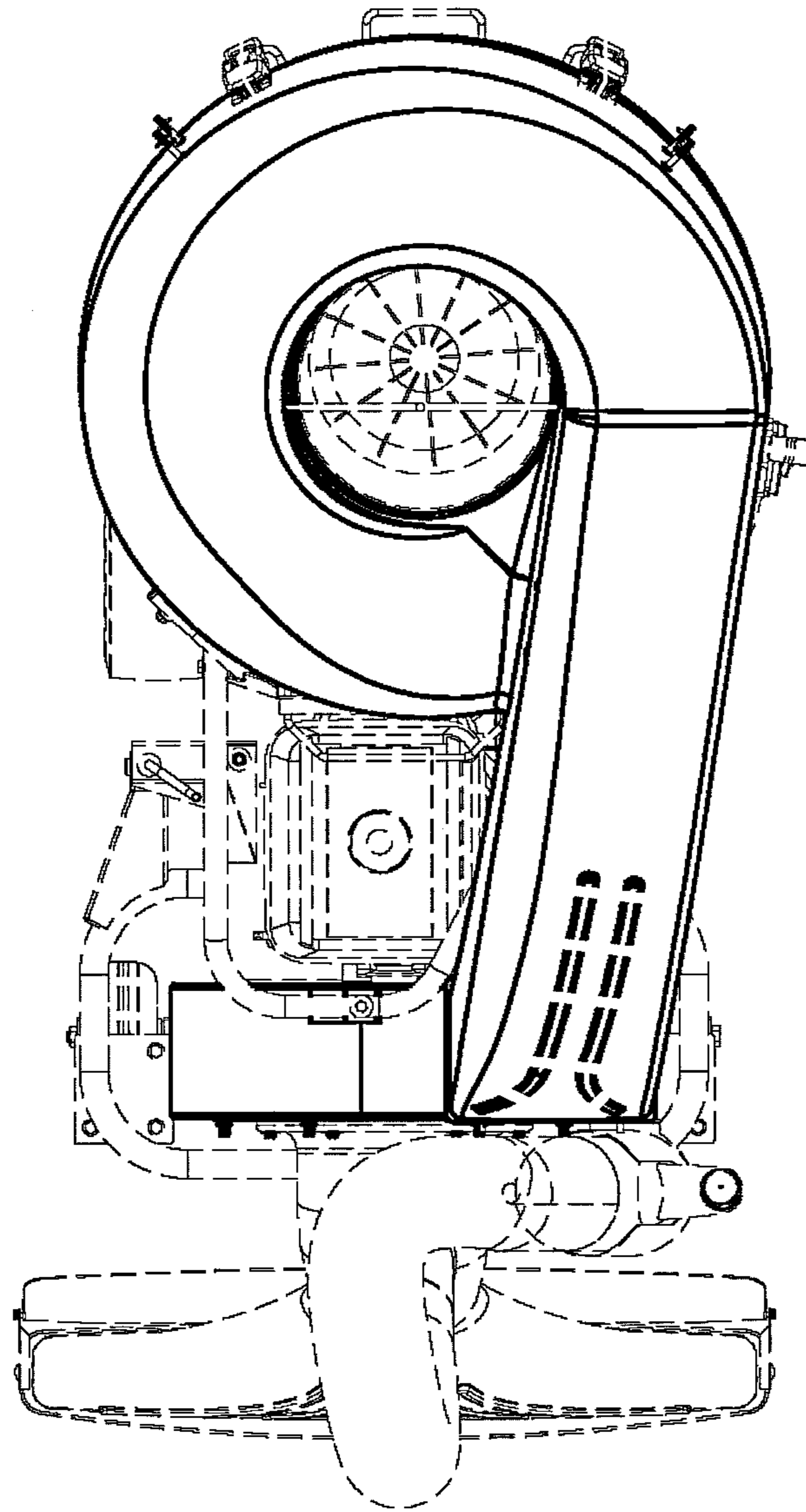


FIG. 7

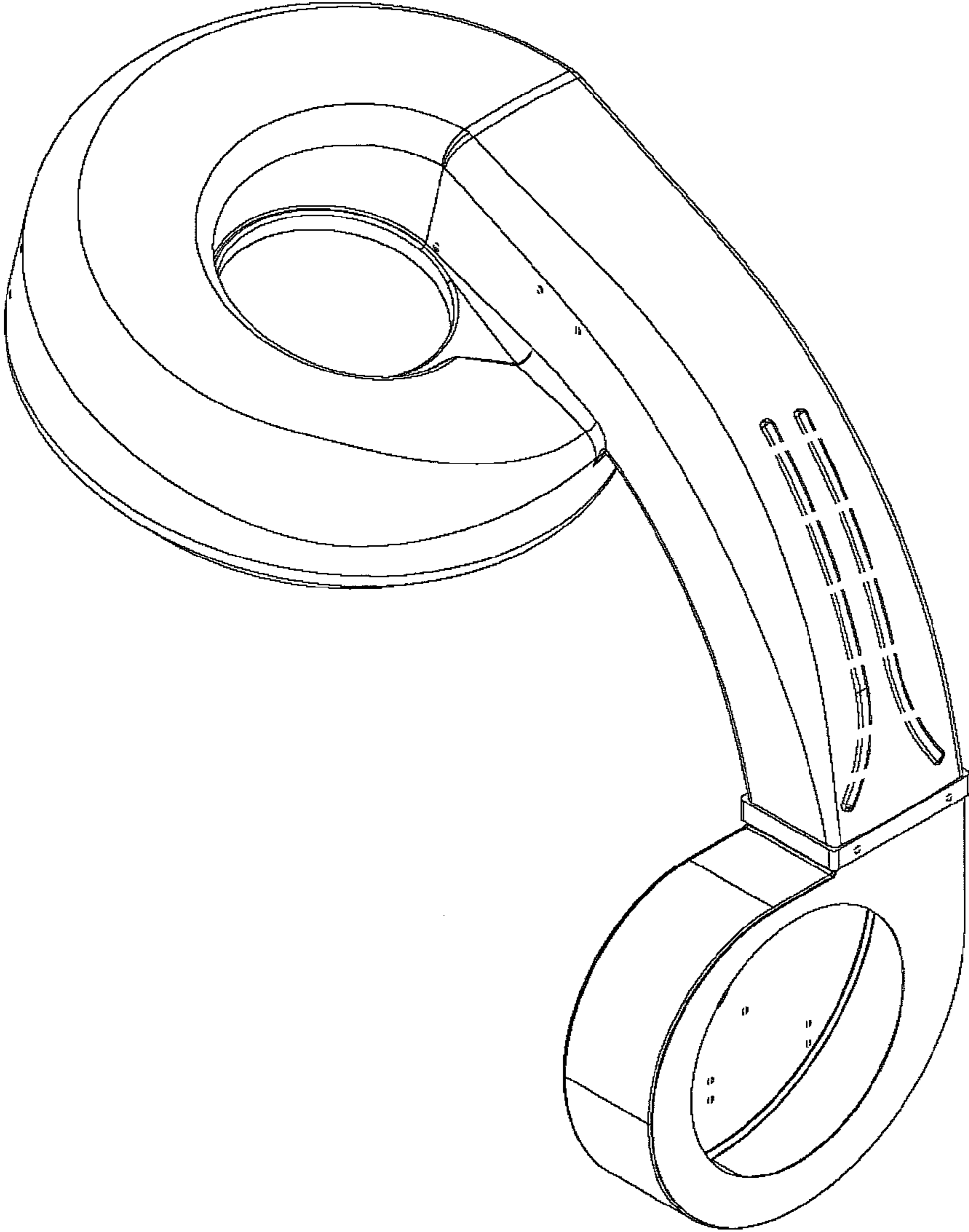


FIG. 8

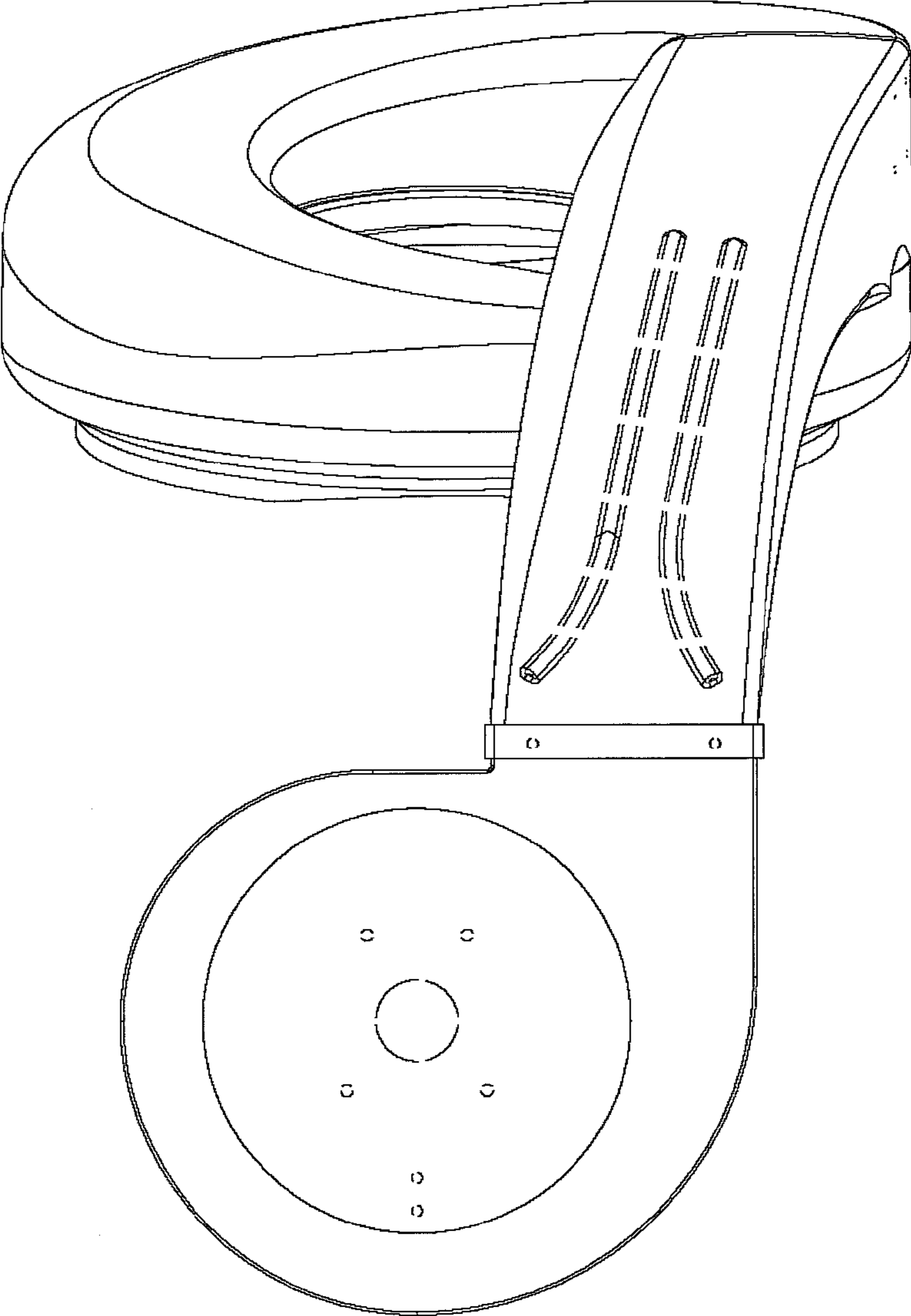


FIG. 9

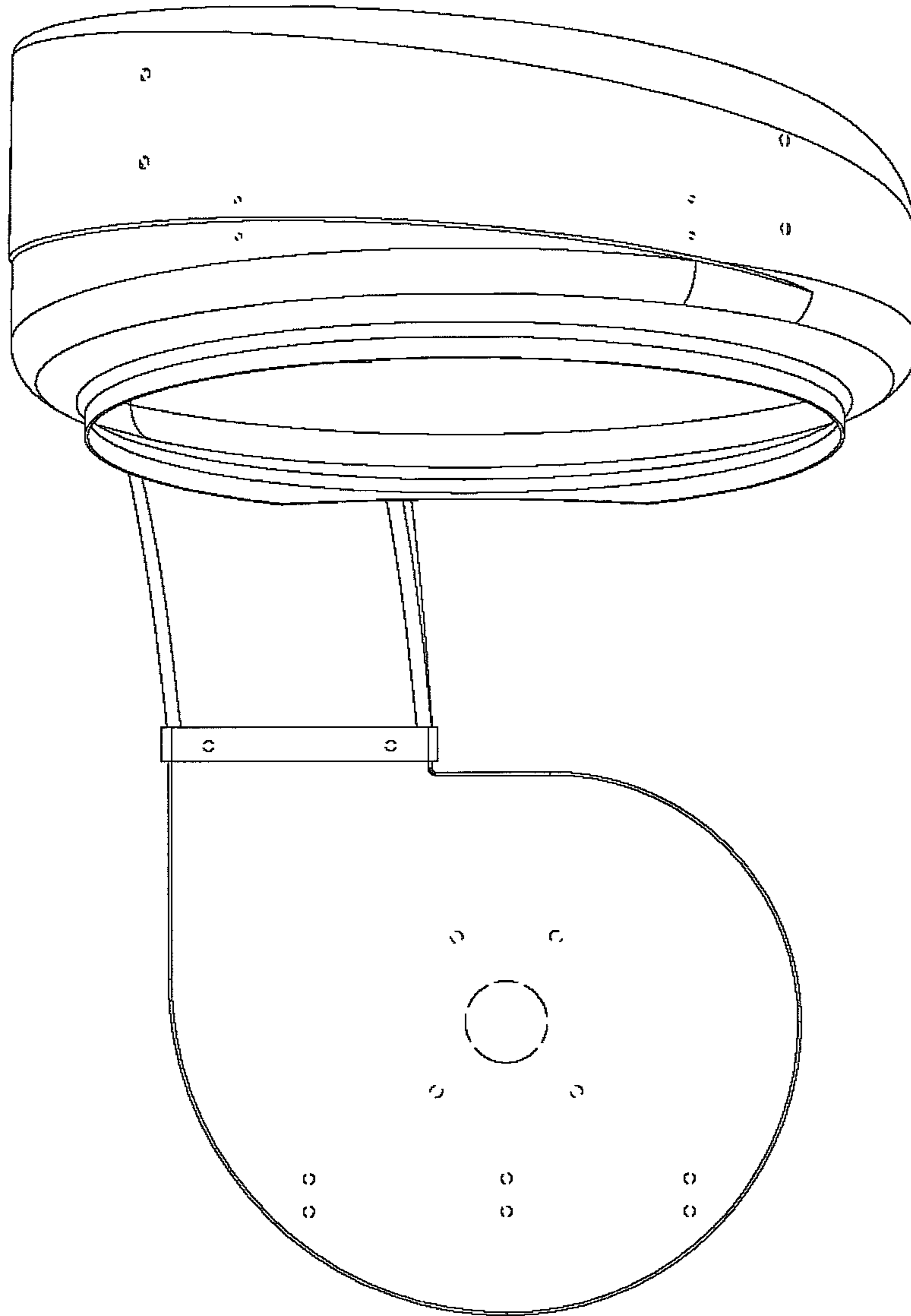


FIG. 10

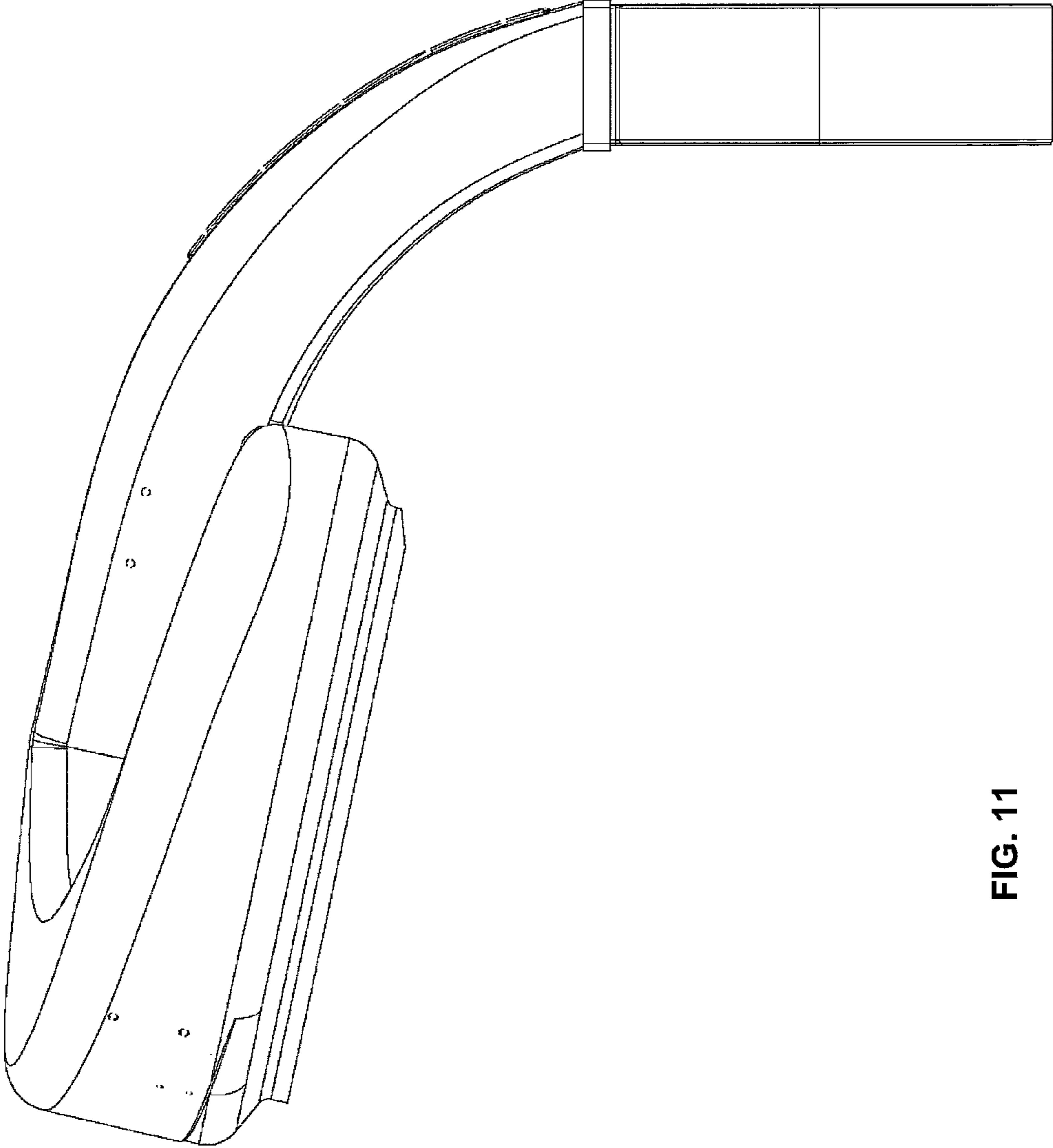


FIG. 11

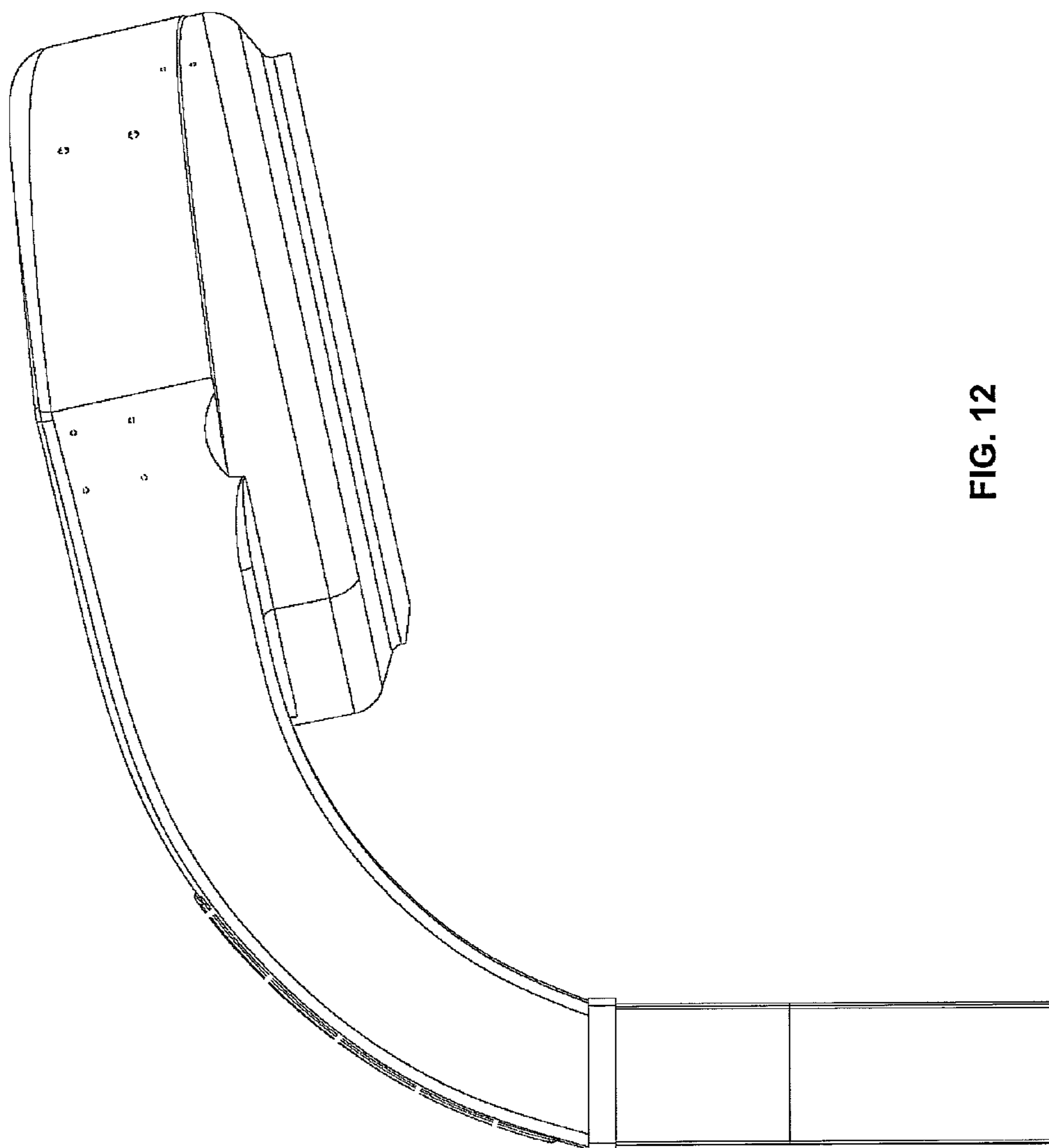


FIG. 12

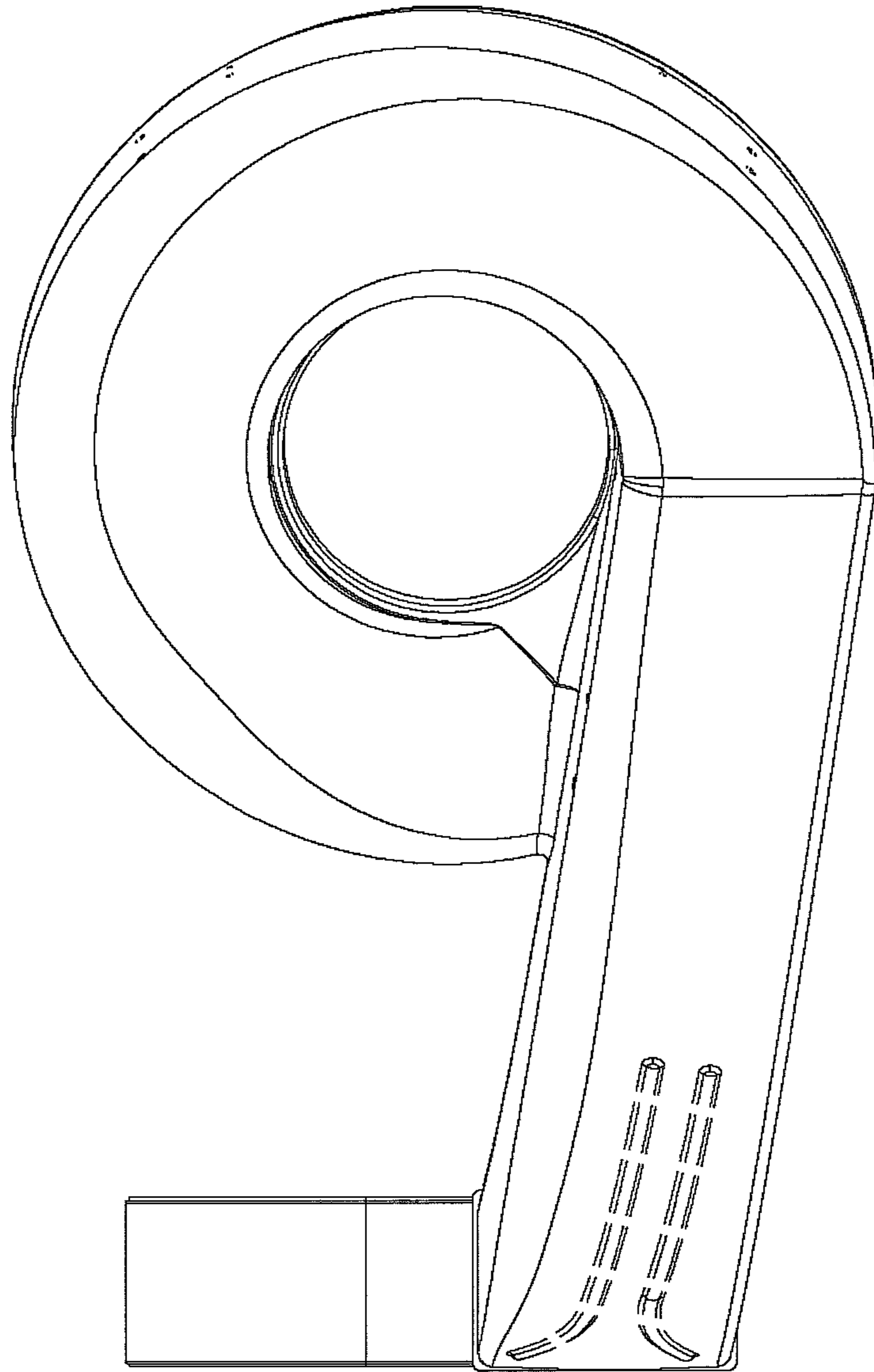


FIG. 13

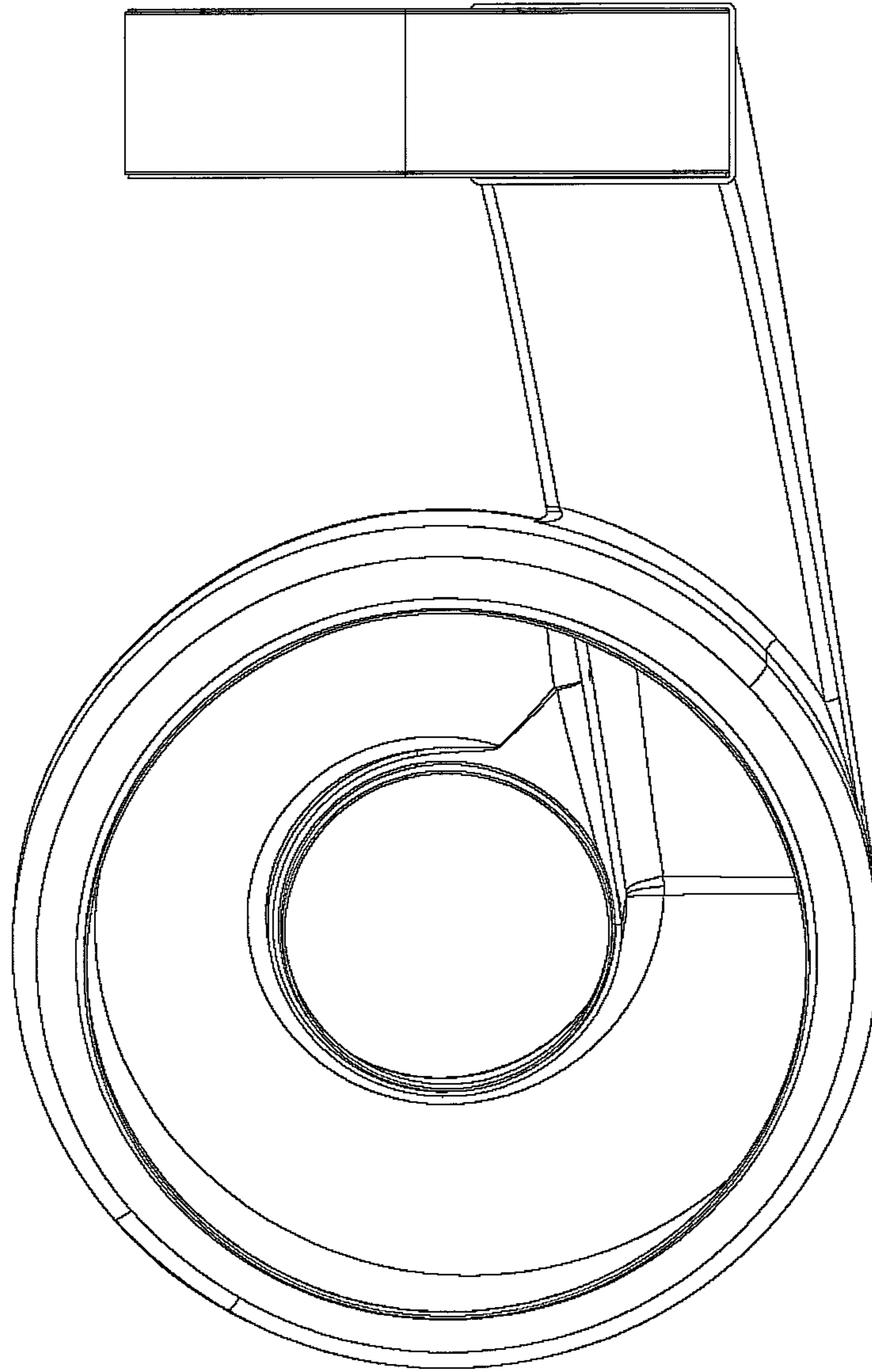


FIG. 14