



US00D702900S

(12) **United States Design Patent**
Kahan et al.

(10) **Patent No.:** **US D702,900 S**
(45) **Date of Patent:** **** Apr. 15, 2014**

- (54) **PRESSURE WASHER**
- (71) Applicants: **Stewart Kahan**, Dorval (CA); **Patrice Guillemain**, Outremont (CA)
- (72) Inventors: **Stewart Kahan**, Dorval (CA); **Patrice Guillemain**, Outremont (CA)
- (73) Assignee: **Powerplay Corporation**, Mississauga, Ontario (CA)

7,475,888	B2 *	1/2009	Craig et al.	280/47.18
7,562,780	B2 *	7/2009	Gilpatrick et al.	211/70.6
7,604,246	B2 *	10/2009	Sodemann et al.	280/47.24
D634,083	S *	3/2011	Fay	D32/15
7,927,033	B2 *	4/2011	Gansebom et al.	401/139
D639,001	S *	5/2011	Alexander et al.	D32/15
7,975,856	B2 *	7/2011	Gilpatrick et al.	211/70.6
2006/0038034	A1 *	2/2006	Hillary	239/146
2006/0083634	A1 *	4/2006	Dexter et al.	417/380
2006/0102745	A1 *	5/2006	Dexter	239/146
2012/0234938	A1 *	9/2012	Bearup et al.	239/147
2012/0234939	A1 *	9/2012	Bearup et al.	239/147

(**) Term: **14 Years**

* cited by examiner

(21) Appl. No.: **29/432,733**

Primary Examiner — T. Chase Nelson

(22) Filed: **Sep. 19, 2012**

Assistant Examiner — Kathleen M Sims

(30) **Foreign Application Priority Data**

Jul. 17, 2012 (CA) 146581

(51) **LOC (10) Cl.** **15-05**

(52) **U.S. Cl.**
USPC **D32/16**

(58) **Field of Classification Search**
USPC D32/1, 4, 15-18, 21; D23/223, 225,
D23/226; 15/320-323, 340.1, 340.2;
239/146-149, 722; 417/360, 363, 364
See application file for complete search history.

(56) **References Cited**

U.S. PATENT DOCUMENTS

D375,590	S *	11/1996	Steinhart et al.	D32/15
D499,848	S *	12/2004	Leasure	D32/15
6,935,642	B1 *	8/2005	Craig et al.	280/47.24
7,316,286	B2 *	1/2008	Hillary	180/291

(74) *Attorney, Agent, or Firm* — Blakely Sokoloff Taylor & Zafman

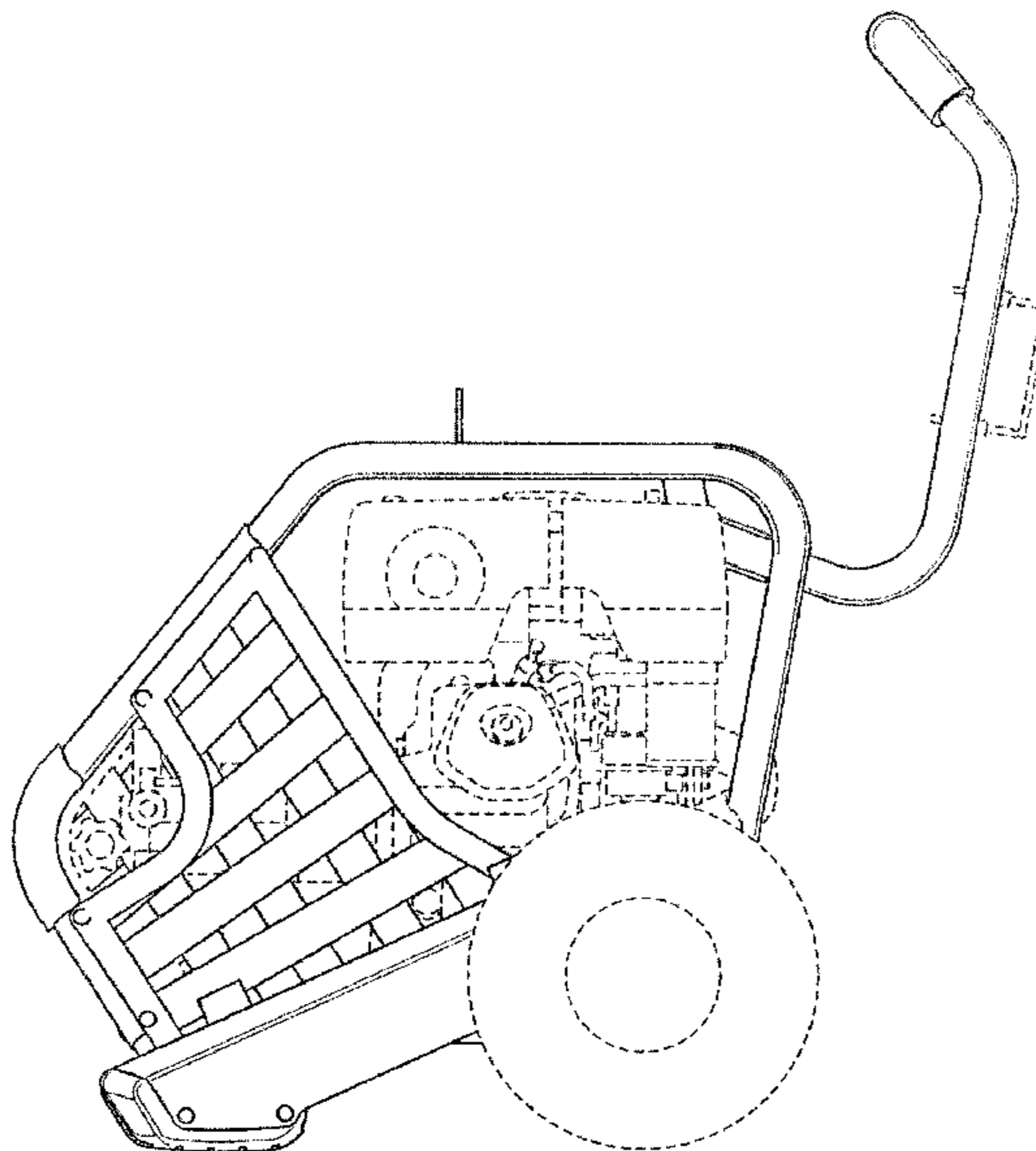
(57) **CLAIM**

The ornamental design for a pressure washer, as shown and described.

DESCRIPTION

FIG. 1: shows a first side elevational view of a pressure washer showing the design;
FIG. 2: shows a rear elevational view thereof;
FIG. 3: shows a second side elevational view thereof;
FIG. 4: shows a front elevational view thereof;
FIG. 5: shows a top plan view thereof; and,
FIG. 6: shows a bottom plan thereof.
The broken line showing of details in FIGS. 1-6 is included for the purpose of showing environmental portions of the pressure washer and forms no part of the claimed design.

1 Claim, 6 Drawing Sheets



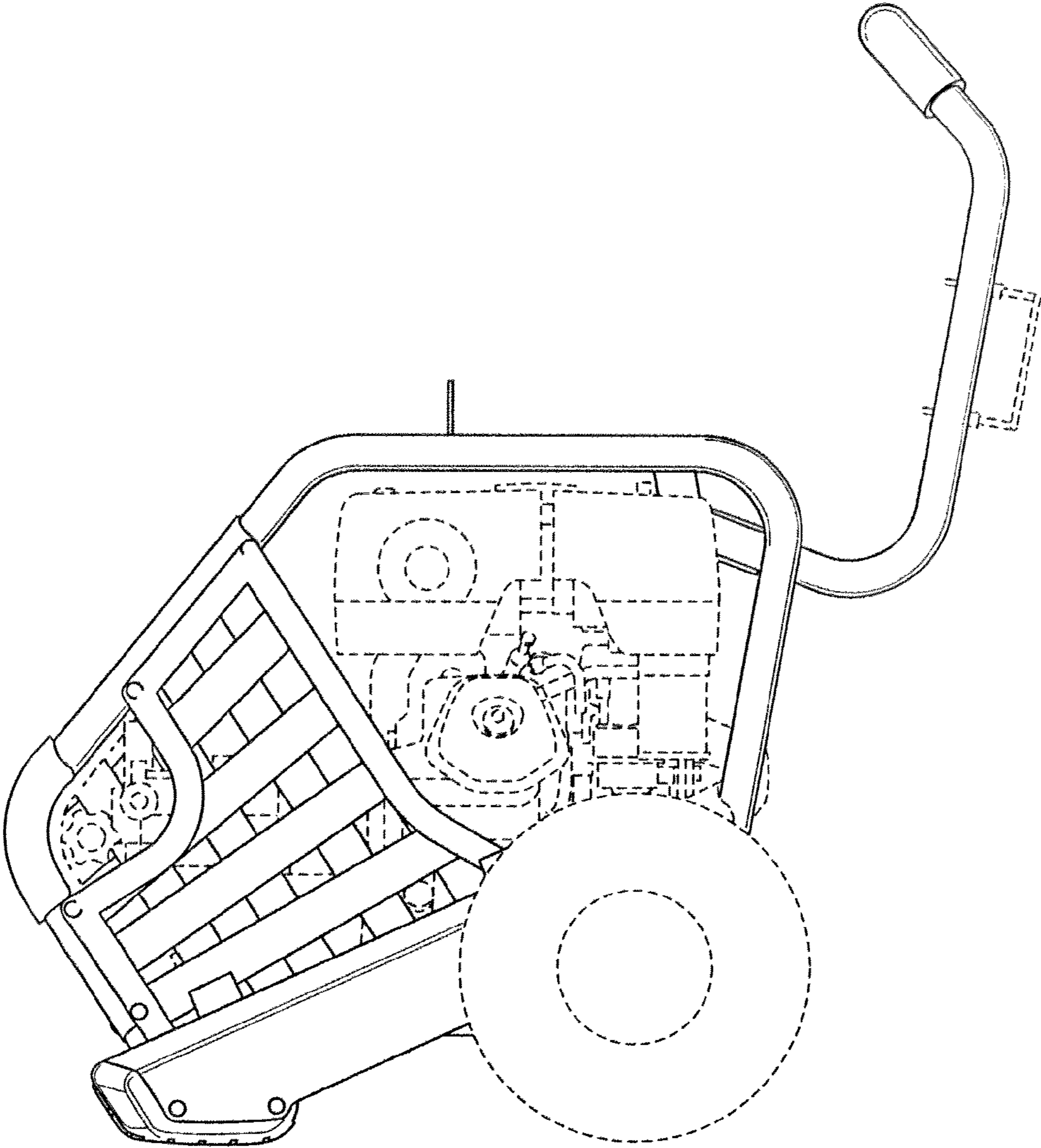


FIG. 1

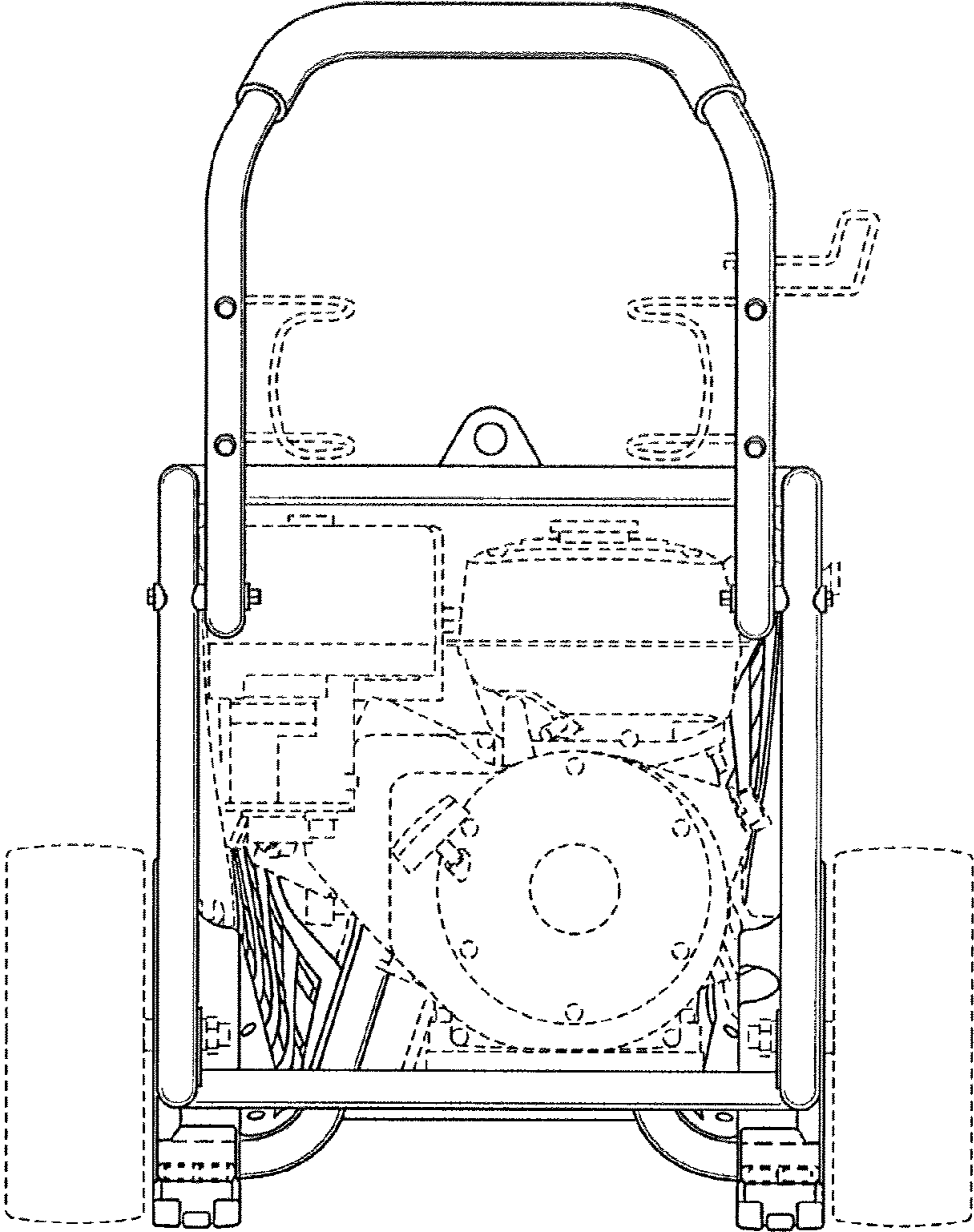


FIG. 2

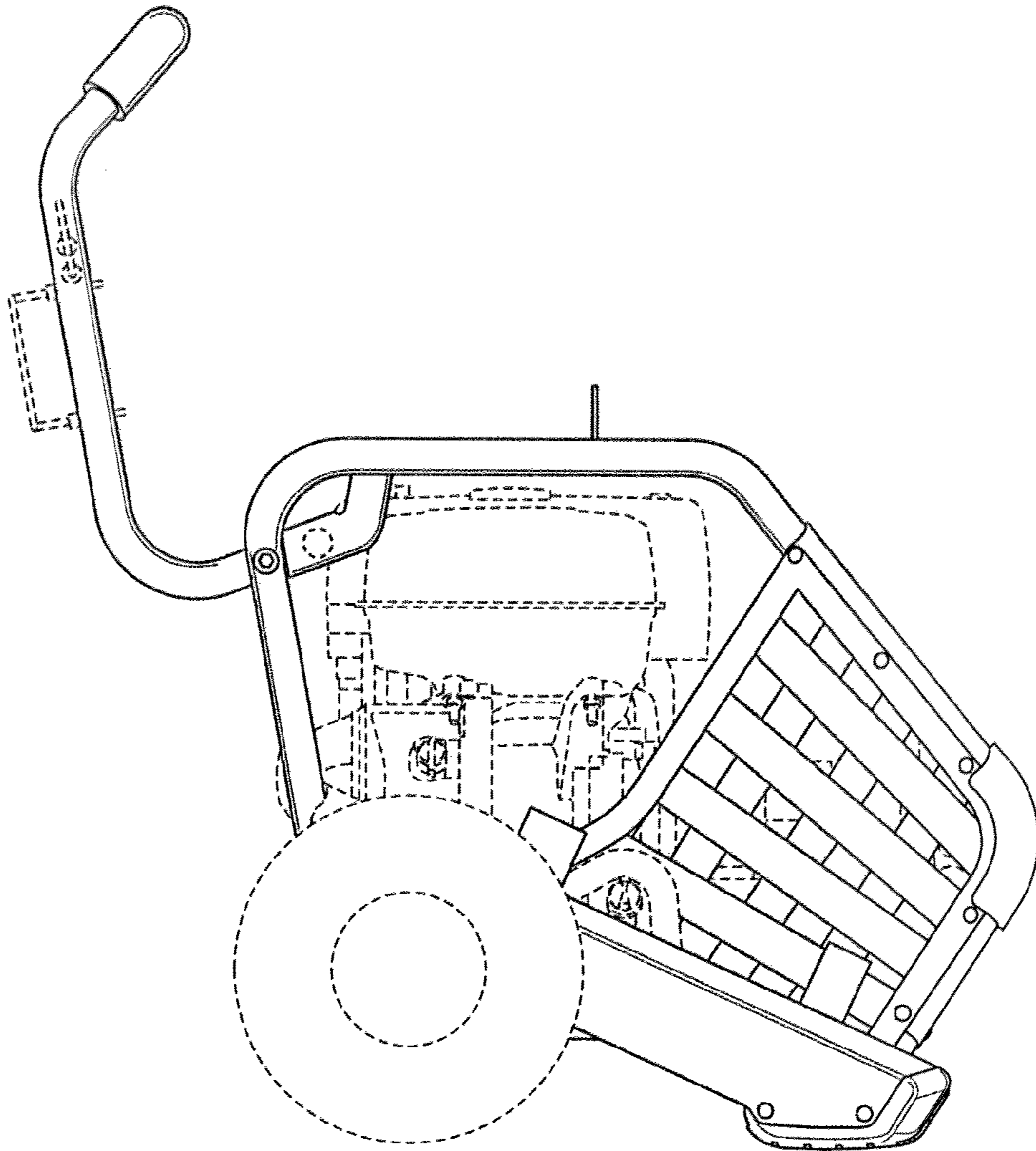


FIG. 3

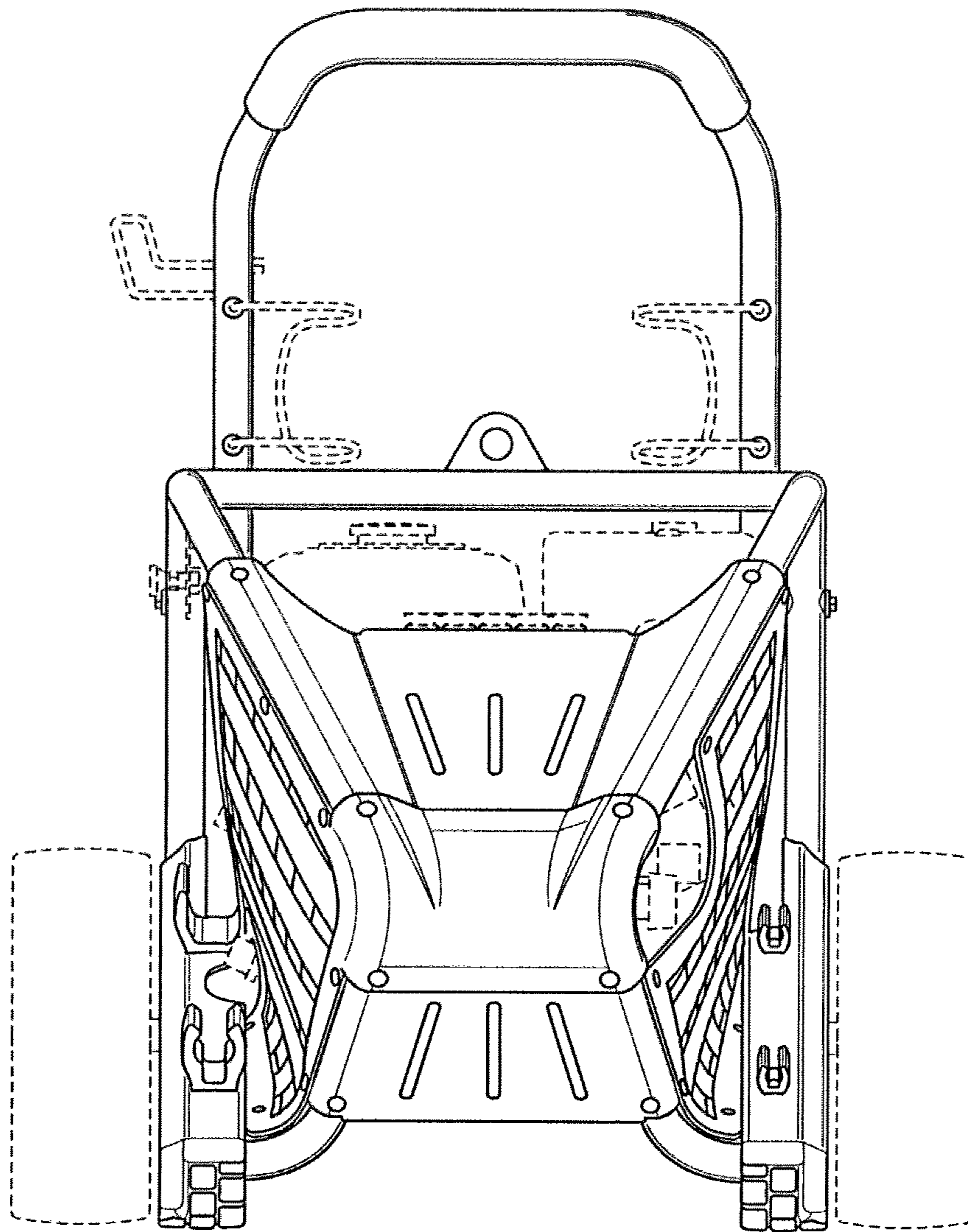


FIG. 4

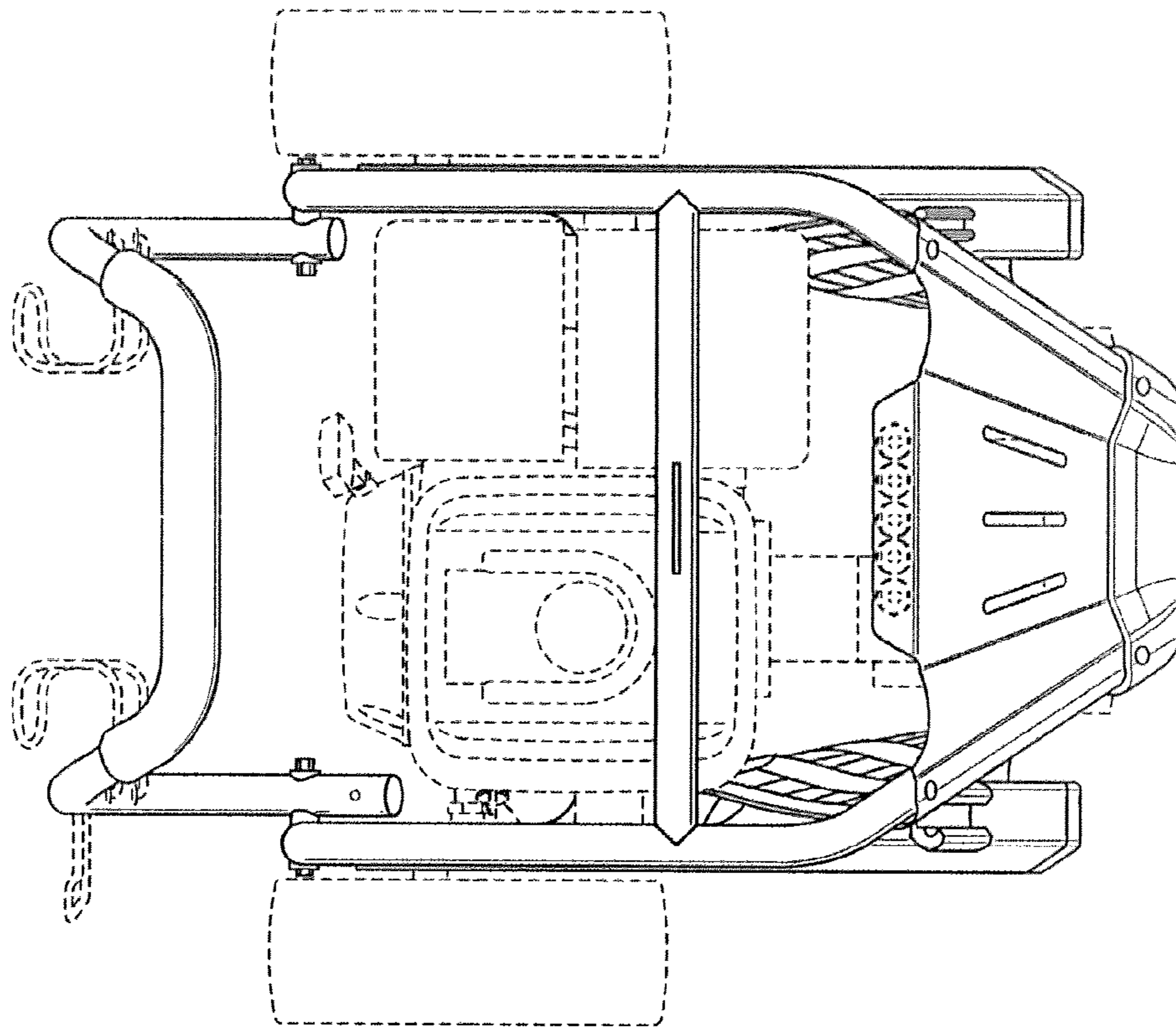


FIG. 5

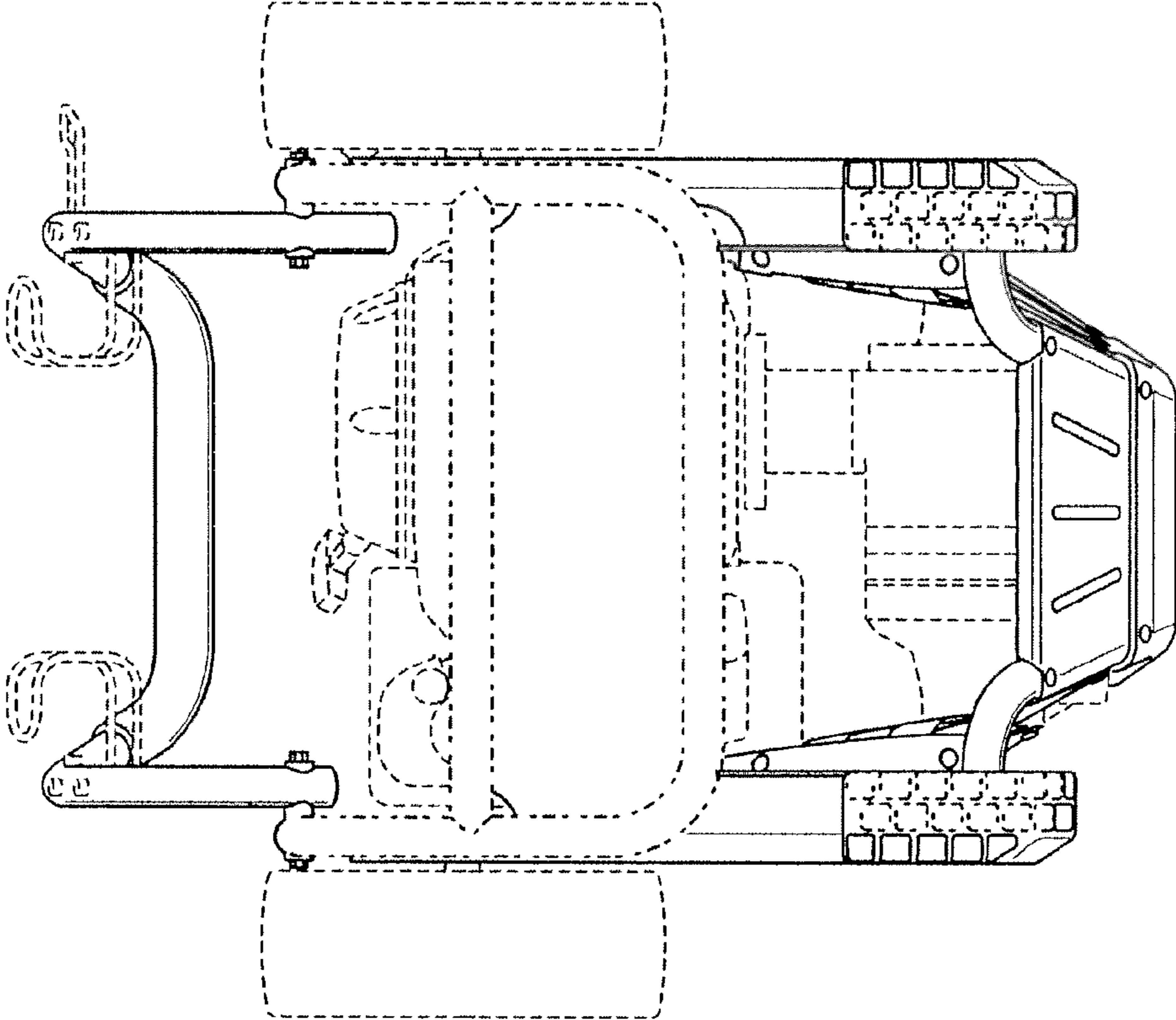


FIG. 6