



US00D702898S

(12) **United States Design Patent**
Eng et al.

(10) **Patent No.:** **US D702,898 S**
(45) **Date of Patent:** **** *Apr. 15, 2014**

- (54) **DISHWASHER DOOR**
- (71) Applicant: **BSH Home Appliances Corporation**,
Irvine, CA (US)
- (72) Inventors: **Lindsay Eng**, Long Beach, CA (US);
Thomas Ott, Neubiberg (DE)
- (73) Assignee: **BSH Home Appliances Corporation**,
Irvine, CA (US)
- (*) Notice: This patent is subject to a terminal disclaimer.
- (**) Term: **14 Years**
- (21) Appl. No.: **29/451,788**
- (22) Filed: **Apr. 9, 2013**

Related U.S. Application Data

- (62) Division of application No. 29/425,994, filed on Jun. 29, 2012, now Pat. No. Des. 684,736, which is a division of application No. 29/403,661, filed on Oct. 10, 2011, now Pat. No. Des. 668,403.
- (51) **LOC (10) Cl.** **15-05**
- (52) **U.S. Cl.**
USPC **D32/3**
- (58) **Field of Classification Search**
USPC D32/1-3, 25, 28; 312/31, 109, 228;
134/56 D, 57 D, 58 D, 58 DL, 201;
D7/340, 348-350, 405
See application file for complete search history.

(56) **References Cited**

U.S. PATENT DOCUMENTS

- 5,365,959 A * 11/1994 Favaro 134/113
- D385,070 S * 10/1997 Hughes et al. D32/3
- D424,257 S * 5/2000 Umeda et al. D32/2
- 6,893,061 B2 * 5/2005 Miller et al. 292/303
- D539,992 S * 4/2007 Yamamoto et al. D32/2

- 7,216,944 B2 * 5/2007 Oyler et al. 312/311
- D544,657 S * 6/2007 Jung et al. D32/2
- D577,869 S * 9/2008 Tartan et al. D32/2
- D613,467 S * 4/2010 Park et al. D32/6
- D627,937 S * 11/2010 Kim D32/2
- D665,957 S * 8/2012 Eng et al. D32/2

(Continued)

Primary Examiner — T. Chase Nelson

Assistant Examiner — Kathleen M Sims

(74) *Attorney, Agent, or Firm* — James E. Howard; Andre Pallapies

(57) **CLAIM**

The ornamental design for a dishwasher door, as shown and described.

DESCRIPTION

FIG. 1 is a front perspective view, from the top, of a dishwasher door according to a first embodiment showing our new ornamental design;

FIG. 2 is a front view thereof;

FIG. 3 is a top view thereof;

FIG. 4 is a left side view thereof, with the right side view thereof being a mirror image thereof;

FIG. 5 is a front perspective view thereof taken from the bottom;

FIG. 6 is a front perspective view, from the top, of a dishwasher door according to a second embodiment showing our new ornamental design;

FIG. 7 is a top view thereof;

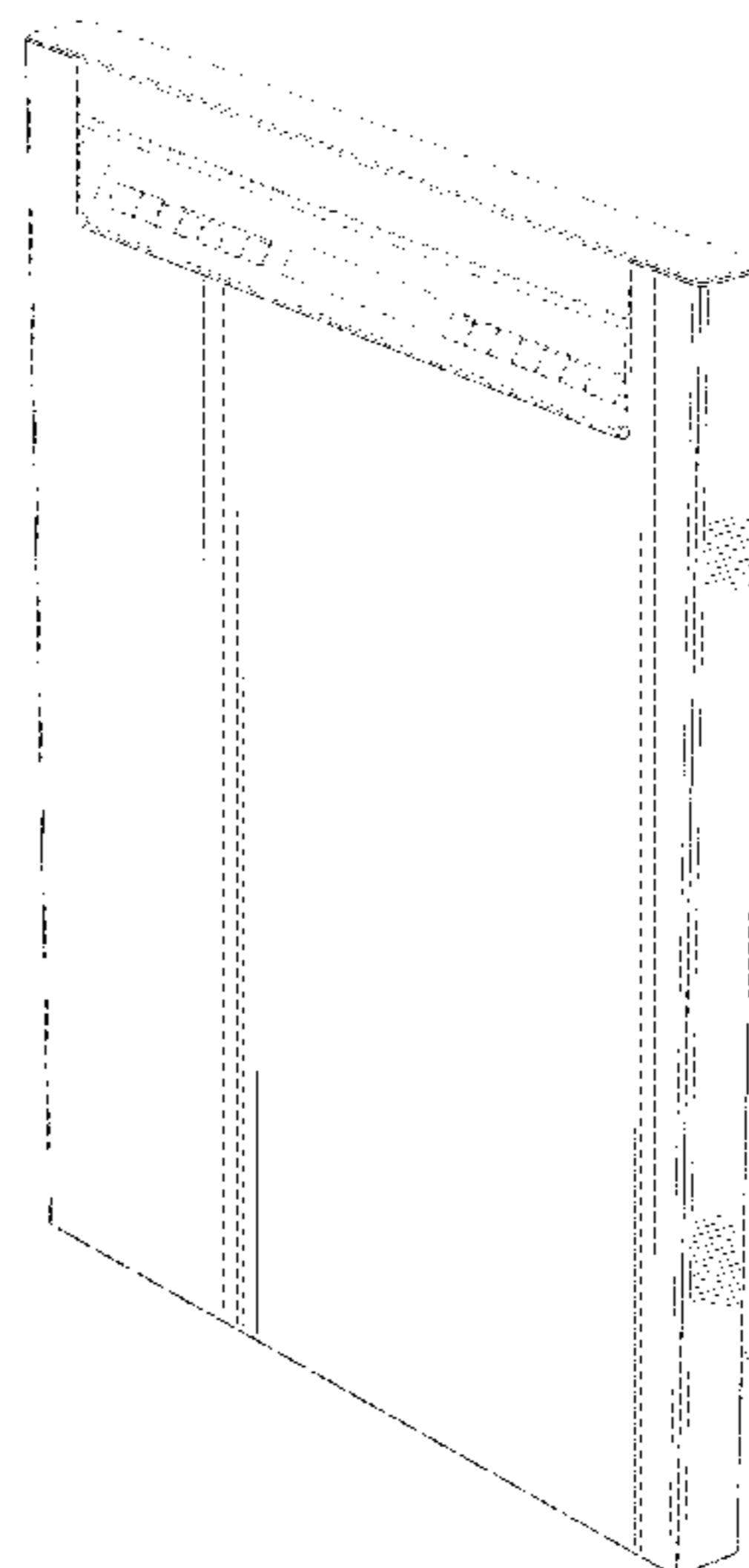
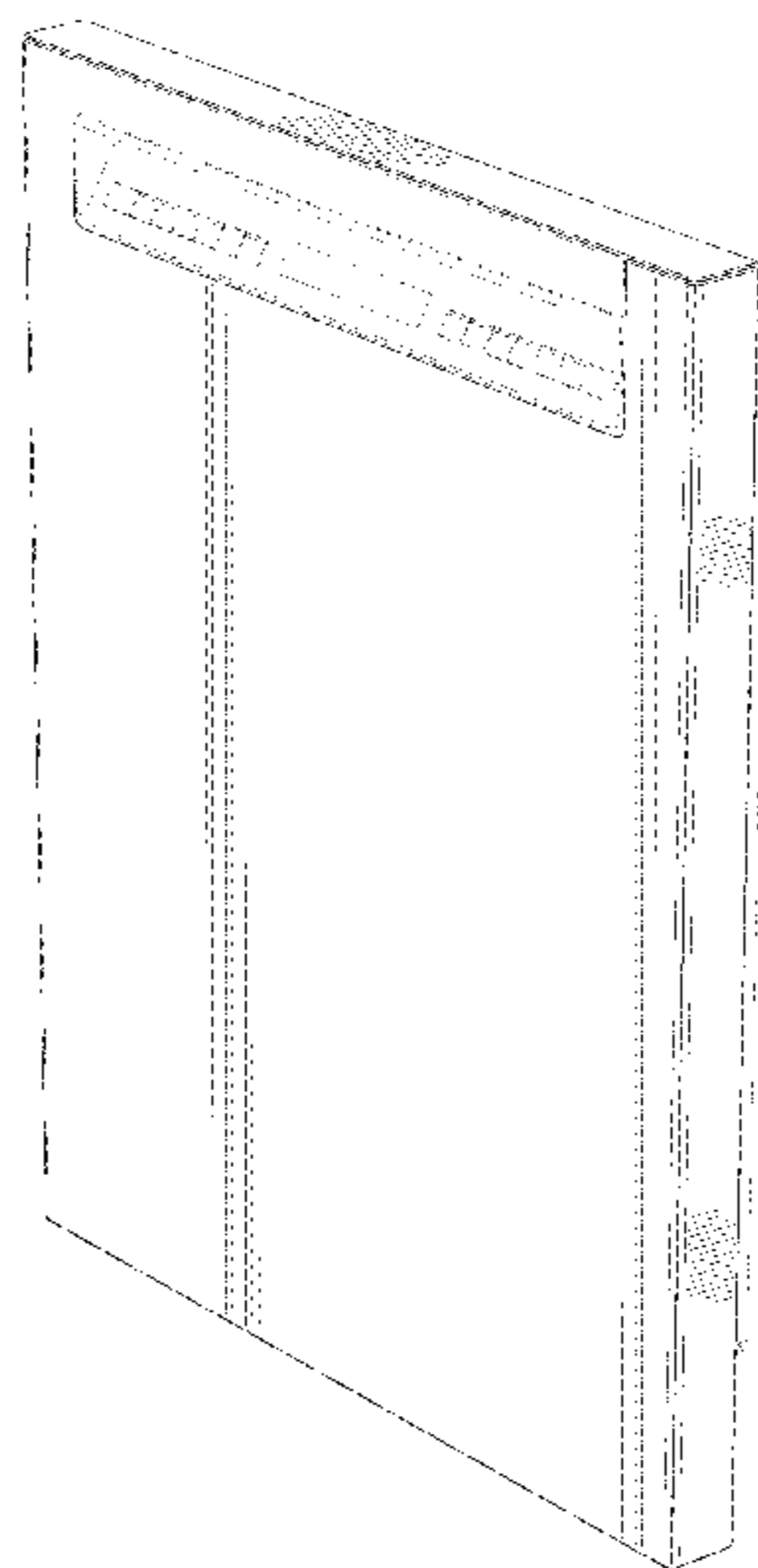
FIG. 8 is a left side view thereof, with the right hand side view thereof being a mirror image thereof; and,

FIG. 9 is a reverse perspective view thereof, taken from the bottom.

The broken lines of the dishwasher door show surrounding structure or environment and do not form part of the claimed design.

The bottom and rear parts of the dishwasher door are unornamented and form no part of the claimed design.

1 Claim, 8 Drawing Sheets



(56)

References Cited

U.S. PATENT DOCUMENTS

D667,596 S *	9/2012	Berberet	D32/3	D668,404 S *	10/2012	Eng et al.	D32/3
D668,402 S *	10/2012	Eng et al.	D32/3	D670,457 S *	11/2012	Eng	D32/3
D668,403 S *	10/2012	Eng et al.	D32/3	D673,742 S *	1/2013	Eng et al.	D32/2
				2003/0030288 A1 *	2/2003	Miller et al.	292/303

* cited by examiner

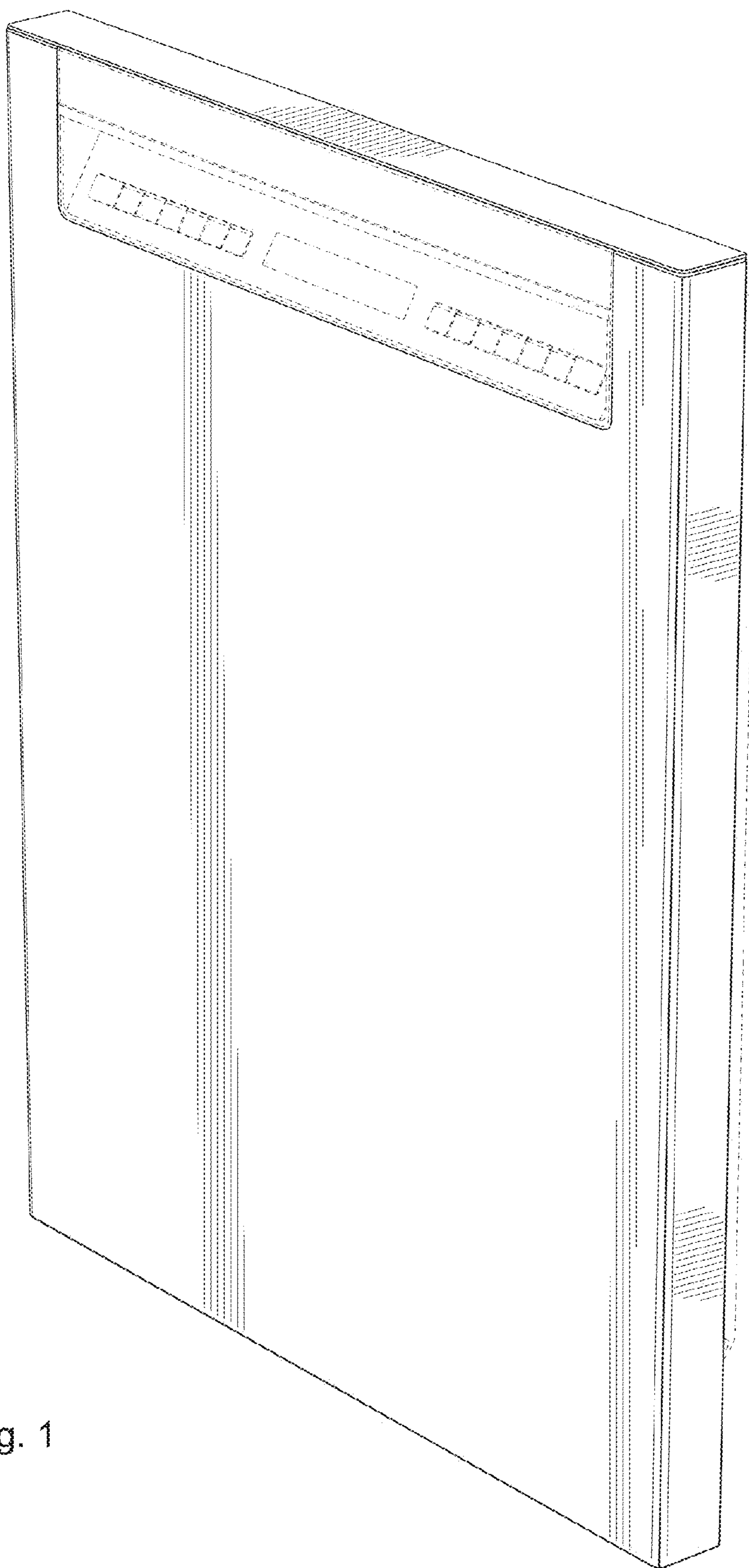


Fig. 1

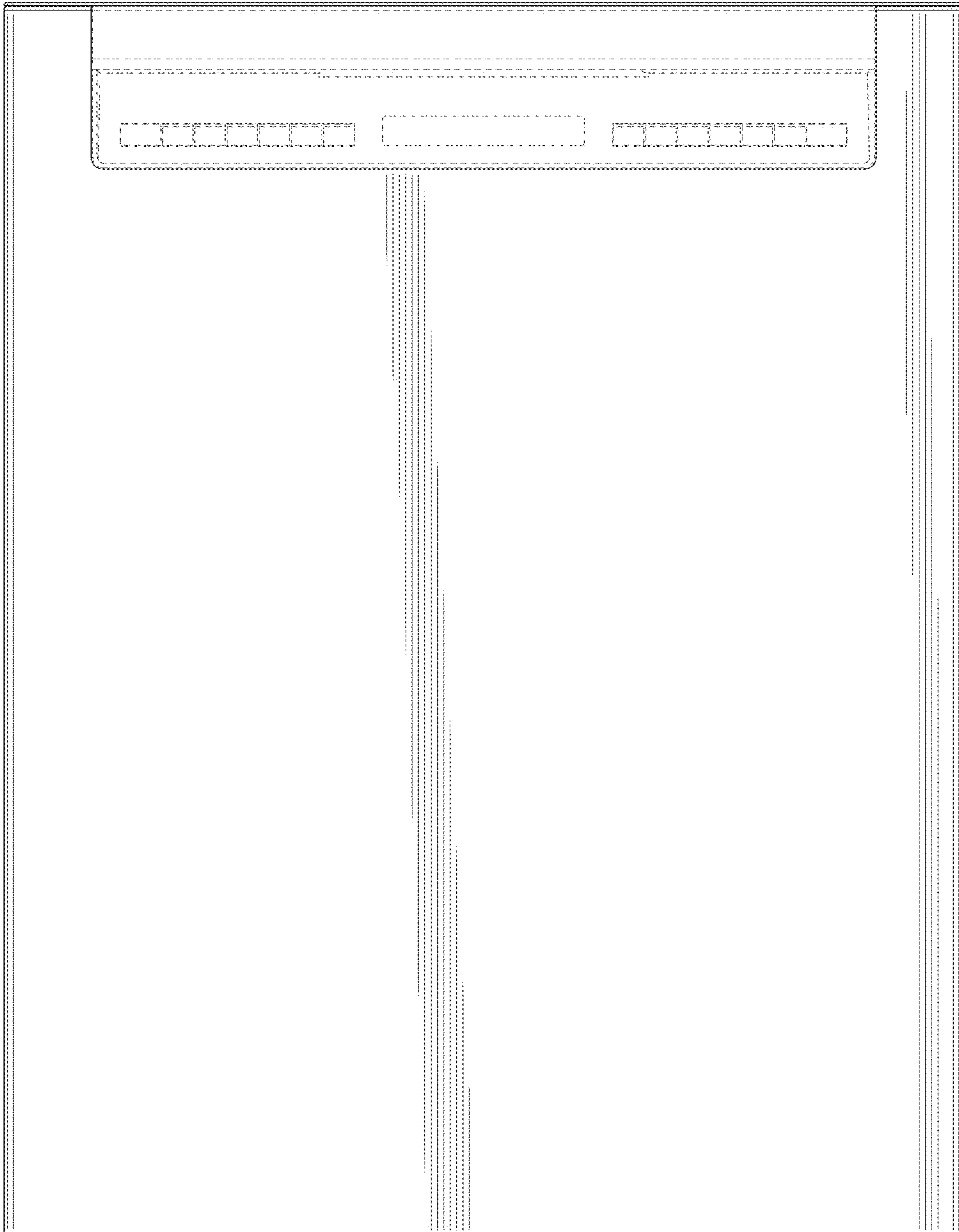


Fig. 2

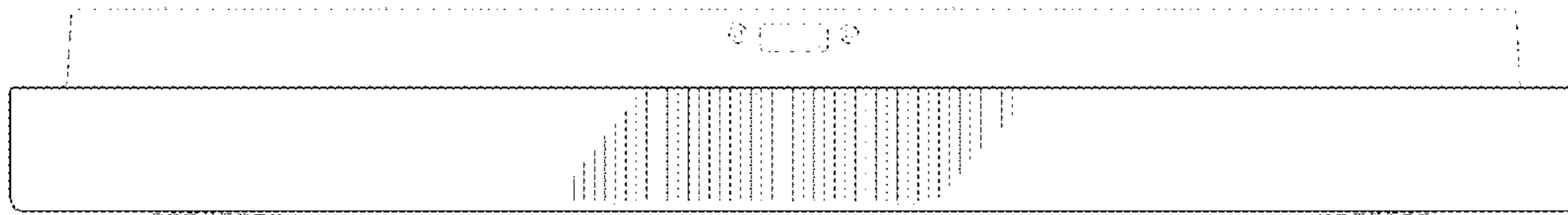


Fig. 3

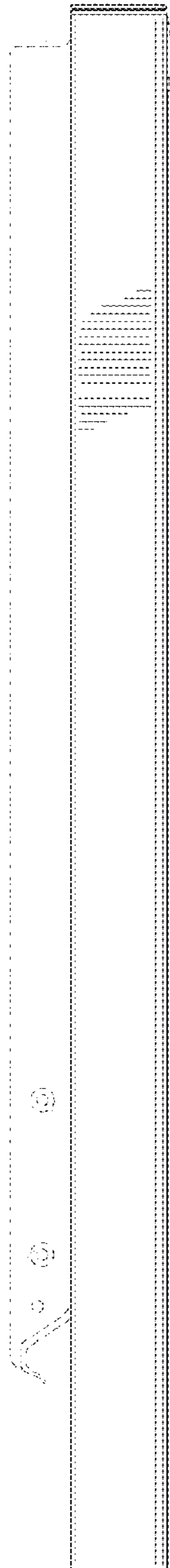


Fig. 4

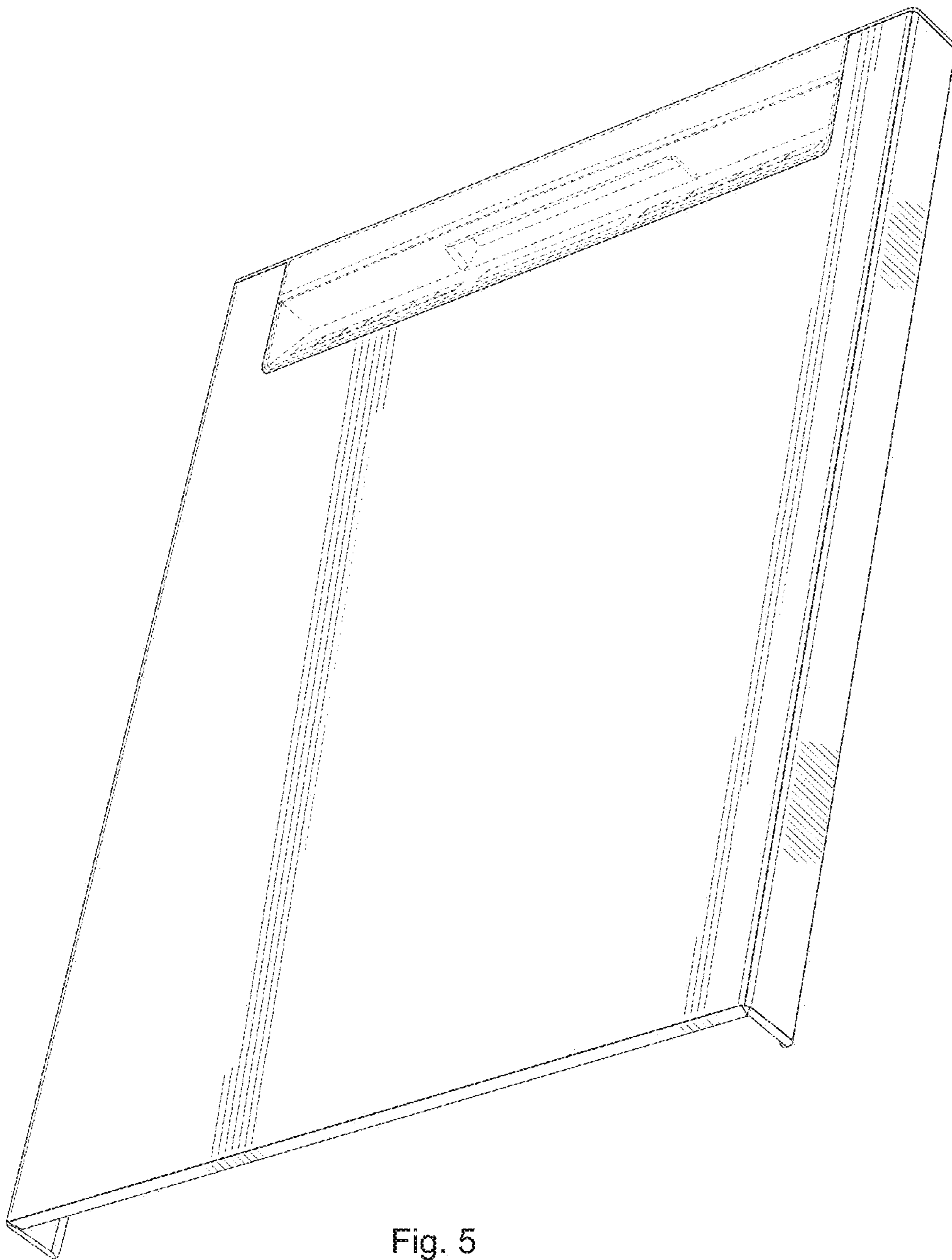


Fig. 5

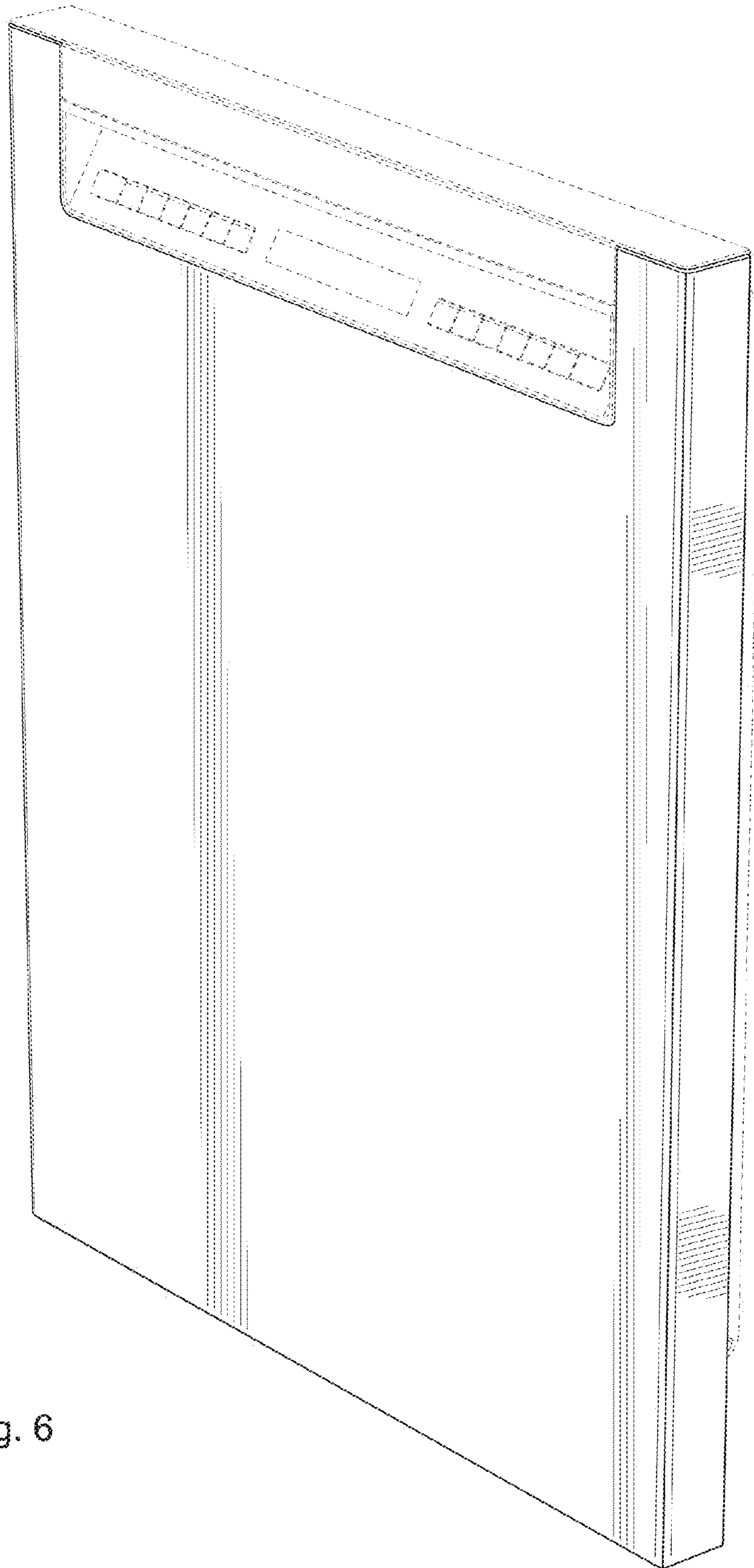


Fig. 6

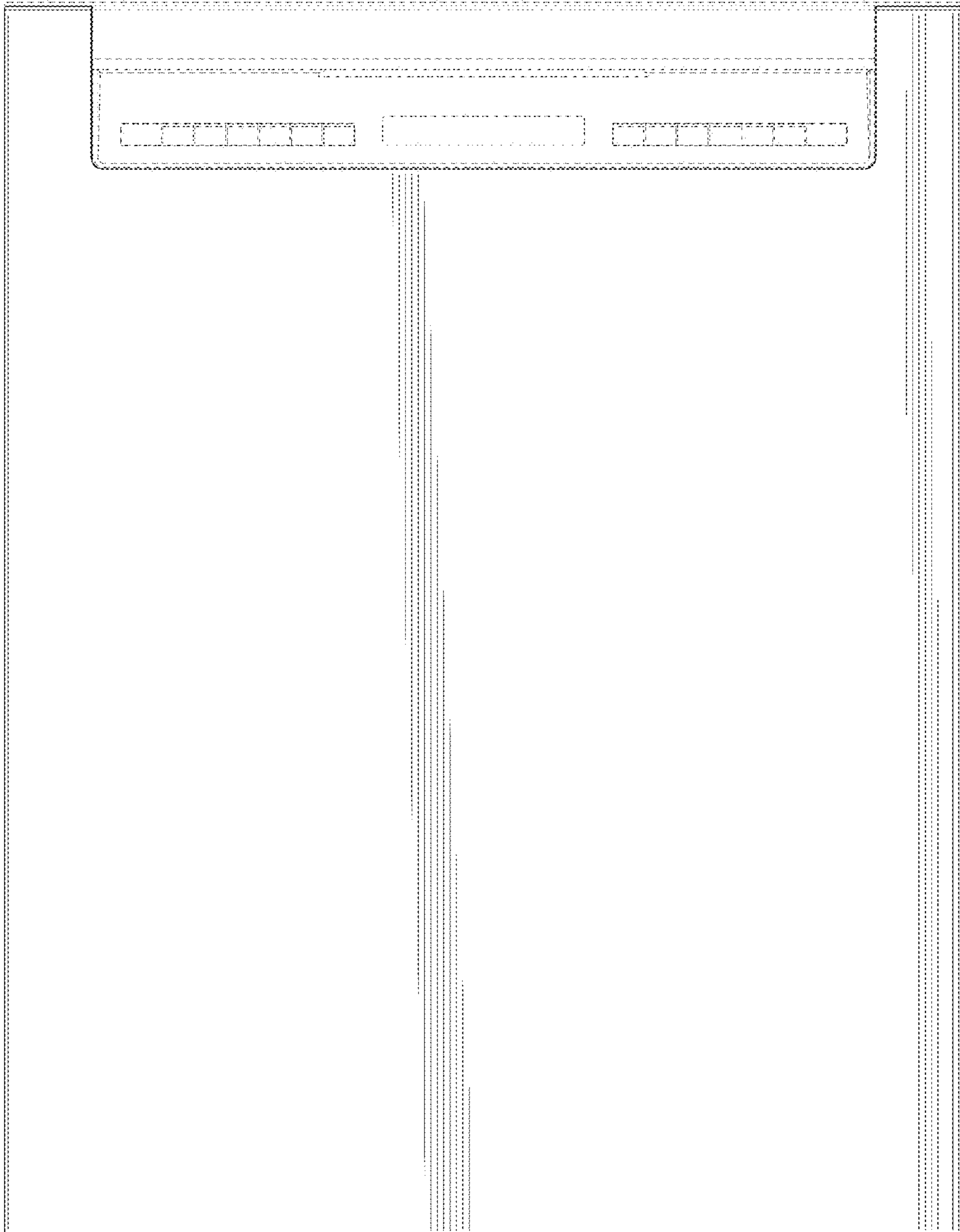


Fig. 7

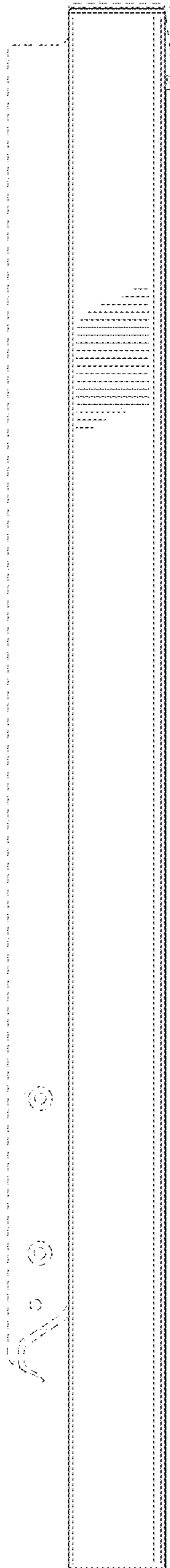


Fig. 8

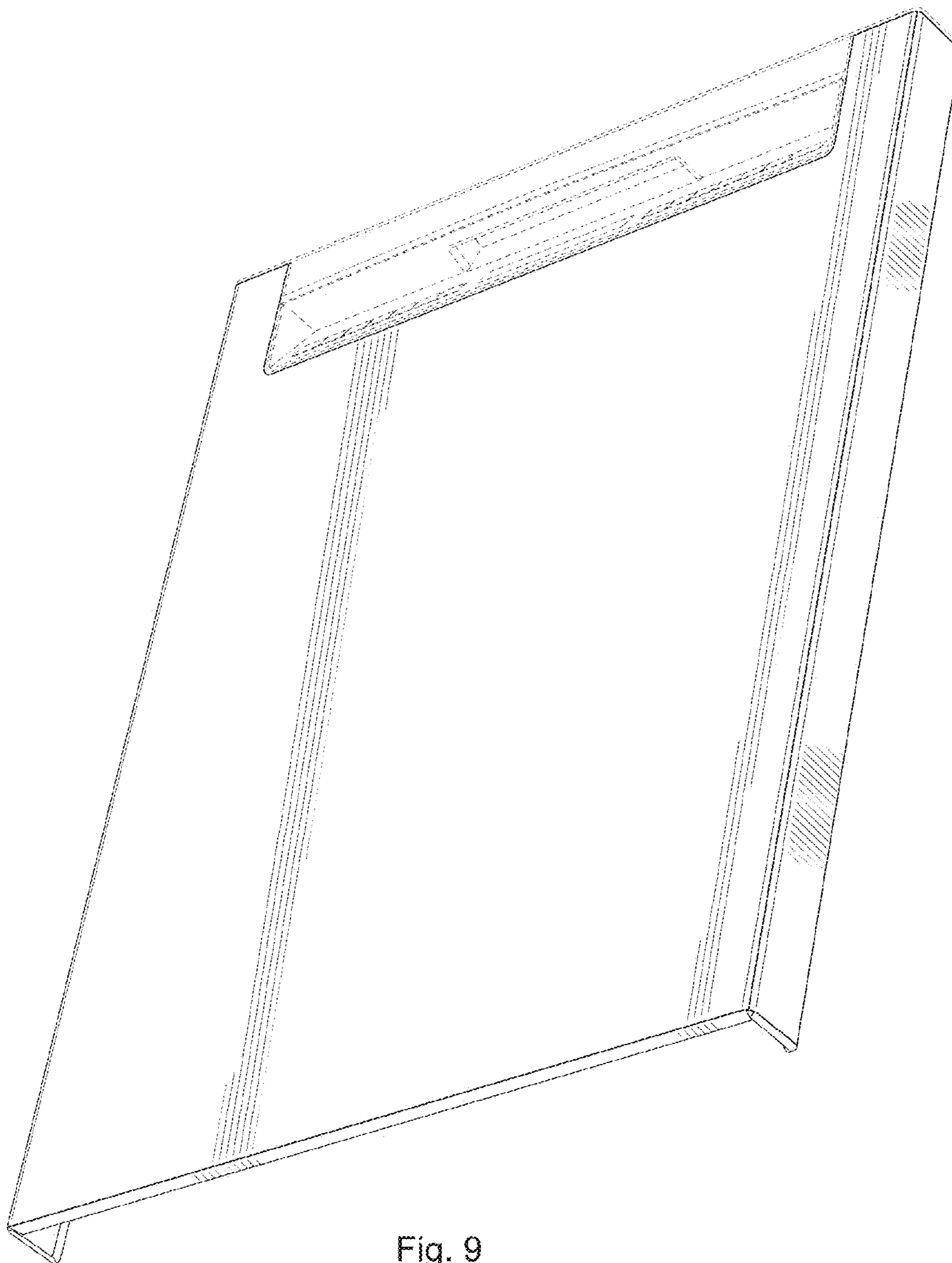


Fig. 9