



US00D702894S

(12) **United States Design Patent**  
**Bayless**

(10) **Patent No.:** **US D702,894 S**

(45) **Date of Patent:** **\*\* Apr. 15, 2014**

(54) **PET LEASH WITH STORAGE POUCH**

(71) Applicant: **Colleen Carr Bayless**, Laguna Beach,  
CA (US)

(72) Inventor: **Colleen Carr Bayless**, Laguna Beach,  
CA (US)

(\*\*) Term: **14 Years**

(21) Appl. No.: **29/458,266**

(22) Filed: **Jun. 18, 2013**

(51) **LOC (10) Cl.** ..... **30-04**

(52) **U.S. Cl.**

USPC ..... **D30/153**; D3/226

(58) **Field of Classification Search**

USPC ..... D30/144, 145, 146, 151, 152, 153, 199;  
D2/767, 500, 507, 602, 603, 609, 627,  
D2/629, 639; D3/215, 226, 229, 232, 233,  
D3/207, 208; 119/174, 769, 772, 792-798,  
119/815, 821, 850, 855, 856, 858-860,  
119/863-865, 907; 224/191, 660, 664, 681;  
383/42, 61.3

See application file for complete search history.

(56) **References Cited**

**U.S. PATENT DOCUMENTS**

5,233,942	A *	8/1993	Cooper et al.	119/792
5,718,192	A *	2/1998	Sebastian	119/795
5,727,500	A *	3/1998	Conboy	119/174
D393,504	S *	4/1998	Eisman	D30/153
5,890,637	A *	4/1999	Furneaux	224/191
6,019,067	A *	2/2000	Carey	119/795
6,085,695	A *	7/2000	Miller et al.	119/795
6,418,881	B1 *	7/2002	Starratt	119/795

D492,454	S *	6/2004	Saunders	D30/153
D509,329	S	9/2005	Willner et al.	
D553,853	S *	10/2007	Willows et al.	D3/226
D613,500	S *	4/2010	Overton	D3/226
D618,907	S *	7/2010	Overton	D3/226
D651,767	S *	1/2012	Dias	D30/153
D653,028	S *	1/2012	Willows et al.	D3/226
2009/0095225	A1 *	4/2009	O'Connell	119/161

\* cited by examiner

*Primary Examiner* — Caron D Veynar

*Assistant Examiner* — Martie K Holtje

(74) *Attorney, Agent, or Firm* — Stetina Brunda Garred & Brucker

(57) **CLAIM**

The ornamental design for a pet leash with storage pouch, as shown and described.

**DESCRIPTION**

FIG. 1 is an upper perspective view of the pet leash with storage pouch of the present invention showing the new design;

FIG. 2 is an enlarged upper perspective view thereof;

FIG. 3 is a top plan view of FIG. 2;

FIG. 4 is a front elevational view of FIG. 2, the rear elevational view being a mirror image of the front elevational view;

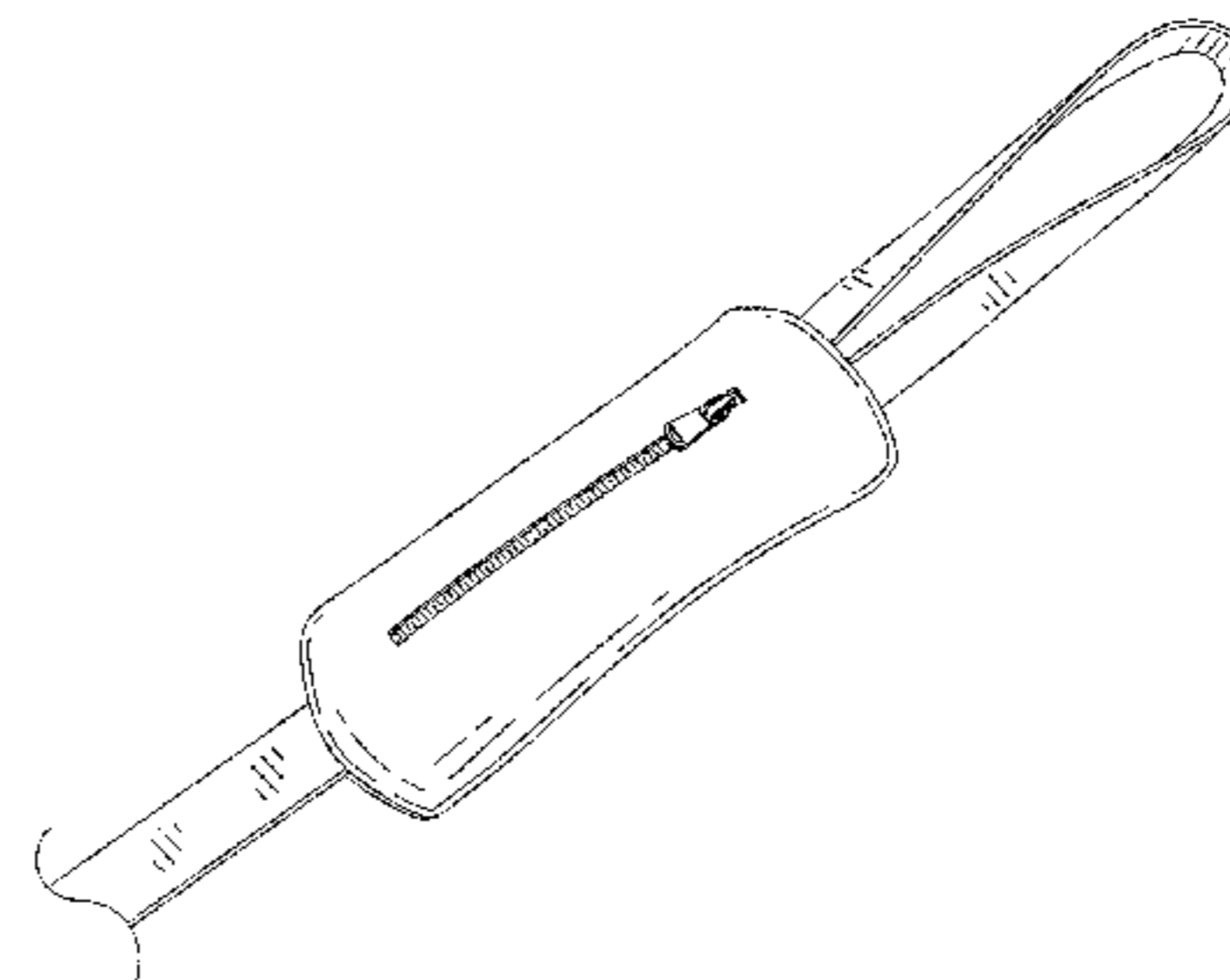
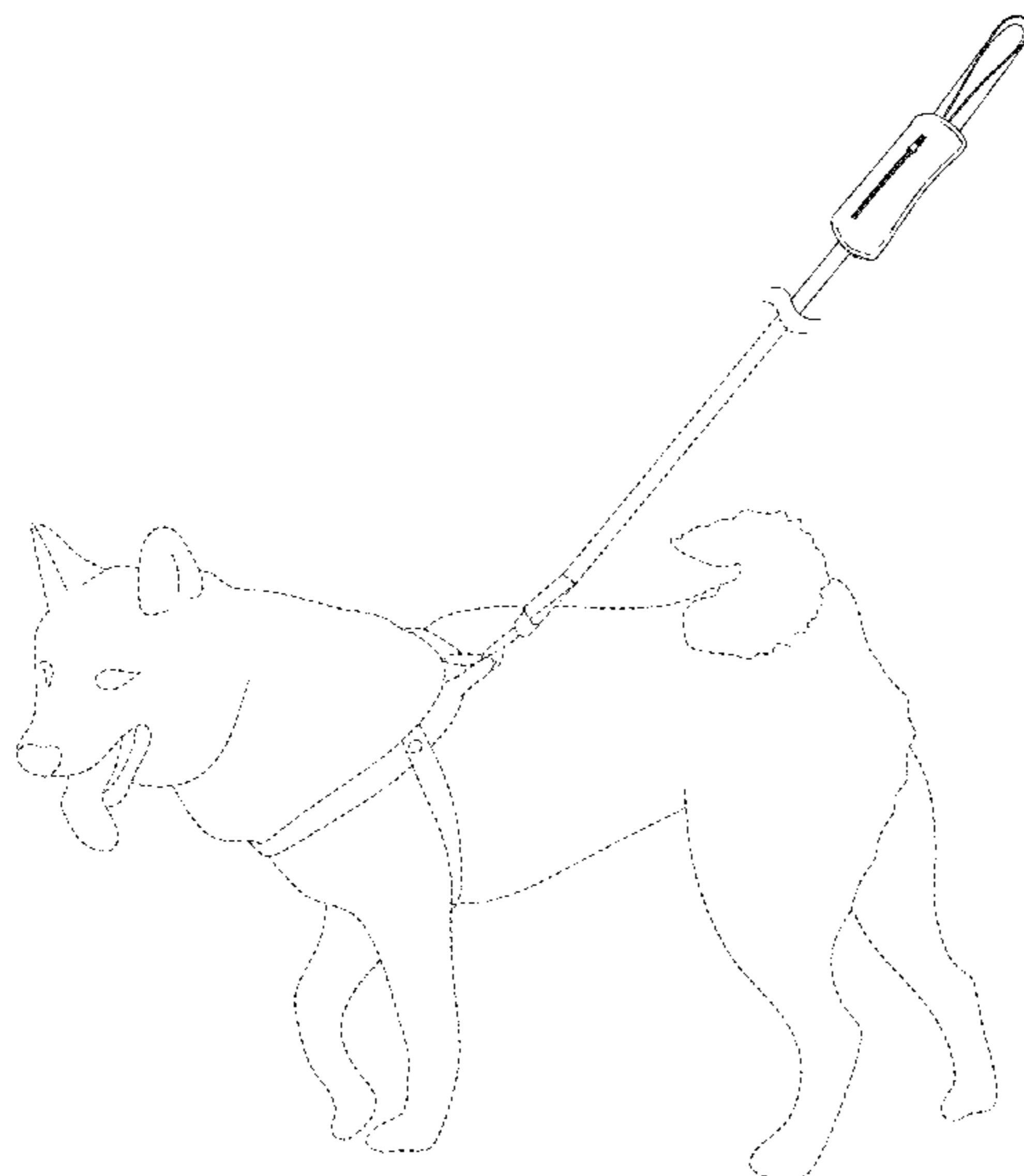
FIG. 5 is a bottom plan view of FIG. 2;

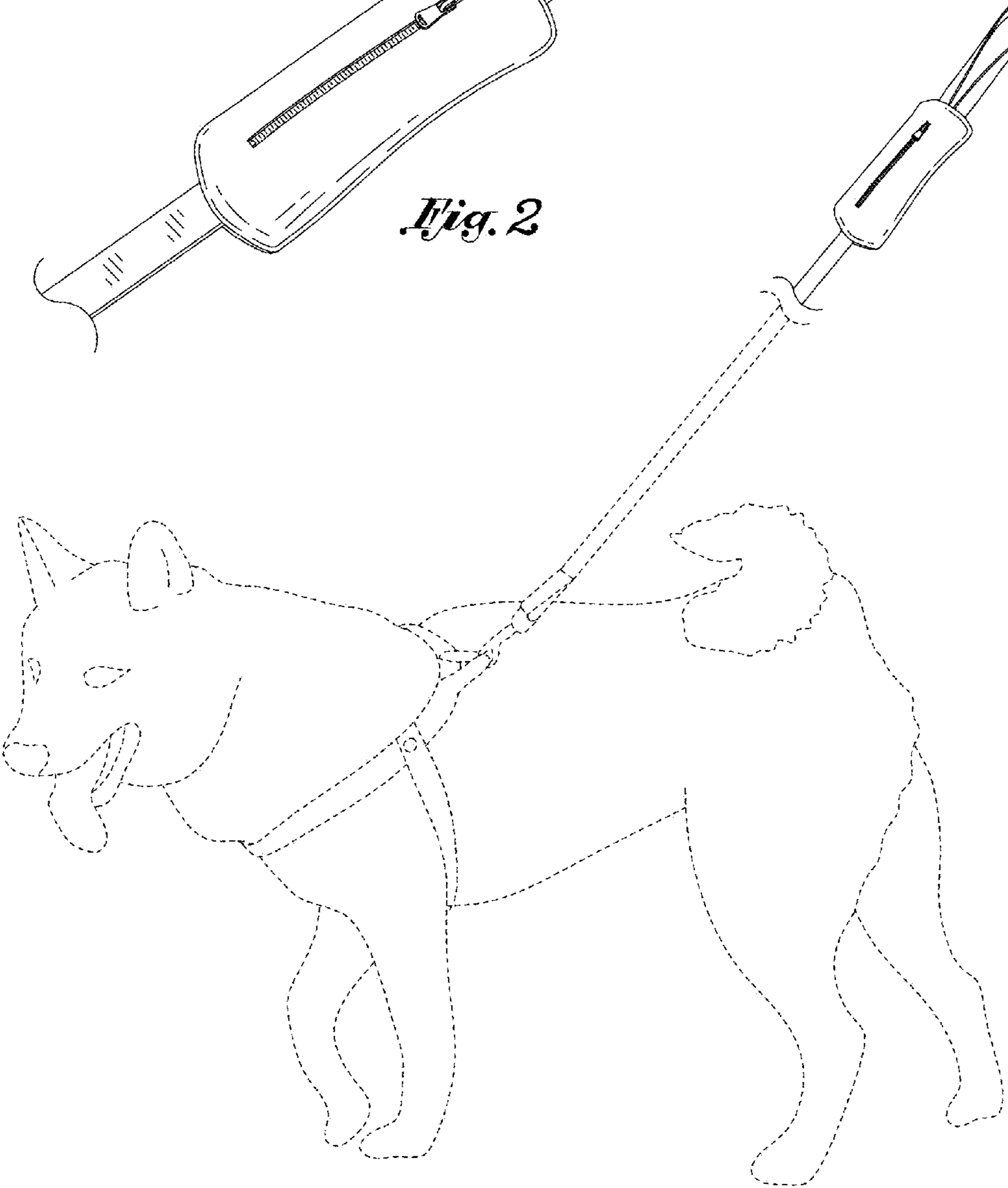
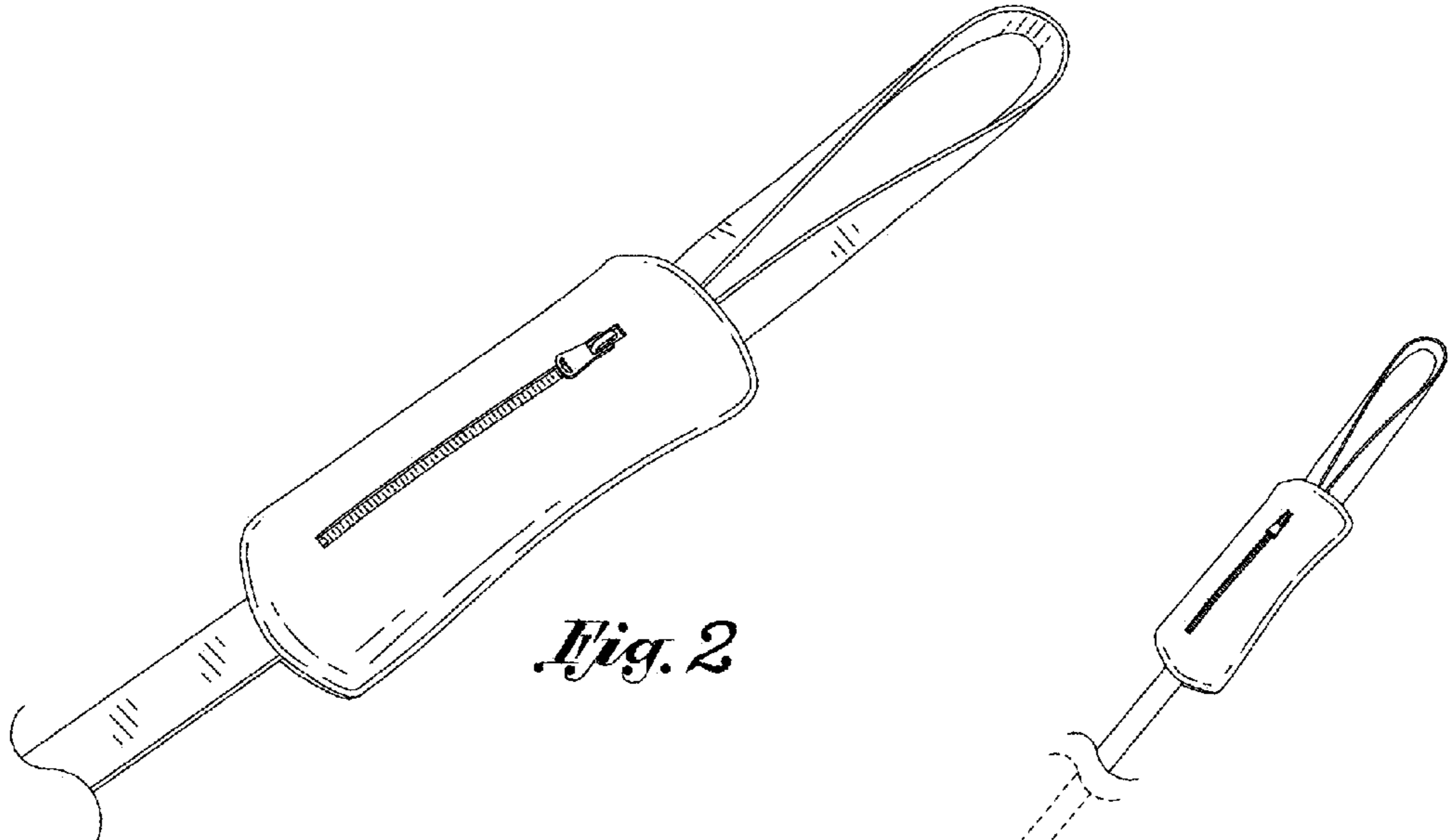
FIG. 6 is a left side elevational view of FIG. 2; and,

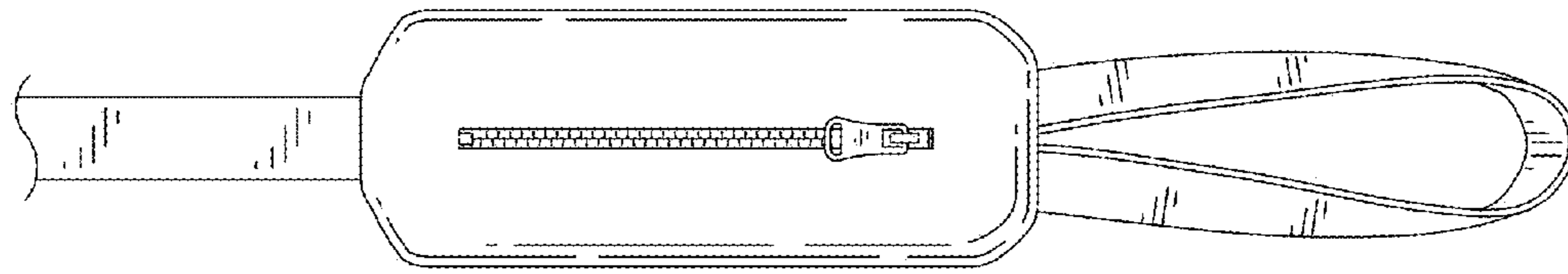
FIG. 7 is a right side elevational view of FIG. 2.

The broken line showing of the dog and harness and leash portion in FIG. 1 is included for the purpose of illustrating environment that forms no part of the claimed design.

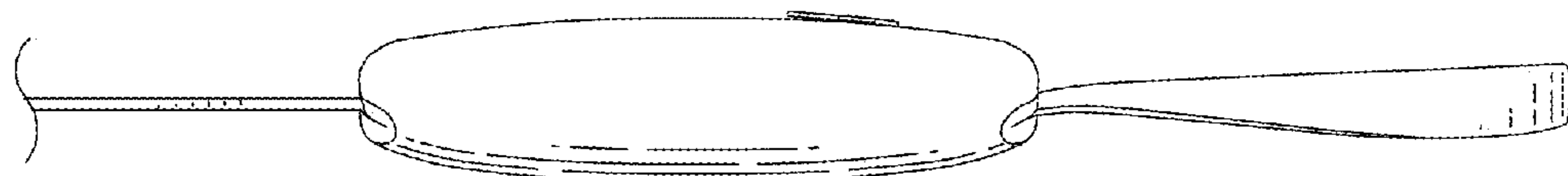
**1 Claim, 2 Drawing Sheets**







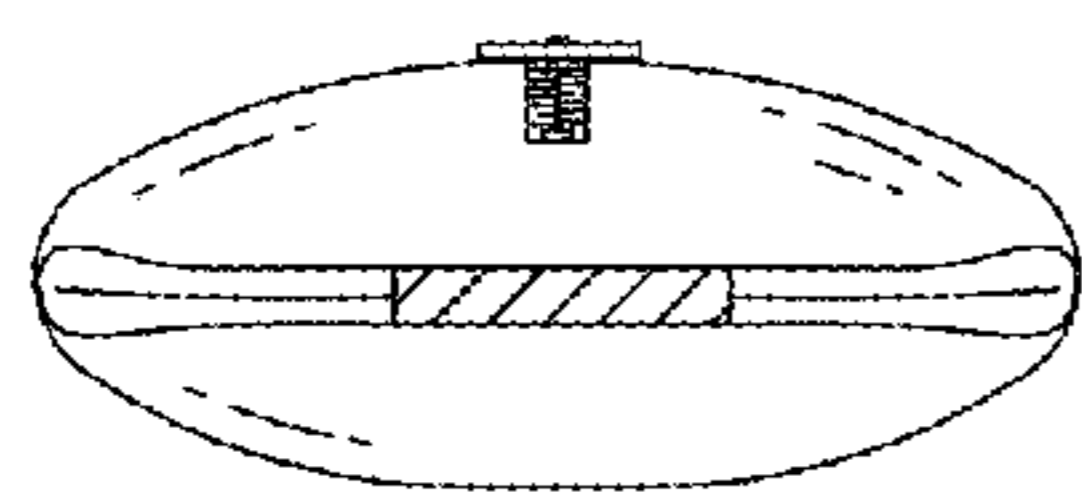
*Fig. 3*



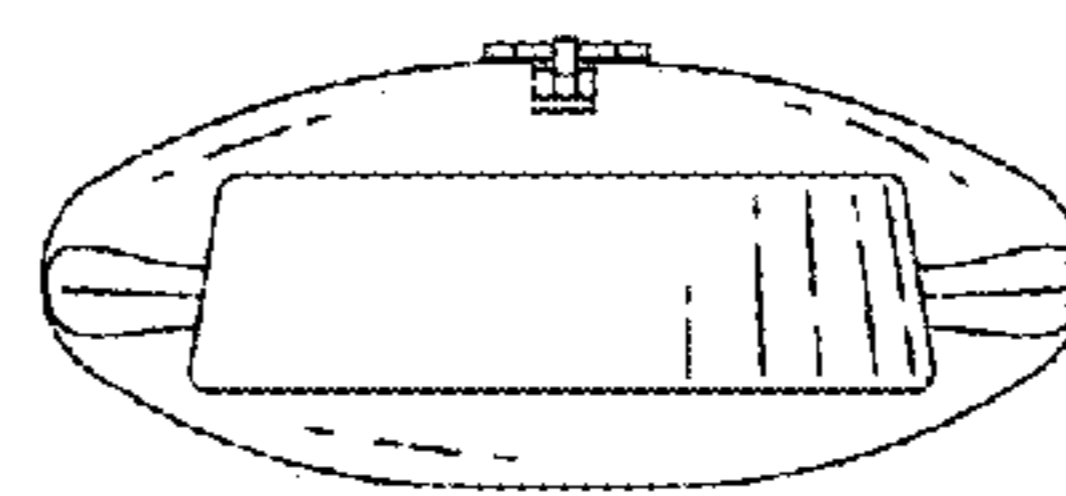
*Fig. 4*



*Fig. 5*



*Fig. 6*



*Fig. 7*