



US00D702893S

(12) **United States Design Patent**
Tullo

(10) **Patent No.:** **US D702,893 S**
(45) **Date of Patent:** **** Apr. 15, 2014**

(54) **PET SHOES WITH HARNESS STRAPS**

(71) Applicant: **Frank Tullo**, Oxnard, CA (US)

(72) Inventor: **Frank Tullo**, Oxnard, CA (US)

(**) Term: **14 Years**

(21) Appl. No.: **29/458,877**

(22) Filed: **Jun. 24, 2013**

(51) **LOC (10) Cl.** **30-01**

(52) **U.S. Cl.**

USPC **D30/145**; D30/146; D30/152

(58) **Field of Classification Search**

USPC D30/144, 145, 146, 151, 152, 153, 199;
D2/896, 900, 909, 919, 943; 119/174,
119/654, 769, 772, 792, 793-798, 815, 821,
119/850, 855, 856, 858-860, 863-865,
119/907; 36/8.1, 9 R, 111; 54/82
See application file for complete search history.

6,851,394	B1	2/2005	Young	
D633,258	S *	2/2011	Benattar	D30/146
8,109,241	B2 *	2/2012	Wrenwood Maloney	
			et al.	119/850
8,176,880	B2 *	5/2012	Hurwitz	119/850
D678,629	S *	3/2013	Powell	D30/145
2003/0164145	A1 *	9/2003	St. John	119/850
2007/0039565	A1	2/2007	Krottinger	
2008/0149046	A1 *	6/2008	Tsai	119/850
2009/0229538	A1	9/2009	Friedland	
2012/0132153	A1 *	5/2012	Maloney et al.	119/850

* cited by examiner

Primary Examiner — Caron D Veynar

Assistant Examiner — Martie K Holtje

(74) *Attorney, Agent, or Firm* — Robert C. Montgomery;
Montgomery Patent & Design

(57) **CLAIM**

The ornamental design for pet shoes with harness straps, as shown and described.

(56) **References Cited**

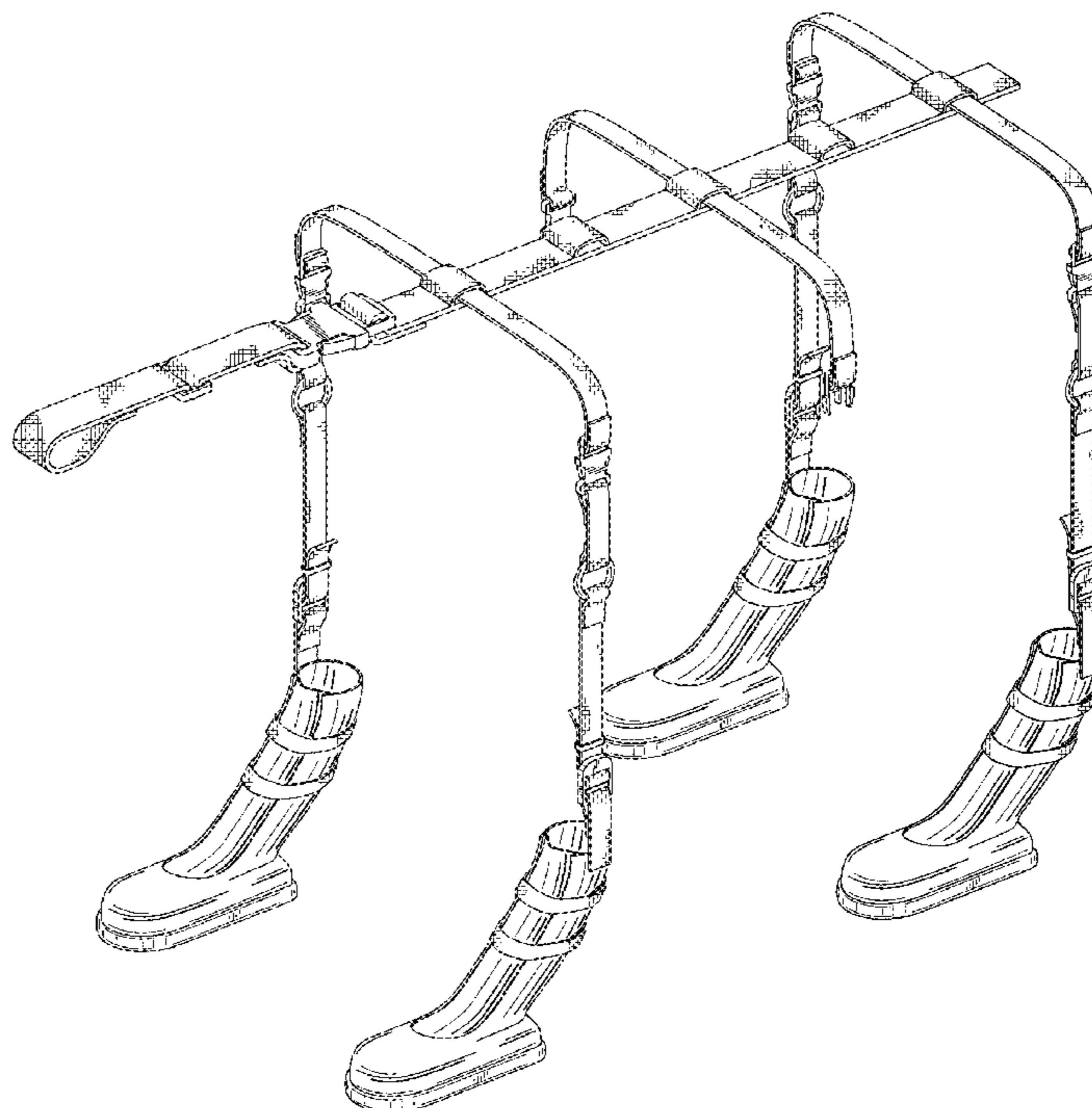
U.S. PATENT DOCUMENTS

3,067,532	A *	12/1962	Peterson	36/9 R
4,633,817	A *	1/1987	Taylor	119/850
4,744,333	A	5/1988	Taylor	
5,148,657	A	9/1992	Stafford et al.	
5,408,812	A	4/1995	Stark	
D375,586	S	11/1996	Caditz	
D376,448	S	12/1996	Caditz	
D379,251	S *	5/1997	Mezey	D30/146
D417,530	S	12/1999	Danek	
6,408,540	B1 *	6/2002	DeKalb et al.	36/8.1

DESCRIPTION

FIG. 1 is a right front perspective view of pet shoes with harness straps showing my new design;
FIG. 2 is a front view thereof;
FIG. 3 is a rear view thereof;
FIG. 4 is a right side view thereof;
FIG. 5 is a left side view thereof;
FIG. 6 is a top plan view thereof; and,
FIG. 7 is a bottom plan view thereof.

1 Claim, 7 Drawing Sheets



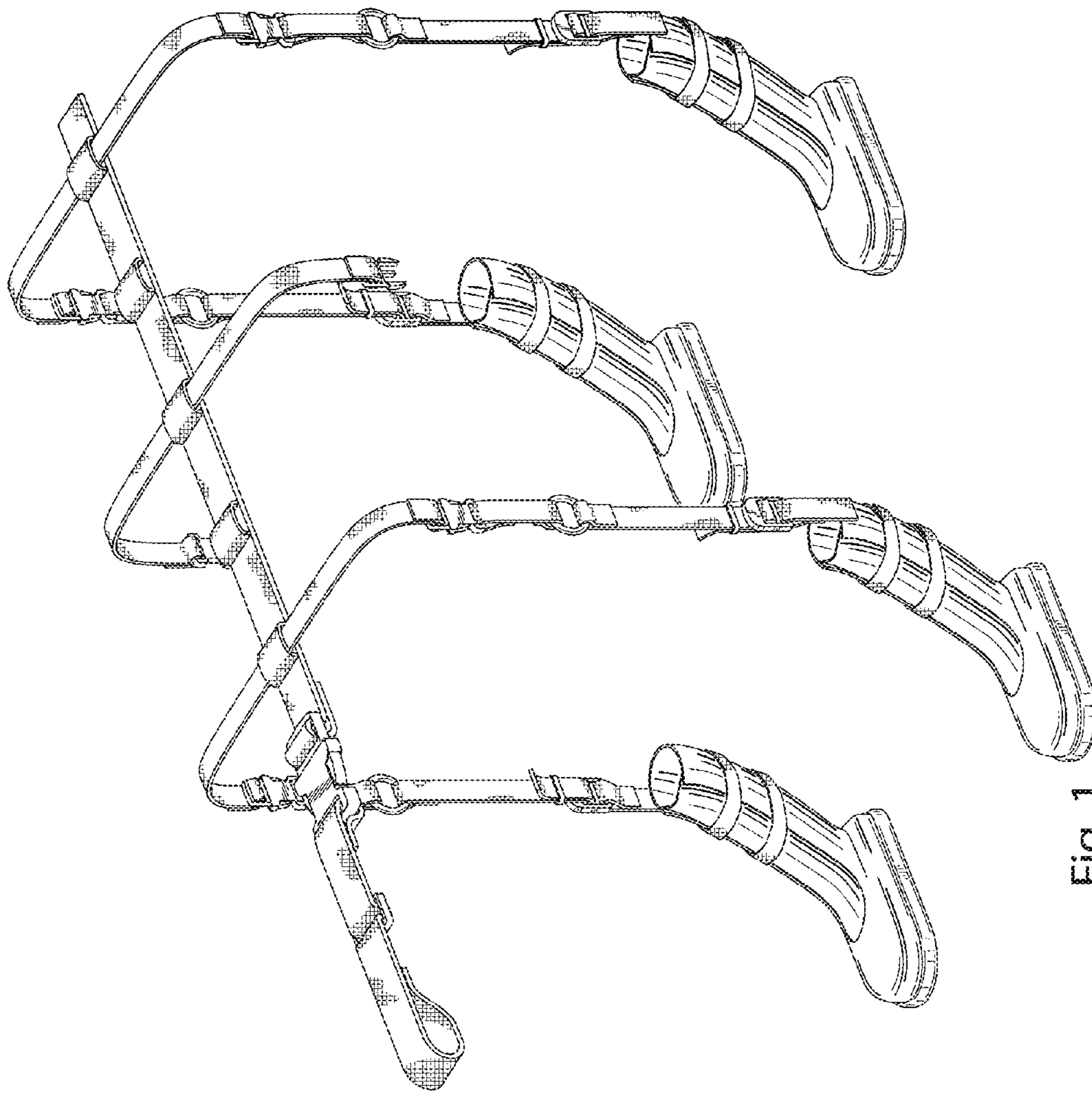


Fig. 1

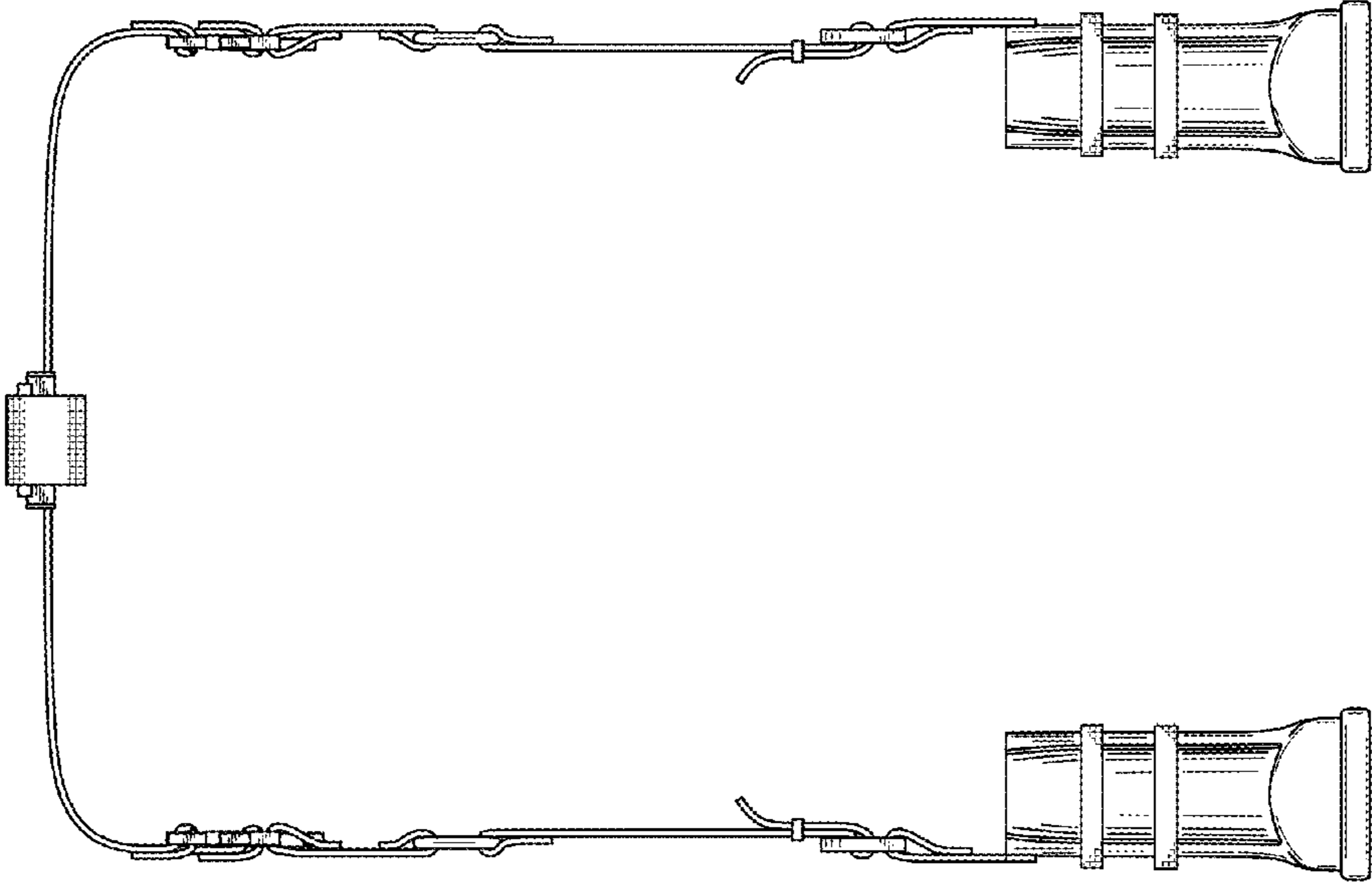


Fig. 2

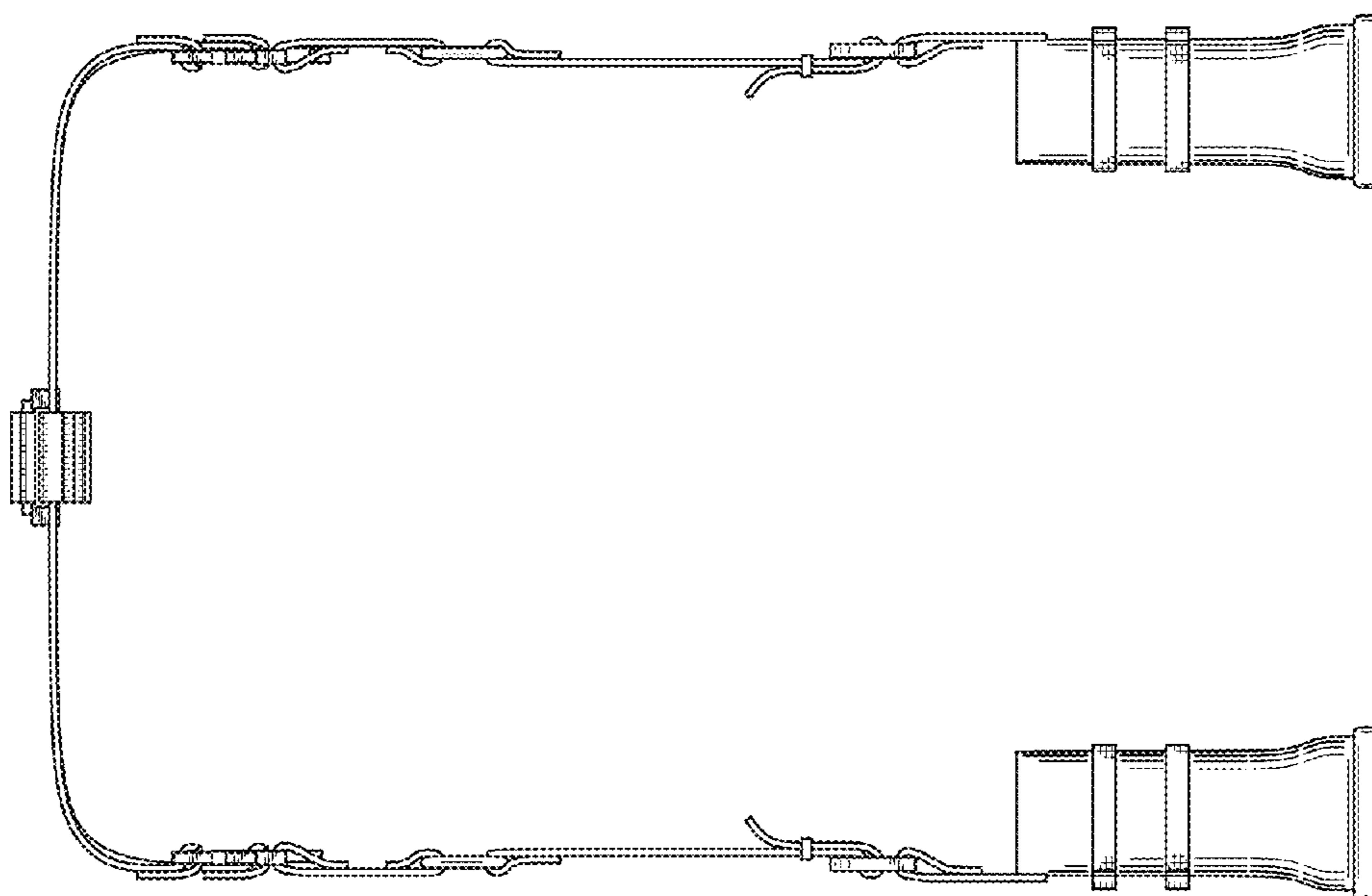


Fig. 3

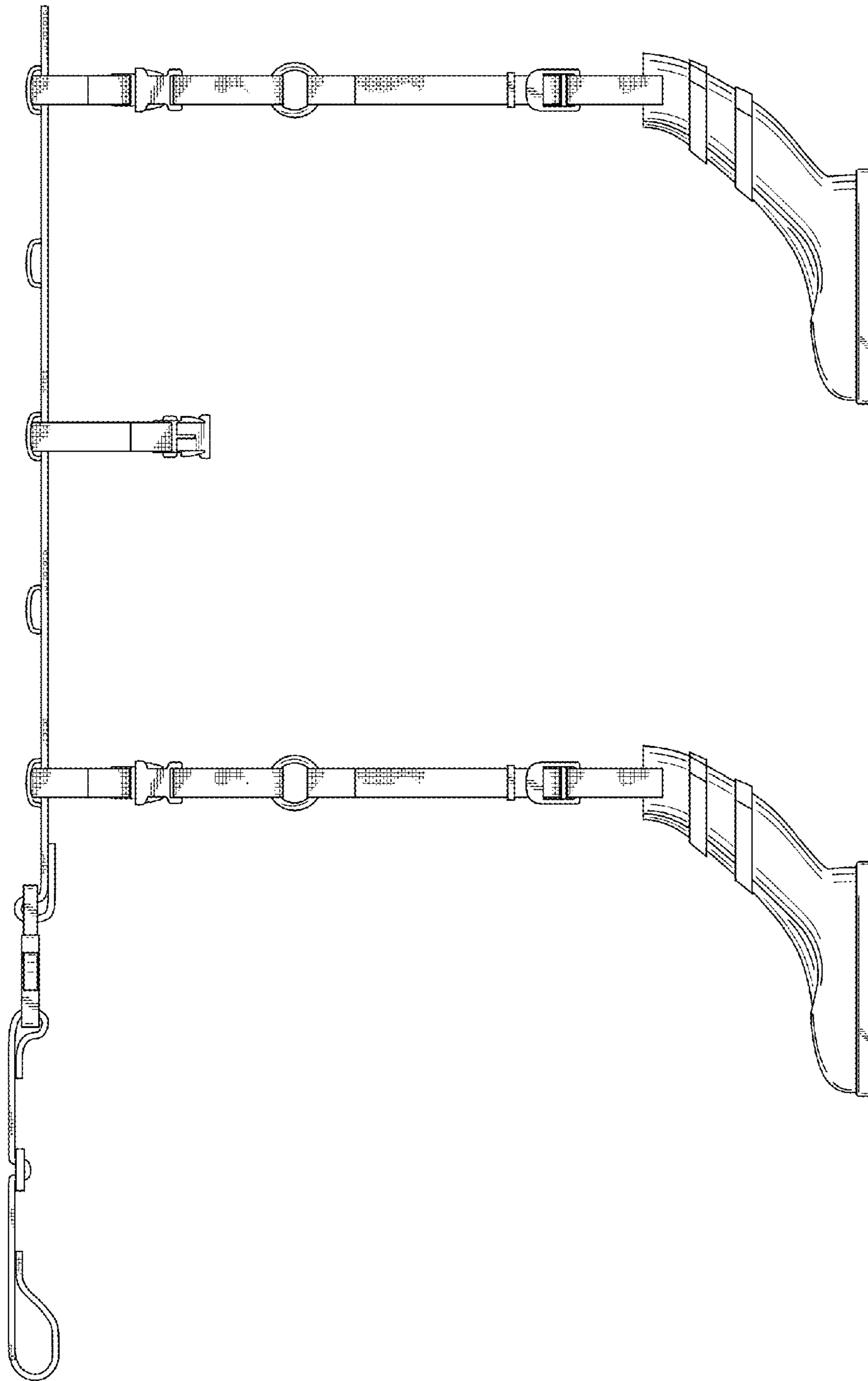


Fig. 4

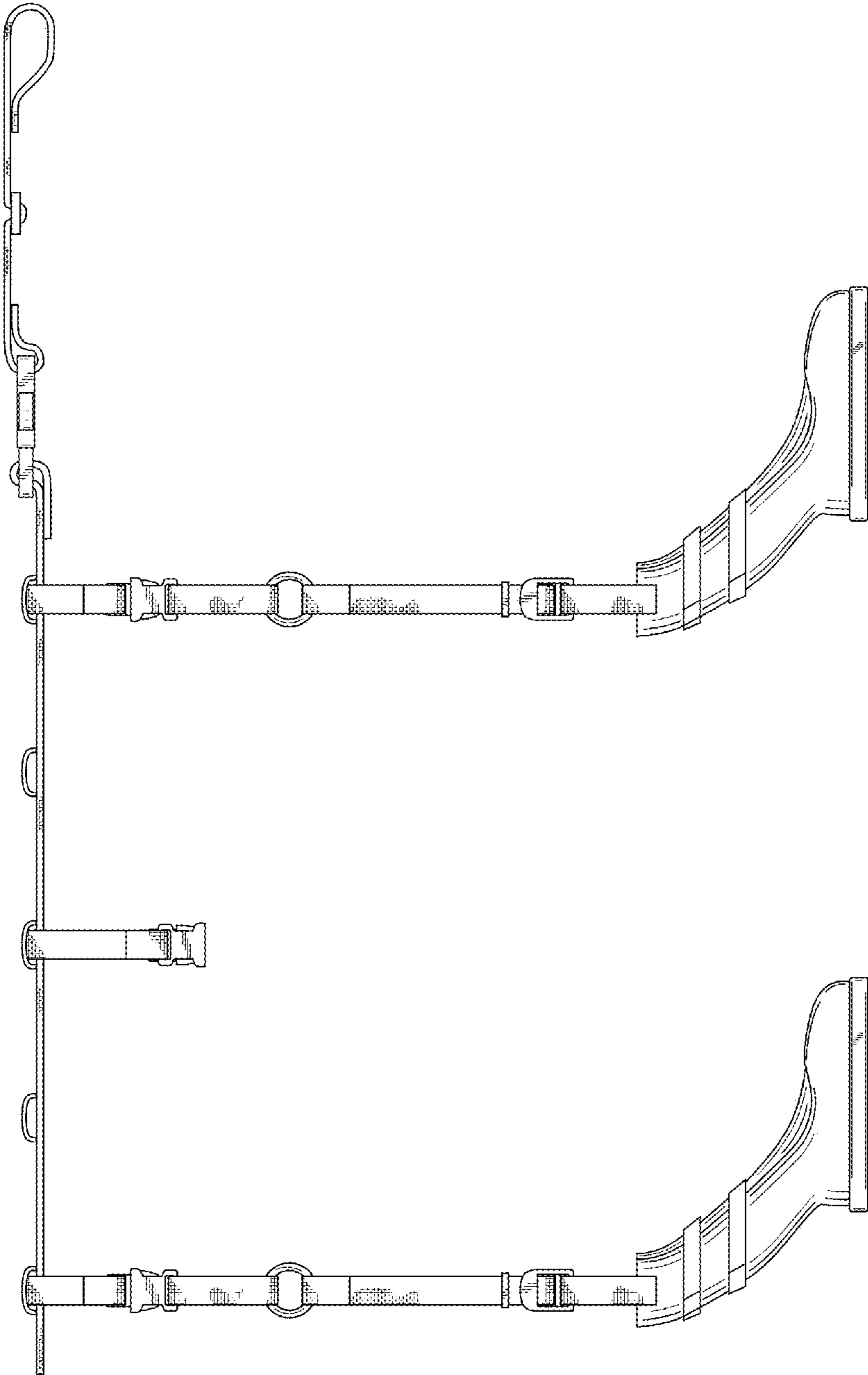


Fig. 5

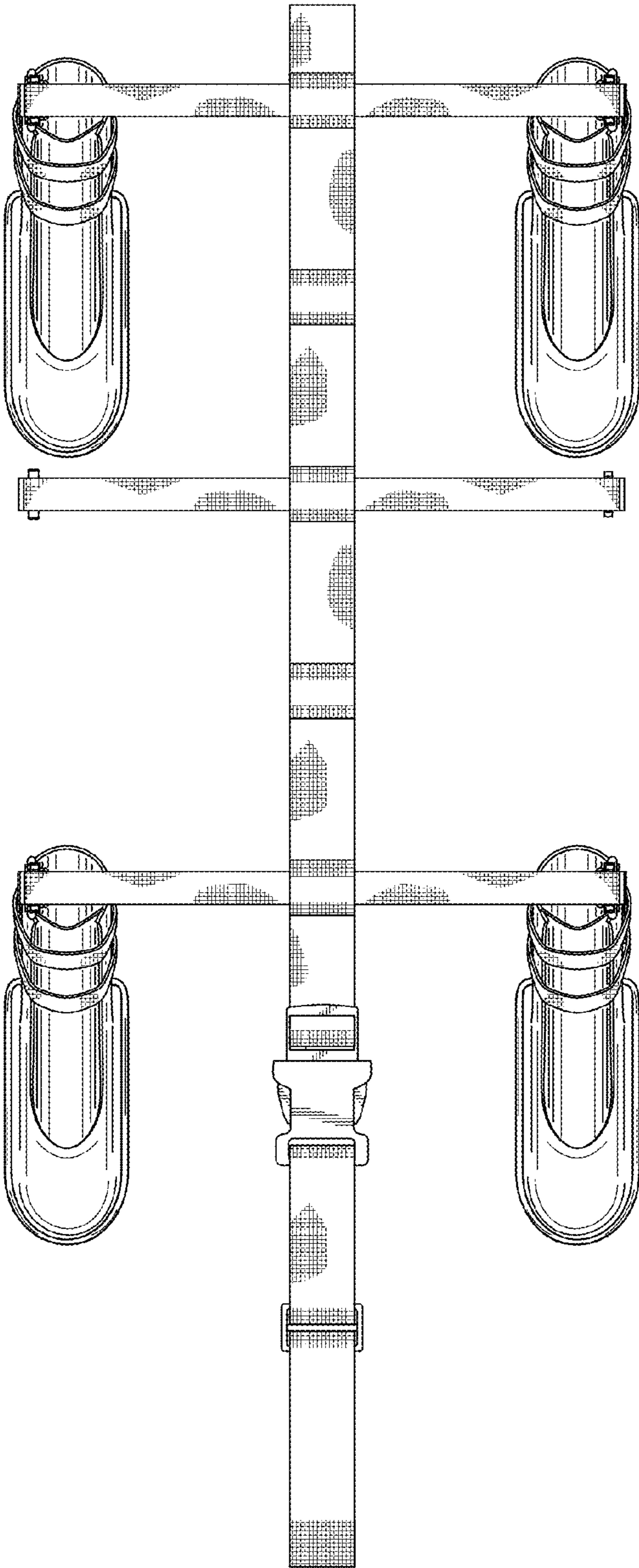


Fig. 6

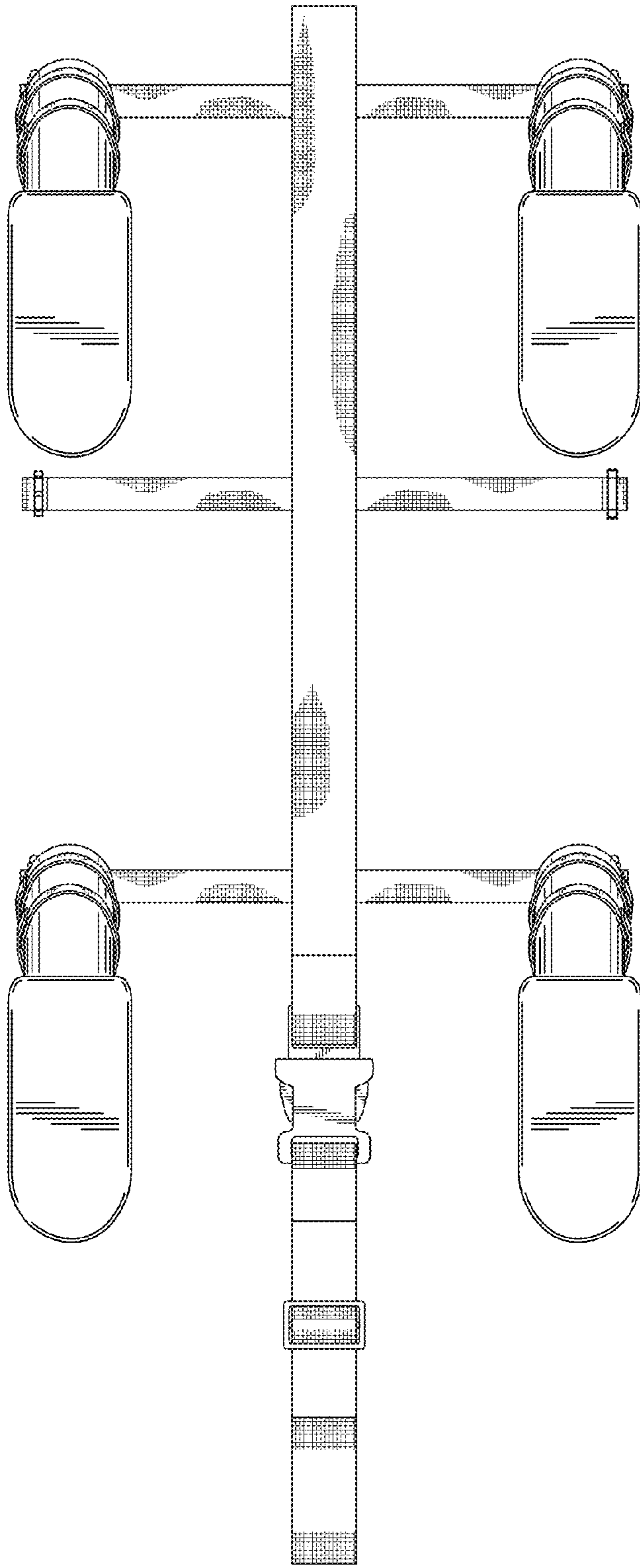


Fig. 7