



US00D702891S

(12) **United States Design Patent**
Yang et al.

(10) **Patent No.:** **US D702,891 S**
(45) **Date of Patent:** **** Apr. 15, 2014**

(54) **CAT TREE BUILDING BLOCK ELEMENT**

(71) Applicant: **AeroMark Int'l Inc.**, Princeton, NJ (US)

(72) Inventors: **Edmond Yun Yang**, Cranbury, NJ (US);
Yangchun Miao, Suqian (CN)

(73) Assignee: **Aeromark Int'l Inc.**, Princeton, NJ (US)

(**) Term: **14 Years**

(21) Appl. No.: **29/445,888**

(22) Filed: **Feb. 19, 2013**

(51) **LOC (10) Cl.** **30-02**

(52) **U.S. Cl.**
USPC **D30/108; D30/119**

(58) **Field of Classification Search**
USPC D30/108-109, 112-117, 160; D21/811,
D21/814, 826-827; 119/152-453, 474,
119/481-482, 489, 491, 494, 496-498, 501,
119/513-514; 482/35

See application file for complete search history.

(56) **References Cited**

U.S. PATENT DOCUMENTS

D219,826 S *	2/1971	Wormser	D21/826
3,632,109 A *	1/1972	Dattner	482/35
3,666,266 A *	5/1972	Noguchi	482/35
D224,029 S *	6/1972	Gale et al.	D21/826
D224,796 S *	9/1972	Price et al.	D21/826
3,947,024 A *	3/1976	Slater	482/35
3,949,985 A *	4/1976	Stampfli	482/35

D283,635 S *	4/1986	Kato et al.	D21/499
5,387,165 A *	2/1995	Warren	482/35
D389,550 S *	1/1998	Williams	D21/826
D389,610 S *	1/1998	Krause	D30/108
D429,544 S *	8/2000	Terry, III	D30/108
D474,864 S *	5/2003	Allegretti	D30/160
D632,027 S *	2/2011	Johnston et al.	D30/121

* cited by examiner

Primary Examiner — Cathy A MacCormac

(74) *Attorney, Agent, or Firm* — Wall & Tong, LLP

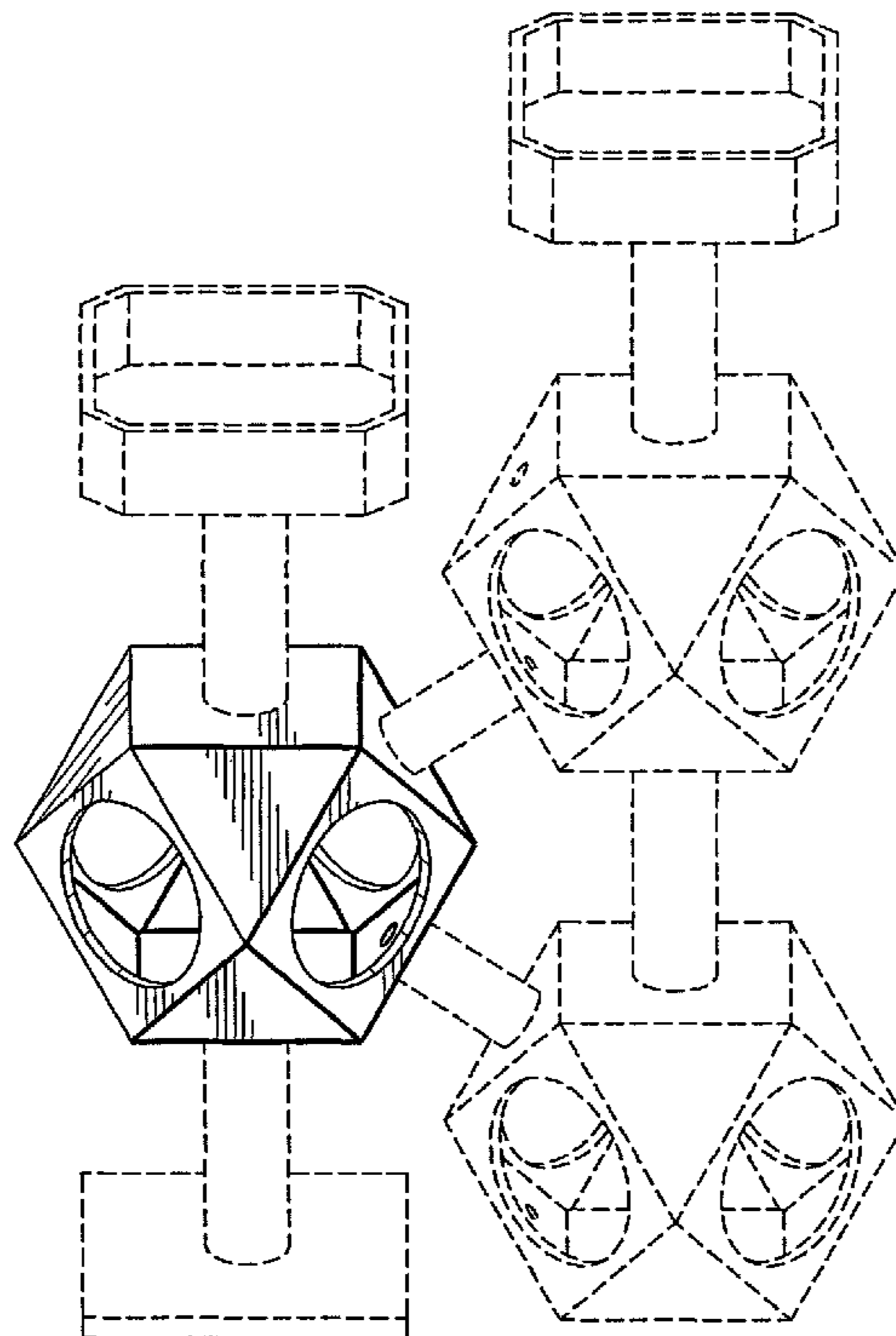
(57) **CLAIM**

We claim the ornamental design for the cat tree building block element, as shown and described.

DESCRIPTION

FIG. 1 is a top perspective view of the cat tree building block element of our ornamental design;
 FIG. 2 is a bottom perspective view thereof;
 FIG. 3 is a front elevation view thereof;
 FIG. 4 is a rear elevation view thereof;
 FIG. 5 is a right side view thereof;
 FIG. 6 is a left side view thereof;
 FIG. 7 is a top plan view thereof;
 FIG. 8 is a bottom plan view thereof;
 FIG. 9 is a perspective view of an exemplary cat tree formed using the cat tree building block element shown in FIGS. 1-8; and,
 FIG. 10 is another perspective view of FIG. 9.
 The broken lines representing a connector element are for illustration only and form no part of the claim.

1 Claim, 9 Drawing Sheets



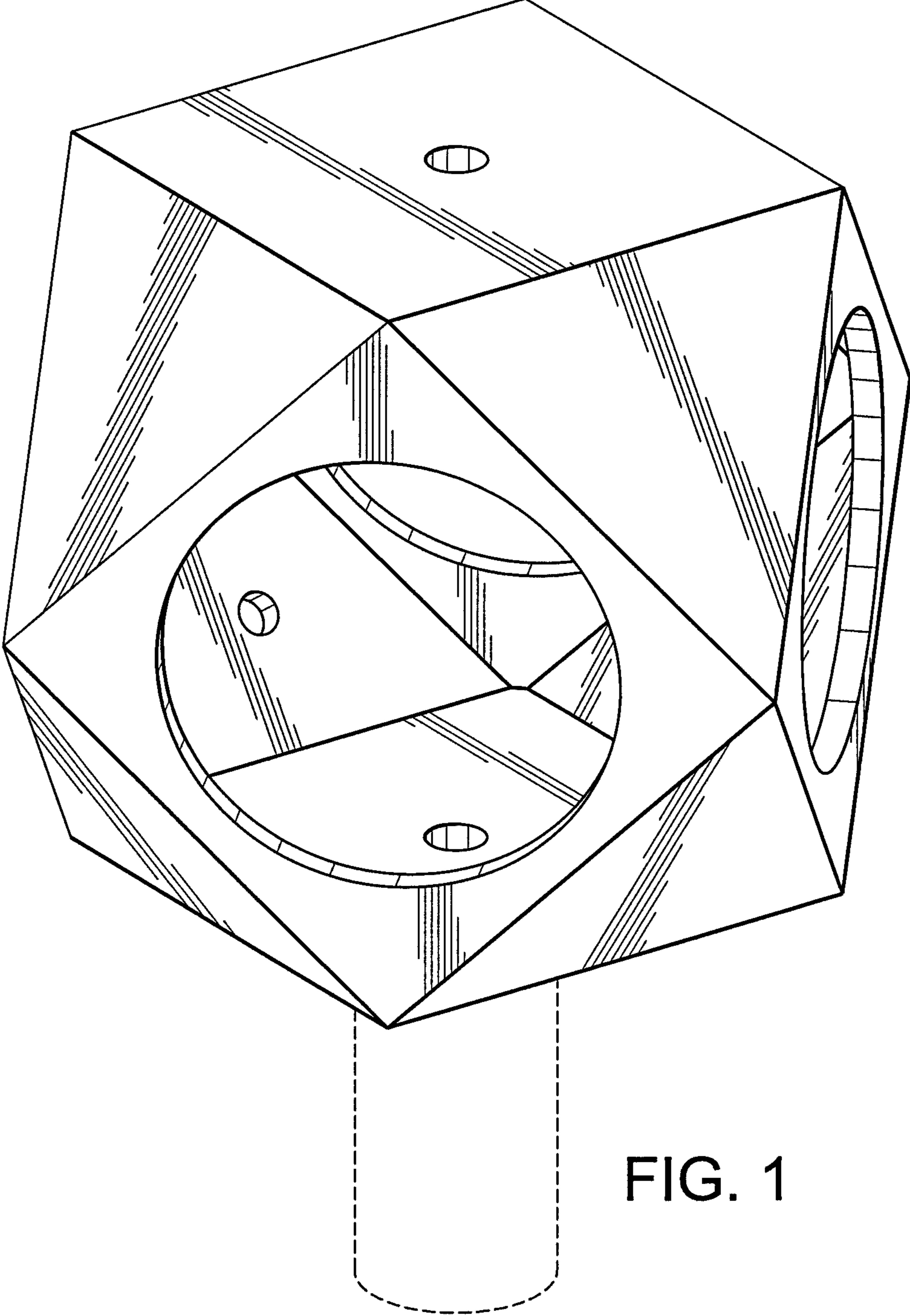
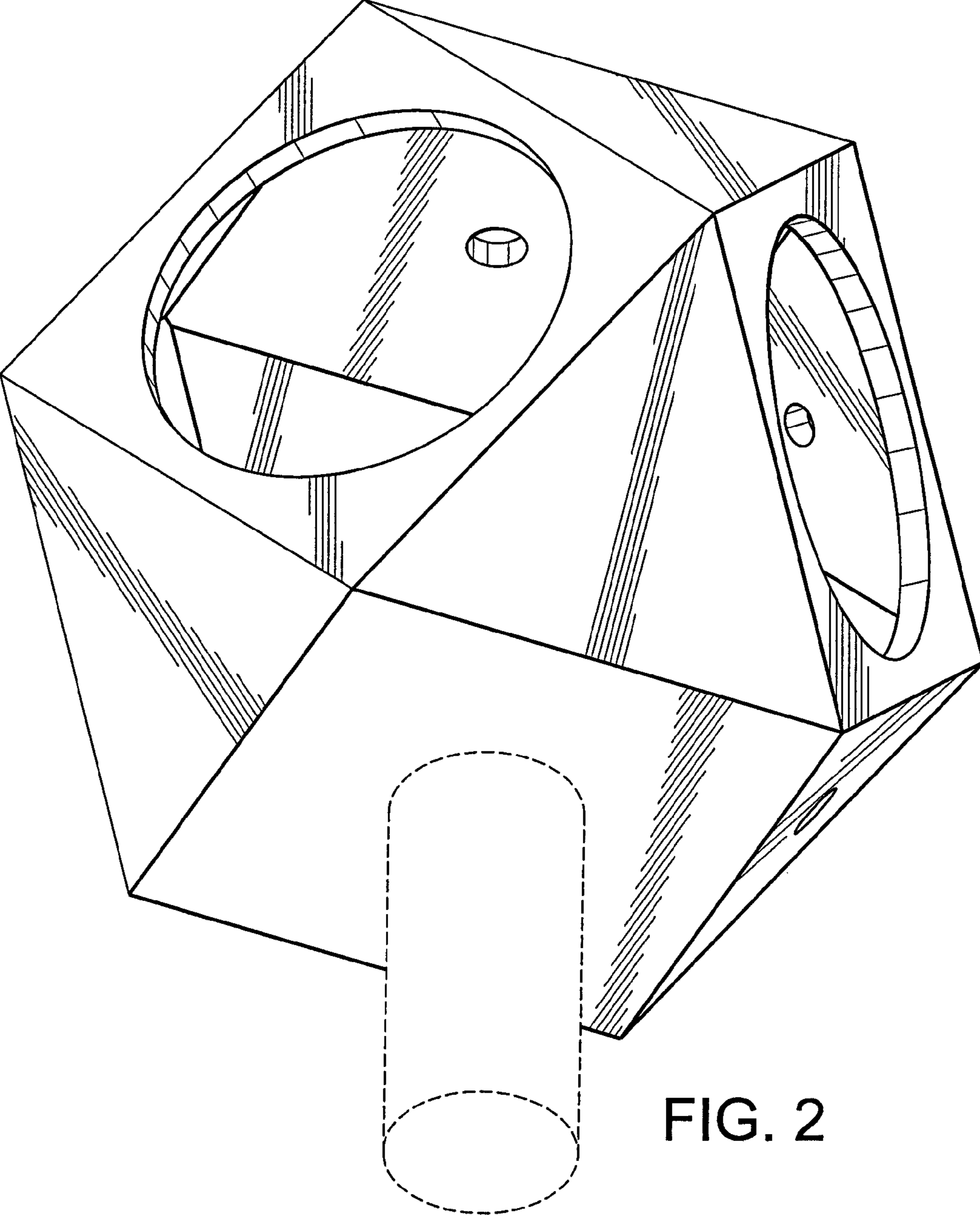
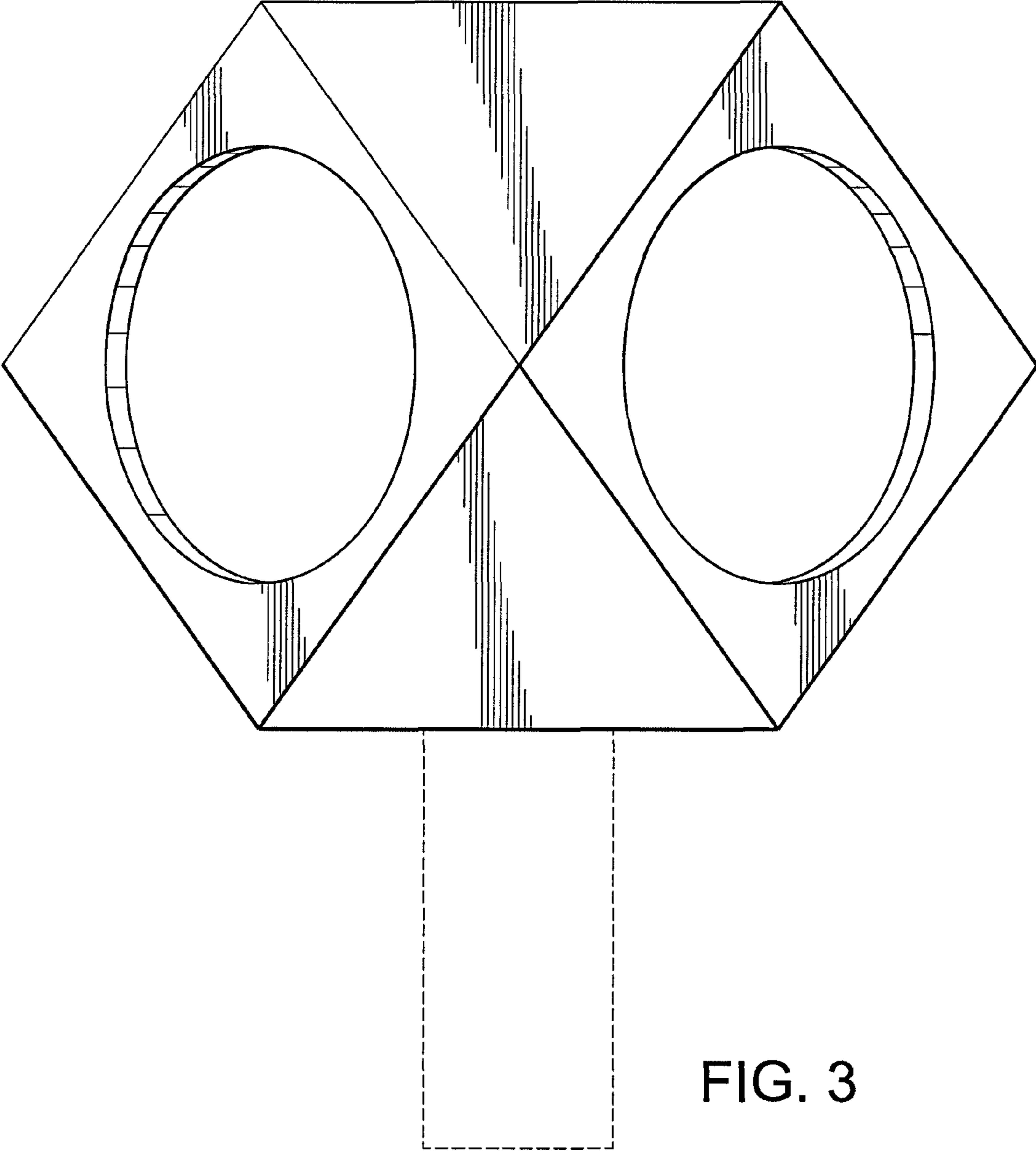
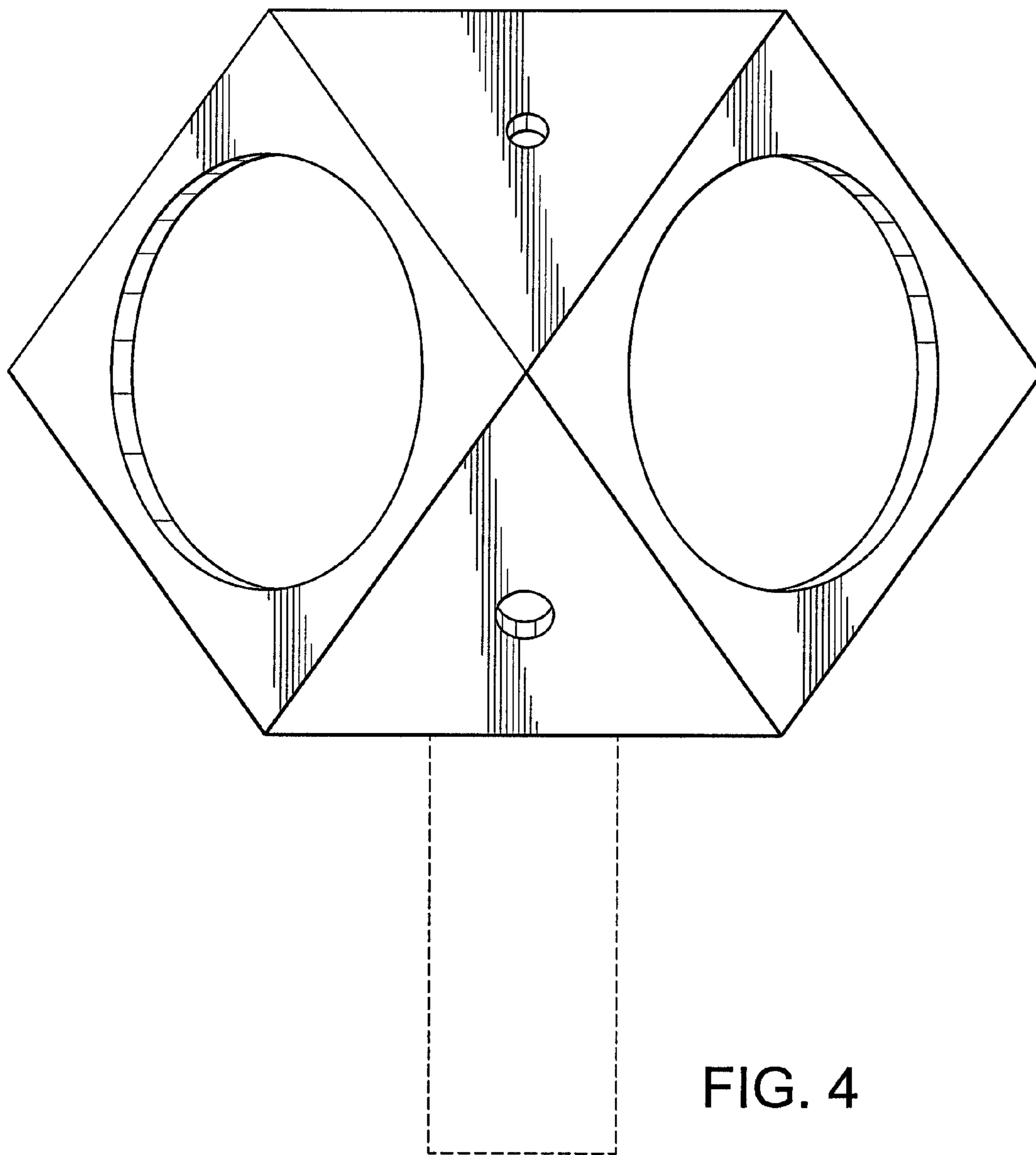


FIG. 1







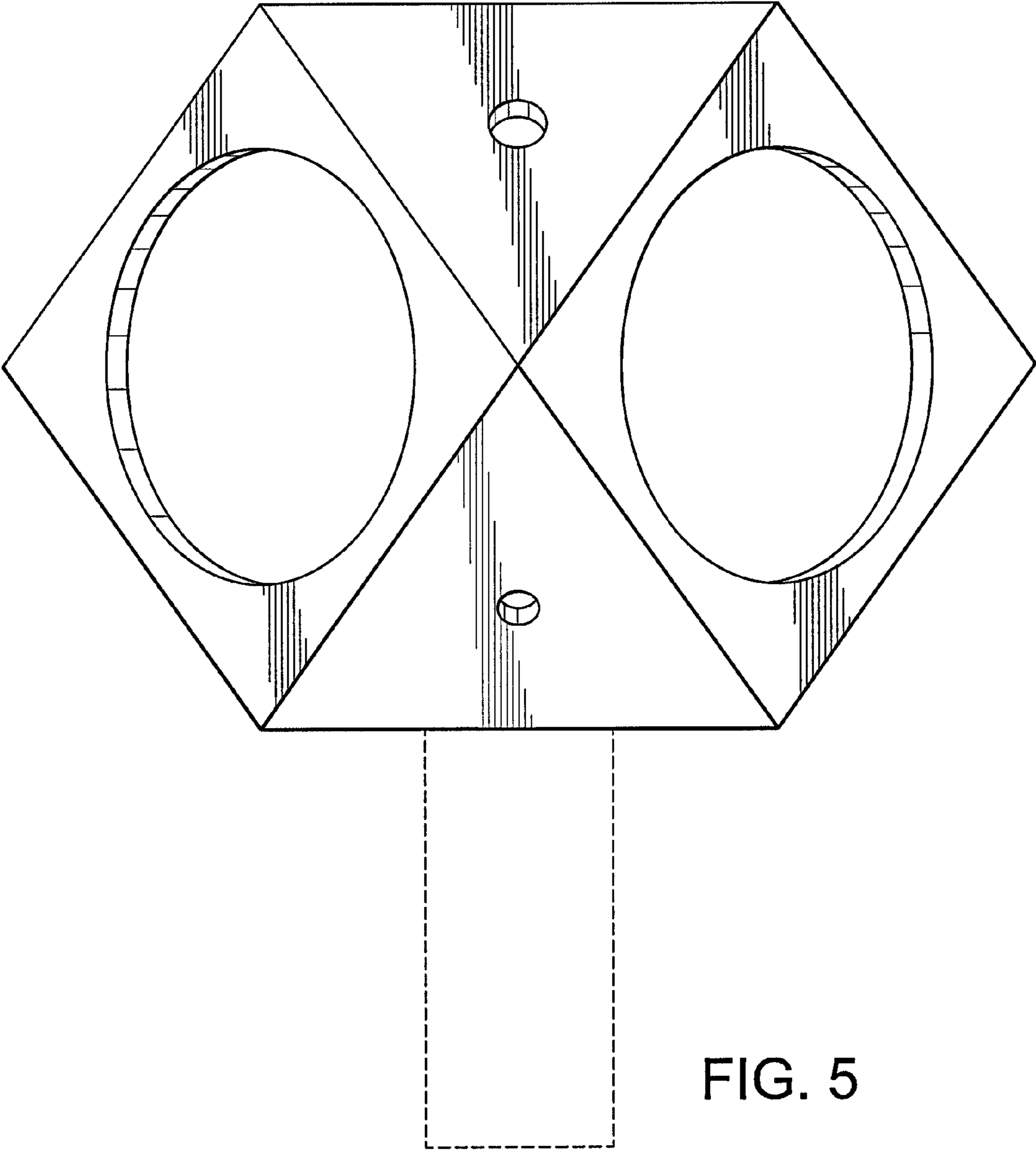
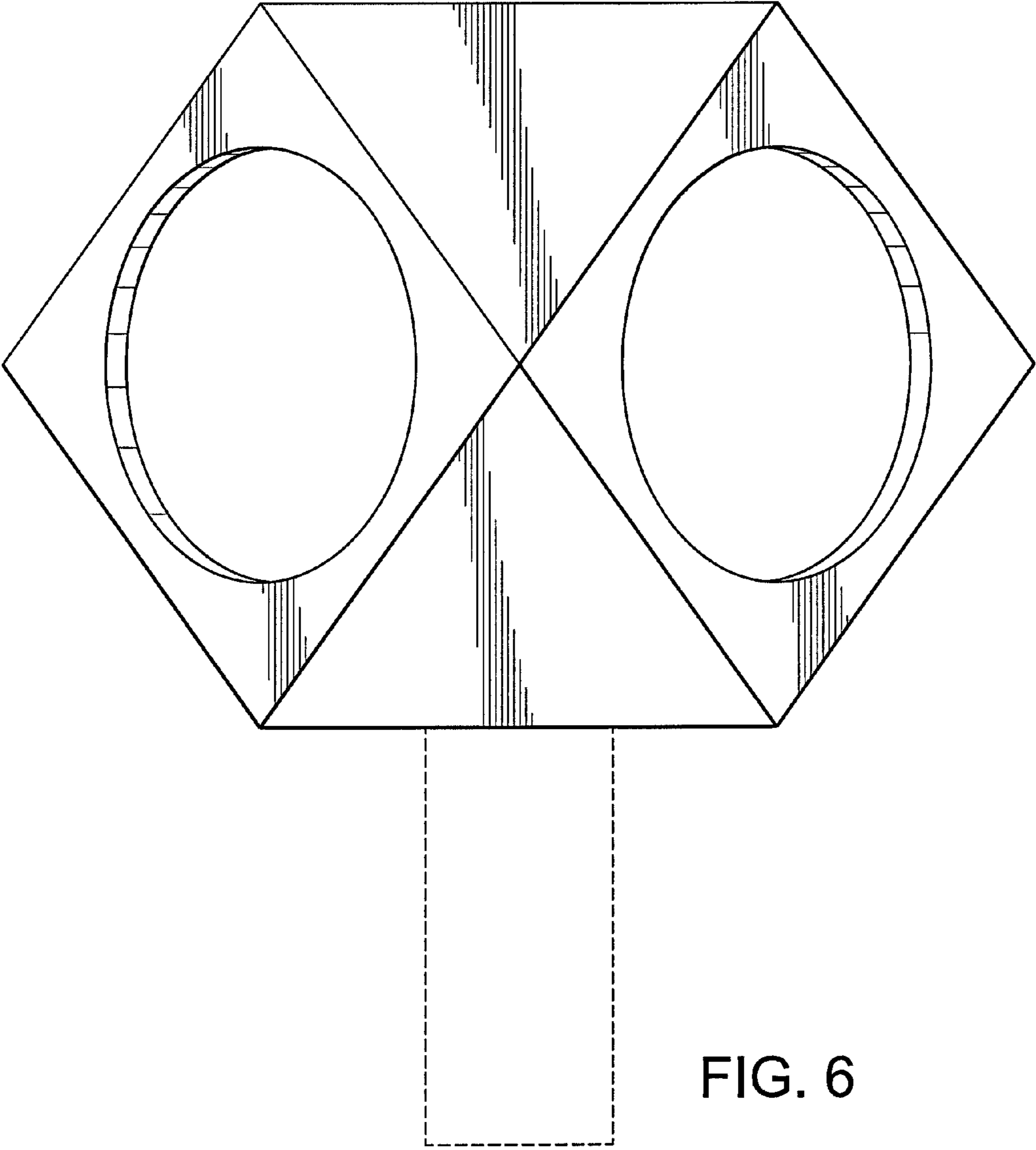


FIG. 5



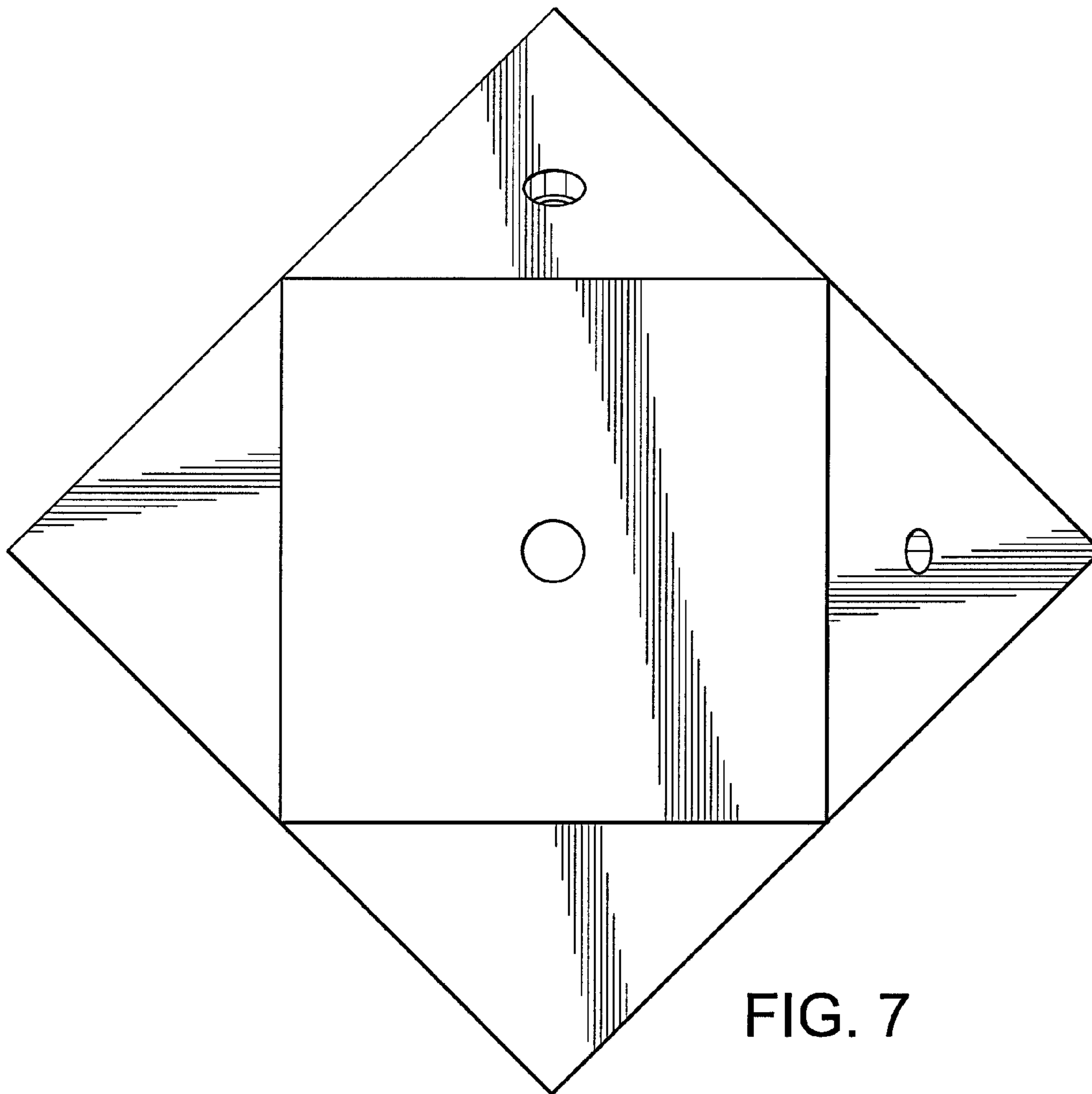
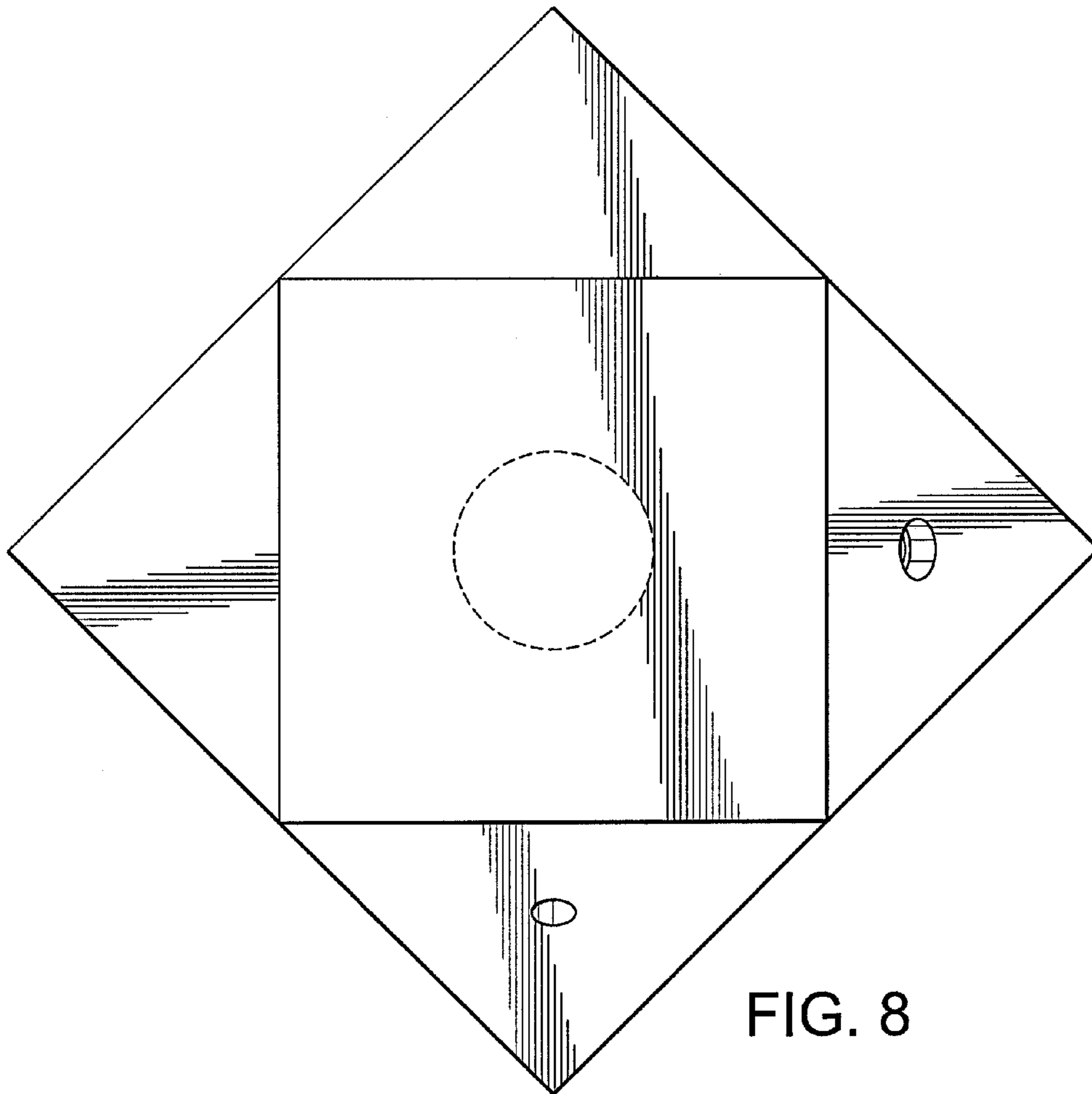


FIG. 7



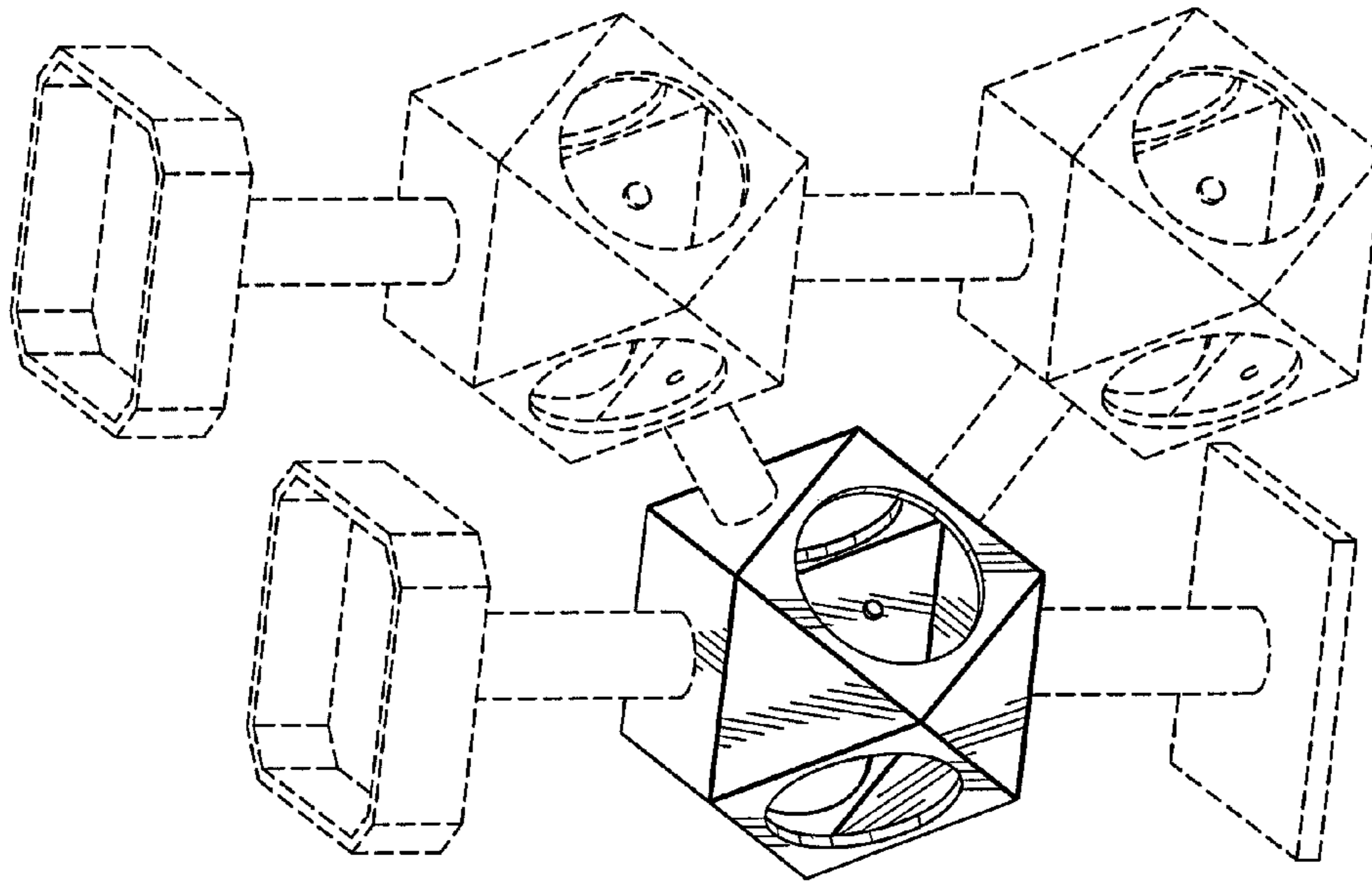


FIG. 10

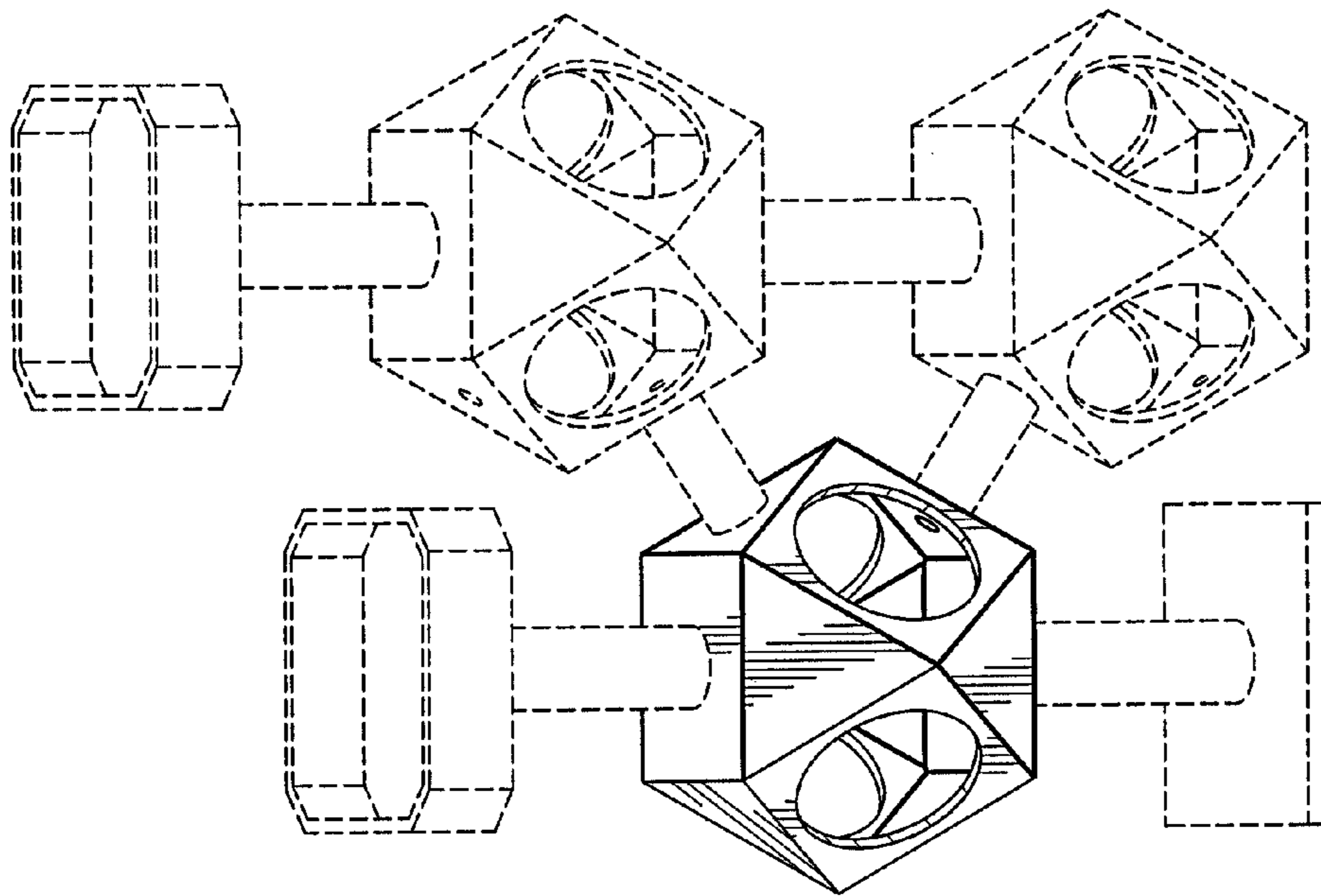


FIG. 9