



US00D702888S

(12) **United States Design Patent**  
**Dittmer et al.**

(10) **Patent No.:** **US D702,888 S**  
(45) **Date of Patent:** **\*\* Apr. 15, 2014**

(54) **PERSONAL CARE PRODUCT CONTAINER**

(71) Applicant: **Access Business Group International LLC**, Ada, MI (US)

(72) Inventors: **Jay R. Dittmer**, Ada, MI (US);  
**Stephanie M. Pohl**, Lowell, MI (US);  
**Joe D. Doucet**, New York, NY (US)

(73) Assignee: **Access Business Group International LLC**, Ada, MI (US)

(\*\*) Term: **14 Years**

(21) Appl. No.: **29/433,611**

(22) Filed: **Oct. 2, 2012**

(51) **LOC (10) Cl.** ..... **28-03**

(52) **U.S. Cl.**  
USPC ..... **D28/76**; D28/83; D3/294; D9/432

(58) **Field of Classification Search**  
USPC ..... D28/73, 76, 83; 206/581, 823; D9/420,  
D9/423, 432; D3/294; 132/286, 293-307,  
132/315

See application file for complete search history.

(56) **References Cited**

**U.S. PATENT DOCUMENTS**

D268,328 S \* 3/1983 Lovett, Jr. .... D3/295  
D285,177 S \* 8/1986 Goetz ..... D9/420  
D373,952 S \* 9/1996 Exarhos et al. .... D28/83  
D449,165 S \* 10/2001 van der Hulst ..... D3/294

D496,495 S \* 9/2004 Jeffers et al. .... D28/73  
D530,861 S \* 10/2006 Kuo ..... D28/83  
D629,201 S \* 12/2010 Demarco ..... D3/294  
8,061,492 B2 \* 11/2011 Riedel et al. .... 206/372  
D666,773 S \* 9/2012 Greenfield ..... D28/83  
D668,875 S \* 10/2012 Meng ..... D3/294  
D675,434 S \* 2/2013 Vernall et al. .... D3/294  
D691,371 S \* 10/2013 Chen ..... D3/294

\* cited by examiner

*Primary Examiner* — Jennifer Rivard

(74) *Attorney, Agent, or Firm* — Warner Norcross & Judd LLP

(57) **CLAIM**

The ornamental design for a personal care product container, as shown and described.

**DESCRIPTION**

FIG. 1 is a perspective view of the personal care product container;

FIG. 2 is a right side view, the left side being a mirror image thereof;

FIG. 3 is a front view thereof;

FIG. 4 is a rear view thereof;

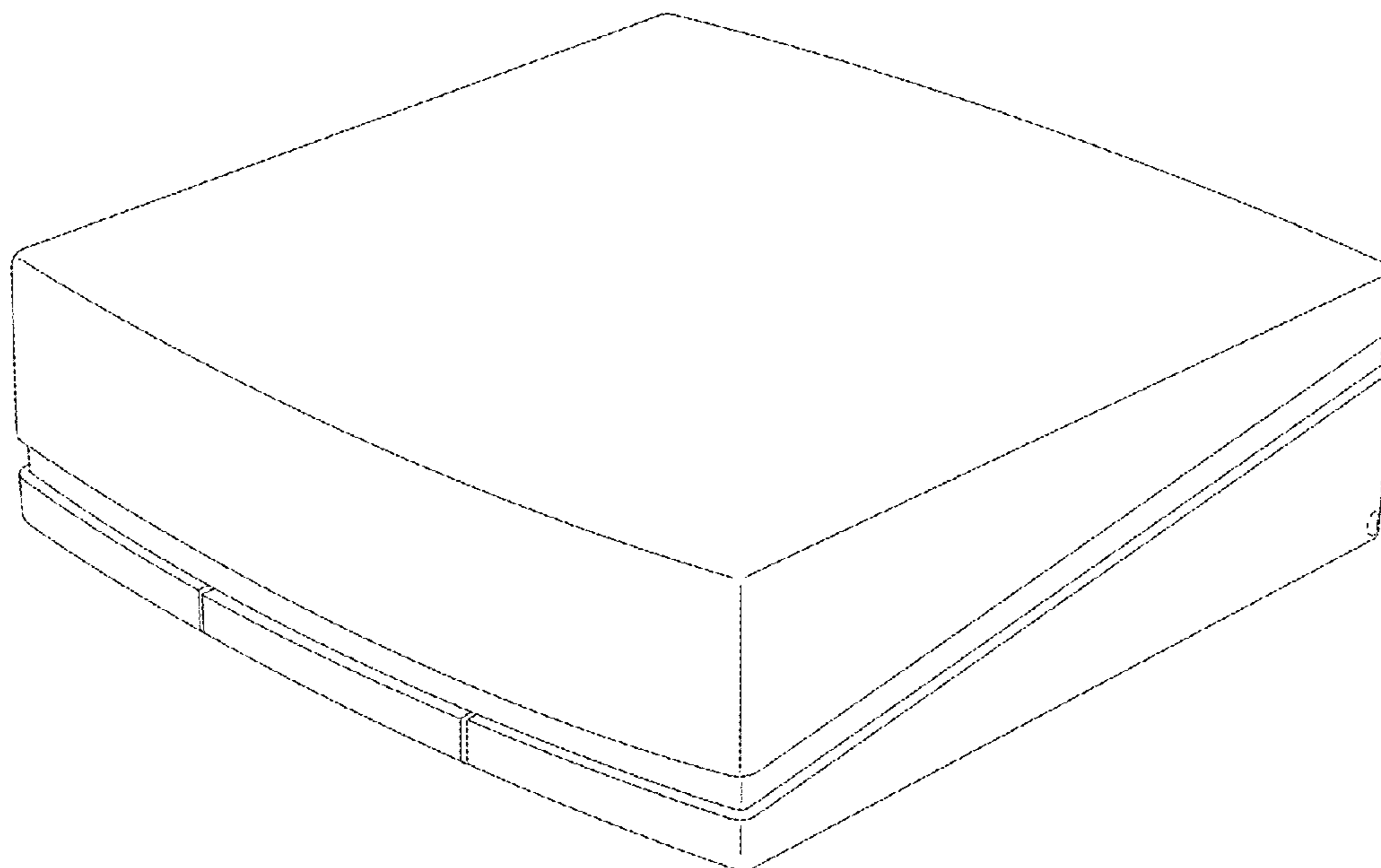
FIG. 5 is a top view thereof;

FIG. 6 is a bottom view thereof; and,

FIG. 7 is a perspective view of the personal care product container in an opened position.

FIGS. 1-2 and 7 show portions of the personal care product container in broken lines. The portions shown in broken lines form no part of the claimed design.

**1 Claim, 4 Drawing Sheets**



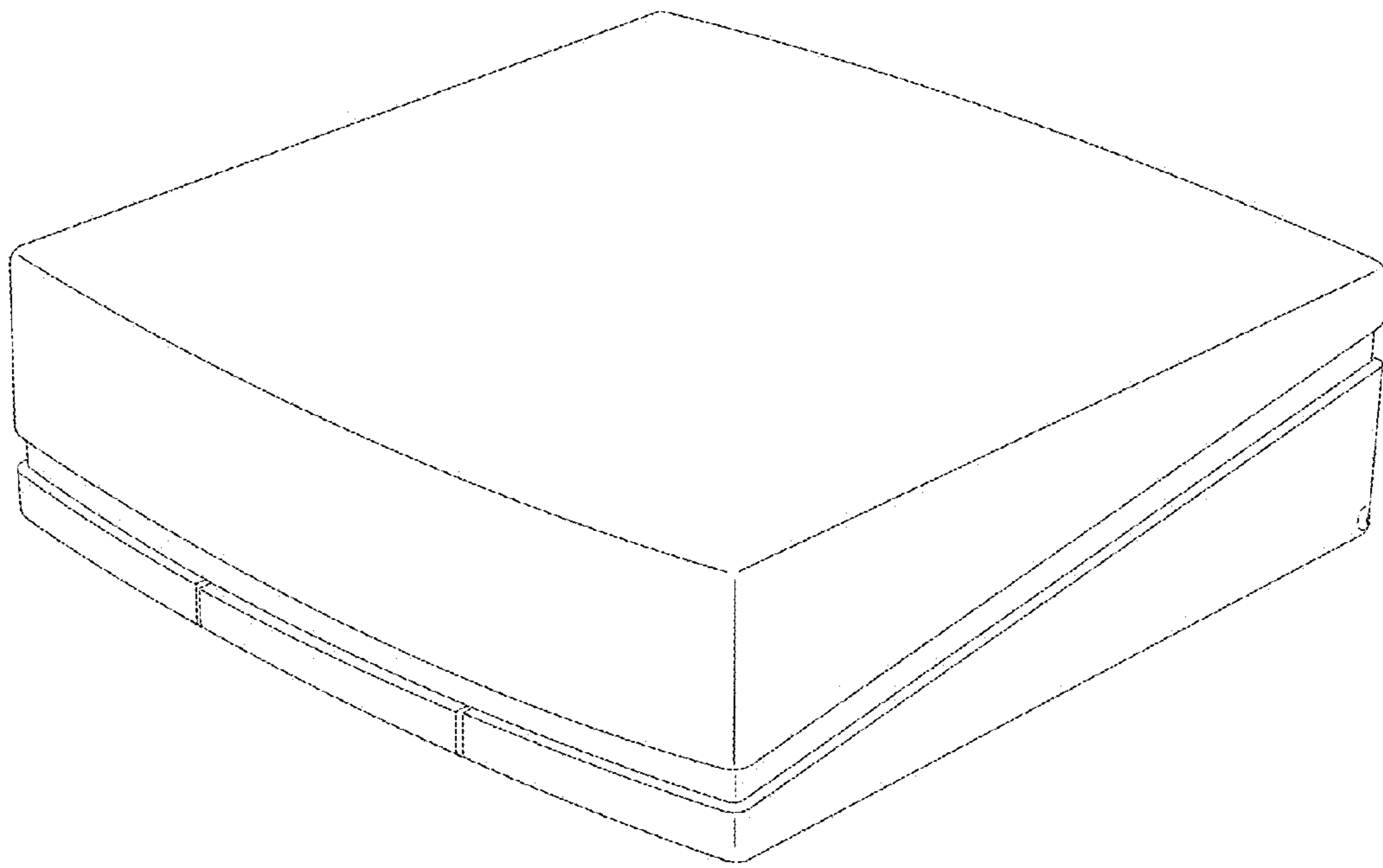


Fig. 1

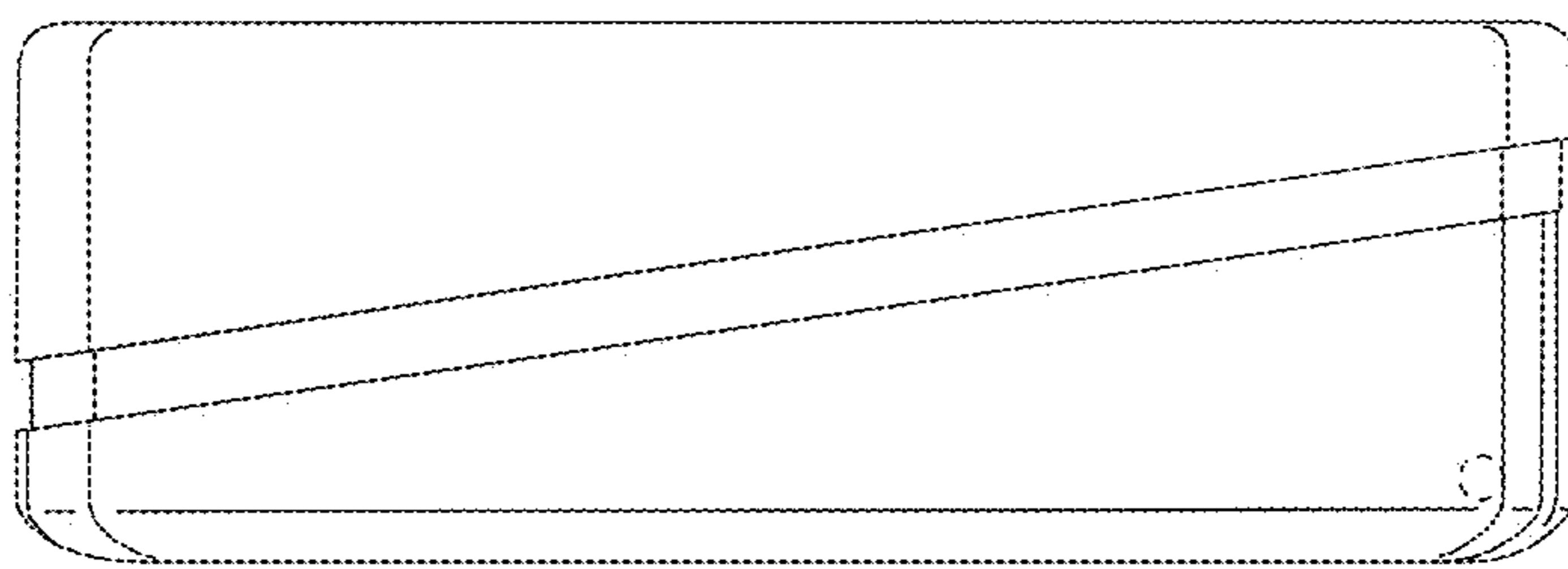


Fig. 2

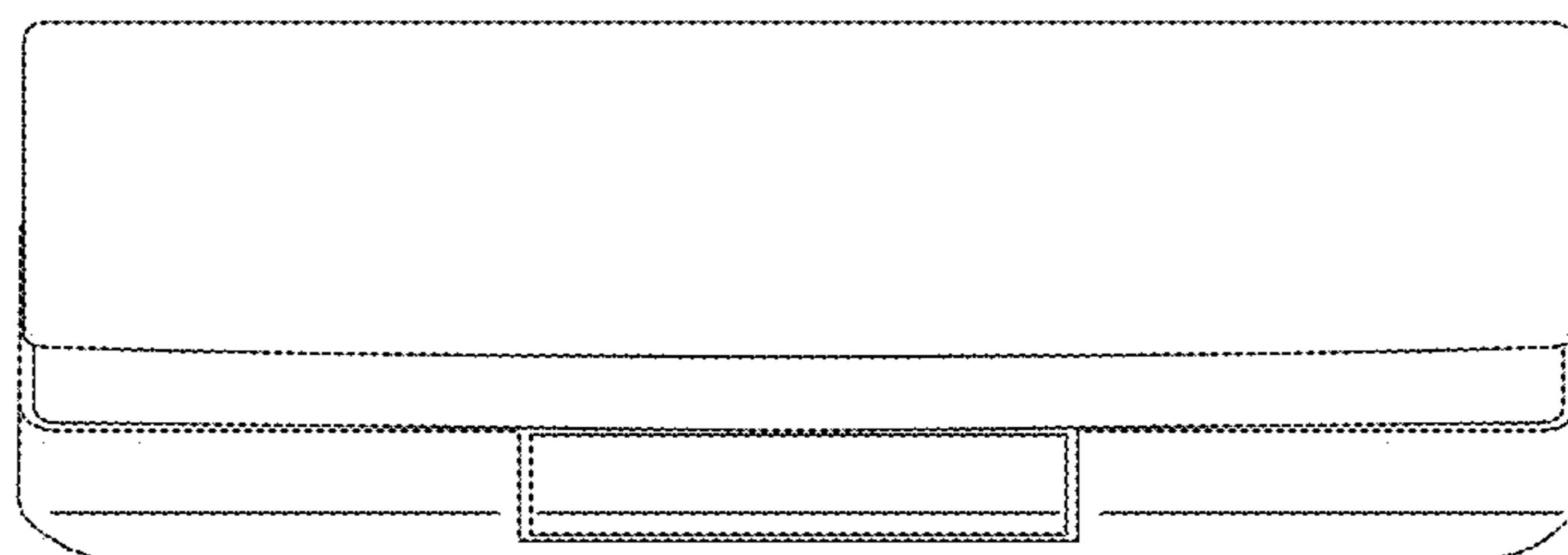


Fig. 3

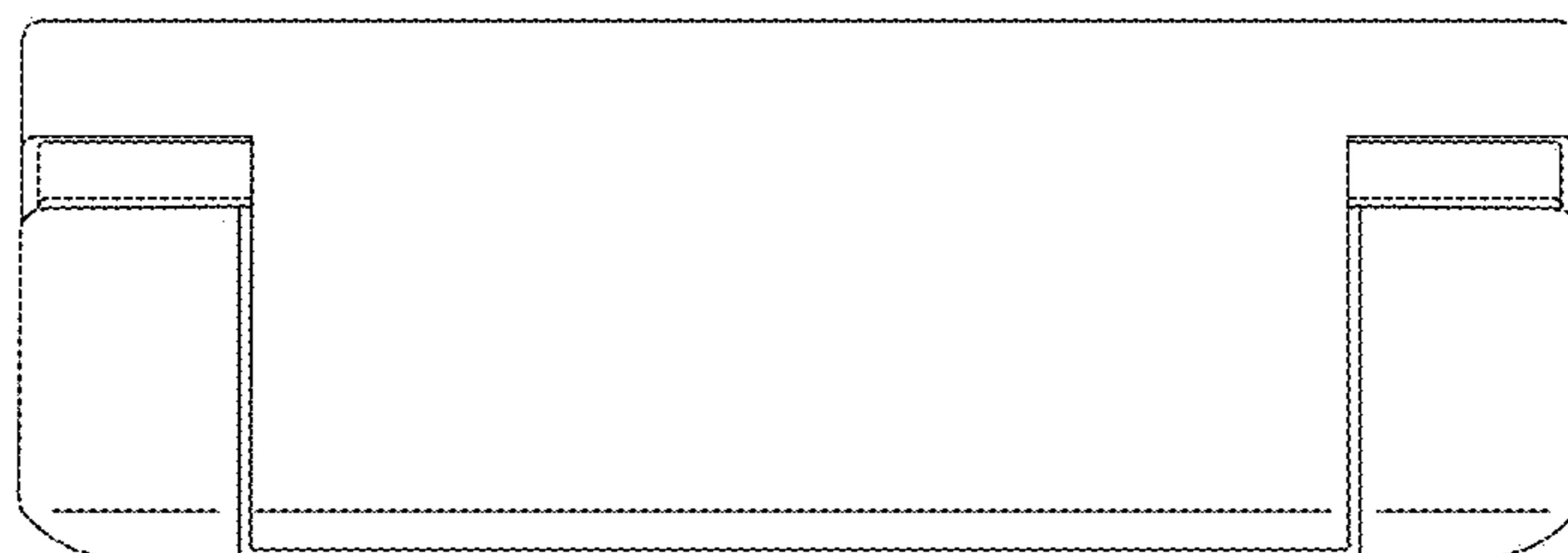


Fig. 4

Fig. 5

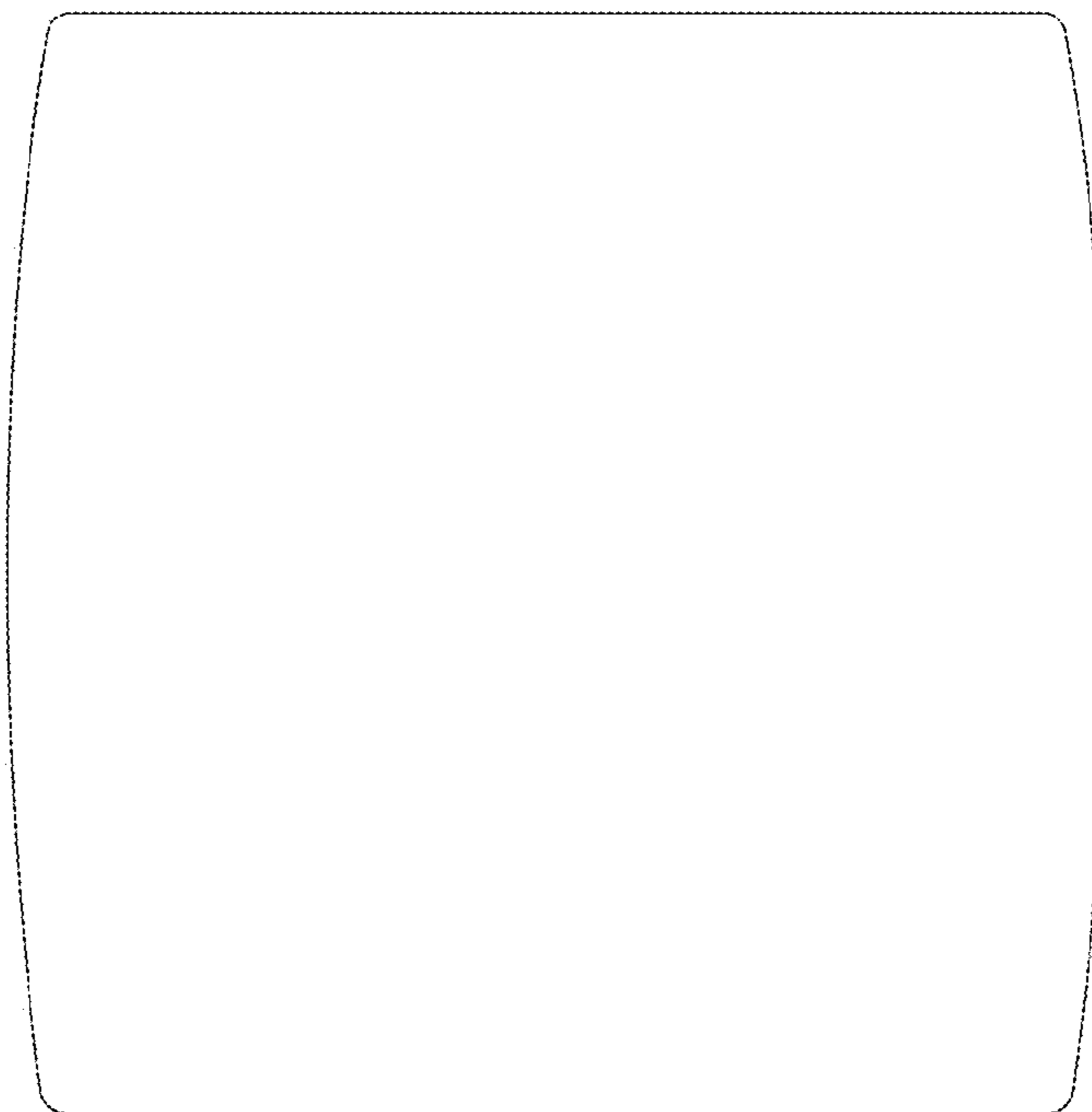


Fig. 6

