



US00D702887S

(12) **United States Design Patent**
Petrucelli

(10) **Patent No.:** **US D702,887 S**
(45) **Date of Patent:** **** Apr. 15, 2014**

(54) **WALL MOUNTABLE HOLDER WITH
RETAINING TUBES FOR HOLDING HAIR
STYLING TOOLS**

(71) Applicant: **P.S. Pibbs, Inc.**, Flushing, NY (US)

(72) Inventor: **Giulio Petrucelli**, Flushing, NY (US)

(73) Assignee: **P.S. Pibbs, Inc.**, Flushing, NY (US)

(**) Term: **14 Years**

(21) Appl. No.: **29/454,162**

(22) Filed: **May 7, 2013**

(51) **LOC (10) Cl.** **28-03**

(52) **U.S. Cl.**
USPC **D28/73; D28/38**

(58) **Field of Classification Search**
USPC 248/117.1–117.7, 249, 302, 176.2;
D8/373; D28/38, 73; D6/567, 570
See application file for complete search history.

(56) **References Cited**

U.S. PATENT DOCUMENTS

5,054,615	A *	10/1991	Stillwagon et al.	206/373
D335,603	S *	5/1993	Arenson	D6/570
D346,243	S *	4/1994	Weber	D28/38
5,727,701	A *	3/1998	Rhoades	211/70.6
5,743,415	A *	4/1998	Smart	211/70.6

6,820,755	B1 *	11/2004	Ranjit	211/70.6
D525,657	S *	7/2006	Warren, III	D28/73
D552,796	S *	10/2007	Petrucelli	D28/73
D584,857	S *	1/2009	Kirschenmann	D28/73
D603,562	S *	11/2009	Mills	D28/73
D608,054	S *	1/2010	Radfar	D28/73
D682,469	S *	5/2013	Balogh	D28/38
D692,182	S *	10/2013	Speh	D28/73
2006/0289367	A1 *	12/2006	Cossey	211/13.1

* cited by examiner

Primary Examiner — Jennifer Rivard

(74) *Attorney, Agent, or Firm* — Gerald E. Hespos; Michael J. Porco; Matthew T. Hespos

(57) **CLAIM**

The ornamental design for a wall mountable holder with retaining tubes for holding hair styling tools, as shown and described.

DESCRIPTION

FIG. 1 is a perspective view of a wall mountable holder with retaining tubes for holding hair styling tools in accordance with my design;

FIG. 2 is a top plan view thereof;

FIG. 3 is a front elevational view thereof;

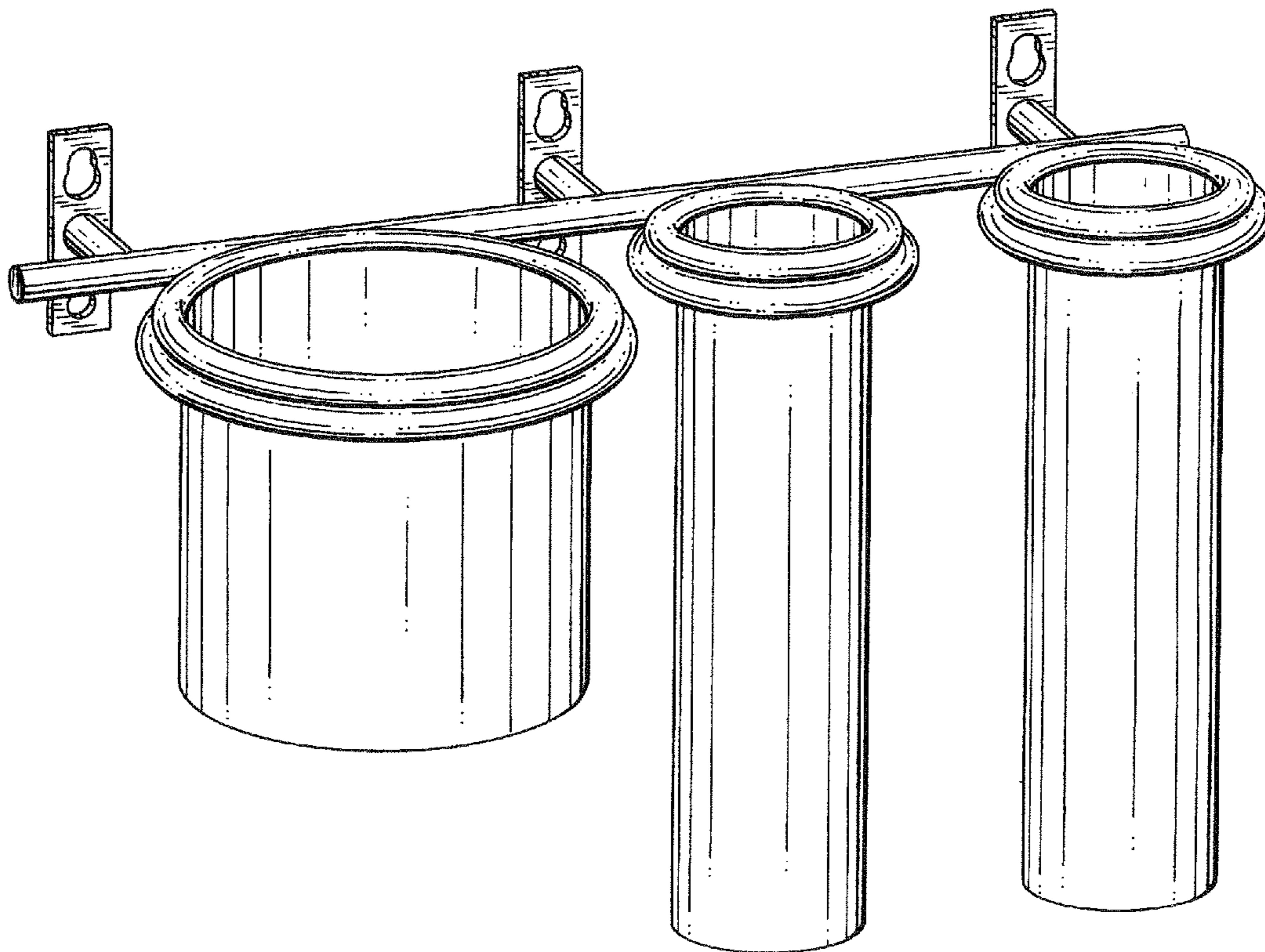
FIG. 4 is a left side elevational view thereof;

FIG. 5 is a right side elevational view thereof;

FIG. 6 is a rear elevational view thereof; and,

FIG. 7 is a bottom plan view thereof.

1 Claim, 7 Drawing Sheets



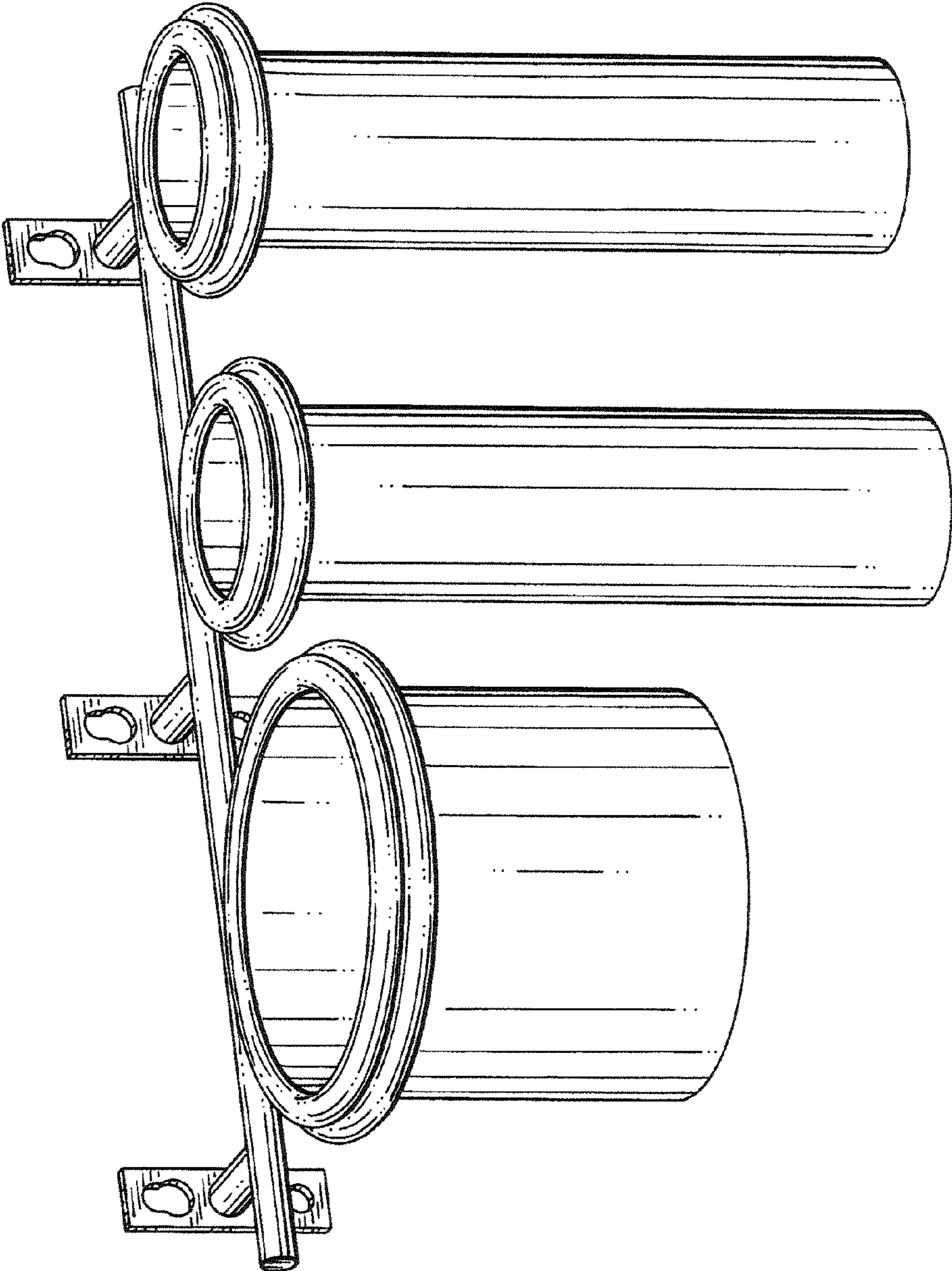


FIG.1

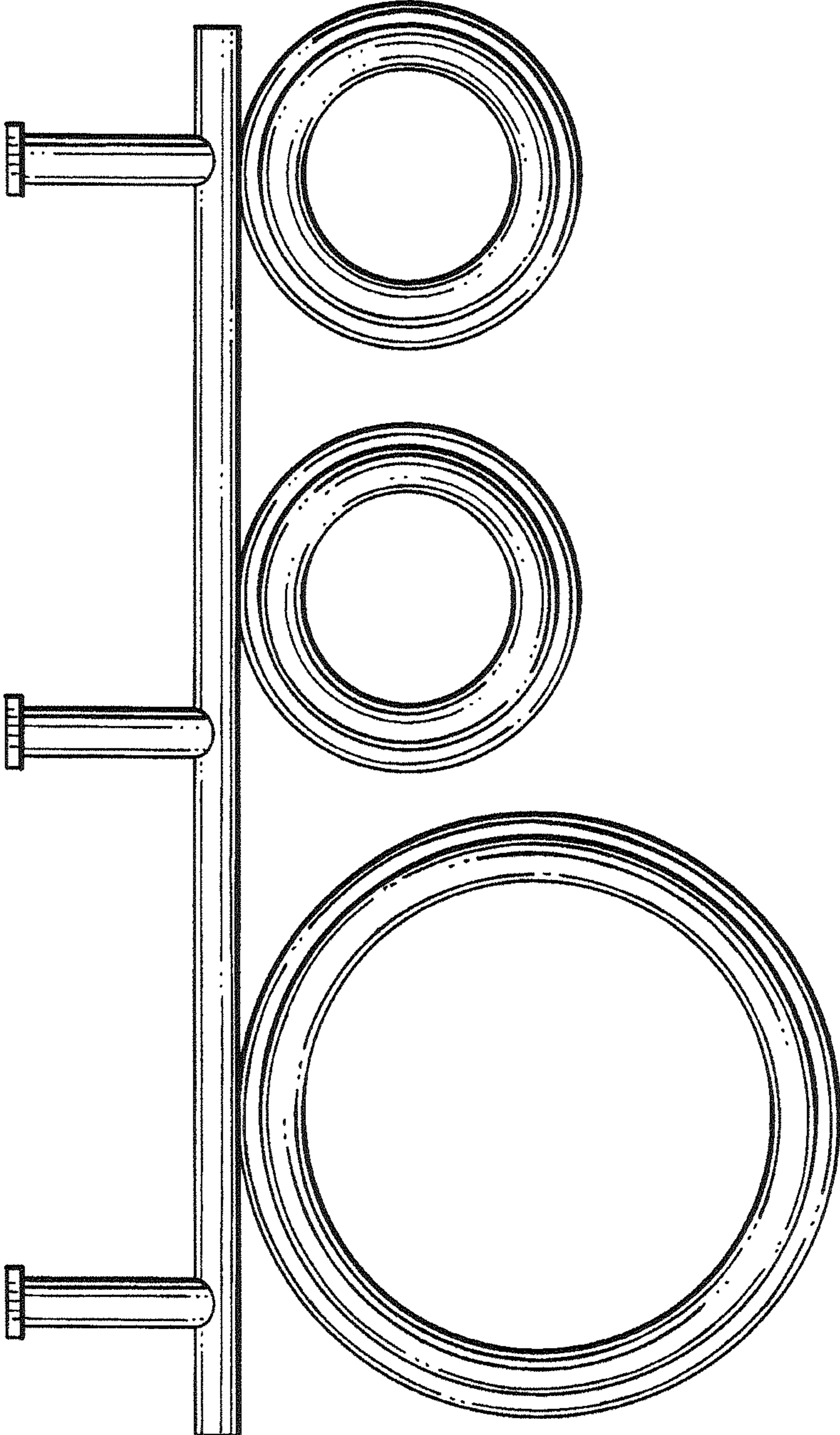


FIG.2

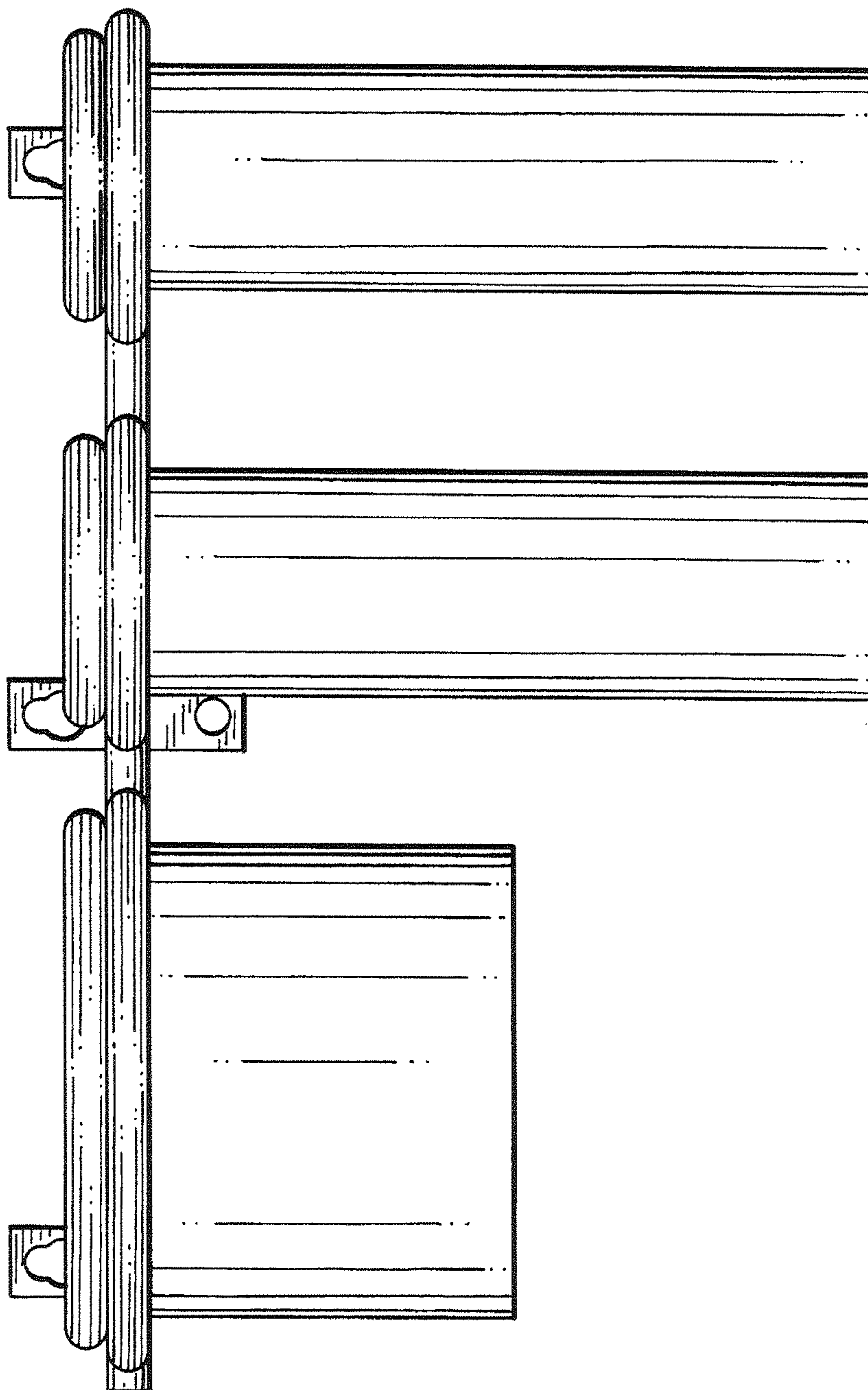


FIG.3

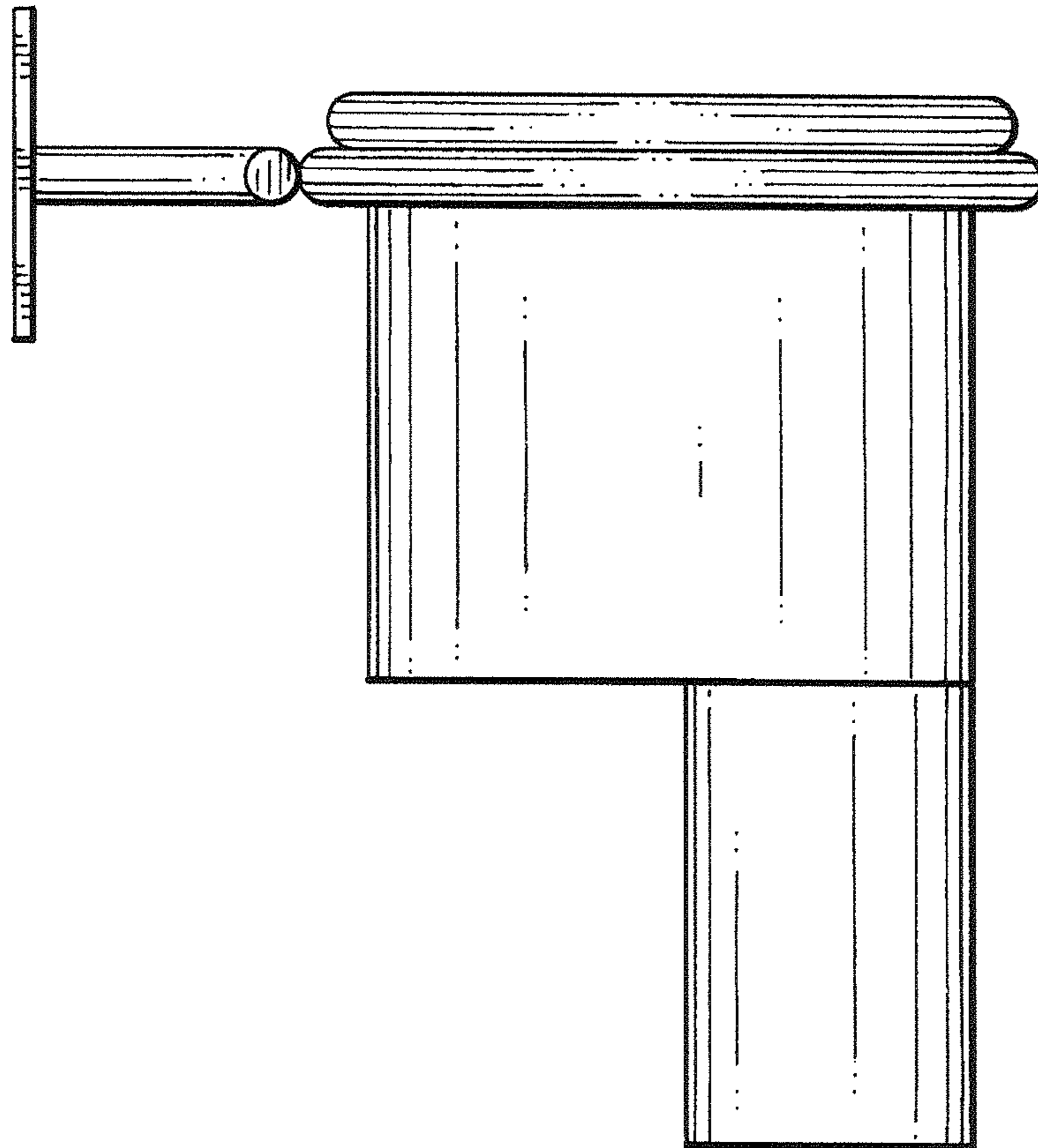


FIG.4

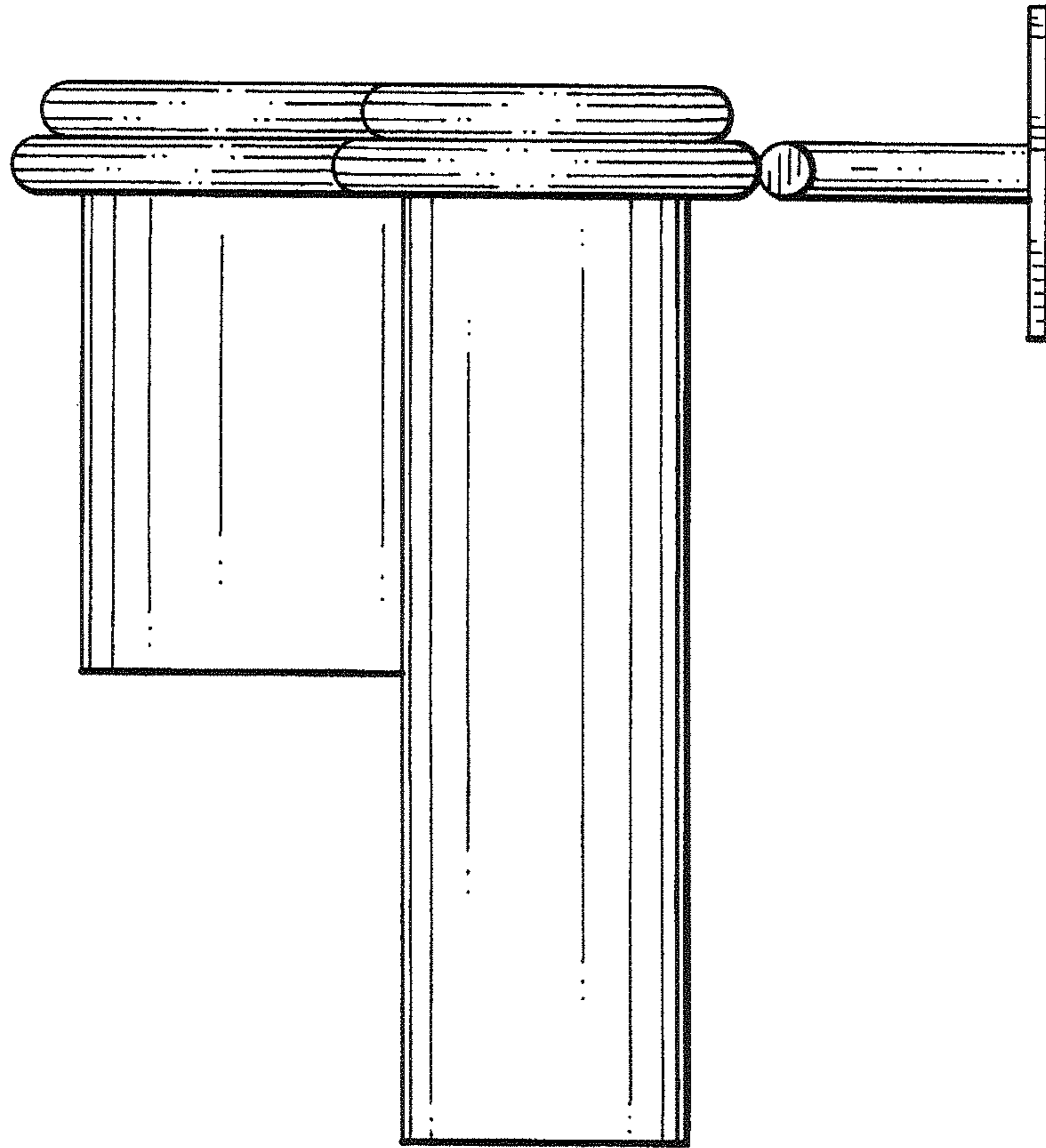


FIG.5

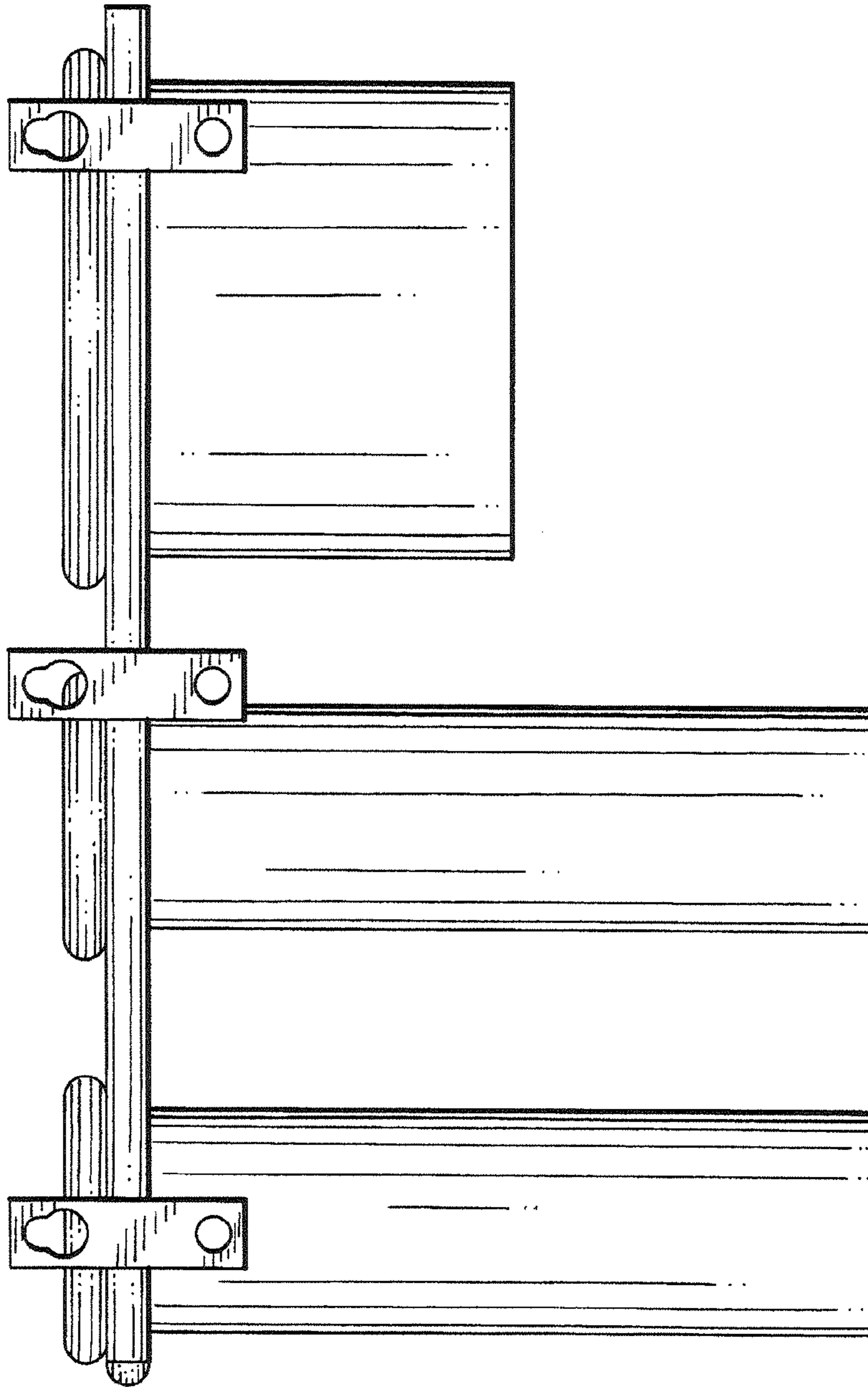


FIG. 6

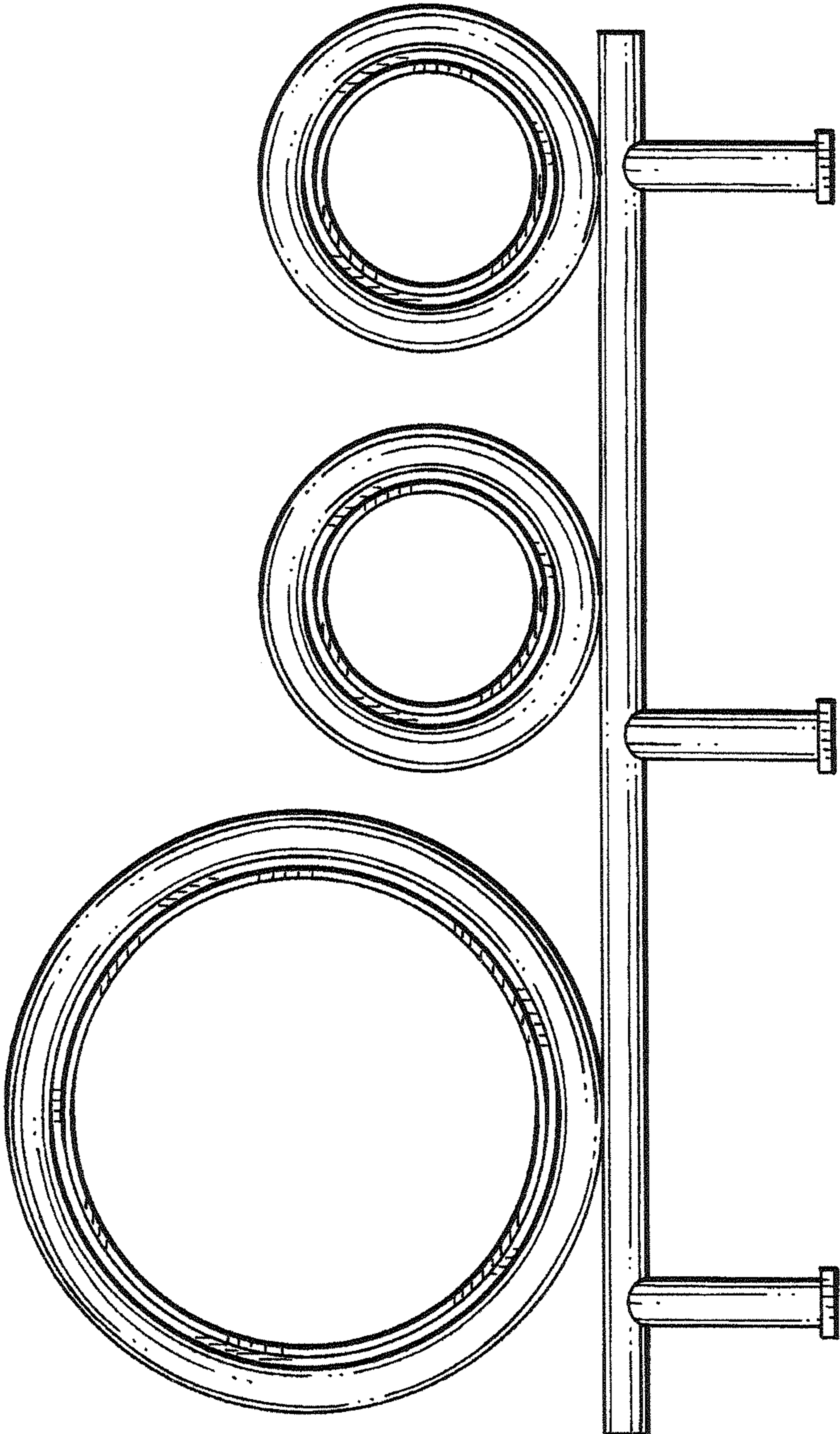


FIG. 7