



US00D702885S

(12) **United States Design Patent**
Petrucelli

(10) **Patent No.:** **US D702,885 S**

(45) **Date of Patent:** **** Apr. 15, 2014**

(54) **HOLDER FOR HAIR STYLING TOOLS**

(75) Inventor: **Giulio Petrucelli**, Flushing, NY (US)

(73) Assignee: **P.S. Pibbs, Inc.**, Flushing, NY (US)

(**) Term: **14 Years**

(21) Appl. No.: **29/418,116**

(22) Filed: **Apr. 12, 2012**

(51) **LOC (10) Cl.** **28-03**

(52) **U.S. Cl.**
USPC **D28/73; D28/38**

(58) **Field of Classification Search**
USPC 248/117.1–117.7, 249, 302, 176.2;
D8/373; D28/38, 73; D6/567, 570
See application file for complete search history.

(56) **References Cited**

U.S. PATENT DOCUMENTS

4,446,972	A *	5/1984	Sussman	211/70.6
5,054,615	A *	10/1991	Stillwagon et al.	211/70.6
5,402,899	A *	4/1995	Ammeson	248/117.2
D373,849	S *	9/1996	Passalacqua	D28/38
D377,695	S *	1/1997	Puckett	D28/38
6,703,587	B2 *	3/2004	Sena et al.	219/222
7,137,584	B2 *	11/2006	Wong	211/70.6

D558,925	S *	1/2008	Skyles	D28/73
D603,095	S *	10/2009	Petrucelli	D28/38
D669,635	S *	10/2012	Goodman et al.	D28/73
D669,636	S *	10/2012	Goodman et al.	D28/73

* cited by examiner

Primary Examiner — Jennifer Rivard

(74) *Attorney, Agent, or Firm* — Gerald E. Hespos; Michael J. Porco; Matthew T. Hespos

(57) **CLAIM**

The ornamental design for a holder for hair styling tools, as shown and described.

DESCRIPTION

FIG. 1 is a perspective view of a holder for hair styling tools in accordance with my design;
FIG. 2 is a front elevational view of the holder for hair styling tools of FIG. 1;
FIG. 3 is a top plan view thereof;
FIG. 4 is a left side elevational view thereof;
FIG. 5 is a right side elevational view thereof;
FIG. 6 is a rear elevational view thereof; and,
FIG. 7 is a bottom plan view thereof.

The broken lines shown in the drawings illustrate the environment of the holder and form no part of the claimed design.

1 Claim, 7 Drawing Sheets

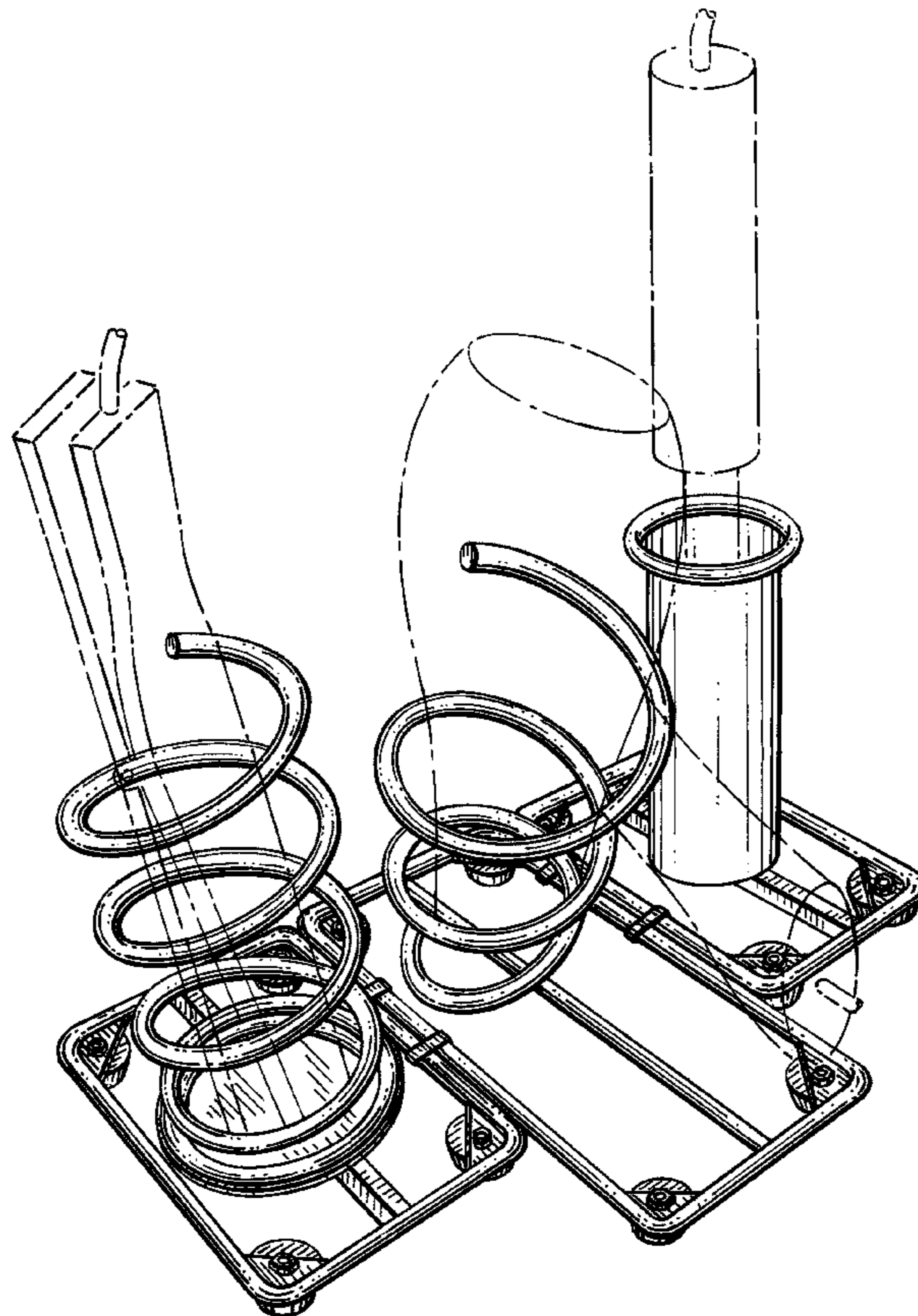


FIG. 1

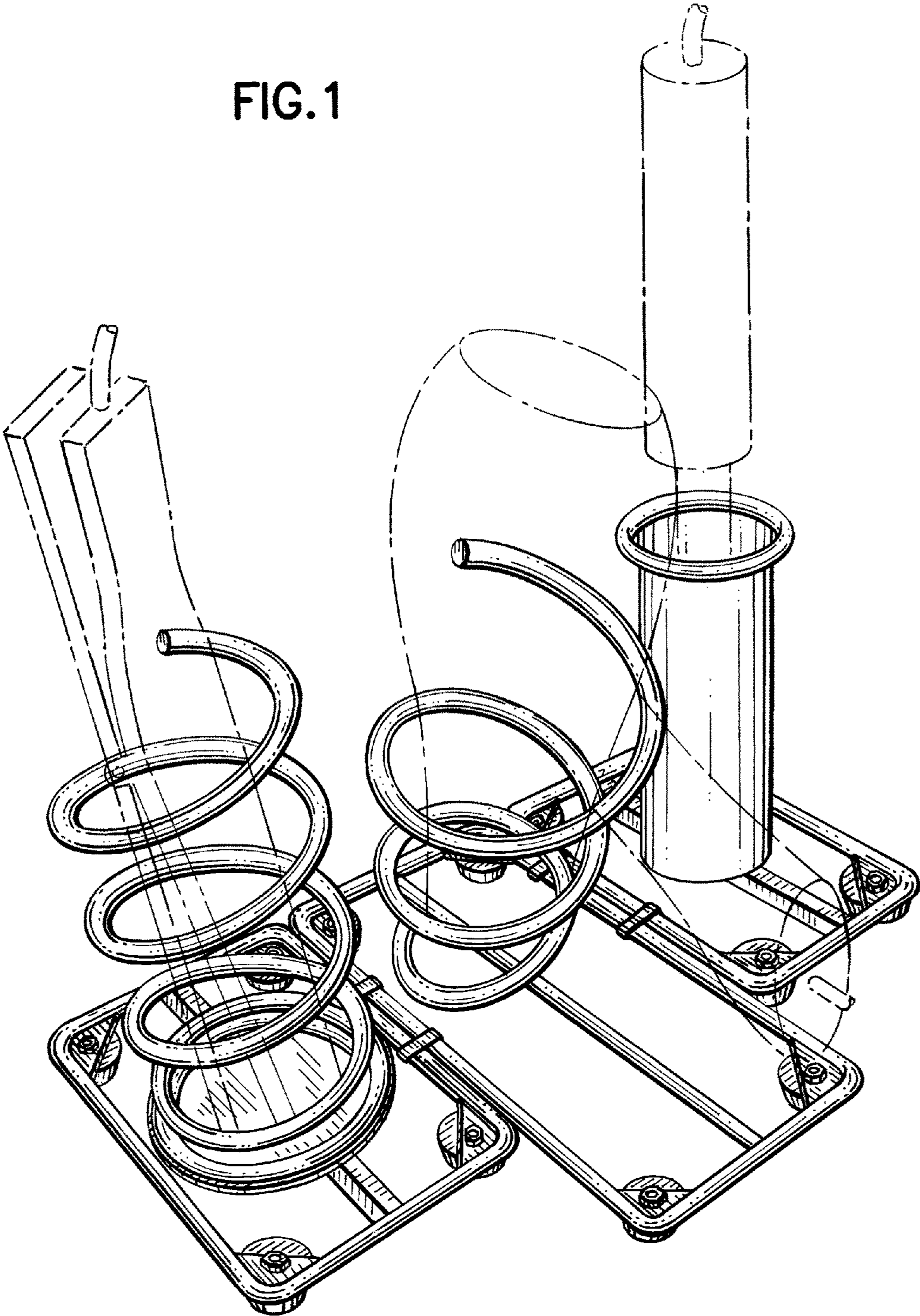


FIG.2

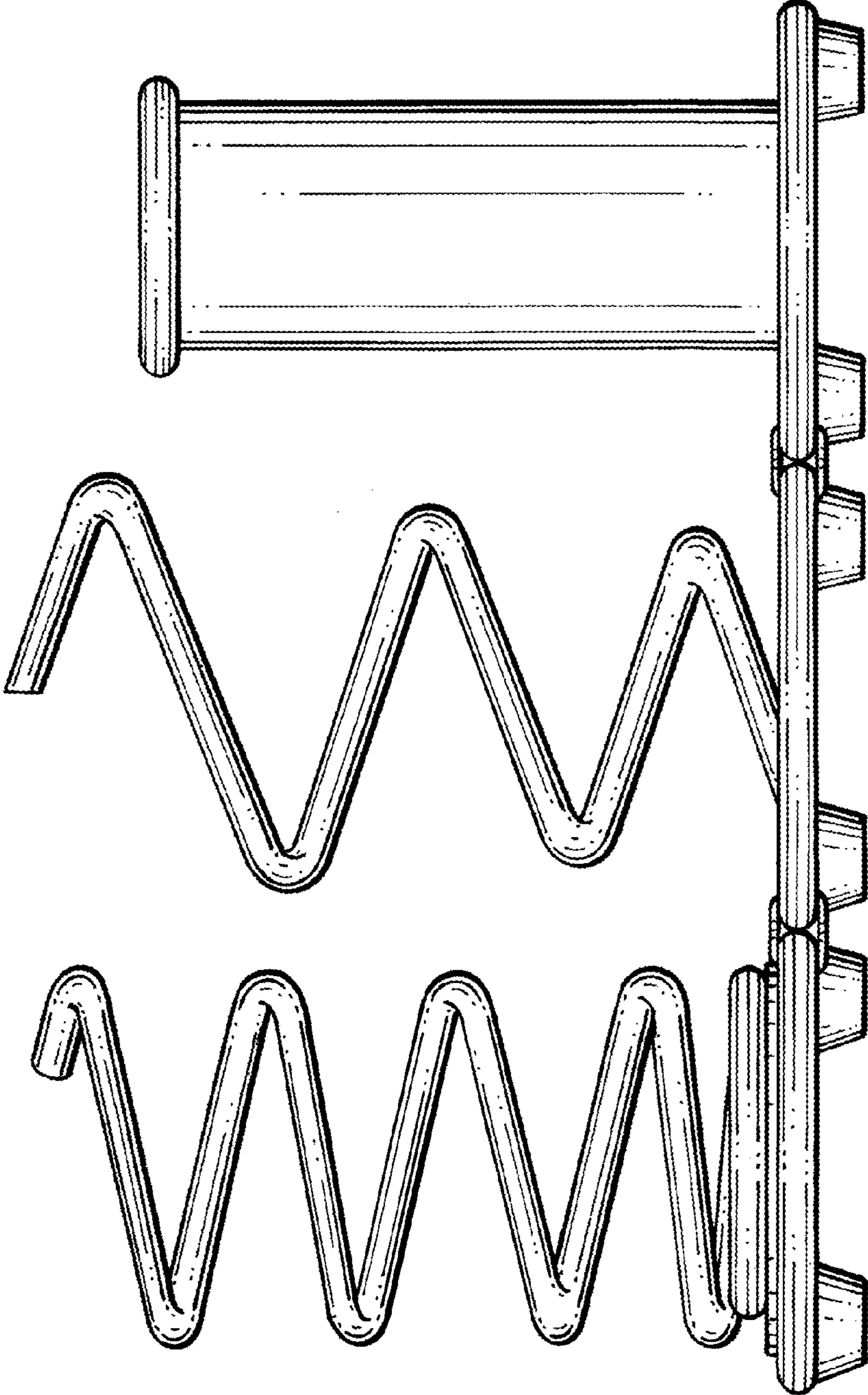


FIG. 3

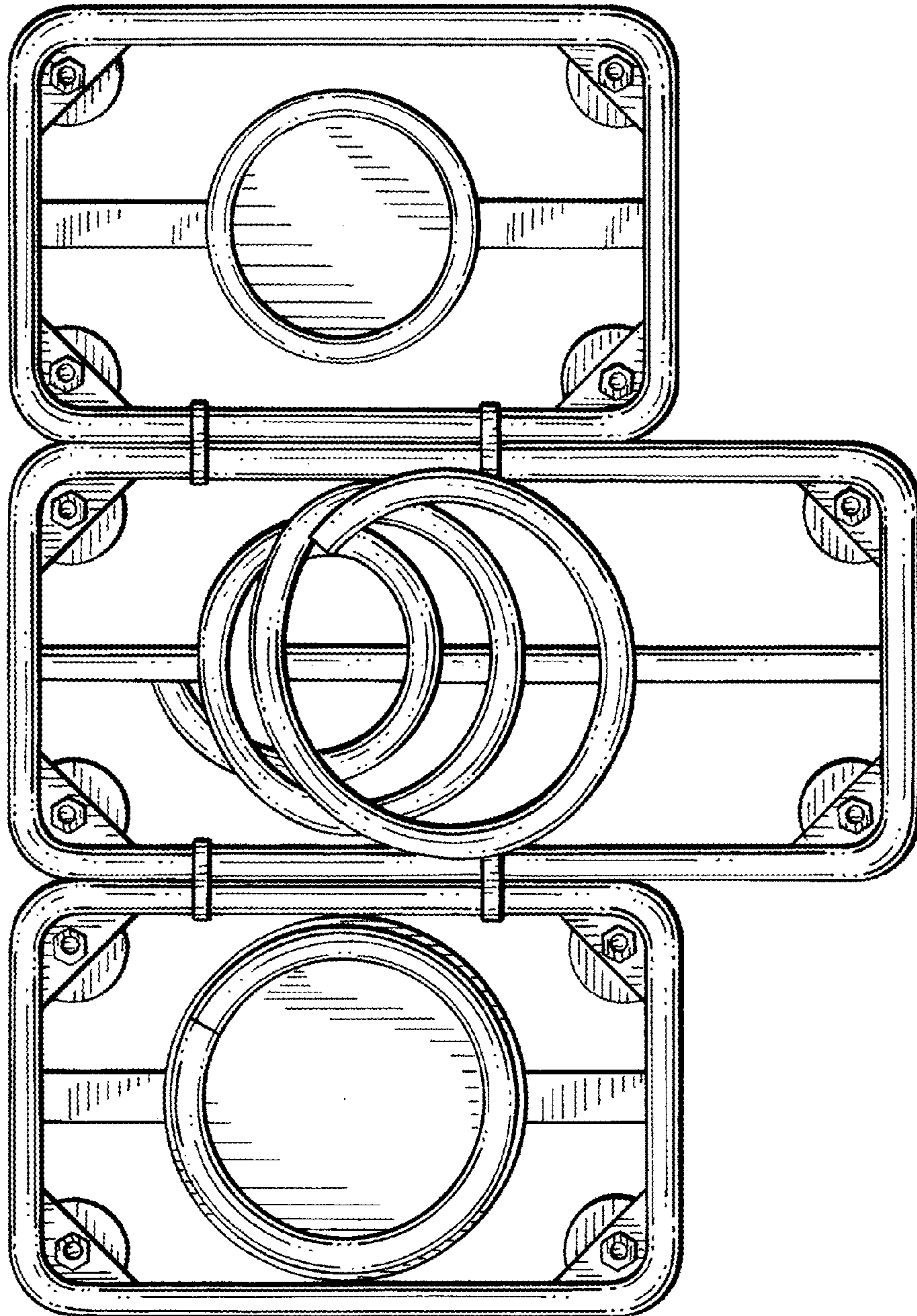


FIG.4

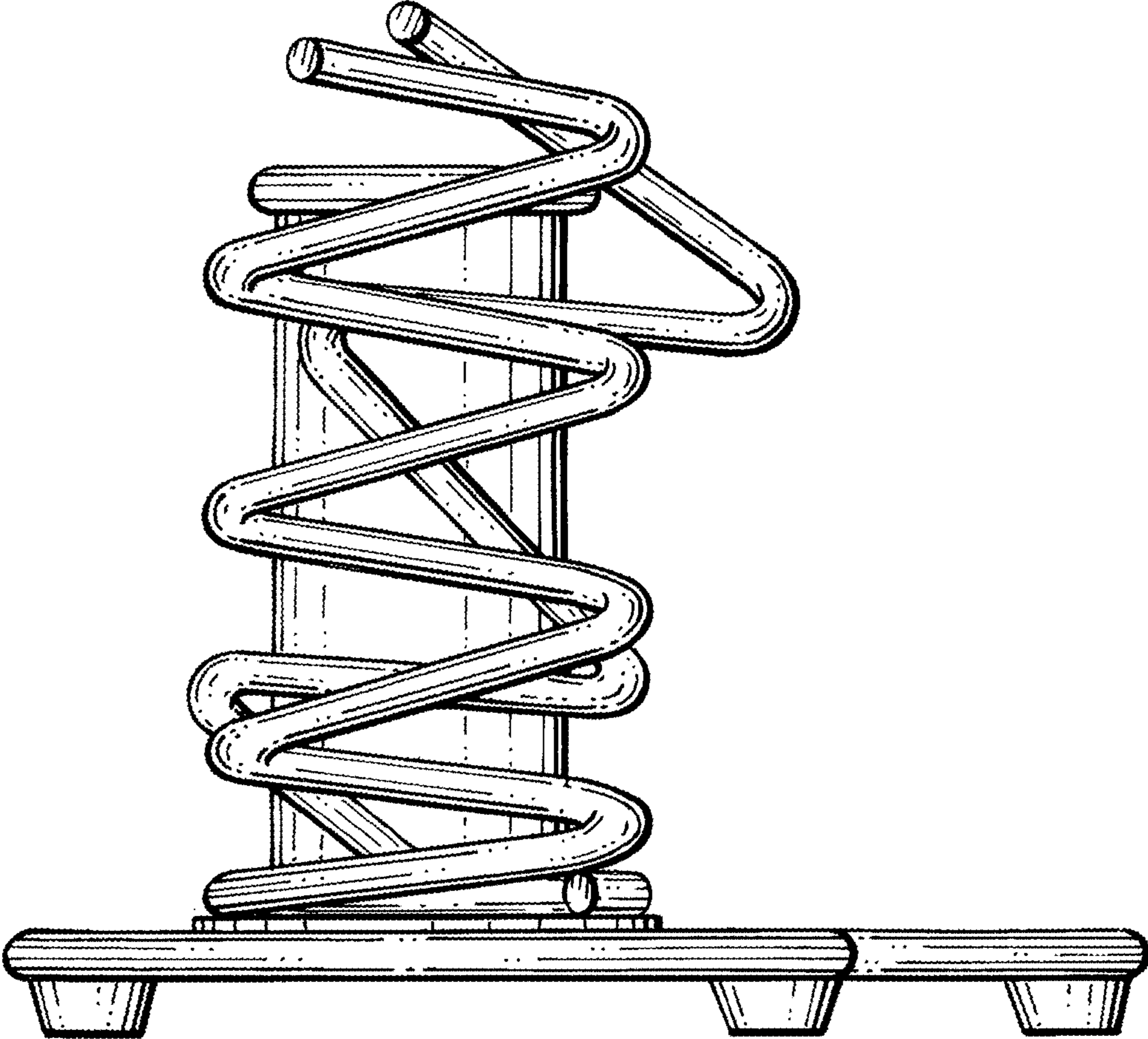


FIG. 5

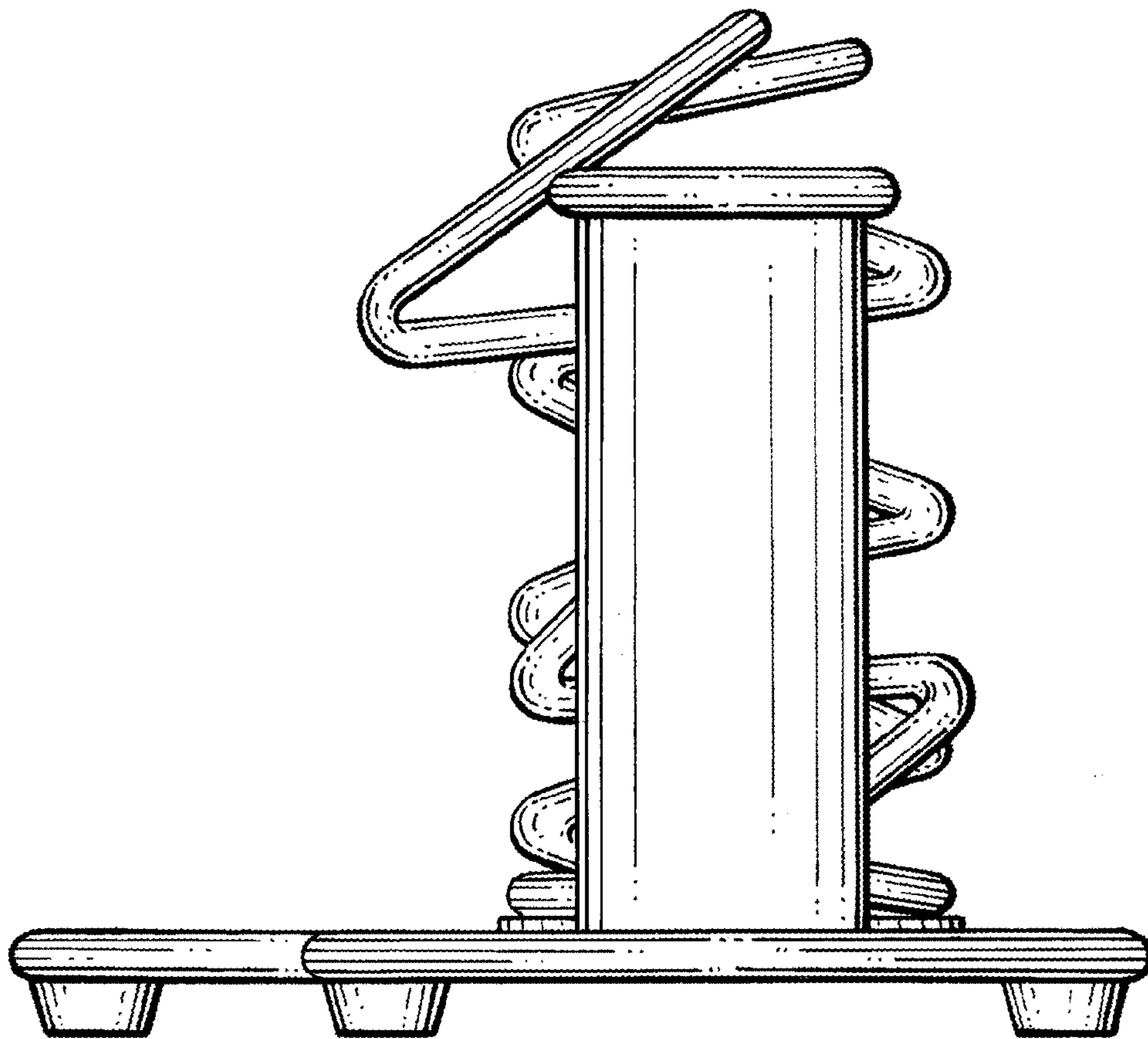


FIG.6

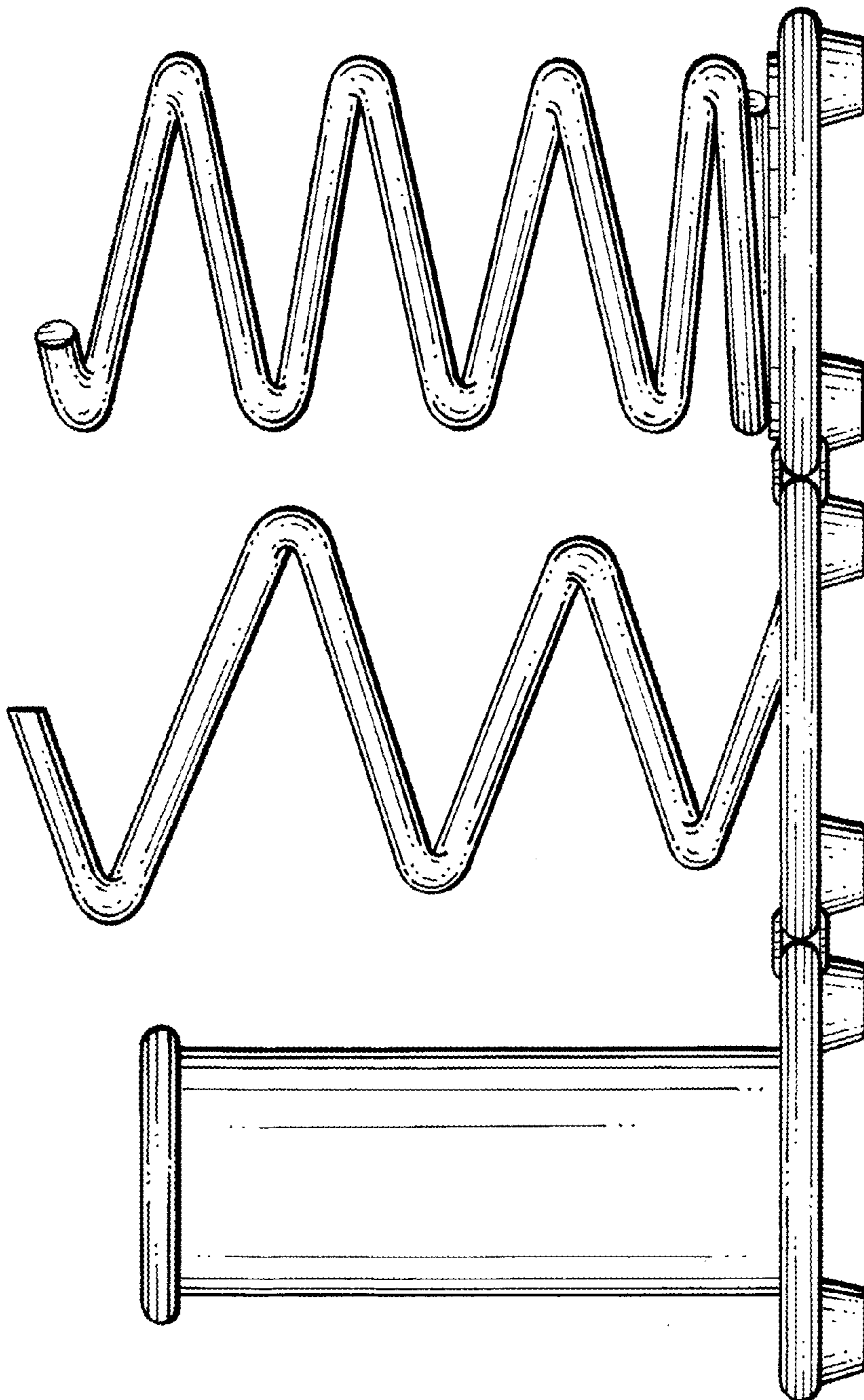


FIG. 7

