



US00D702880S

(12) **United States Design Patent**
Tsai

(10) **Patent No.:** **US D702,880 S**

(45) **Date of Patent:** **** Apr. 15, 2014**

(54) **HAIR DYEING COMB**

(71) Applicant: **Kai-Mou Tsai**, Taipei (TW)

(72) Inventor: **Kai-Mou Tsai**, Taipei (TW)

(**) Term: **14 Years**

(21) Appl. No.: **29/466,951**

(22) Filed: **Sep. 13, 2013**

(51) **LOC (10) Cl.** **28-01**

(52) **U.S. Cl.**
USPC **D28/7; D28/30**

(58) **Field of Classification Search**
USPC D28/7, 20-34, 39-43; 132/53, 101,
132/112, 126, 128-131, 144, 148, 150, 208,
132/216, 219, 275-284; D32/49; 15/142,
15/143.1; D30/158, 159
See application file for complete search history.

(56) **References Cited**

U.S. PATENT DOCUMENTS

D369,435 S * 4/1996 Bozak D28/30
D385,657 S * 10/1997 Ostlund D28/30

D402,080 S * 12/1998 La Fauci D28/30
D593,710 S * 6/2009 Wise et al. D28/30
D601,751 S * 10/2009 Day D28/30
D684,315 S * 6/2013 Tsai D28/30
D691,325 S * 10/2013 Tsai D28/7

* cited by examiner

Primary Examiner — Zenia Bennett

(74) *Attorney, Agent, or Firm* — Rosenberg, Klein & Lee

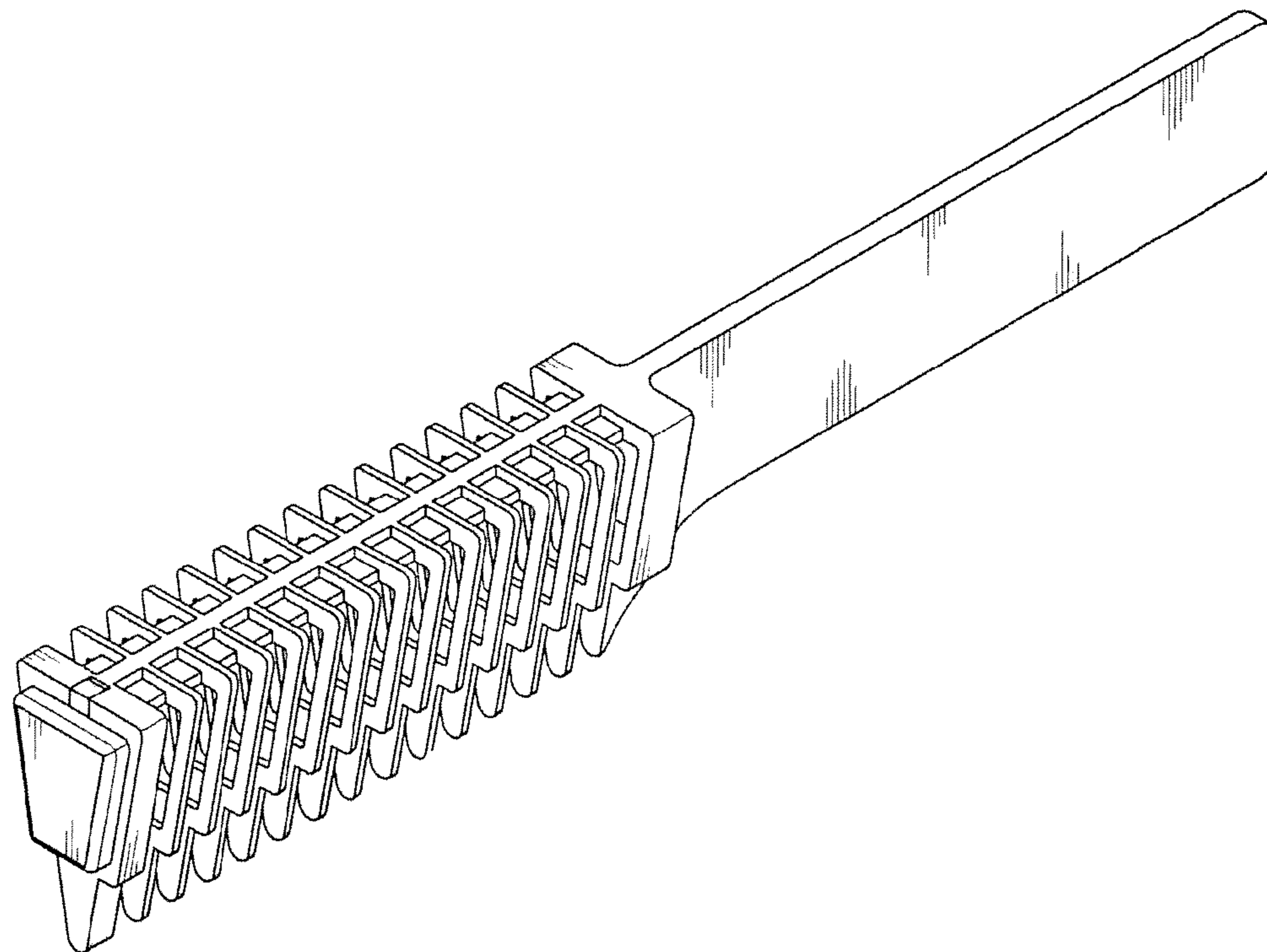
(57) **CLAIM**

The ornamental design for a hair dyeing comb, as shown and described.

DESCRIPTION

FIG. 1 is a perspective view of a hair dyeing comb, showing my new design;
FIG. 2 is a top plan view thereof;
FIG. 3 is a bottom plan view thereof;
FIG. 4 is a front elevational view thereof;
FIG. 5 is a rear elevational view thereof;
FIG. 6 is a left side elevational view thereof; and,
FIG. 7 is a right side elevational view thereof.

1 Claim, 4 Drawing Sheets



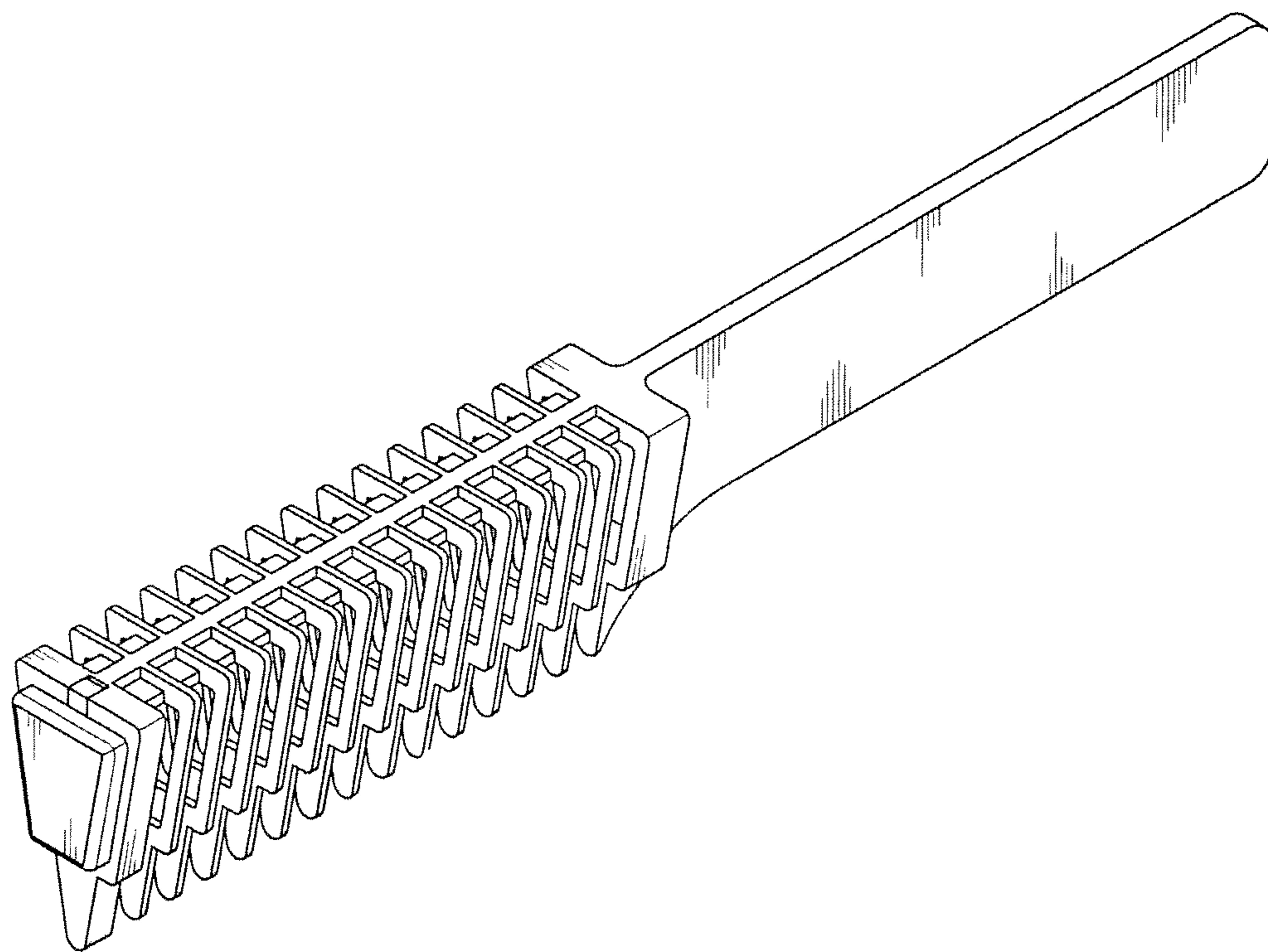


FIG. 1

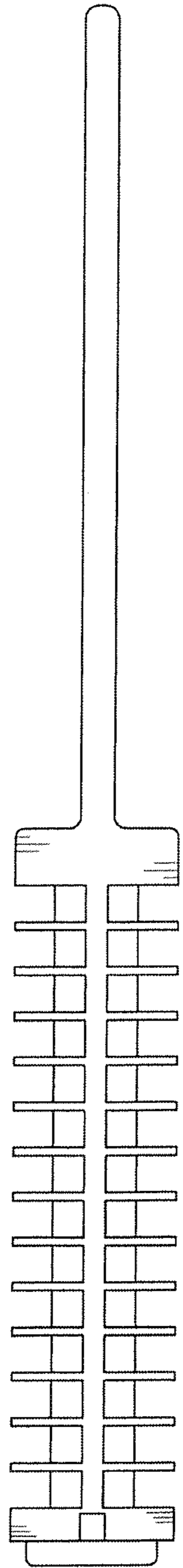


FIG. 2

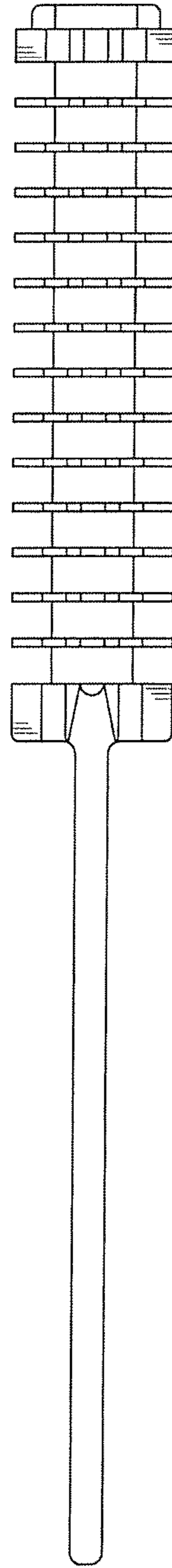


FIG. 3

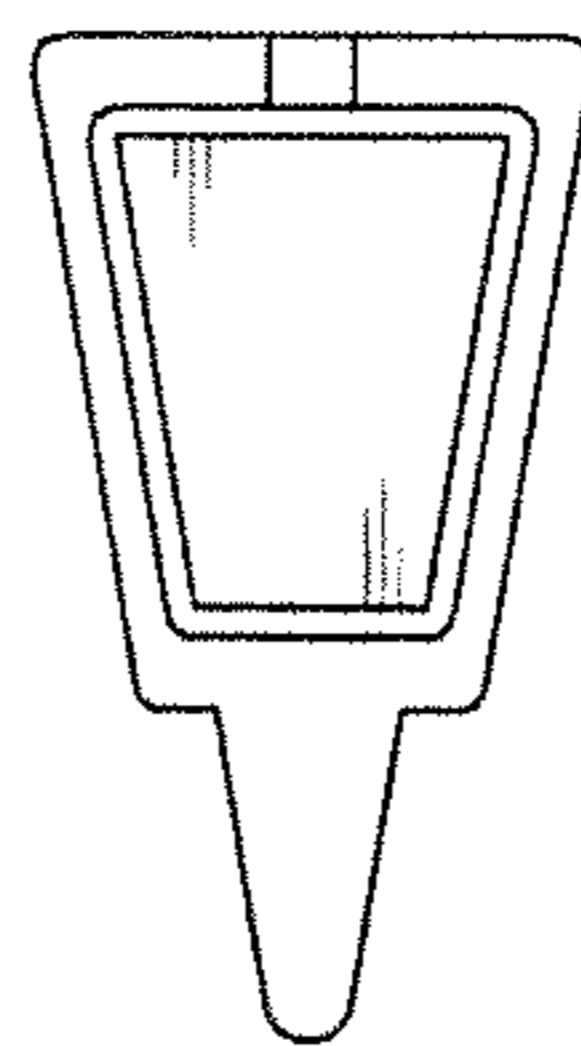


FIG. 4

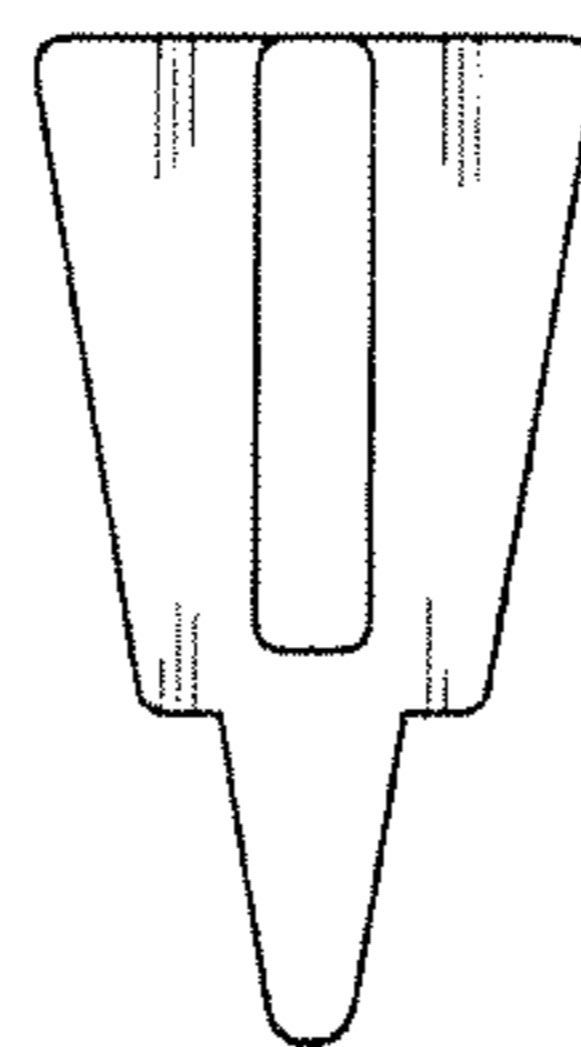


FIG. 5

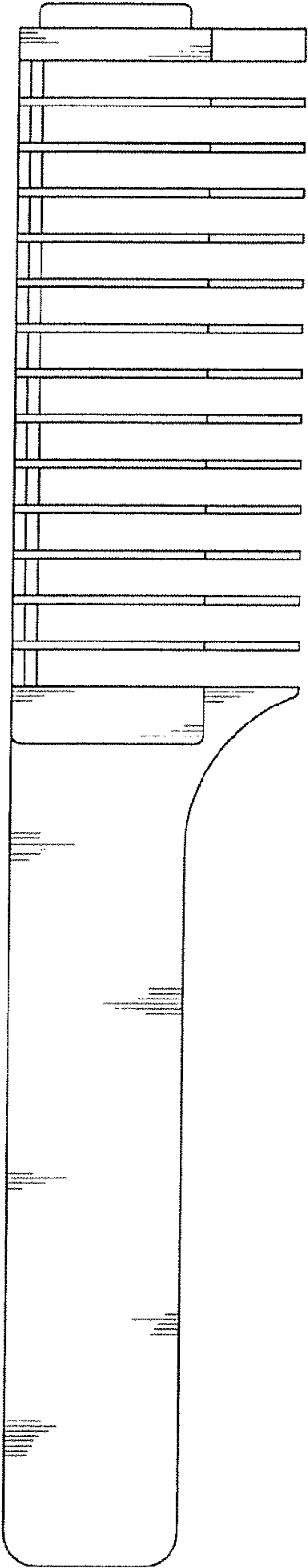


FIG. 6

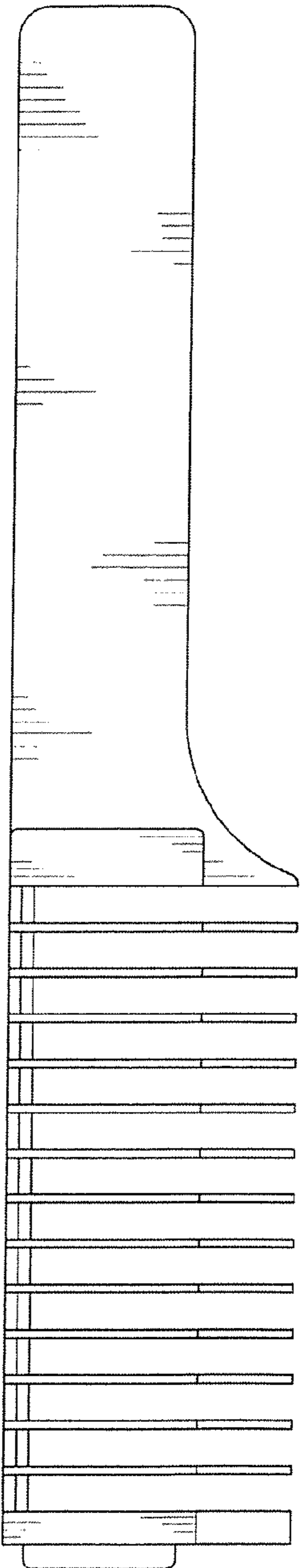


FIG. 7