



US00D702876S

(12) **United States Design Patent**
Liu

(10) **Patent No.:** **US D702,876 S**
(45) **Date of Patent:** **** Apr. 15, 2014**

(54) **TOBACCO VAPORIZER**

(71) Applicant: **Shuigen Liu**, Guangdong (CN)

(72) Inventor: **Shuigen Liu**, Guangdong (CN)

(**) Term: **14 Years**

(21) Appl. No.: **29/439,295**

(22) Filed: **Dec. 10, 2012**

(51) **LOC (10) Cl.** **27-99**

(52) **U.S. Cl.**
USPC **D27/194**

(58) **Field of Classification Search**
USPC D27/173, 104, 105, 106, 107, 110, 109,
D27/195, 189, 165, 166, 164, 163, 162, 157,
D27/188, 154, 155, 156, 159; D9/416, 504,
D9/529, 545, 688, 500, 772; D28/89;
131/360, 347, 273, 328, 329, 330, 173
See application file for complete search history.

(56) **References Cited**

U.S. PATENT DOCUMENTS

5,042,510	A *	8/1991	Curtiss et al.	131/273
5,638,833	A *	6/1997	Bowen et al.	131/202
5,687,745	A *	11/1997	Yalcin	131/173
5,934,289	A *	8/1999	Watkins et al.	131/328
6,196,218	B1 *	3/2001	Voges	128/200.14
6,606,998	B1 *	8/2003	Gold	131/273
D581,520	S *	11/2008	Williams et al.	D24/110
7,826,726	B2 *	11/2010	McCoy	392/407
D655,036	S *	2/2012	Zhou	D27/101
D682,465	S *	5/2013	Yeom	D27/194
D683,897	S *	6/2013	Liu	D27/170
D684,311	S *	6/2013	Liu	D27/101
D687,181	S *	7/2013	Goch	D27/101
8,490,628	B2 *	7/2013	Hon	131/194
8,495,998	B2 *	7/2013	Schennum	128/200.23
D688,416	S *	8/2013	Liu	D27/101

8,511,318	B2 *	8/2013	Hon	131/273
8,528,569	B1 *	9/2013	Newton	131/194
8,550,068	B2 *	10/2013	Terry et al.	128/202.21
2006/0254604	A1 *	11/2006	Martinez Fernandez	131/273
2009/0095311	A1 *	4/2009	Han	131/194
2010/0031968	A1 *	2/2010	Sheikh et al.	131/347
2010/0200008	A1 *	8/2010	Taieb	131/360
2010/0307518	A1 *	12/2010	Wang	131/329
2011/0036346	A1 *	2/2011	Cohen et al.	128/200.14
2011/0232654	A1 *	9/2011	Mass	131/273
2012/0111347	A1 *	5/2012	Hon	131/329
2012/0186593	A1 *	7/2012	Grano et al.	131/202
2012/0260926	A1 *	10/2012	Tu et al.	131/329
2012/0312313	A1 *	12/2012	Frija	131/329
2013/0068239	A1 *	3/2013	Youn	131/273

* cited by examiner

Primary Examiner — Kevin Rudzinski

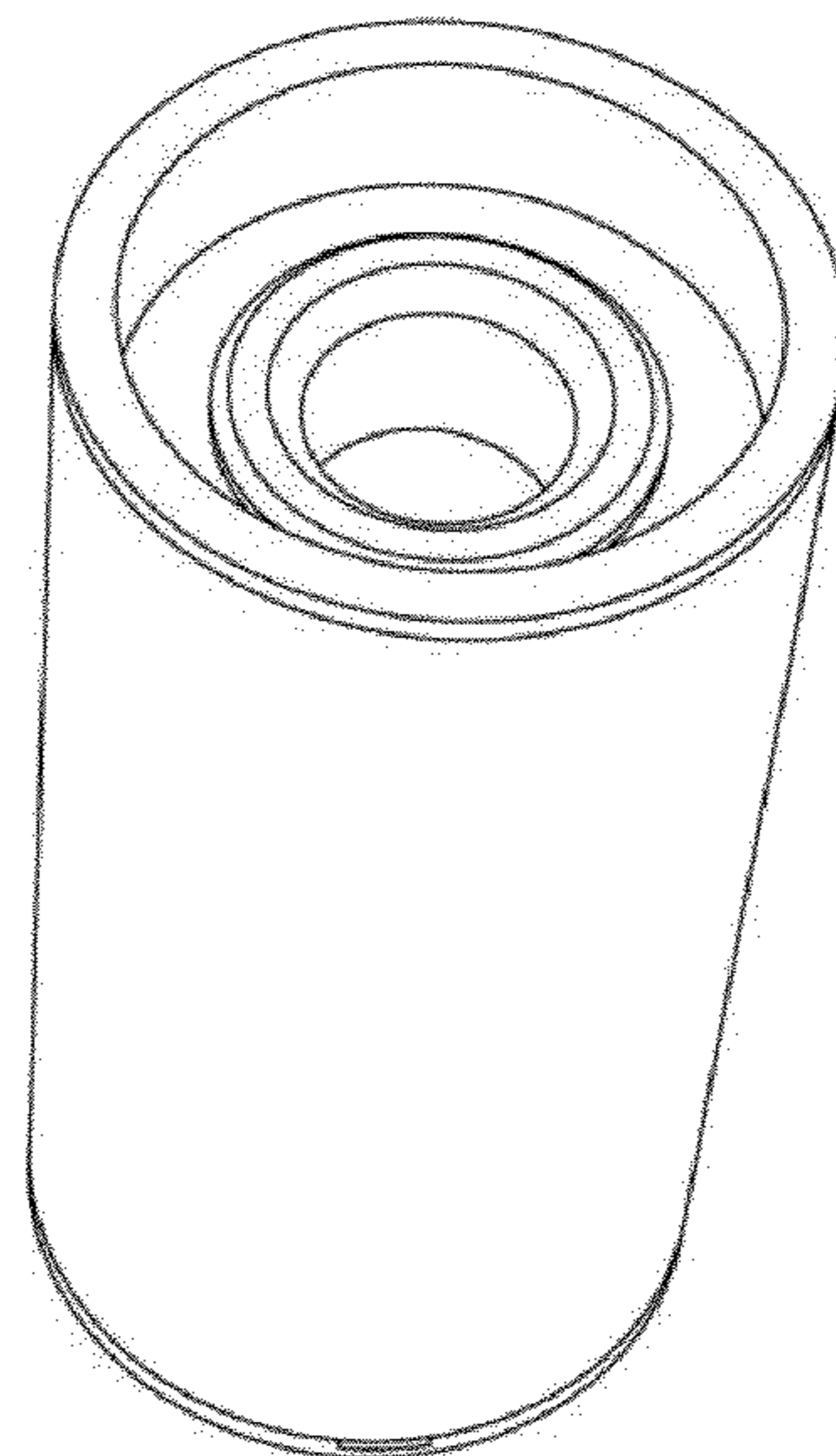
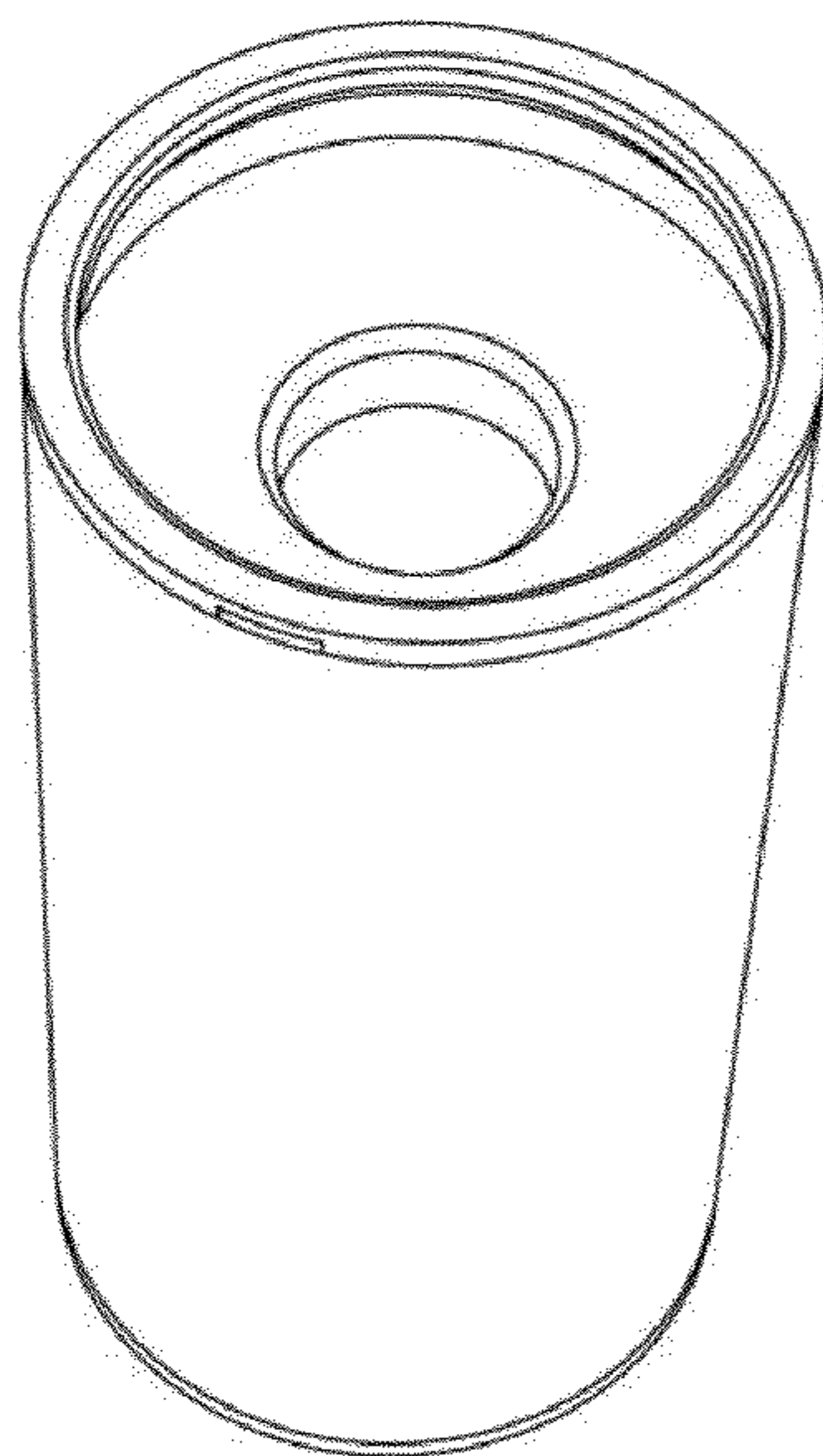
(57) **CLAIM**

The ornamental design for a tobacco vaporizer, as shown and described.

DESCRIPTION

FIG. 1 is a front elevational view of a tobacco vaporizer showing my new design;
 FIG. 2 is a rear elevational view of the tobacco vaporizer thereof;
 FIG. 3 is a left side elevational view of the tobacco vaporizer thereof;
 FIG. 4 is a right side elevational view of the tobacco vaporizer thereof;
 FIG. 5 is a top plan view of the tobacco vaporizer thereof;
 FIG. 6 is a bottom plan view of the tobacco vaporizer thereof;
 FIG. 7 is a perspective view from top of the tobacco vaporizer thereof; and,
 FIG. 8 is a perspective view from bottom of the tobacco vaporizer thereof.

1 Claim, 8 Drawing Sheets



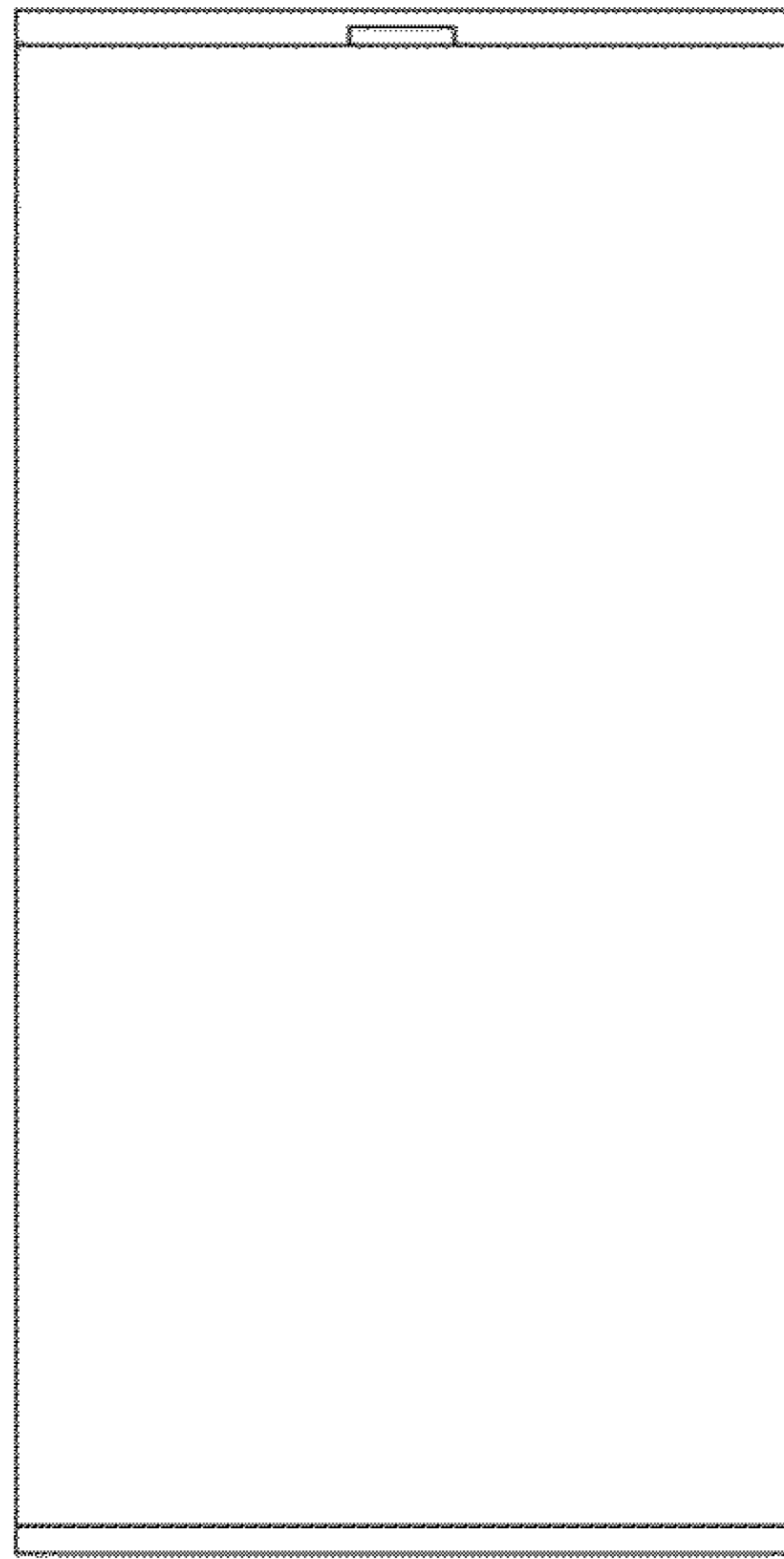


Fig.1

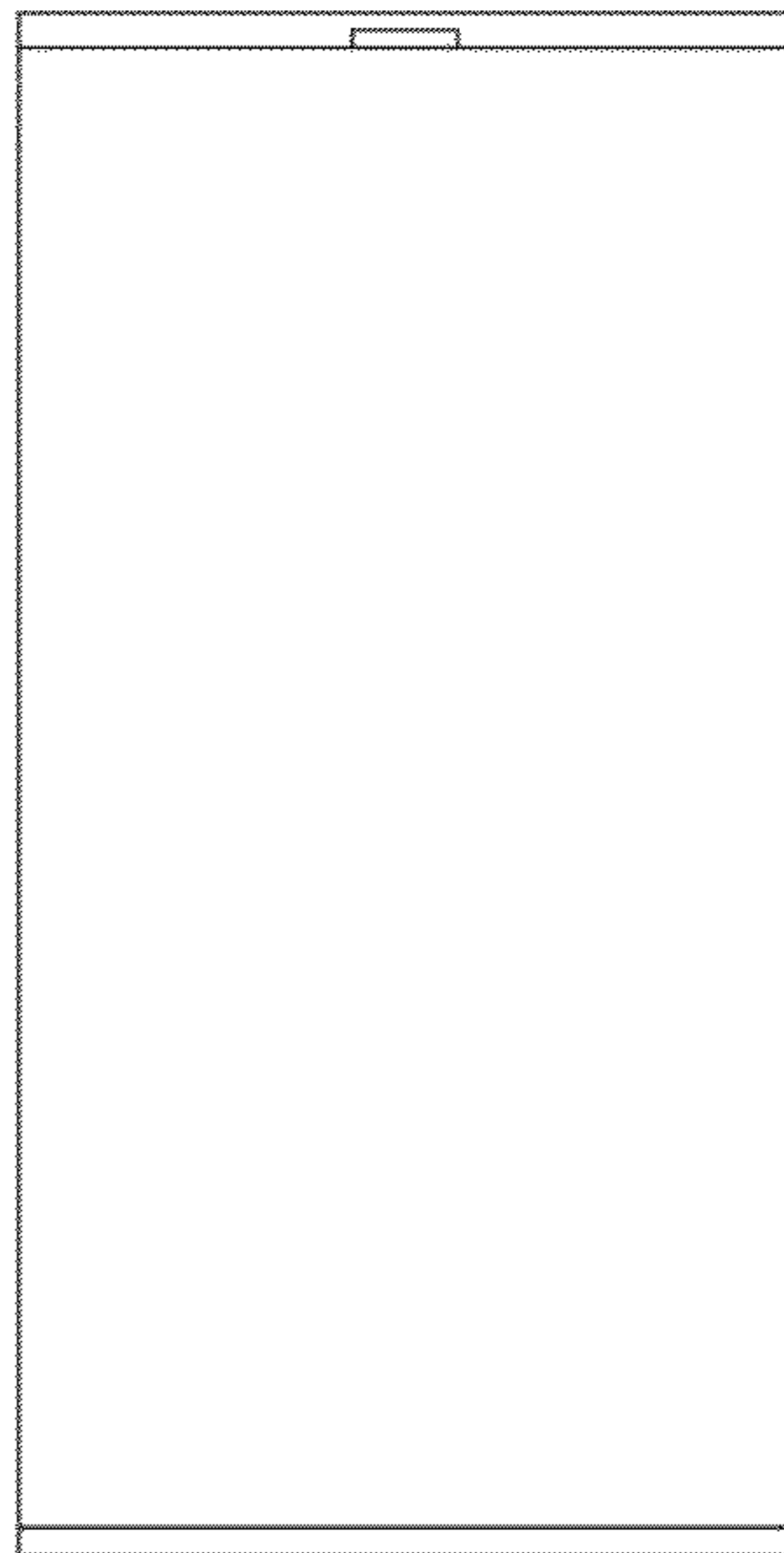


Fig.2



Fig.3

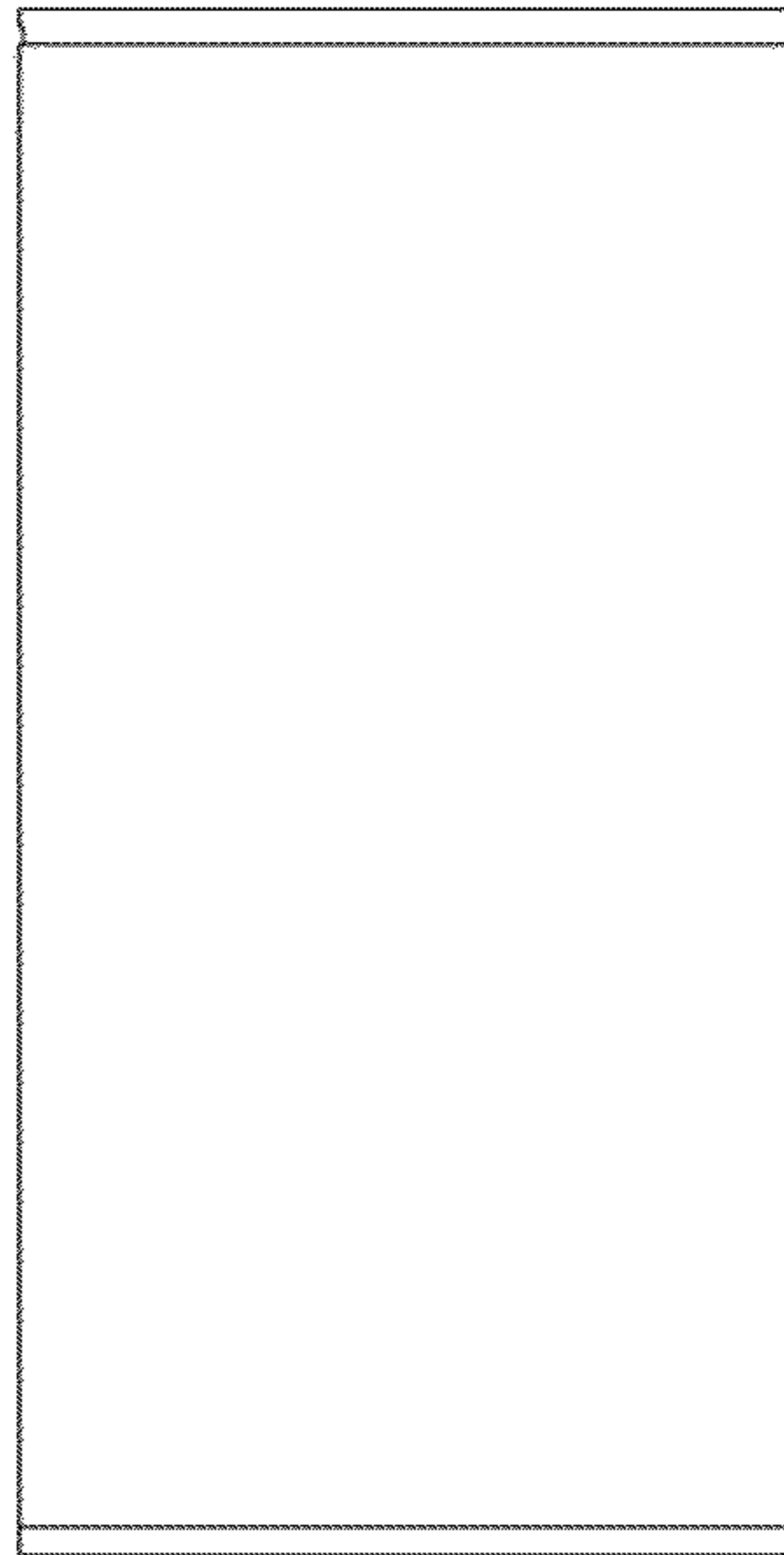


Fig.4

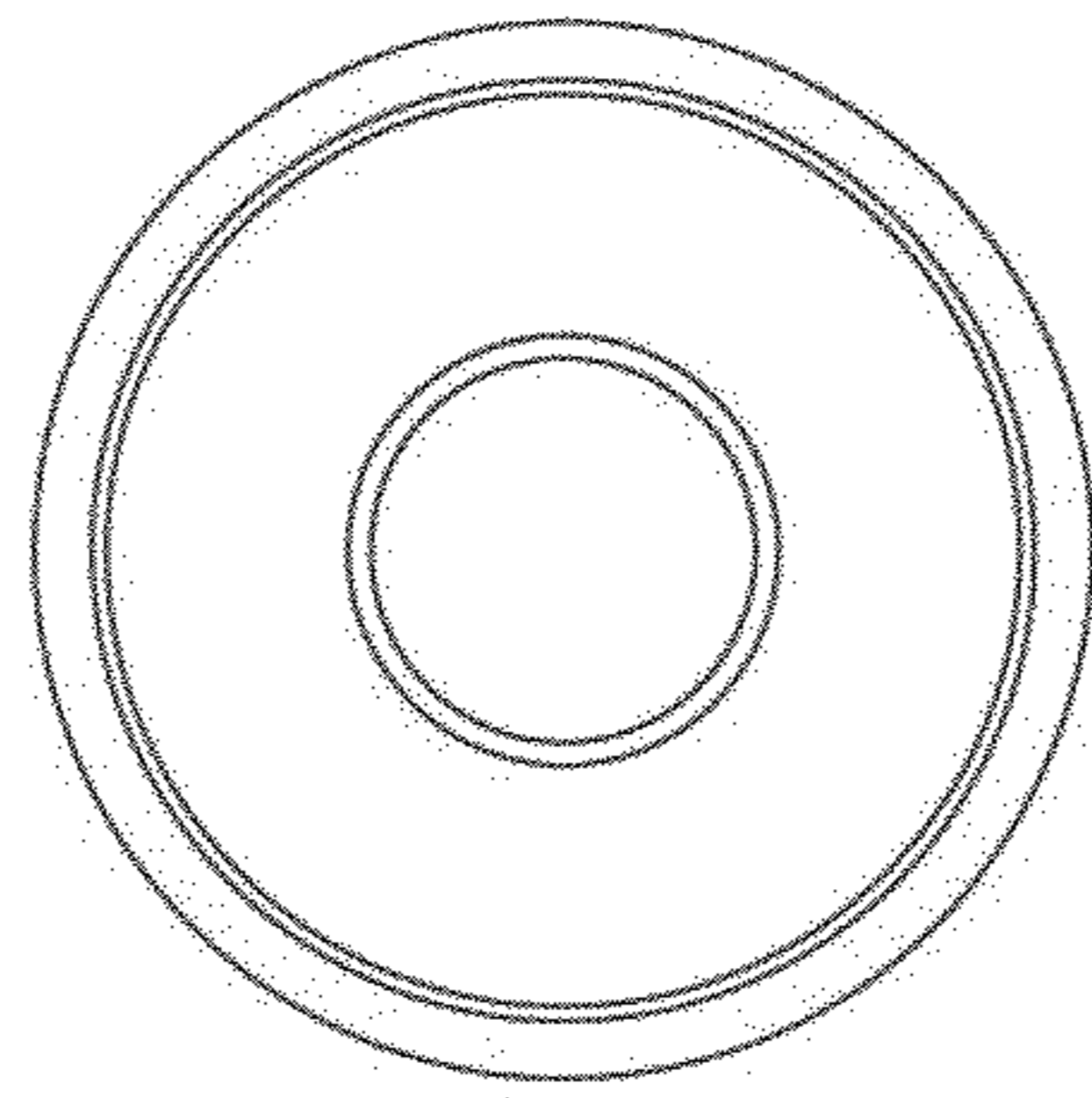


Fig.5

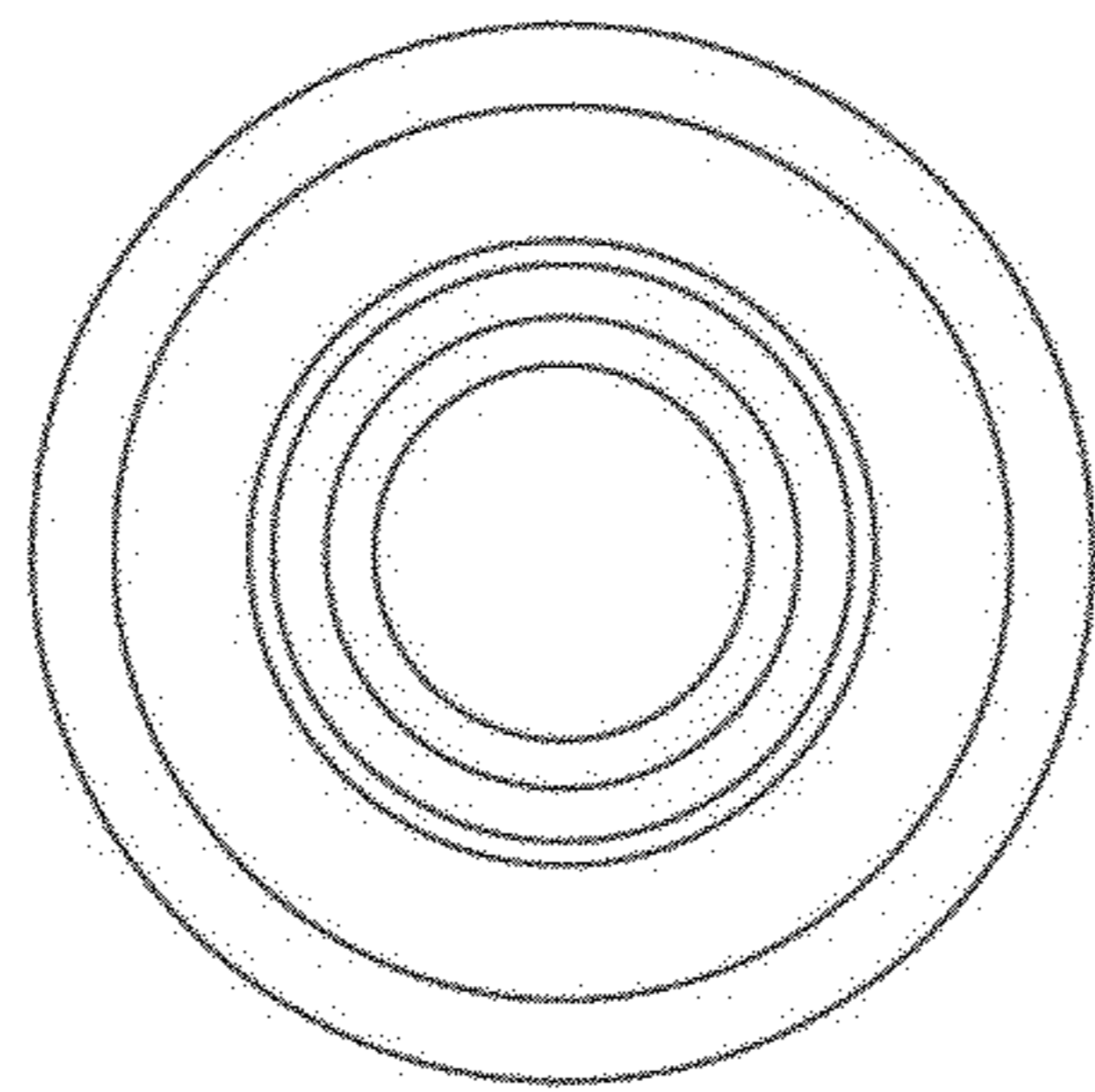


Fig.6

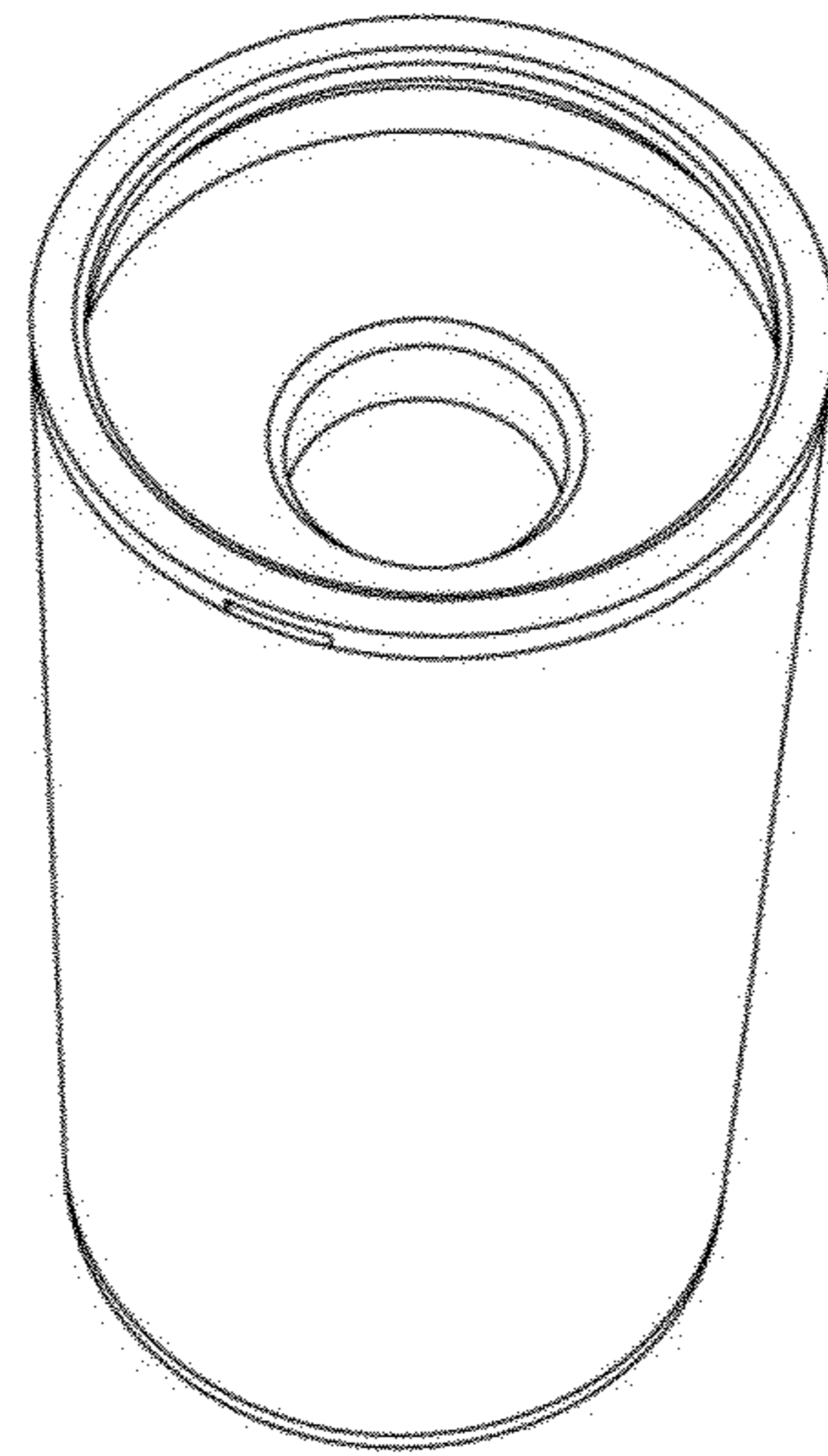


Fig.7

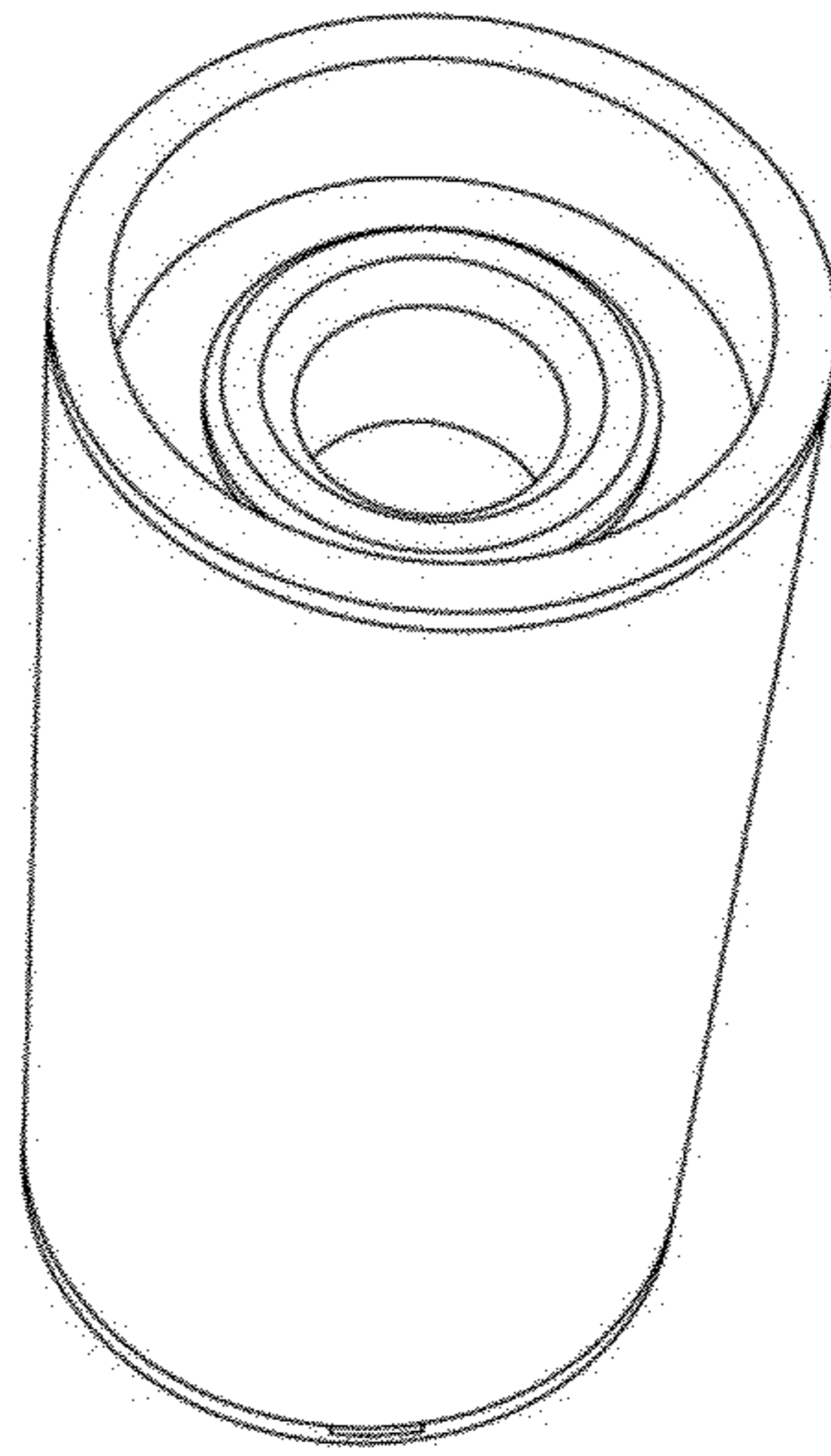


Fig.8